

OPERATING and MAINTENANCE INSTRUCTIONS

Models: 120CR1836 and 121CR1816 Moving Air Proof/Hot Cabinets

ELECTRICAL SPECIFICATIONS:

Model No.	Volts	Watts	Amps	Hertz	Phase	NEMA
120CR1836 121CR1816	120	2000	16.6	60	1	5-20P
120CR1836 240 121CR1816 240	240	2000	8.6	60	1	6-15P

HOW TO INSTALL UNIT:

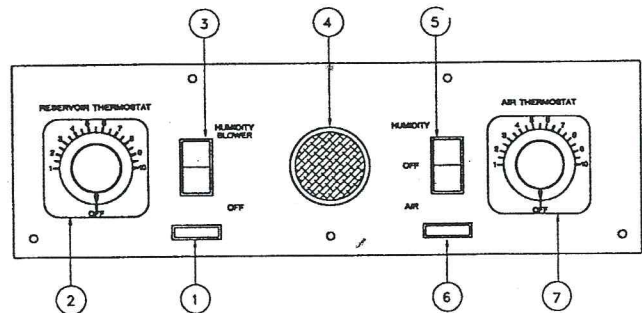
1. Put cabinet near warm ovens. Do *NOT* put in drafty areas or near ventilating systems.
2. Plug other end into proper wall outlet.
3. Fill water pan (following steps a-c).

CAUTION Use of treated or soft water may be required for proper operation and to maintain warranty.

- a. Lift off cover.
- b. Fill with 3.5 qts. (2.6 liters) water. Replace cover.
- c. Adjust vents on cover to half open.

HOW TO PROOF:

1. Fill water pan (See "How to Install Unit").
2. Push switch to "HUMIDITY."
3. Push "HUMIDITY BLOWER" switch to "OFF."
4. Turn "RESERVOIR THERMOSTAT" to No.10.
5. Preheat for 30 minutes.
6. Put fresh or *fully thawed* dough into cabinet.
NOTE: Do *NOT* put frozen dough into cabinet.
7. Turn "RESERVOIR THERMOSTAT" to No.9.
NOTE: No. 9 will give you approximately 95% humidity at 95° F (35° C).



CONTROL PANEL PARTS IDENTIFICATION

- | | |
|---------------------------|----------------------------|
| 1. Pilot Light-Reservoir | 5. Switch-Humidity/Air |
| 2. Thermostat-Reservoir | 6. Pilot Light-Air |
| 3. Switch-Humidity Blower | 7. Thermostat-Humidity/Air |
| 4. Vent Screen | |

HOW TO PROOF WITH MOVING AIR:

1. Fill water pan (See "How to Install Unit").
2. Push switch to "HUMIDITY."
3. Push "HUMIDITY BLOWER" switch to "ON."
4. Turn "RESERVOIR THERMOSTAT" to No. 10.
5. Preheat for 30 minutes.
6. Put fresh or *fully thawed* dough into cabinet.
NOTE: Do *NOT* put frozen dough into cabinet.
7. Turn "RESERVOIR THERMOSTAT" to humidity needed.
NOTE: No. 9-10 is about 95% humidity.



5925 Heisley Road
Mentor, Ohio 44060-1833
TOLL FREE 1-877-CRESCOR
(1-877-273-7267)

FAX-1-800-822-0393

www.crescor.com

Proof / Hot Cabinets	FL-1939
	Page 2 of 4

HOW TO HOLD:

1. Push switch to "AIR." The *red* indicator will light.
2. Turn "AIR THERMOSTAT" to temperature needed.

NOTE: No. 8 = approx. 175° F (79° C).
No. 6 = approx. 145° F (63° C).
No. 4 = approx. 115° F (46° C).

Proper food holding temperature is 140° F (60° C) or higher.

3. Preheat cabinet for 30 minutes.
4. Put food into cabinet.

HOW TO HOLD WITH HUMIDITY:

1. Fill water pan (See "How to Install Unit").
2. Push switch to "HUMIDITY."
3. Push "HUMIDITY BLOWER" switch to "ON."
4. Turn "AIR" and "RESERVOIR" thermostats to No. 10. This should give 150° F (66° C) and 40% humidity.
5. Preheat for 45 minutes.
6. Turn "AIR THERMOSTAT" down to temperature required.

Proper food holding temperature is 140° F (60° C) or higher.

7. Turn "RESERVOIR THERMOSTAT" to desired humidity.

NOTES: Higher numbers give higher humidity at the same temperature.

Experiment with different settings to get the exact temperature and humidity required.

Check water level in water pan if proofing or holding more than 90 minutes. Fill pan with hot water.

HOW TO TURN UNIT OFF:

Push both switches to "OFF" position.

MAINTENANCE

HOT UNIT REMOVAL INSTRUCTIONS:

1. Unplug power cord from wall outlet.
2. Remove screw from back of cabinet located just above cord.
3. Slide entire unit out the front of the cabinet.



BEFORE CLEANING THE CABINET:

1. Allow Cabinet to Cool.
2. Remove Hot Unit From Cabinet
3. Do NOT Use Abrasives or Harsh Chemicals.

Cleaning Notes:

1. Wipe up spills as soon as possible.
2. Clean cabinet regularly to avoid heavy dirt build-up
3. Make a test spot with cleaner.
4. Follow manufacturer's directions on cleaner.
5. Do not mix cleaners.
6. Avoid drips and splashes
7. Empty water pan at least once a week.



DELIME OR DE-SCALE RESER-

VOIR PARTS AS REQUIRED TO PREVENT DAMAGING BUILD-UP.

WARRANTY COVERAGE MAY BE AFFECTED WITHOUT PROPER CLEANING.



5925 Heisley Road
Mentor, Ohio 44060-1833
TOLL FREE 1-877-CRESCOR
(1-877-273-7267)

FAX-1-800-822-0393

www.crescor.com

Proof / Hot Cabinets	FL-1939
	Page 3 of 4

HOW TO CLEAN UNIT:

	Soil	Cleaner	Method
DOOR <i>(Polycarbonate)</i>	DIRT	Mild *detergent and water.	1. Wipe with soft, damp cloth. 2. Rinse well.
	GREASE and OIL	Weak, alcohol-type cleaner.	1. Wipe with soft, damp cloth. 2. Rinse well.
CABINET Inside and Outside <i>(Aluminum)</i>	DIRT	Mild *detergent and hot water, or mild abrasive cleaner.	1. Use soft, damp cloth. 2. Rinse with hot water. 3. Wipe dry
		Steam (no strong alkaline additive).	1. Rinse after steam cleaning. 2. Wipe dry.
	FINGERPRINTS, GREASE and OIL	Chemical oven cleaner for aluminum.	Follow oven cleaner manufacturer's directions.
		Mild abrasive cleaner; oily or waxy cleaner.	Apply with soft, clean cloth.
	WATER SPOTS	Mild abrasive cleaner.	1. Apply with damp cloth. 2. Rinse and dry.

**Mild detergents include soaps and non-abrasive cleaners.*

TROUBLE-SHOOTING CHART:

FAILURE:

1. Indicator lights do NOT light.
2. Unit does not heat.
3. Unit gets too hot or won't shut off.
4. Humidity is low.
5. Blower does not work or makes noise.

Possible Cause:

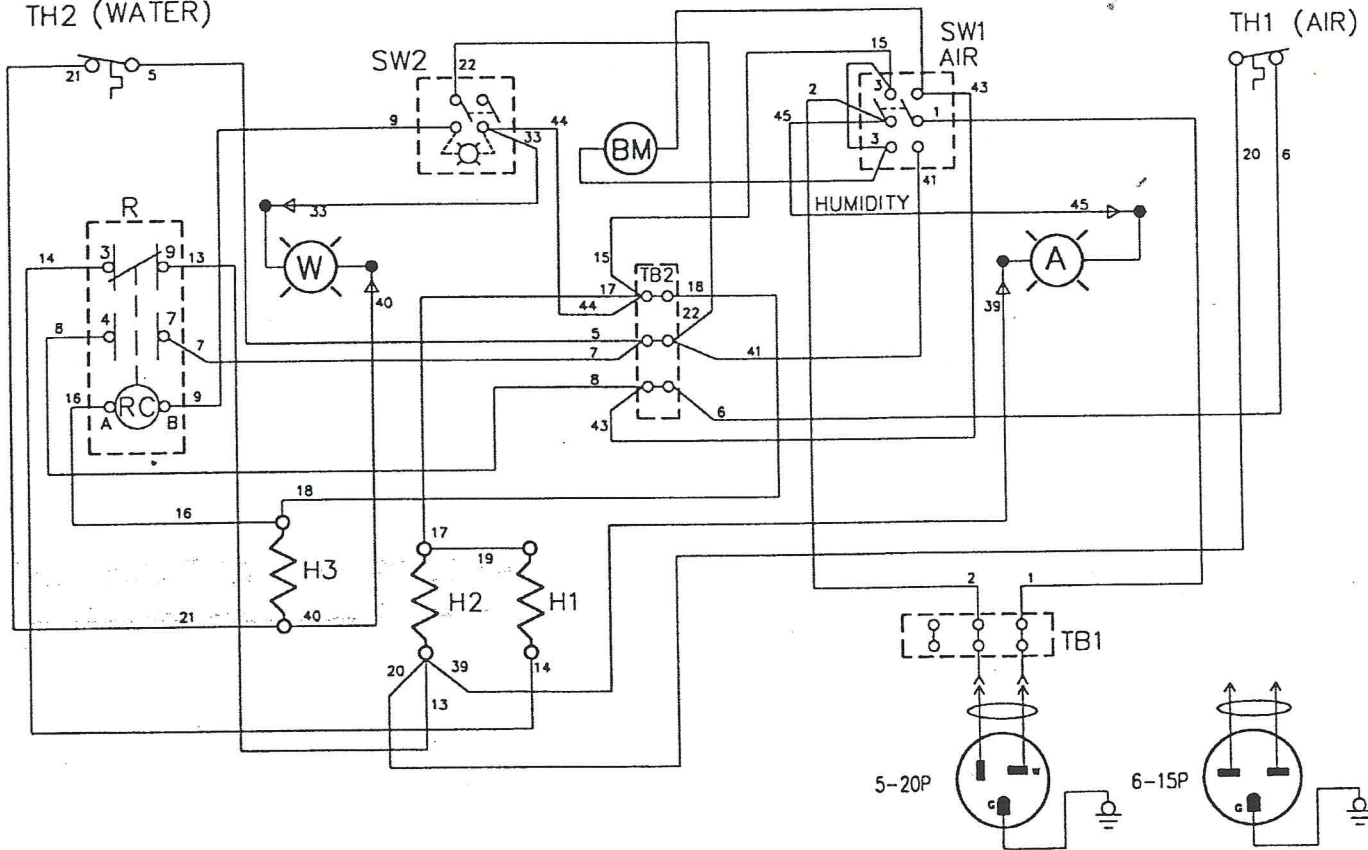
- 1a. Circuit breaker/fuse to wall outlet is blown.
- 1b. Cord is unplugged from wall outlet.
- 1c. Switch is "OFF."
- 2a. Thermostats set too low or are "OFF."
- 2b. Switch is "OFF."
- 3a. Defective electrical parts. **UNPLUG UNIT FROM WALL OUTLET.**
- 4a. Water in pan may be low.
- 4b. Thermostat set too low.
- 5a. Defective blower.

If cause is none of the above, refer to our list of Authorized Service Centers, FL-1400.

Proof / Hot Cabinets	FL-1939
	Page 4 of 4

REPLACEMENT PARTS:

DESCRIPTION	Qty.	120 Volt	240 Volt
Proof/Hot Unit	1	PHU-18-747-35	PHU-18-747-36
Heater (Reservoir)	1	0811-005-K.....	0811-015-K
Pan (Reservoir)	1	1019-002	1019-002
Heater (Air).....	2	0811-214 -K	0811-215
Thermostat Kit	2	0848-062-K.....	0848-062-K
Thermometer Kit	1	5238-018-K.....	5238-018-K
Power Cord	1	0810-093	0810-039
Indicator Lights.....	1	0766-047	0766-046
Switch (Humidity Blower)	1	0808-113-K	0808-113-01-K
Switch (Mode Selection)	1	0808-104-01-K	0808-104-01-K
Relay	1	0857-100	0857-102
Blower Kit	1	0769-180-K.....	0769-182-K
Terminal Block (TB2)		0852-063	0852-063
Terminal Block Assy. (TB1)		0978-007-B	0978-007-B
TH2 (WATER)			



LEGEND

R	RELAY	SW2	SWITCH-BLOWER
W	PILOT LIGHT-WATER	TB1 & TB2	TERMINAL BLOCKS
A	PILOT LIGHT-AIR	TH 1	THERMOSTAT-AIR
H1 & H2	HEATERS-AIR	TH 2	THERMOSTAT-WATER
H3	HEATER-WATER	5-20P	PLUG 120V. 20A.
BM	BLOWER MOTOR	6-15P	PLUG 240V. 15A.
SW1	SWITCH-AIR-HUMIDITY	△	SLEEVEING

ELECTRICAL SPECS.

MODEL #0747-035
120V, 2000W, 1Ph, 50/60Hz

MODEL #0747-036
240V, 2000W, 1Ph, 50/60Hz