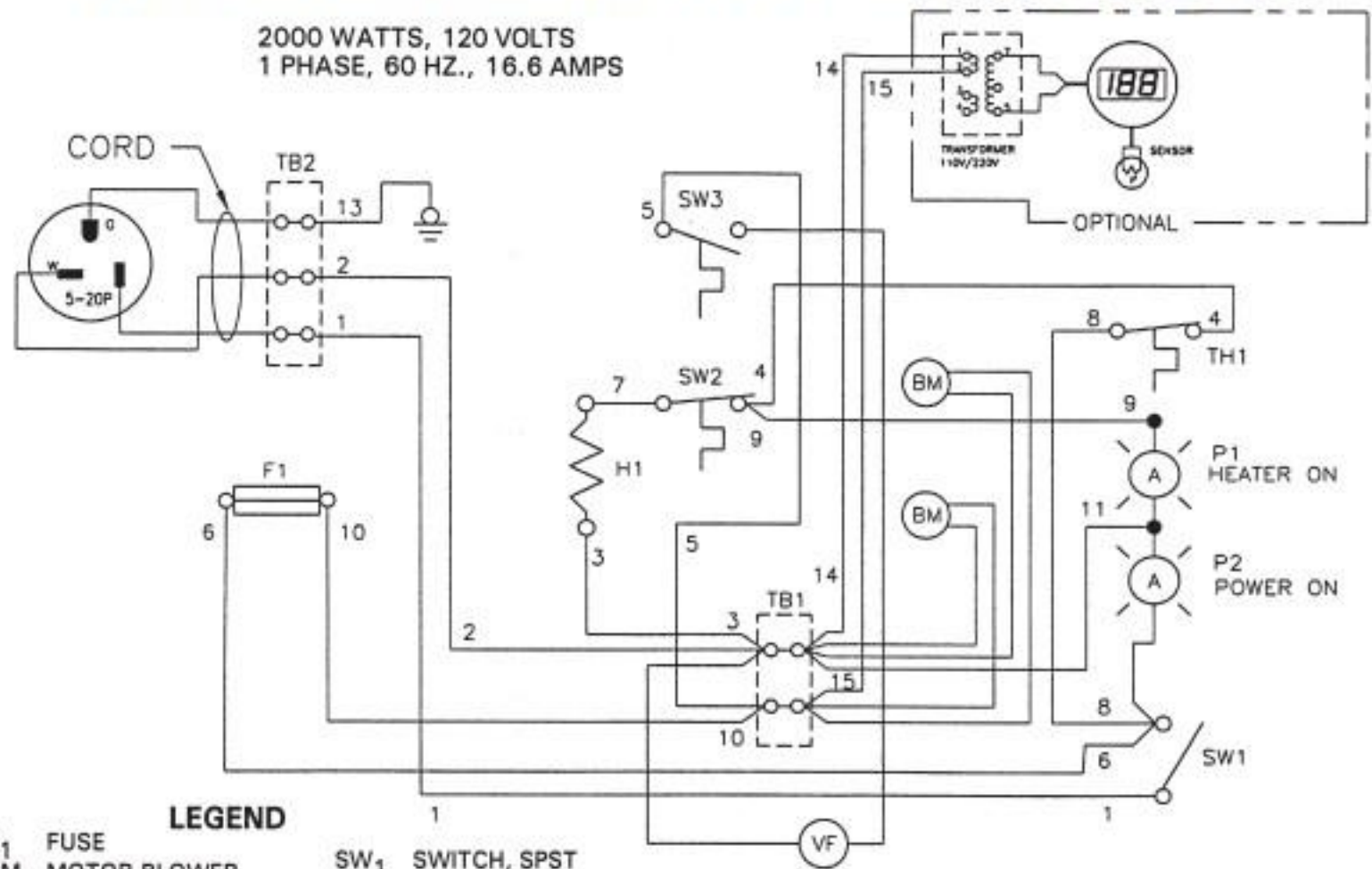


WIRING DIAGRAM FOR THE 1000 WATT 110V/220V

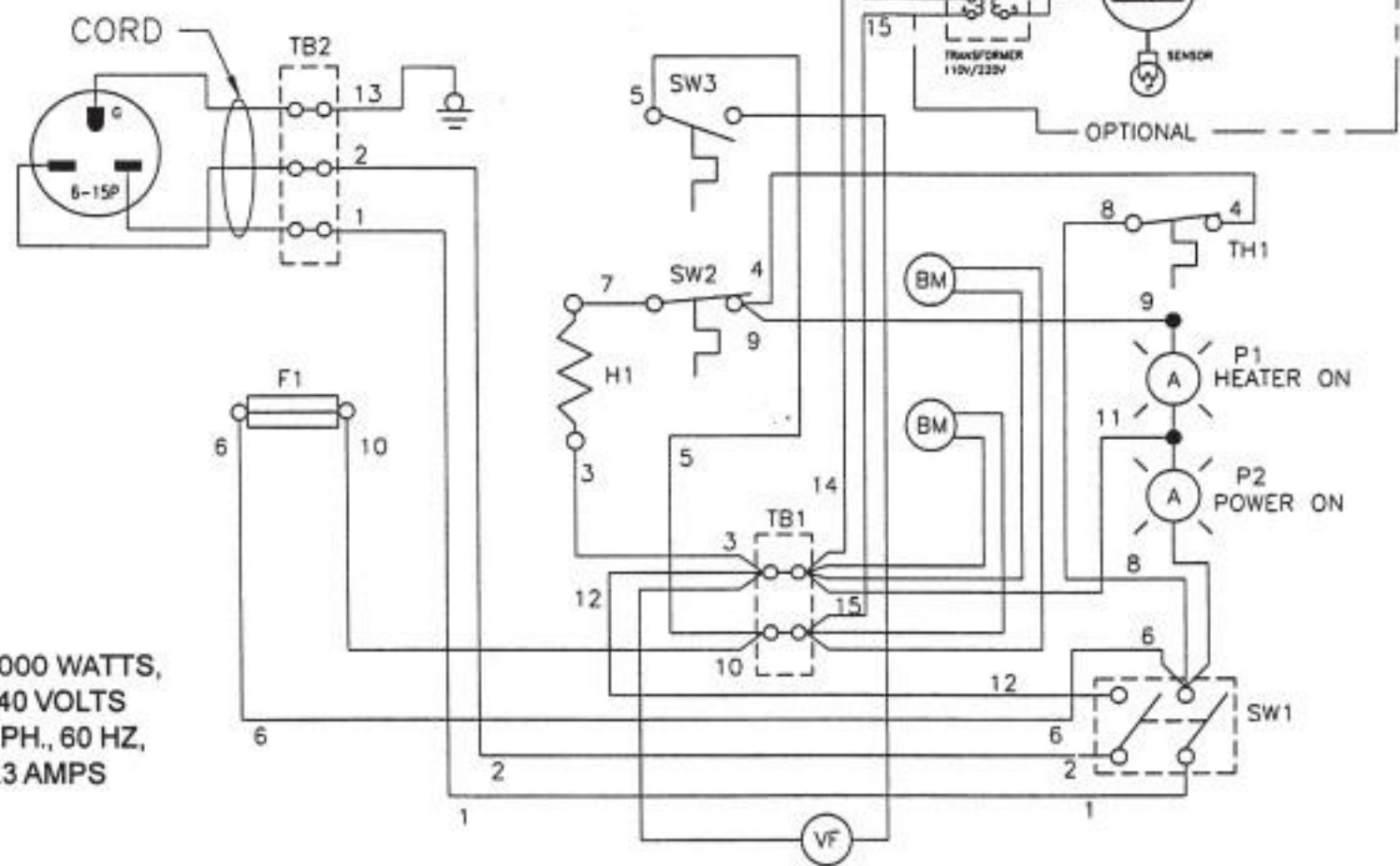
2000 WATTS, 120 VOLTS
1 PHASE, 60 HZ., 16.6 AMPS



LEGEND

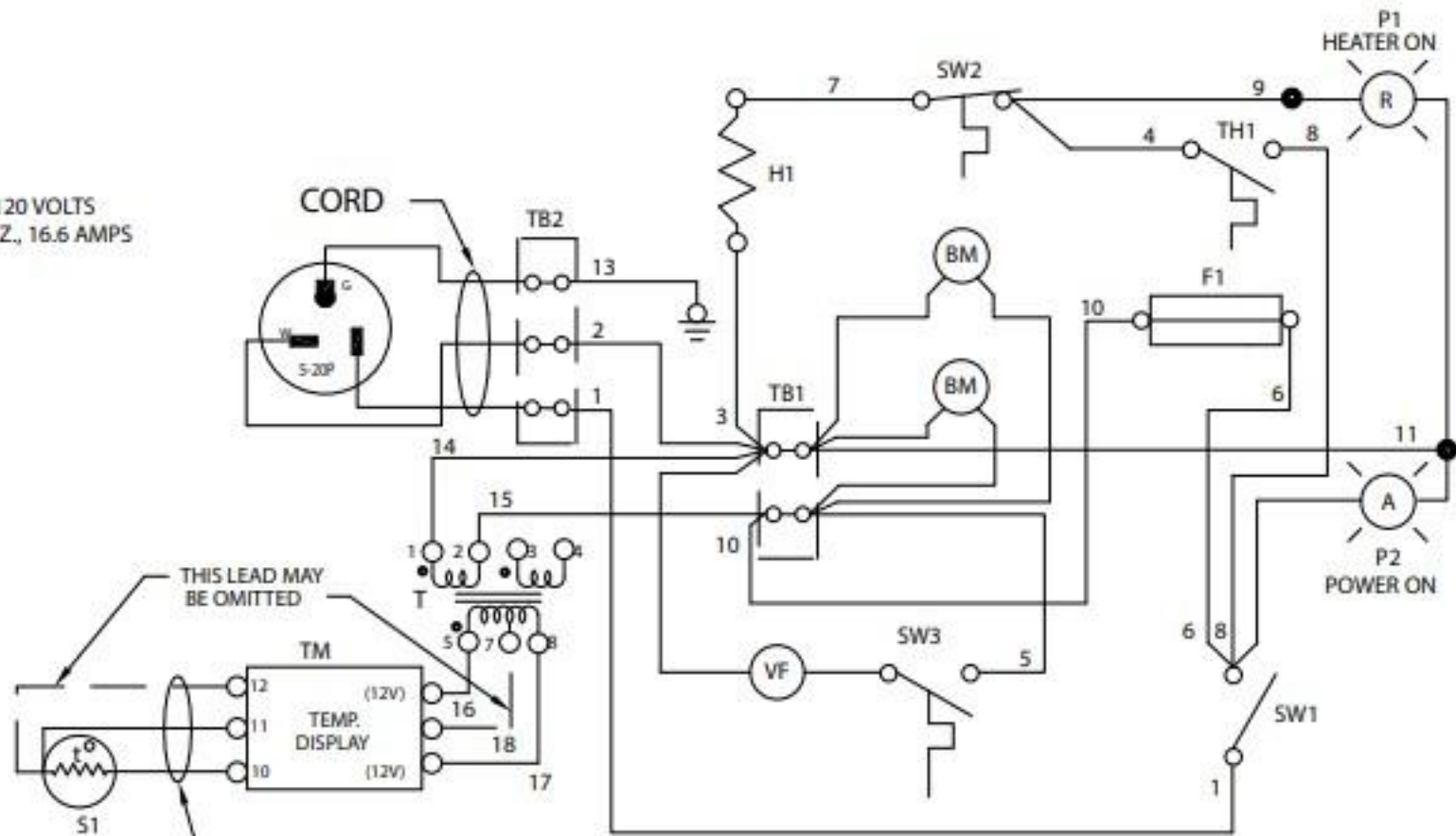
- F₁ FUSE
- BM MOTOR BLOWER
- SW₁ SWITCH, SPST

PS	POWER ON	TB ₂	TERMINAL BLOCK, Rear
S1	SENSOR	TD	TEMPERATURE DISPLAY
		VF	VENT FAN
		Δ	SLEEVING



2000 WATTS,
240 VOLTS
1 PH., 60 HZ,
8.3 AMPS

2148 WATTS, 120 VOLTS
1 PHASE, 60 HZ., 16.6 AMPS



0815-022-06
SLEEVING

P1
HEATER ON

