

OPERATING and MAINTENANCE INSTRUCTIONS
For INSULATED HAND-LIFT CABINETS; MODEL H-339 “C” SERIES

ELECTRICAL SPECIFICATIONS:

MODEL	Volts	Watts	Amps	Hertz	Phase	NEMA
H-339 -128C, 188C, 12-188C, 1813-C, UA-8C, 12-135C	120	900	7.5	60	1	5-15
H-339- 128C-240, 188C-240, 12-188C-240, 1813C-240, UA-8C-240, 12-135C	240	900	3.8	60	1	6-15

Above model numbers may include letters: M, L, P, S, SS or Z.

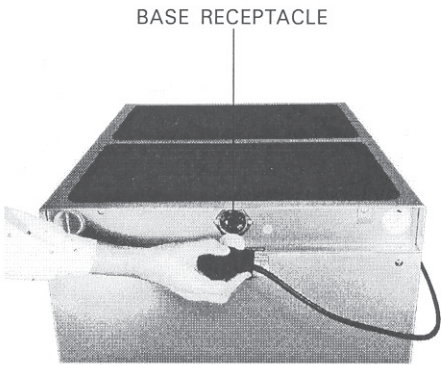


FIGURE 1

HOW TO INSTALL UNIT: (Figure 1)

1. Plug cord into receptacle in back of the unit.
2. Turn plug clockwise to lock.
3. Plug other end into 15-amp wall outlet.
4. Place cabinet in a well ventilated area.
5. Push the switch on, turn the thermostat to No. 10 and run the unit for one hour.

NOTE: DO NOT PUT IN FOOD! This step is to burn off manufacturing oils and excessive adhesive.

6. Let the cabinet cool and wipe inside clean with detergent and hot water before use.

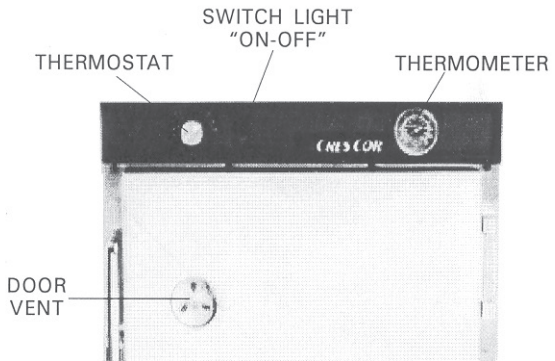


FIGURE 2

HOW TO OPERATE UNIT: (Figure 2)

1. Push switch “ON”. Yellow light will come on.
2. Turn thermostat to the temperature you need.

NOTE: No. 7½ setting will give you about 180° F (82°C). Proper food holding temperature is 140° F (60°C) or higher.

3. Preheat cabinet for 45 minutes
4. Put food into cabinet.
5. Turn the wing nut on the door vent to open the vent when less humidity is needed.

To Turn Off Unit:

Push switch “OFF”. The yellow light will go off.

NOTE: Optional digital thermometer will flash if cabinet temperature is below 140°F or above 250°F. Call the factory if you need different settings.

OPERATING and MAINTENANCE INSTRUCTIONS

For INSULATED HAND-LIFT CABINETS; MODEL H-339 “C” SERIES

! WARNING

BEFORE CLEANING CABINET:

1. Remove Power Cord from cabinet.
2. Do NOT hose cabinet with water.
3. Do NOT get water on controls.
4. Do NOT use abrasives or harsh chemicals.

Hints:

1. Wipe up spills as soon as possible.
2. Clean cabinet regularly to avoid heavy dirt build-up.
3. Make a test spot with cleaner.
4. Follow manufacturer’s directions on cleaner.
5. Do not mix cleaners
6. Avoid drips and splashes.
7. Do not use Cres Clean on plastics and labels.

HOW TO CLEAN UNIT:

	SOIL	CLEANER	METHOD
CABINET Inside and Outside	DIRT	Mild detergent* and hot water, or mild abrasive cleaner.	1. Use soft, damp cloth. 2. Rinse with hot water. 3. Wipe dry.
		Steam (no strong alkaline additive)	1. Rinse after steam cleaning. 2. Wipe dry.
	FINGERPRINTS, GREASE OIL	Detergent* and hot water.	1. Wipe with soft, damp cloth. 2. Rinse with hot water. 3. Wipe dry.
		Chemical oven cleaner.	Follow oven cleaner manufacturer’s directions.
		Mild abrasive cleaner. Oily or waxy cleaner.	Apply with soft, clean cloth.
	WATER SPOTS	Mild abrasive cleaner.	Wipe with damp cloth.

** Mild detergents include soaps and non-abrasive cleaners*

HOW TO REVERSE DOOR HARDWARE

FOR OPPOSITE HAND (Refer to Fig. 3 [hinge]):

1. Pop off hinge covers with screwdriver.
2. Remove screws from hinges to cabinet; remove door and unscrew latch strike from cabinet.
3. Remove hinges, latch and all remaining screws from the right and left side of door. Keep all screws.
4. Re-mount hinges and latch in the same hole pattern on the opposite sides of the door. Plug all extra holes with screws.
5. Remove all screws from the front sides of cabinet (not the top and bottom).
6. Hold door up to cabinet and screw hinges to the cabinet.
7. Open door and re-mount the latch strike to cabinet.
8. Plug all extra holes with screws and snap on the hinge covers.

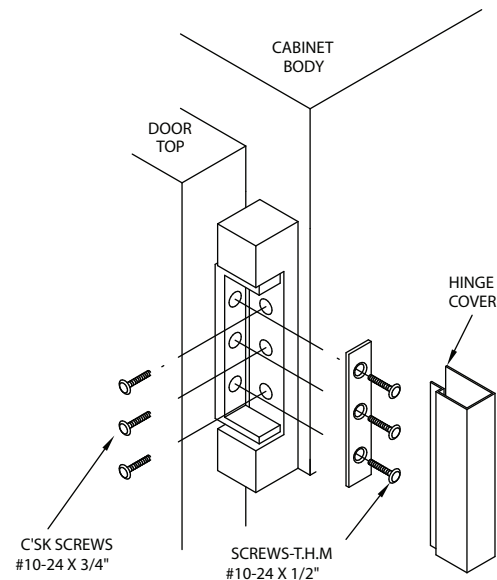


FIGURE 3

OPERATING and MAINTENANCE INSTRUCTIONS

For INSULATED HAND-LIFT CABINETS; MODEL H-339 “C” SERIES

HOW TO ADJUST THE DOOR LATCH:

1. For vertical adjustment
(Up and down movement):
 - a. Loosen (2) screws located in magnetic strike on cabinet.
 - b. Move strike up or down for alignment to magnet on latch.
 - c. Tighten screws to secure
2. For horizontal adjustment
(Greater or lesser magnetic draw):
 - a. Loosen four (4) screws in latch on door.
 - b. Move latch forward or backward to adjust magnetic draw.
 - c. Tighten screws to secure.

TROUBLE-SHOOTING CHART

FAILURE	POSSIBLE CAUSE/CHECK
1. Unit does not heat:	1a. Thermostat turned up.
	1b. Switch is “ON”.
	1c. Cord is plugged into outlet.
	1d. Circuit breaker/fuse for wall outlet
2. Unit will not turn off:	2a. Thermostat turned down.
	2b. Switch is “OFF”

If cause is none of the above, refer to our list of authorized service agencies, FL-1400.



REPLACEMENT PARTS

	120V	240V
Cabinet Receptacle.....	0713-011	0713-012
Cord Set	0810-149-01-K	0810-150-01
H-339-12-135C ONLY	0810-029	0810-039
Switch	0808-113-K	0808-113-01-K
Heater Kit.....	0811-066-K	0811-066-1K
Thermostat	0848-008-ACK	0848-008-ACK
Thermostat (before 2011).....	0848-062-K	0848-062-K
Terminal Block.....	0852-091	0852-091
Thermometer.....	5238-030-K	5238-030-K
Door Latch Kit	1006-122-01-K	1006-122-01-K
H-339-12-135C ONLY	1006-142-01-K	1006-142-01-K
Strike Kit.....	1006-122-02-K	1006-122-02-K
H-339-12-135C ONLY	1006-142-02-K	1006-142-02-K
Hinge Kit.....	0519-074-K	0519-074-K
Gasket Kit	0861-077	0861-077
Casters.....	0569-306-K	0569-306-K
Casters w/Brake	0569-306-BK	0569-306-BK
Legs (H-339-12-135C).....	1206-025	1206-025
Transport Latch Kit.....	1246-025-K	1246-025-K

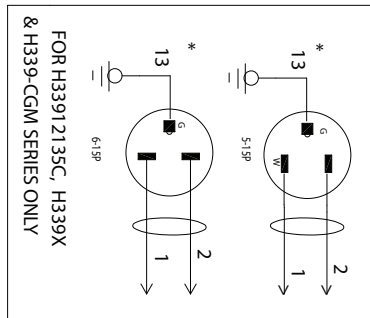
KIT NUMBERS FOR H-339 MODELS						
Description	-UA-8C	-12-135C	-128C	-188C	12-188C	-1813C
Door Kit	5508-085-K*	5508-087-K*	5508-083-K*	5508-084-K*	5508-084-K*	5508-084-K*
Rack Insert	0621-281-K	1104-085-K	1170-129	1170-130	1170-122	1137-130-03

*Add Suffix “SS-K” for stainless steel door.

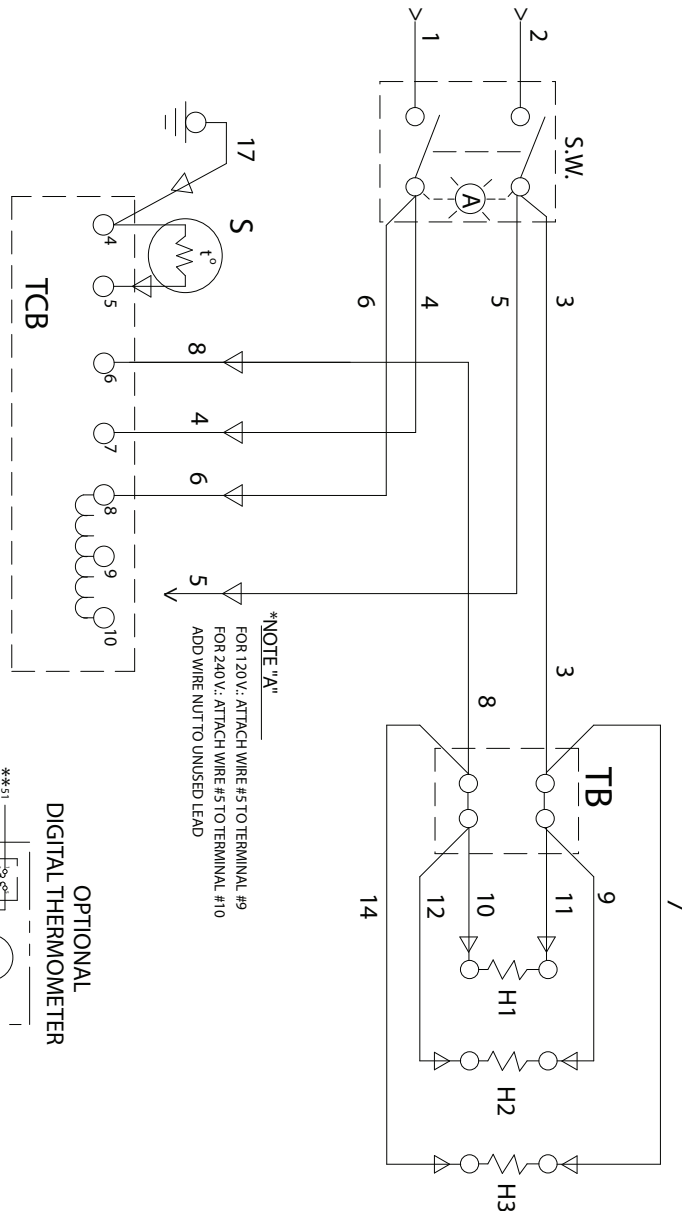
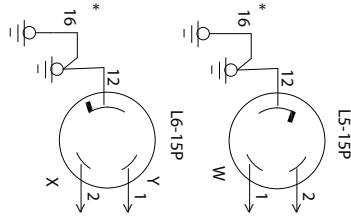
Insulated Hand-lift Cabinet	FL-0520
Rev. 39 (12/15)	Page 4 of 4

OPERATING and MAINTENANCE INSTRUCTIONS

For INSULATED HAND-LIFT CABINETS; MODEL H-339 "C" SERIES



* WIRE # 13 GROUND TO INNER BODY



*NOTE "A"
 FOR 120V: ATTACH WIRE #5 TO TERMINAL #9
 FOR 240V: ATTACH WIRE #5 TO TERMINAL #10
 ADD WIRE NUT TO UNUSED LEAD

ITEM	DESCRIPTION
H1	HEATER-80/100W
H2&3	HEATER-RIGHT & LEFT SIDE
L5-1SP	FLANGED INLET/120V, 1.5A
L6-1SP	FLANGED INLET/220V, 1.5A
S	SENSOR-AIR
S.W.	SWITCH-POWER (LIGHTED)
TB	TERMINAL BLOCK
TCB	THERMOSTAT
	REWIRING (12-PLACES)

