

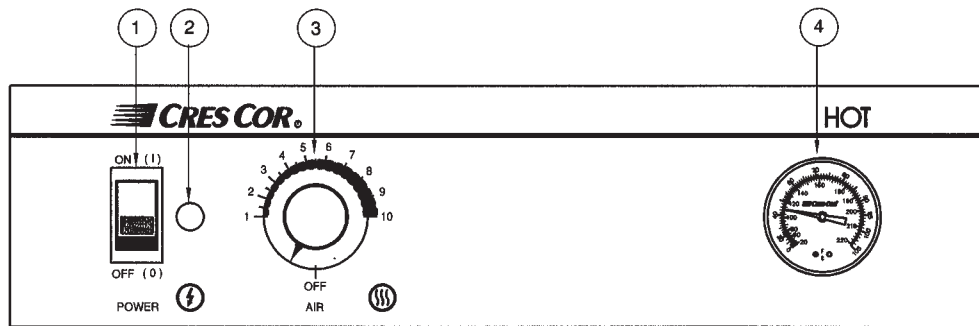
## OPERATING and MAINTENANCE INSTRUCTIONS

### H135UA11 Hot Cabinet (Aluminum)

### H135SUA11 Hot Cabinet (Stainless Steel)

Model No.	Volts	Watts	Amps	Hertz	Phase	NEMA
H135UA11 H135SUA11	120	1500	12.3	60	1	5-15P
H135UA11240 H135SUA11240	240	1500	6.1	60	1	6-15P

All are designed for AC service. The above model numbers may be followed by “M”, “L”, “D”, “R” and ending with “S” or “Z”.



#### CONTROL PANEL PARTS IDENTIFICATION

1. Power Switch
2. Yellow Light-Power
3. Thermostat
4. Thermometer

#### HOW TO INSTALL UNIT:

1. Place cabinet near warm ovens. Do *NOT* put in drafty areas or near ventilating systems.
2. Plug cord end into proper wall outlet.

**NOTE:** No. 8 setting = approx. 190°F (88°C)

No. 6 setting = approx. 165°F (74°C)

Proper food holding temperature is 140°F (60°C) or higher. The thermometer shows the temperature inside.

#### HOW TO START UNIT:

1. Turn the POWER switch on. The *yellow* light will turn on.
2. Turn thermostat to #10.
3. Preheat cabinet for 30 minutes.
4. Put food into cabinet.
5. Turn thermostat to #8 and close door.

#### TO TURN OFF UNIT:

1. Turn thermostat off.
2. Turn the POWER switch off.
3. The *yellow* light will go out.

## OPERATING and MAINTENANCE INSTRUCTIONS



### H135UA11 Hot Cabinet (Aluminum)

### H135SUA11 Hot Cabinet (Stainless Steel)

## MAINTENANCE

### HOT UNIT REMOVAL INSTRUCTIONS:

1. Unplug power cord from wall outlet.
2. Pull entire unit out the front of the cabinet.

	<b>WARNING</b>	
RISK OF FIRE OR ELECTRIC SHOCK DO NOT OPEN		
WARNING: TO REDUCE THE RISK OF FIRE OR ELECTRIC SHOCK,  DO NOT REMOVE COVER (OR BACK)  NO USER-SERVICEABLE PARTS INSIDE  REPAIR SHOULD BE DONE BY AUTHORIZED SERVICE PERSONNEL ONLY		

### HOW TO CLEAN THE CABINET:

 **WARNING** *BEFORE* cleaning the cabinet:

1. Allow cabinet to cool.
2. Remove Hot unit from cabinet.
3. Do NOT use abrasives or harsh chemicals.

### Cleaning Notes:

1. Wipe up spills as soon as possible.
2. Clean cabinet regularly to avoid heavy dirt build-up.
3. Make a test spot with cleaner.
4. Follow manufacturer's directions on cleaner.
5. Do not mix cleaners.
6. Avoid drips and splashes.

### HOW TO CLEAN UNIT:

	Soil	Cleaner	Method
DOORS Vinyl (Out) Aluminum (In)	Dirt, Grease and Oil	Mild Detergent* and water.	1. Wipe with soft, damp cloth. 2. Rinse well.
CABINETS (H137UA11 is Aluminum) (H137SUA11 is Stainless Steel)	Dirt	Mild detergent* and hot water, or mild abrasive cleaner.	1. Use soft, damp cloth. 2. Rinse with hot water. 3. Wipe dry.
		Steam (No strong alkaline additive)	1. Rinse after steam cleaning. 2. Wipe dry.
	Fingerprints, Grease and Oil	Chemical oven cleaner for cabinet material	Follow oven manufacturer's directions
		Mild abrasive cleaner; oily or waxy cleaner	Apply with clean, soft cloth. Wipe with damp cloth.
Water Spots	Mild abrasive cleaner. Oily of waxy cleaner.	Apply with soft, clean cloth. Wipe with damp cloth.	

## OPERATING and MAINTENANCE INSTRUCTIONS

### H135UA11 Hot Cabinet (Aluminum)

### H135SUA11 Hot Cabinet (Stainless Steel)

#### TROUBLE-SHOOTING CHART:

FAILURE	POSSIBLE CAUSE
1. <i>Yellow</i> light at switch does NOT light.	1a. Circuit breaker/fuse to wall outlet is blown. 1b. Cord is unplugged from wall outlet. 1c. Switch is “OFF”.
2. Unit does not heat.	2a. Thermostat set too low or is “OFF”. 2b. Switch is “OFF”.
3. Unit gets too hot or won’t shut off.	3a. Defective electrical parts. <b>UNPLUG UNIT FROM WALL OUTLET.</b>
4. Blower does not work or makes noise.	4a. Defective blower.

**NOTE:** Optional digital thermometer will flash if cabinet temperature is below 140° F or above 250° F.  
Call the factory if you need different settings.  
If cause is none of the above, refer to our list of Authorized Service Centers, FL-1400.

#### REPLACEMENT PARTS:

##### DESCRIPTION

##### 120 VOLT

##### 240 VOLT

Hot Unit (H35UA11)  
Hot Unit (H135SUA11)  
Blower Kit  
Heater Kit  
Thermostat Kit  
Thermometer Kit (Analog)  
Power Cord  
Power Switch  
Power Light  
Terminal Block

HU-1254-058  
HU-1254-062  
0769-180-K  
0811-019-K  
0848-062-K  
5238-030-K  
0810-029  
0808-116-K  
0766-094  
0852-091

HU-1254-059  
HU-1254-063  
0769-182-K  
0811-020-K  
0848-062-K  
5238-030-K  
0810-039  
0808-116-K  
0766-095  
0852-091

##### CABINET

##### W/BLACK FRAME

##### W/O BLACK FRAME

Door Assembly, Aluminum  
Door Assembly, Red  
Door Assembly, Stainless Steel  
Door Gasket  
Door Latch  
Door Hinge  
Pan Slides

1200-495-BL-K  
1200-499-BL-K  
-  
0861-259-K  
1006-154-01-K  
0519-104-K  
0621-281-K

1221-571-K  
1221-571-RK  
1221-571-SS  
0861-271-K  
1006-154-01-K  
0519-104-K  
0621-281-K

Hot Cabinets	<b>FL-2328</b>
Rev. 4 (3/13)	Page 4 of 4



5925 Heisley Road • Mentor, OH 44060-1833

## OPERATING and MAINTENANCE INSTRUCTIONS

### H135UA11 Hot Cabinet (Aluminum)

### H135SUA11 Hot Cabinet (Stainless Steel)

#### WIRING DIAGRAM:

