



5925 Heisley Road • Mentor, OH 44060-1833

Holding Cabinet	FL-2331-DOM
Rev. 10 (12/11)	Page 1 of 8

OPERATING and MAINTENANCE INSTRUCTIONS

Models: H138NPSCDOMMQ Series Hot Cabinet



H138NPSCDOM2MQ



H138NPSCDOM3MQ

Cabinet model number: _____

Cabinet serial number: _____

Authorized Service Agency: _____

Ph: _____ Fax: _____

Keep this manual for future reference.

Holding Cabinet	FL-2331-DOM
Rev. 10 (12/11)	Page 2 of 8

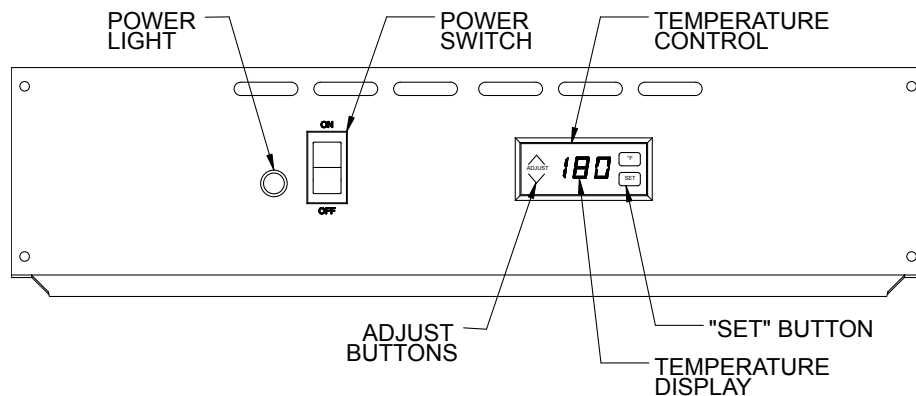
OPERATING and MAINTENANCE INSTRUCTIONS

Models: H138NPSCDOM Series Hot Cabinet

ELECTRICAL SPECIFICATIONS:

Model No.	Volts	Watts	Amps	Hertz	Phase	NEMA
H138NPSCDOM2	120	1400	11.7	60	1	5-15P
H138NPSCDOM3	120	2000	16.6	60	1	5-20P

Note: The above model numbers are basic models. They may be followed by letters: **GA, L, R, 2M, D**, or ending with **S**.



INSTALLATION:

1. Remove all paper and packing material from inside of cabinet.
2. Remove protective paper and vinyl material from outside surfaces of cabinet.
3. Place the cabinet in a well-ventilated area.
4. Place cabinet on level floor.
5. Plug cord end into proper wall outlet.

FIRST TIME START-UP:

1. Push the POWER switch to "ON", and run the unit for one hour.

NOTE: DO NOT PUT FOOD INTO CABINET!

This step is to burn off manufacturing oils and excess adhesive.

2. Let the cabinet cool and wipe inside clean with detergent and hot water before first use.

HOW TO HOLD:

1. Push POWER switch to "ON." POWER LIGHT will come on.
2. The control is preset to maintain an average of 180°F. Displayed temperatures will change during loading and unloading of product
3. Put product into cabinet.

NOTE: Proper food holding temperature is 140°F/60°C or higher.

WARNING Air is **VERY HOT** when door is opened.

WARNING
Blower inlet guard must be in place before operating cabinet.

MAINTENANCE INSTRUCTIONS

WARNING

BEFORE cleaning the cabinet:

1. **Unplug the cabinet from the wall.**
2. **Allow cabinet to cool.**

CAUTION

1. Do **NOT** use abrasives (steel wool) or harsh chemicals (chlorine, bromine, iodine or ammonia).
2. Do **NOT** use a water sprayer (pressure sprayer) to clean the cabinet.

Cleaning hints:


1. Wipe up spills as soon as possible.
2. Clean cabinet daily to avoid heavy dirt build-up.
3. Make a test spot with cleaner:
 - a) Follow manufacturer's directions on cleaner.
 - b) Do not mix cleaners.
 - c) Avoid drips and splashes.

HOW TO CLEAN THE UNIT:

	Soil	Cleaner	Method
CABINET Inside and Outside (Stainless Steel)	DAILY CLEANING	Mild detergent and hot water.	1. Sponge on with cloth. 2. Rinse with water. 3. Wipe dry.
	STUBBORN SPOTS AND STAINS	Mild abrasive made for stainless steel.	1. Apply with damp sponge or cloth. 2. Rub lightly. 3. Rinse with water and wipe dry.
	BURNT-ON FOODS OR GREASE	Chemical oven cleaner for stainless steel.	Follow oven cleaner manufacturer's directions.
	HARD WATER SPOTS and SCALE	Vinegar	1. Swab or wipe with cloth. 2. Rinse and dry.


**Mild detergents include soaps and non-abrasive cleaners.*

Note: Gaskets are removable for cleaning.



WARNING

RISK OF FIRE OR ELECTRIC SHOCK
DO NOT OPEN



WARNING: TO REDUCE THE RISK OF FIRE OR ELECTRIC SHOCK,

DO NOT REMOVE COVER (OR BACK)

NO USER-SERVICEABLE PARTS INSIDE

REPAIR SHOULD BE DONE BY AUTHORIZED SERVICE PERSONNEL ONLY

Holding Cabinet	FL-2331-DOM
Rev. 10 (12/11)	Page 4 of 8

TROUBLE-SHOOTING

FAILURE

1. POWER LIGHT (*Yellow*) does NOT light.
2. Unit does not heat.
3. Unit gets too hot or won't shut off.
4. Blower does not work or makes noise.
5. GFCI device trips.

POSSIBLE CAUSE

- 1a. Switch is "OFF".
- 1b. Cord unplugged from wall outlet.
- 1c. Circuit breaker/fuse to wall outlet tripped/blown.
- 2a. Temperature control is set too low.
- 2b. Switch is "OFF".
- 3a. Defective electrical parts.

UNPLUG UNIT FROM WALL OUTLET.

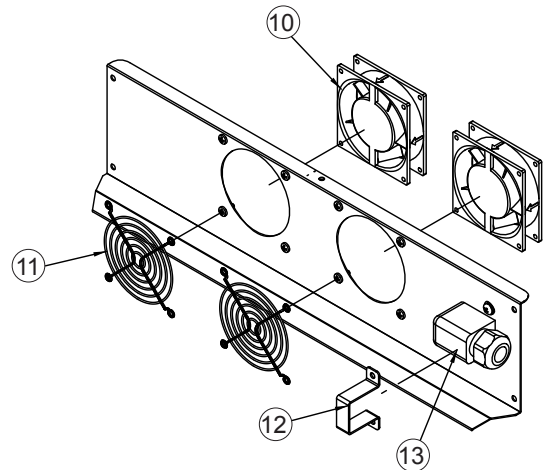
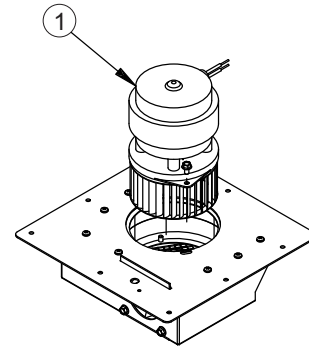
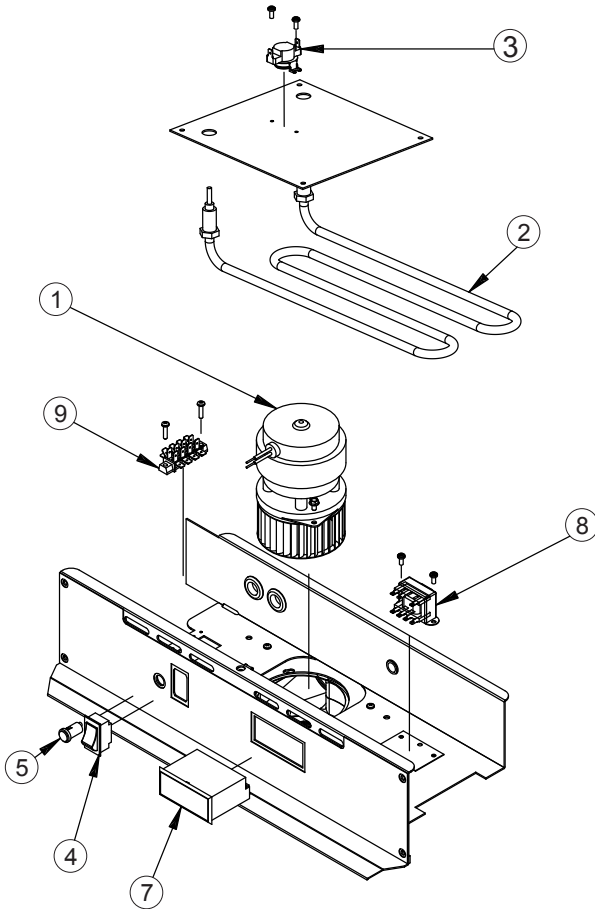
- 4a. Defective blower.
- 5a. The insulation inside the heating element may have absorbed some moisture. This may have occurred if the cabinet has not been used for a long period of time or during shipping and storage of the cabinet. Plug the cabinet into a non-GFCI outlet and set the temperature control to its maximum. Let the cabinet run for about 1 hour to dry out the heating element from any moisture may have been absorbed. If the circuit breaker trips, call the factory Authorized service agent. After drying the heating element, plug cabinet into the GFCI receptacle; the cabinet should run properly. If the GFCI device continues to trip, call the factory Authorized service agent.

GFCI (ground-fault circuit interrupter): A GFCI receptacle is a device that de-energizes a circuit when it detects an unsafe flow of current to ground. The intention of a GFCI device is to minimize the potential for an electrical shock.

If cause is none of the above, refer to our list of Authorized Service Centers, FL-1400

REPLACEMENT PARTS

Include all information on nameplate when ordering parts



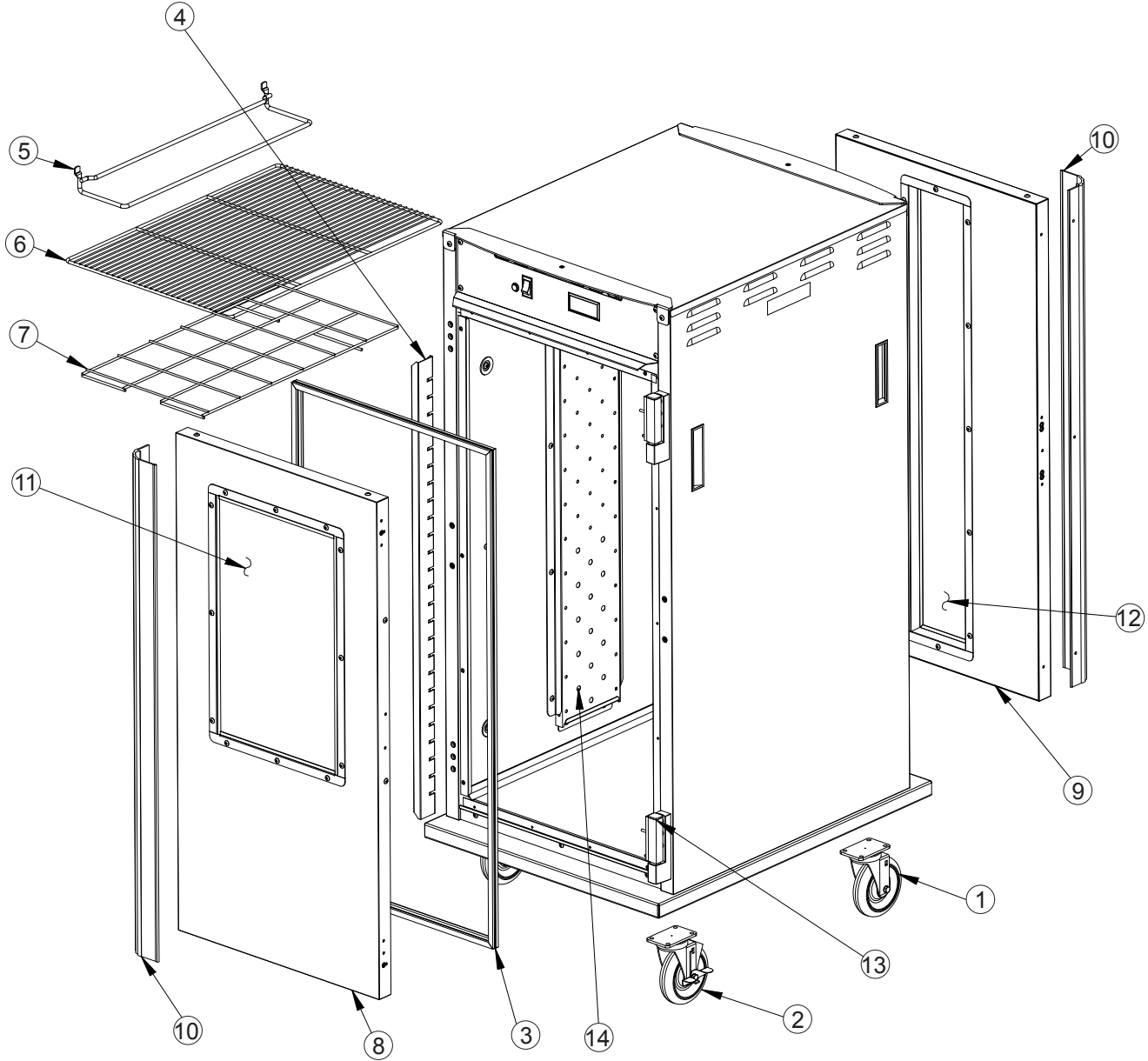
ITEM DESCRIPTION

		120V
1	Blower Kit	0769-180-01-ALK
2	Heater Kit, Air	1370 Watt 0811-289 1850 Watt 0811-022-K
3	High Limit	0848-060
4	Power Switch	0808-116-K
5	Power Light	0766-094
	Relay - Solid State (not shown)	0857-130
7	Temperature controller	0848-075-DOM
8	Transformer (used with Temp controller)	0769-159
9	Terminal Block (4 pole)	0852-093
	Terminal Block (2 pole)	0852-091
10	Vent Fan	0769-165
	Power Cord (not shown)	15 Amp 0810-029-06 20 Amp 0810-065-14-K
11	Fan Guard	0769-167
12	Cord Bracket	0553-757
13	Strain Relief 90°	0818-095

Holding Cabinet	FL-2331-DOM
Rev. 10 (12/11)	Page 6 of 8

REPLACEMENT PARTS

Include all information on nameplate when ordering parts

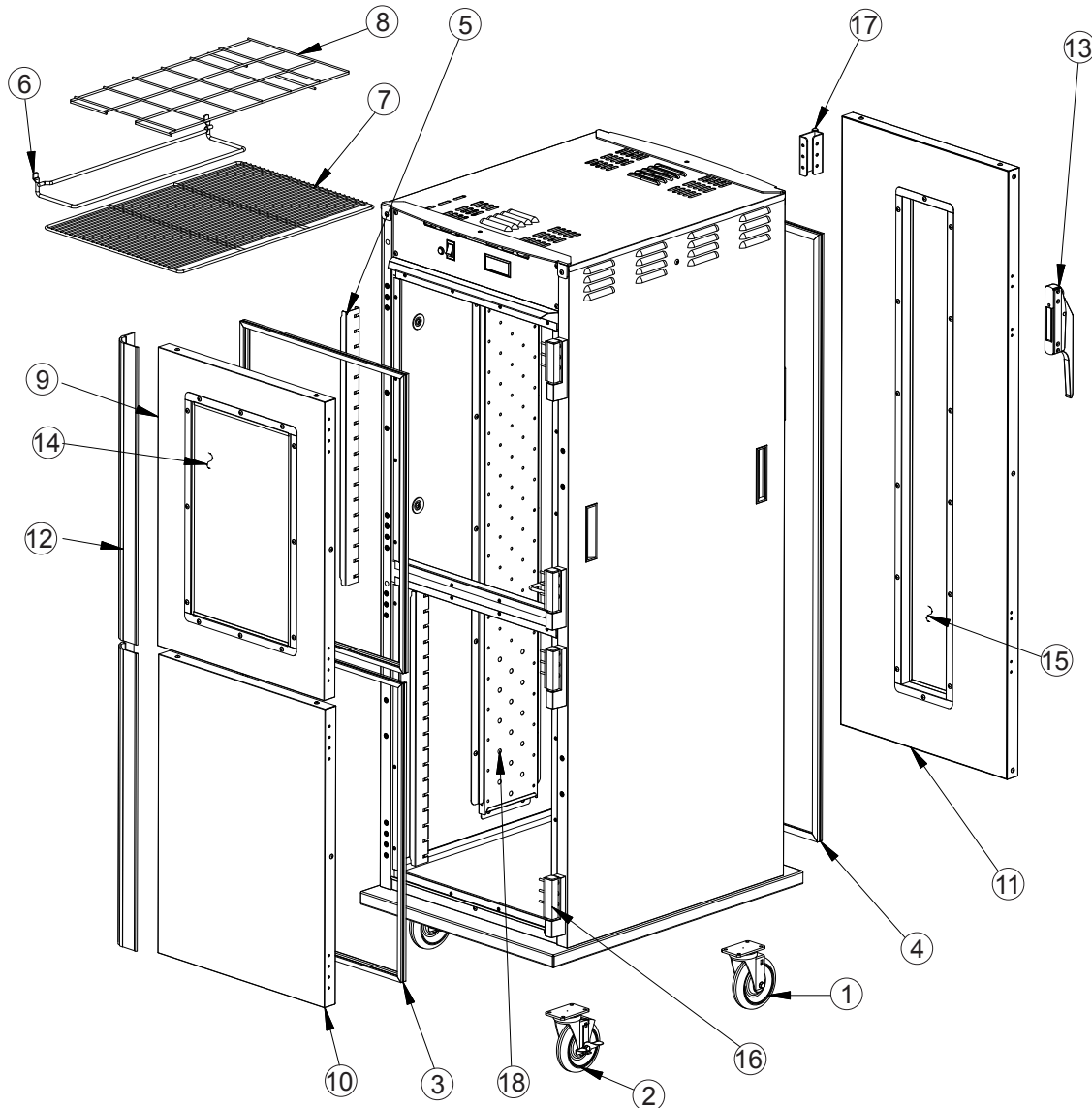


CABINET REPLACEMENT PARTS:

Item	Description	Part No.	Item	Description	Part No.
1	Caster	0569-306-K	8	Door, front	1221-564
2	Caster with brake	0569-306-BK	9	Door, back	1221-565
3	Gasket, doors	0861-264	10	Handle, door	0911-099-AB
4	Post, wire angle	0696-169	11	Window, wide	0574-133
5	Wire angle	Set of 2 0621-281-K	12	Window, narrow	0574-155
6	Wire shelf	1170-005	13	Hinge, Kit, lift off	0519-087-K
7	Wire blower inlet guard	1170-211	14	Air Tunnel	0546-142

REPLACEMENT PARTS

Include all information on nameplate when ordering parts



CABINET REPLACEMENT PARTS: H138NPSCDOM3

Item	Description	Part No.	Item	Description	Part No.
1	Caster	0569-306-K	11	Door, back, window	1221-550
2	Caster with brake	0569-306-BK	12	Handle, door	0911-111
3	Gasket, front doors	0861-245	13	Latch, door	1006-120-01-K
4	Gasket, back door	0861-246	14	Window, wide	0574-133
5	Post, rack	0696-228	15	Window, narrow	0574-144
6	Angle, Wire, set of 2	0621-281-K	16	Hinge Kit, lift off, set of 2	0519-087-K
7	Wire shelf	1170-005	17	Hinge, butt type	0519-089
8	Wire blower inlet guard	1170-211	18	Air tunnel	0546-120
9	Door, front, window	1221-535-01		Door stop	0553-740
10	Door, front, solid	1221-534			

Holding Cabinet	FL-2331-DOM
Rev. 10 (12/11)	Page 8 of 8

WIRING DIAGRAM

