

INSTALLATION INSTRUCTIONS

for MODEL IFW-64 SERIES RIGID STEM WARMERS

ELECTRICAL SPECS:

| VOLTS | WATTS | AMPS | HERTZ | PHASE | NEMA |
|-------|-------|------|-------|-------|------|
| 120 | 250 | 2.0 | 60 | 1 | 5-15 |
| 240 | 275 | 1.1 | 60 | 1 | 6-15 |

Warmer should be installed by an experienced electrician.

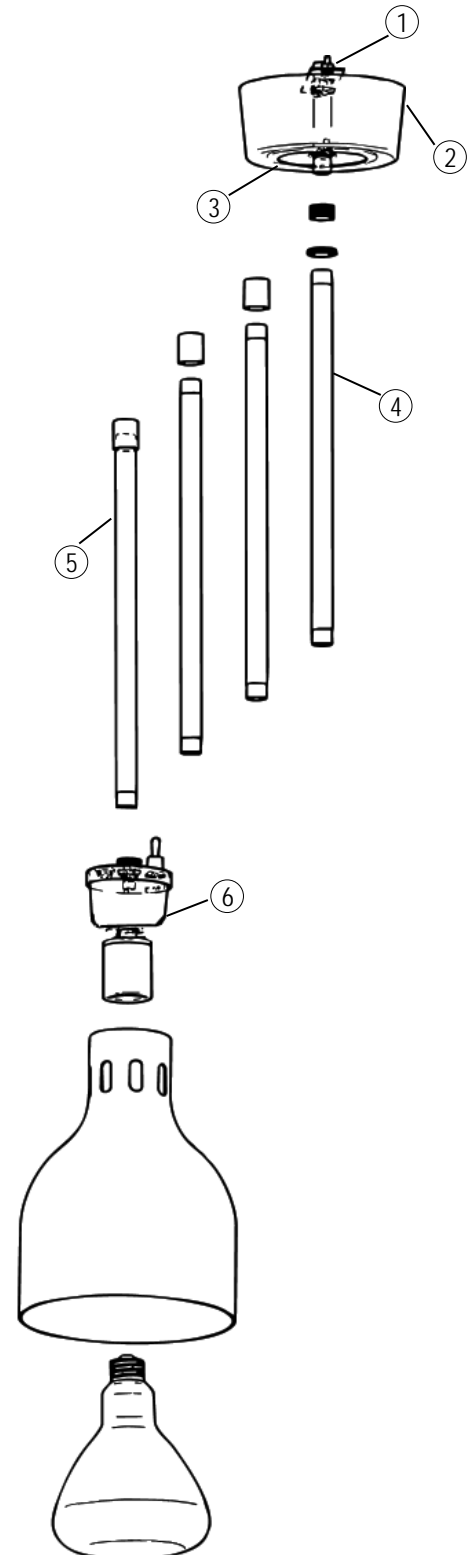
U.L. REQUIREMENTS:

- A. Wires of warmers to be connected to 75°C wire.
- B. Wires are to be installed in conduit.
- C. Warmers are not to be installed any closer than 1" from a wall.
- D. Warmers must be *at least* 16" above a combustible surface.

HOW TO INSTALL: (See figure at right)

NOTE: Item numbers are in parentheses.

1. Put the canopy (2) over the tube (4) and run the wire through the threaded nipple of the canopy.
2. Connect the tube (4) to the canopy (2).
3. Remove two screws from the crown plate (3) and let the canopy (2) slide down the tube (4).
4. Mount the strap (1) to the electrical outlet box with two screws and nuts.
5. Wire the warmer leads to the outlet box with two screws and nuts.
6. Attach the ground wires, one from the ceiling and the one from the lamp, to the "GND" hole in the strap (1) with the green screw.
7. Screw the canopy (2) to the crown plate (3) with the two sheet metal screws.
8. Tighten all tubing connections; fasten threaded end of bottom stem (5) into the socket assembly (6) and tighten.



| | |
|-----------------|----------------|
| IFW 64 Series | FL-0314 |
| Rev. 13 (05/06) | Page 2 of 2 |

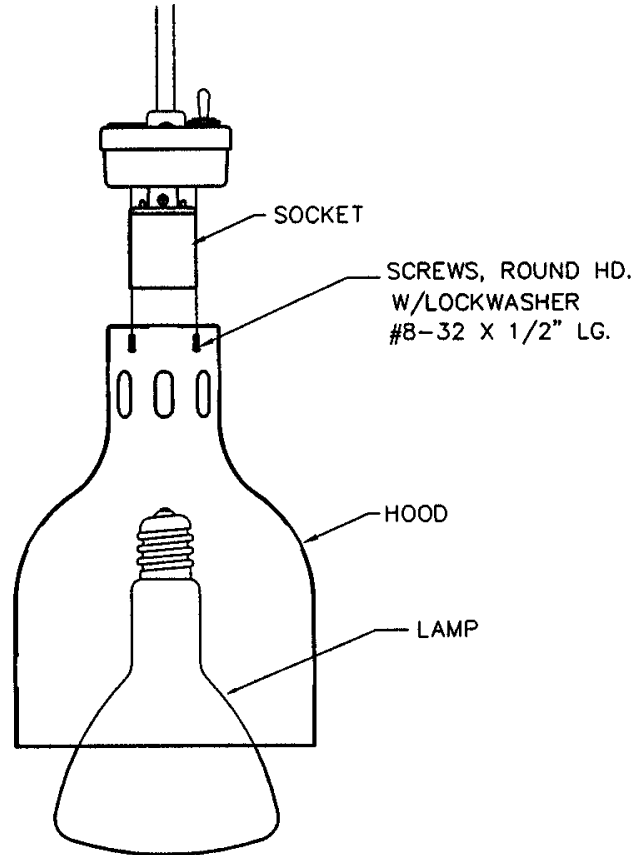
INSTALLATION INSTRUCTIONS

for MODEL IFW-64 SERIES RIGID STEM WARMERS

HOW TO INSTALL HOOD:

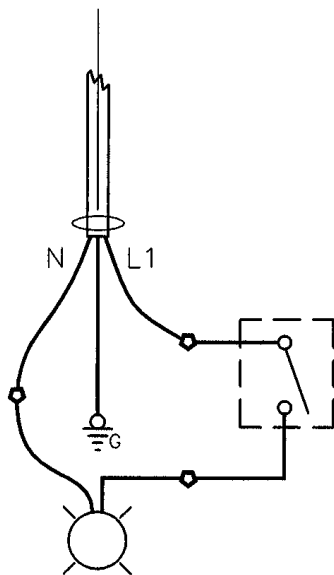
You will need a Phillips head (preferably magnetic) screwdriver with a long neck.

1. Slide the hole in the top of the hood over the socket.
2. Look inside of the hood and line up two (2) hood mounting holes with the holes in the arm assembly.
3. Put the screw provided on the screwdriver tip and screw loosely into one hole and then into the other; then tighten both screws.
4. Screw lamp into the socket.

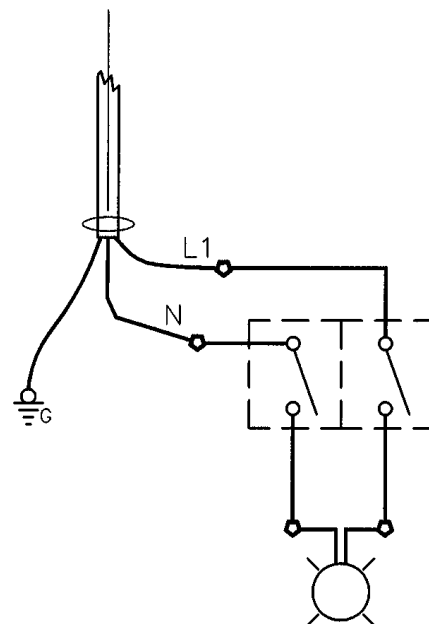


REPLACEMENT PARTS:

| DESCRIPTION | CMP No. |
|-------------------------|--------------------------|
| Switch (120V) | 0808-002 |
| Switch (240V) | 0808-122 |
| Lamp, Red (250 Watts) | 0820-001 |
| Lamp, White (250 Watts) | 0820-033 |
| Socket | 0822-037 |



WIRE FOR 120V



WIRE FOR 240V