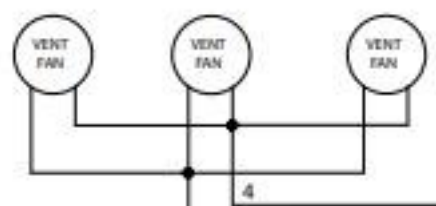
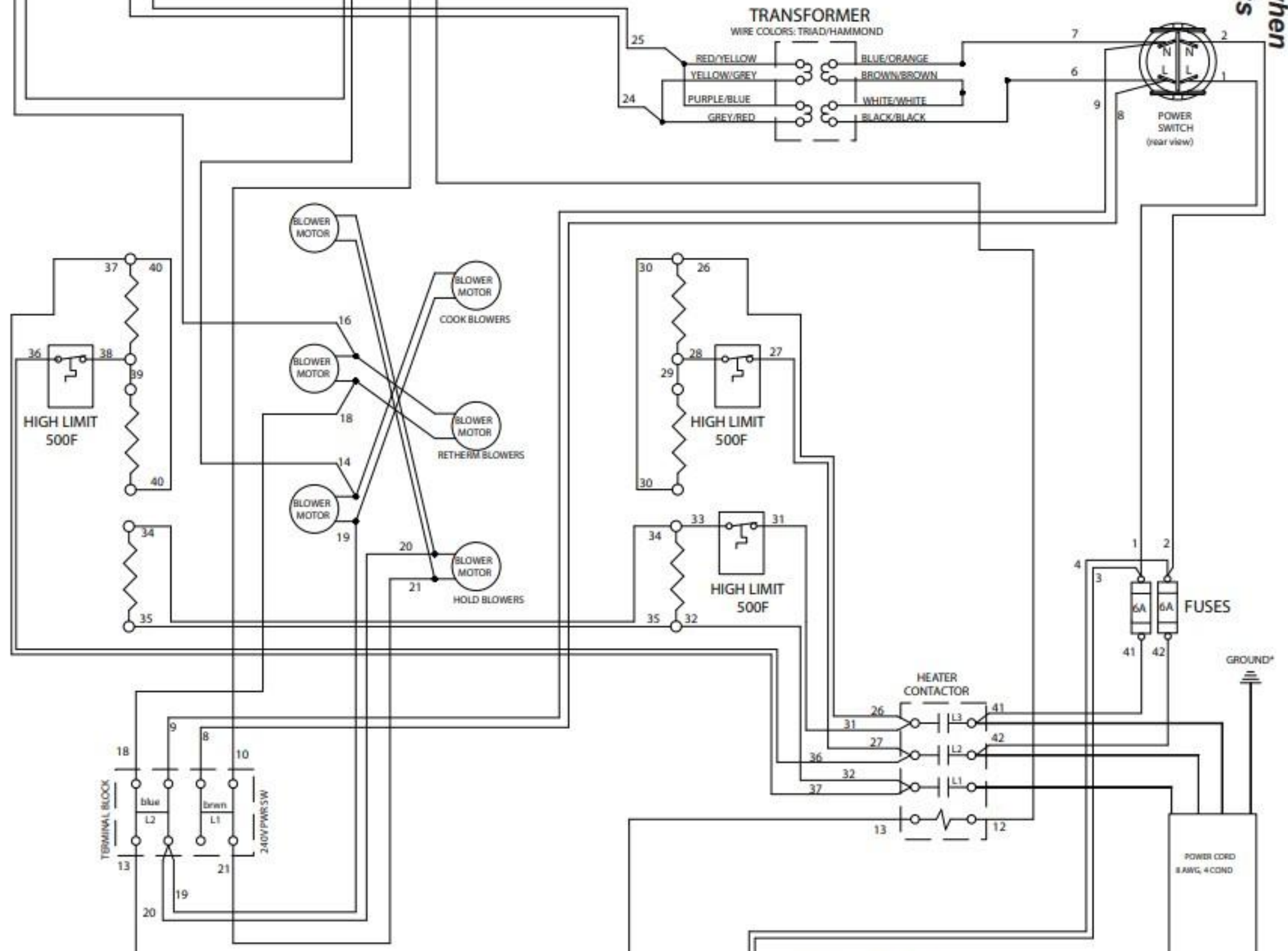
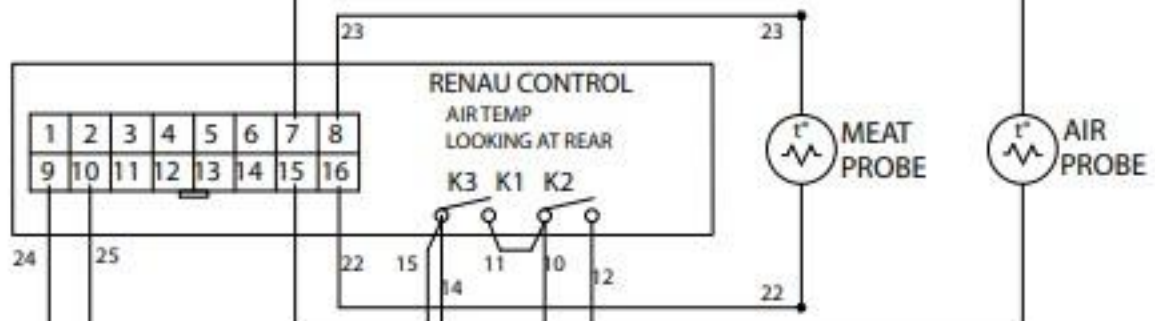
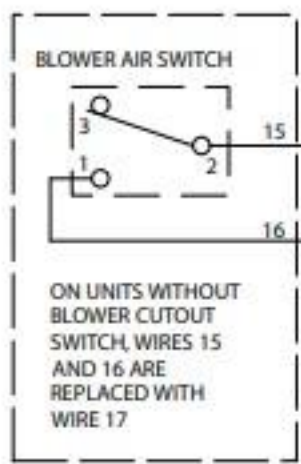
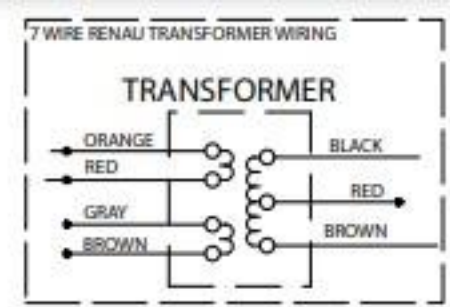
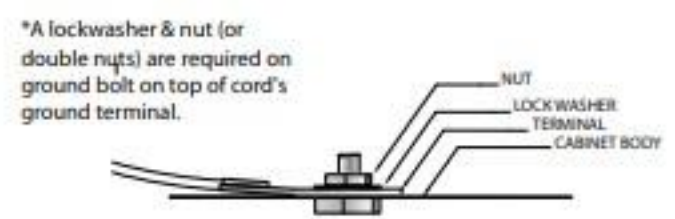


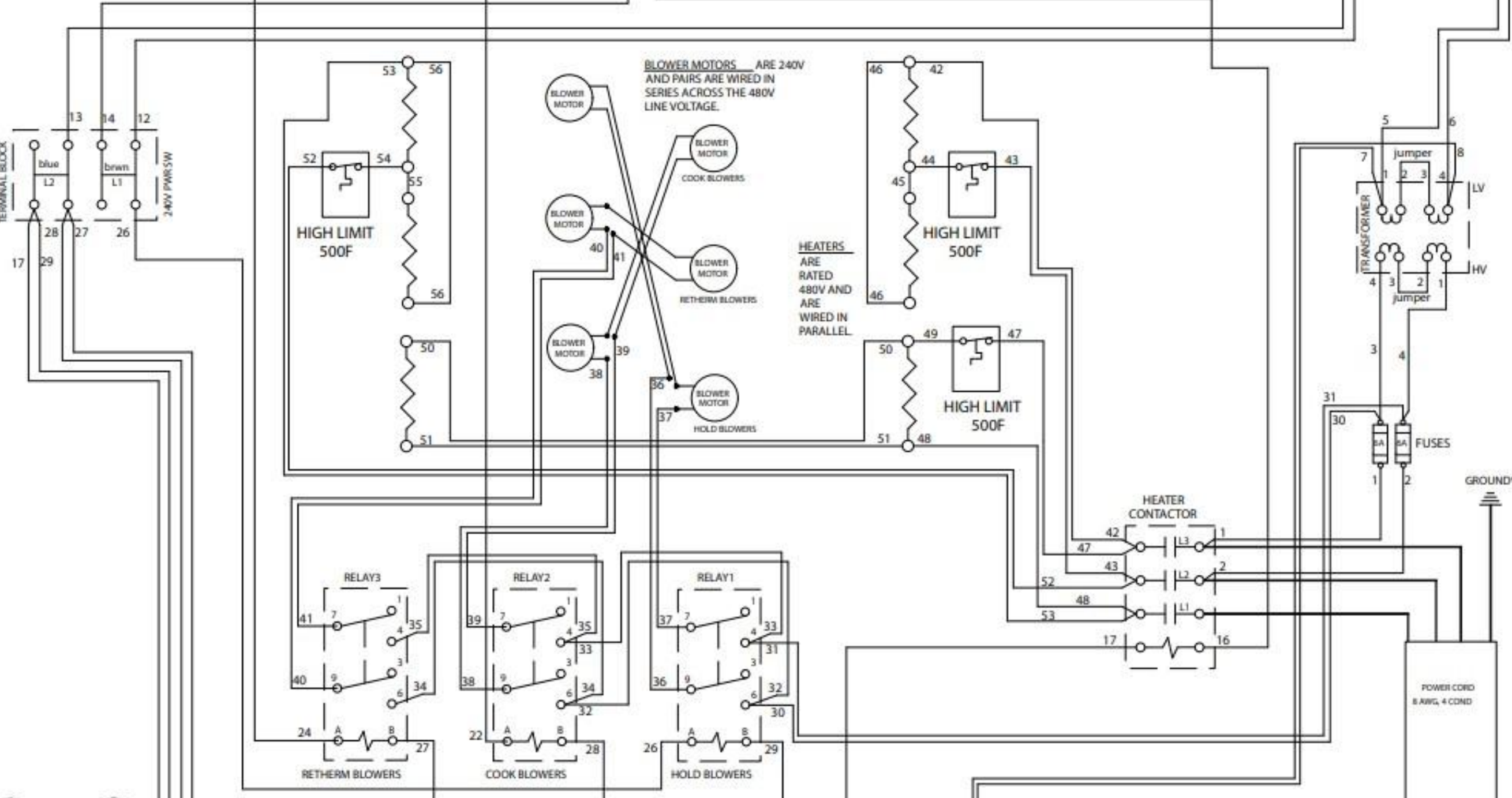
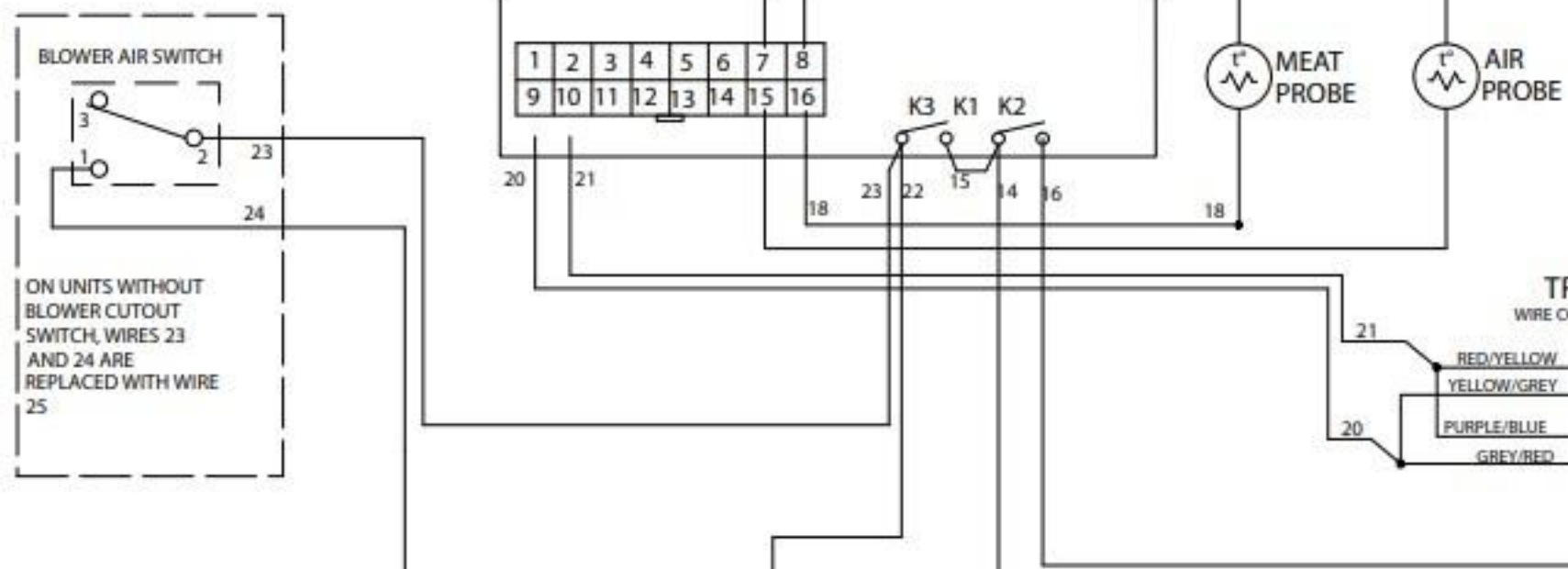
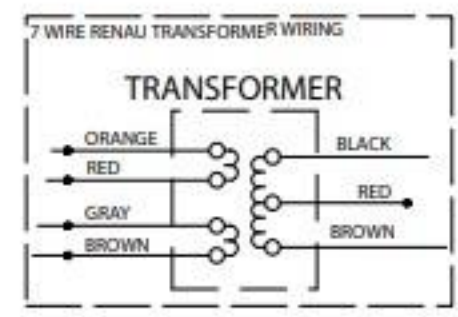
Include all information on nameplate when ordering parts



IMPORTANT: VENT FANS BLOW AIR INTO APPLIANCE

HIGH TEMP closes @130F





BLOWER MOTORS ARE 240V AND PAIRS ARE WIRED IN SERIES ACROSS THE 480V LINE VOLTAGE.

HEATERS ARE RATED 480V AND ARE WIRED IN PARALLEL.

HIGH TEMP closes @130F

IMPORTANT: VENT FANS BLOW AIR INTO APPLIANCE

*A lockwasher & nut (or double nuts) are required on ground bolt on top of cord's ground terminal.

