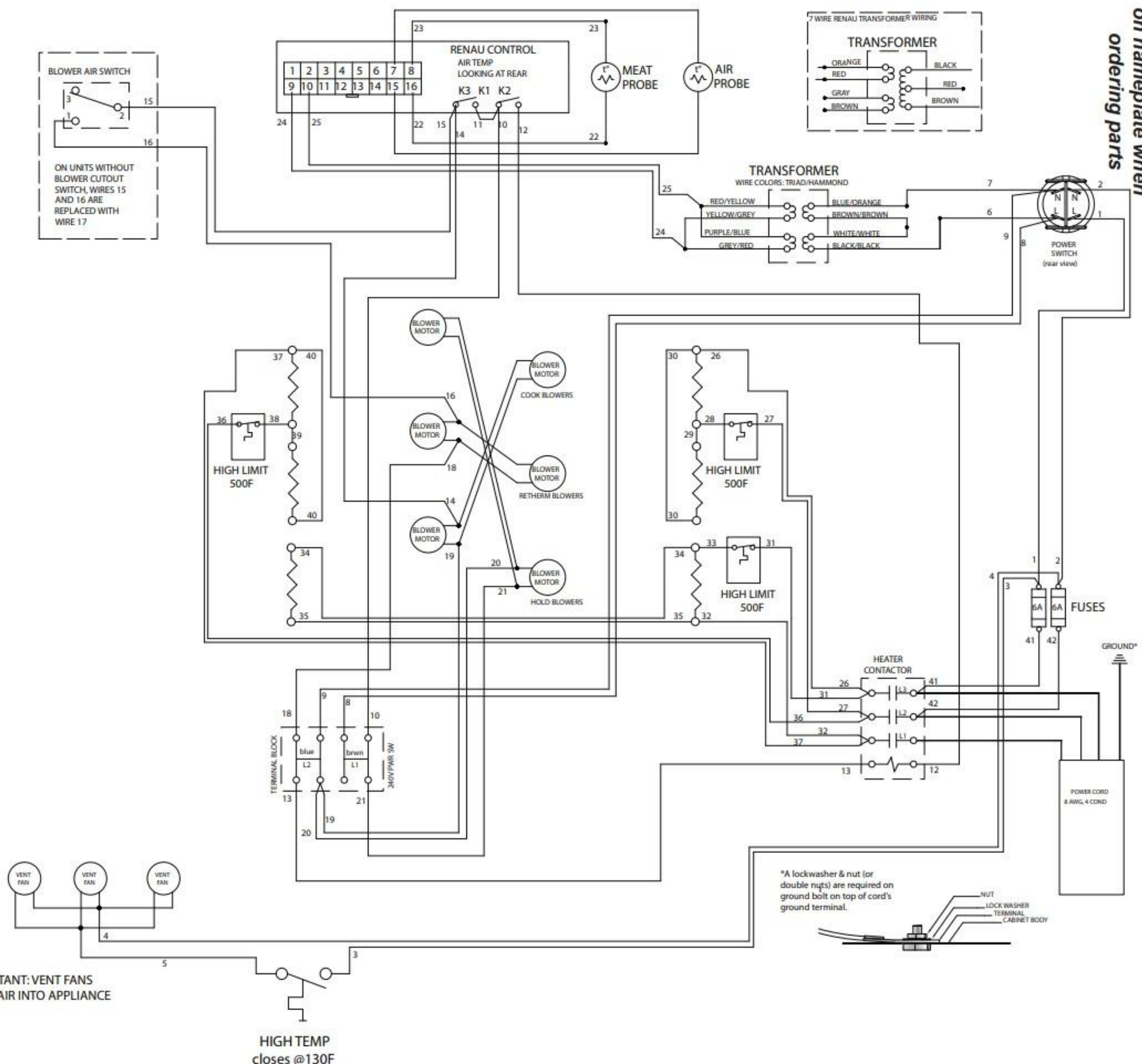
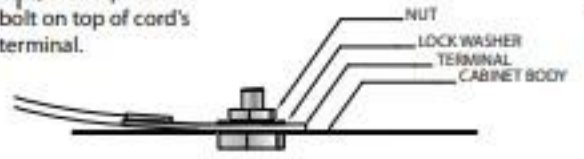


Include all information on nameplate when ordering parts



*A lockwasher & nut (or double nuts) are required on ground bolt on top of cord's ground terminal.



IMPORTANT: VENT FANS BLOW AIR INTO APPLIANCE