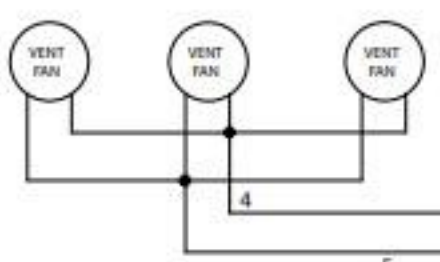
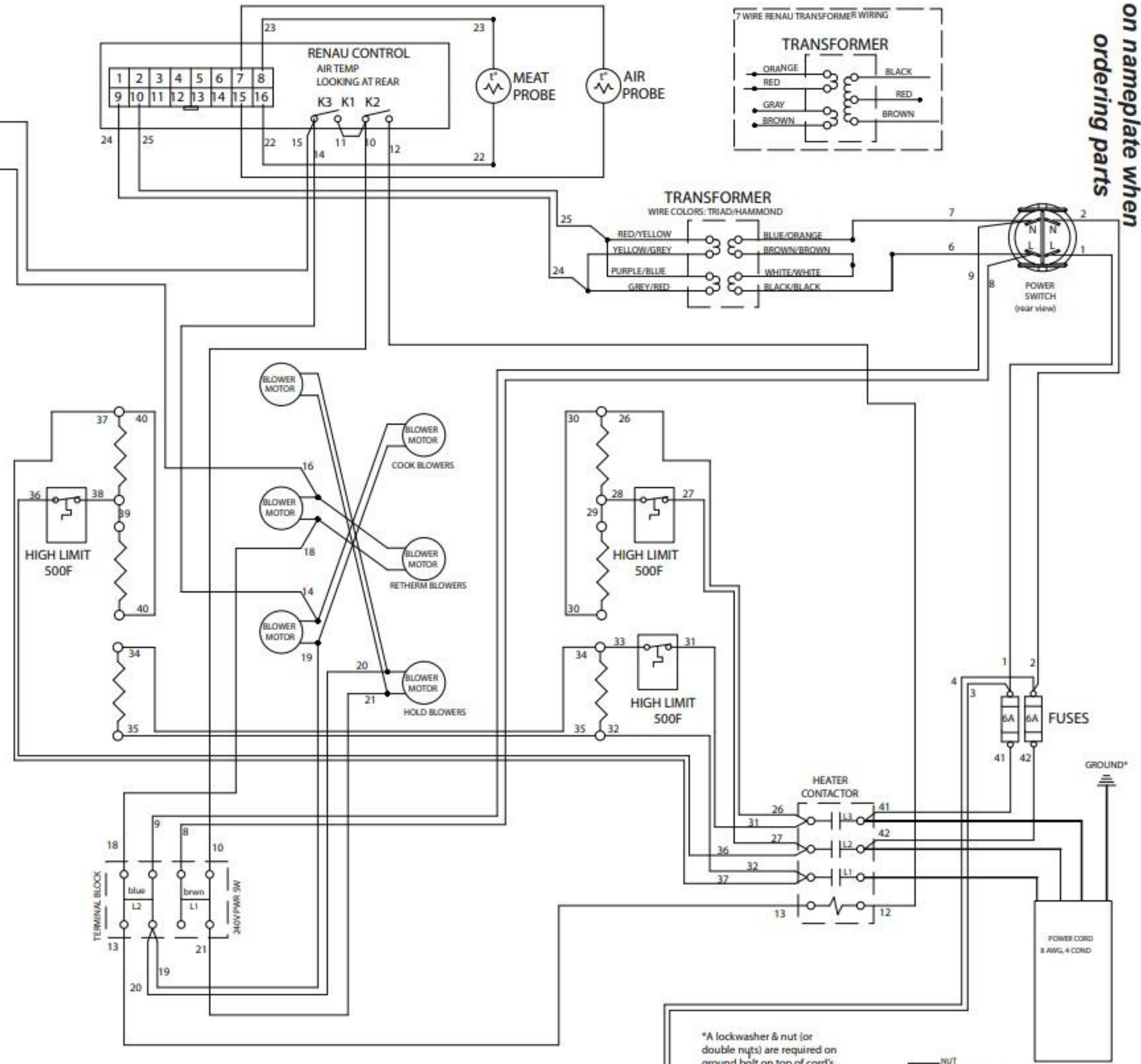
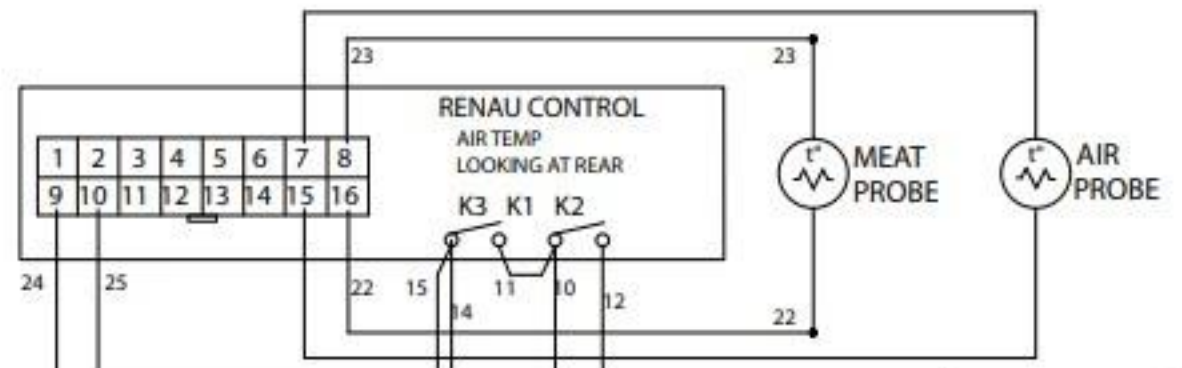
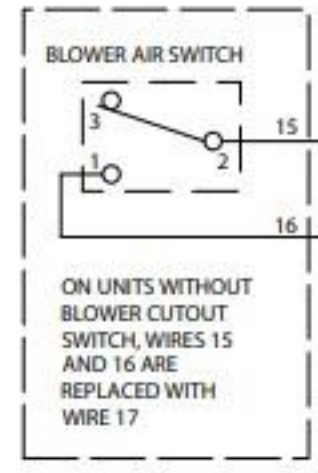
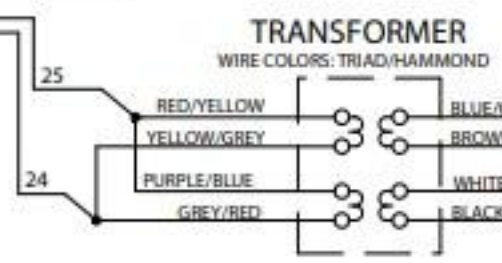
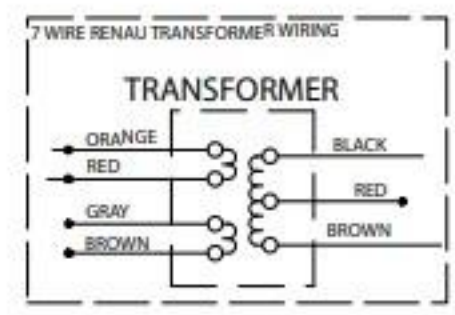


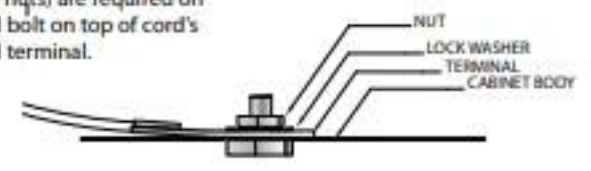
**Include all information  
on nameplate when  
ordering parts**



**IMPORTANT: VENT FANS  
BLOW AIR INTO APPLIANCE**

**HIGH TEMP  
closes @130F**

\*A lockwasher & nut (or double nuts) are required on ground bolt on top of cord's ground terminal.



Include all information  
on nameplate when  
ordering parts

