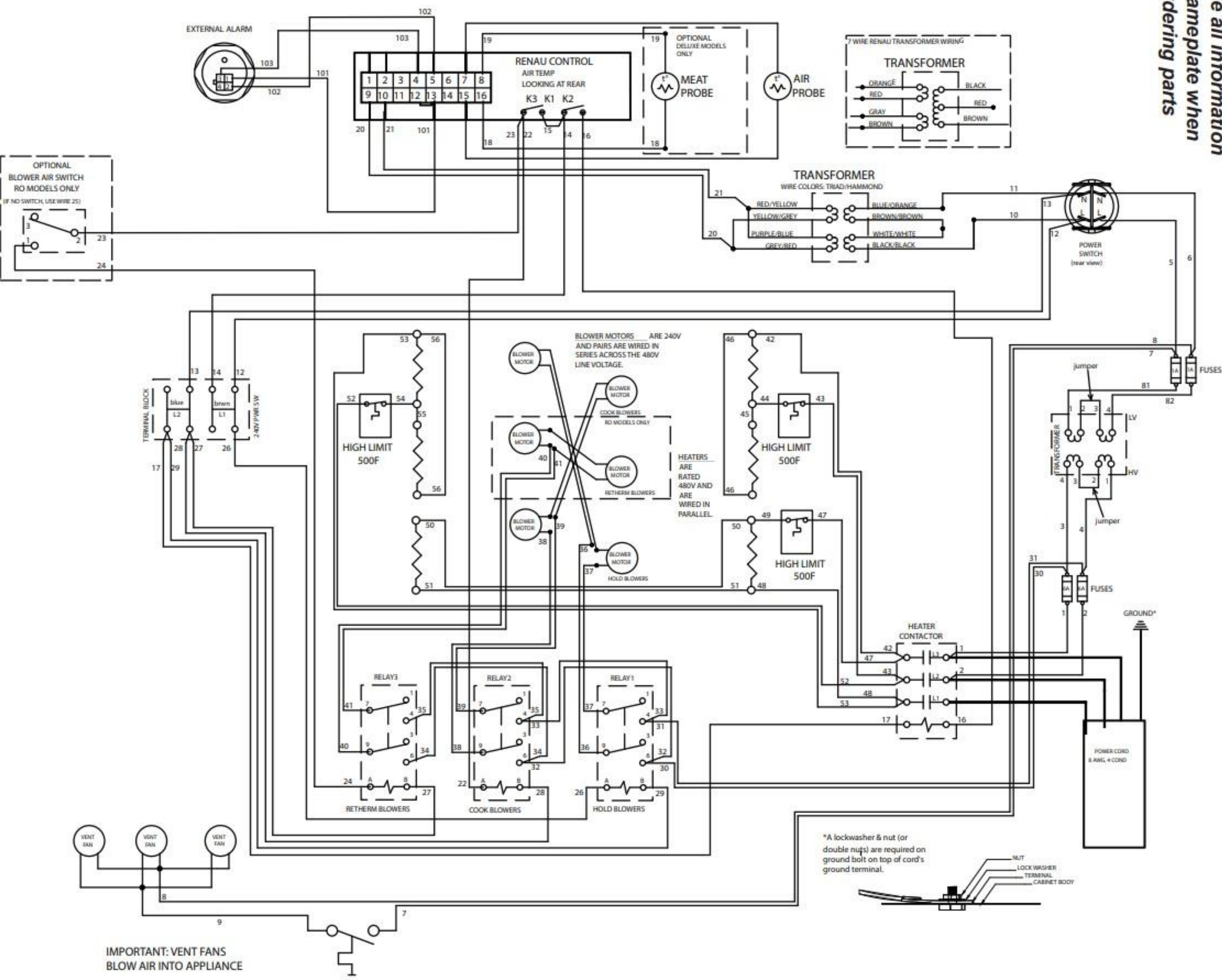


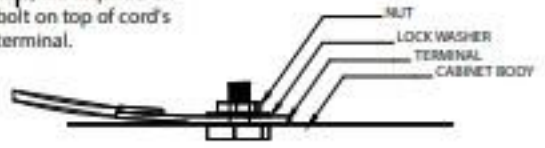
**Include all information  
on nameplate when  
ordering parts**



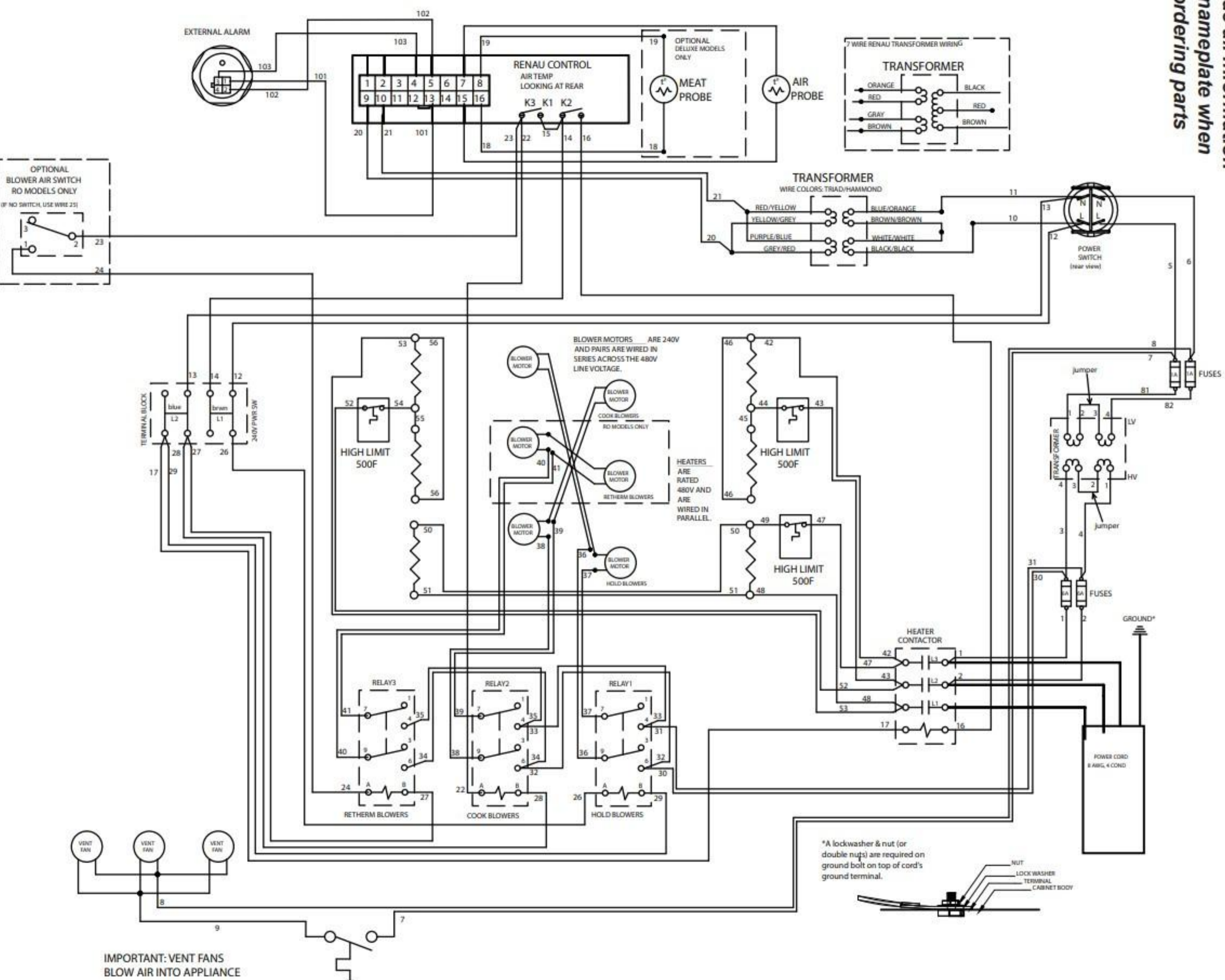
**IMPORTANT: VENT FANS  
BLOW AIR INTO APPLIANCE**

**HIGH TEMP  
closes @130F**

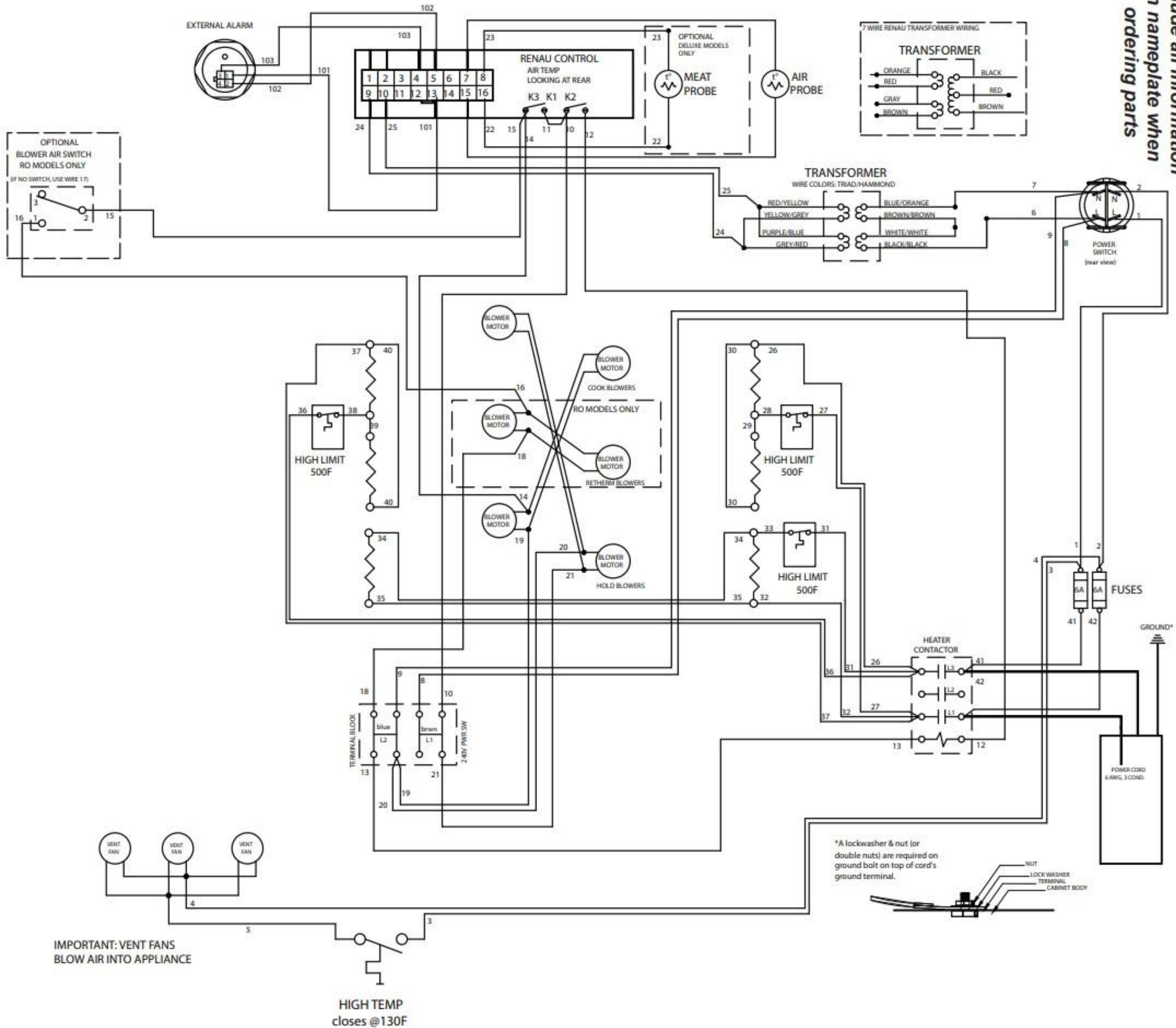
\*A lockwasher & nut (or  
double nuts) are required on  
ground bolt on top of cord's  
ground terminal.



**Include all information  
on nameplate when  
ordering parts**



**Include all information on nameplate when ordering parts**



**IMPORTANT: VENT FANS  
BLOW AIR INTO APPLIANCE**

**HIGH TEMP  
closes @130F**

\*A lockwasher & nut (or double nuts) are required on ground bolt on top of cord's ground terminal.

