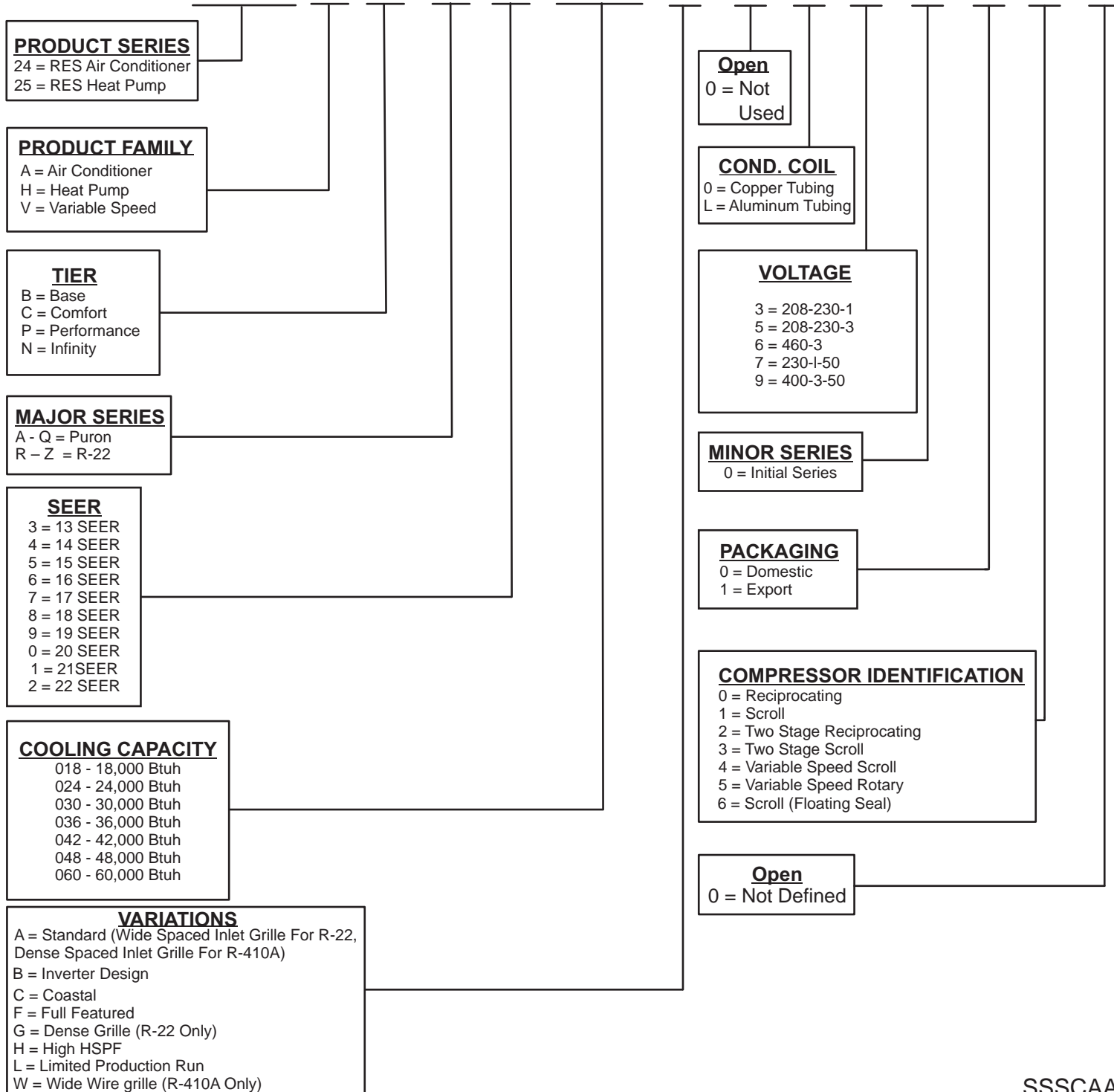


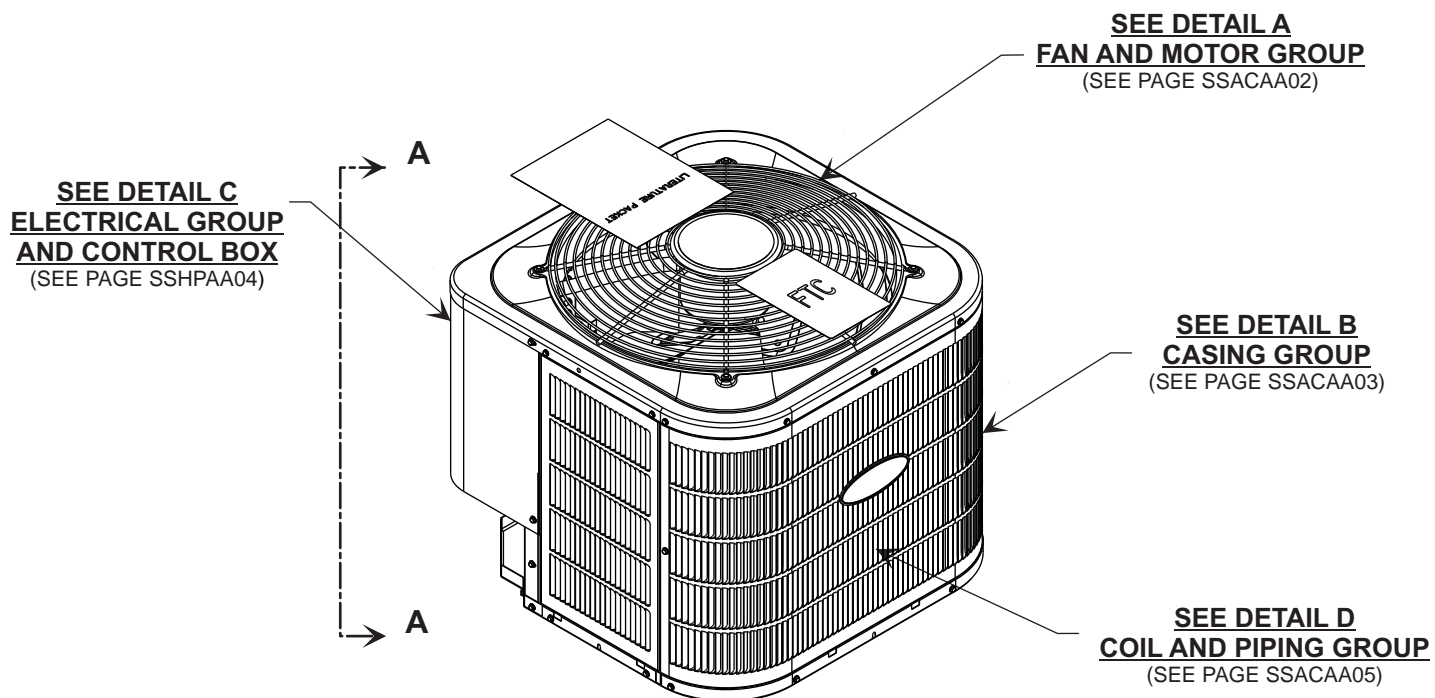
PART NUMBER SIGNIFICANCE CHART

POSITION	1	2	3	4	5	6	7	8	9	10	11	12	13	14	15	16
EXAMPLE MODEL	2	5	H	N	H	5	2	4	A	0	0	3	0	0	1	0

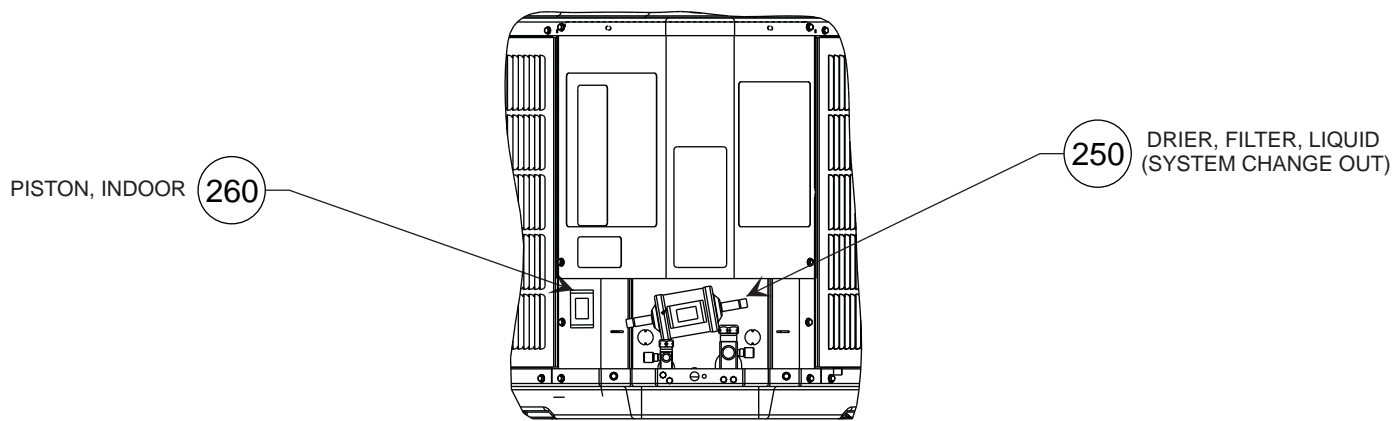


SSSCAAC1

CONDENSING UNIT A/C



ISOMETRIC VIEWS



VIEW A-A

UNIT ASSEMBLY

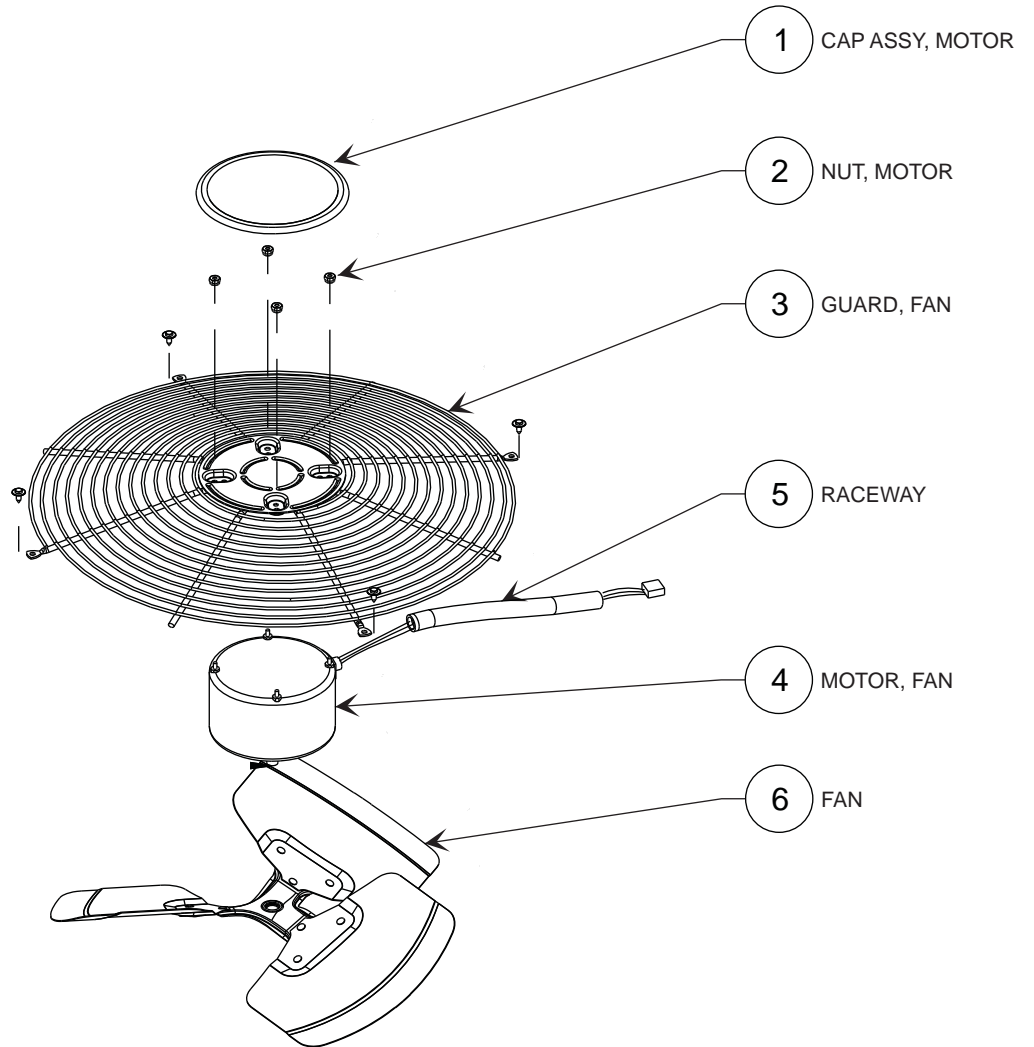
Note: This illustration is for reference only. Your unit may differ in appearance or may not include all components shown.

SSACAA01

Revision Notes:

9/4/2013 AHS: Initial Drawing Creation. Leader arrows are "ARROWHEAD 123" style.

CONDENSING UNIT A/C

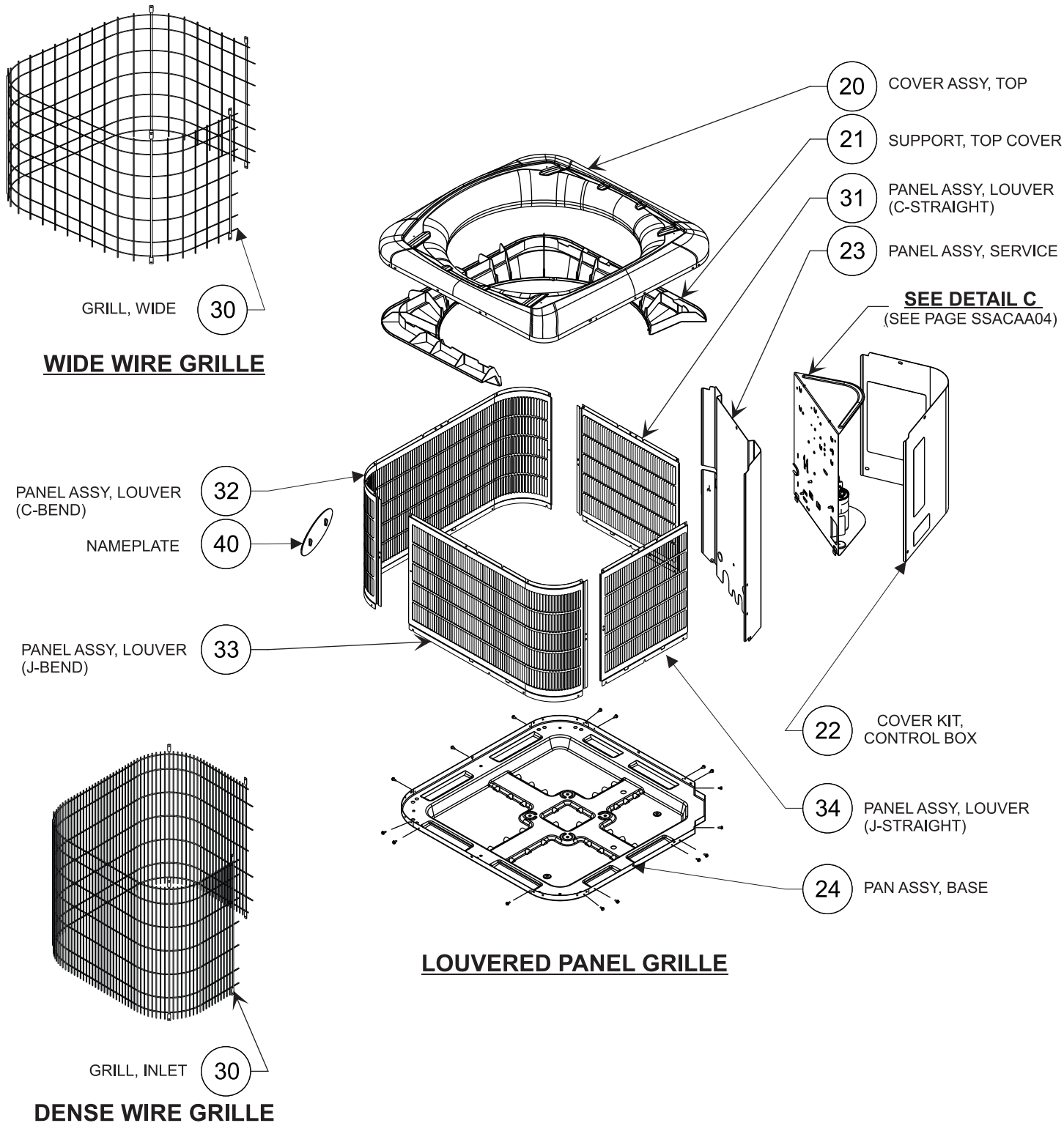


Note: This illustration is for reference only. Your unit may differ in appearance or may not include all components shown.

DETAIL A (FAN GROUP)

SSACAA02

CONDENSING UNIT A/C



Note: This illustration is for reference only. Your unit may differ in appearance or may not include all components shown.

DETAIL B (CASING GROUP)

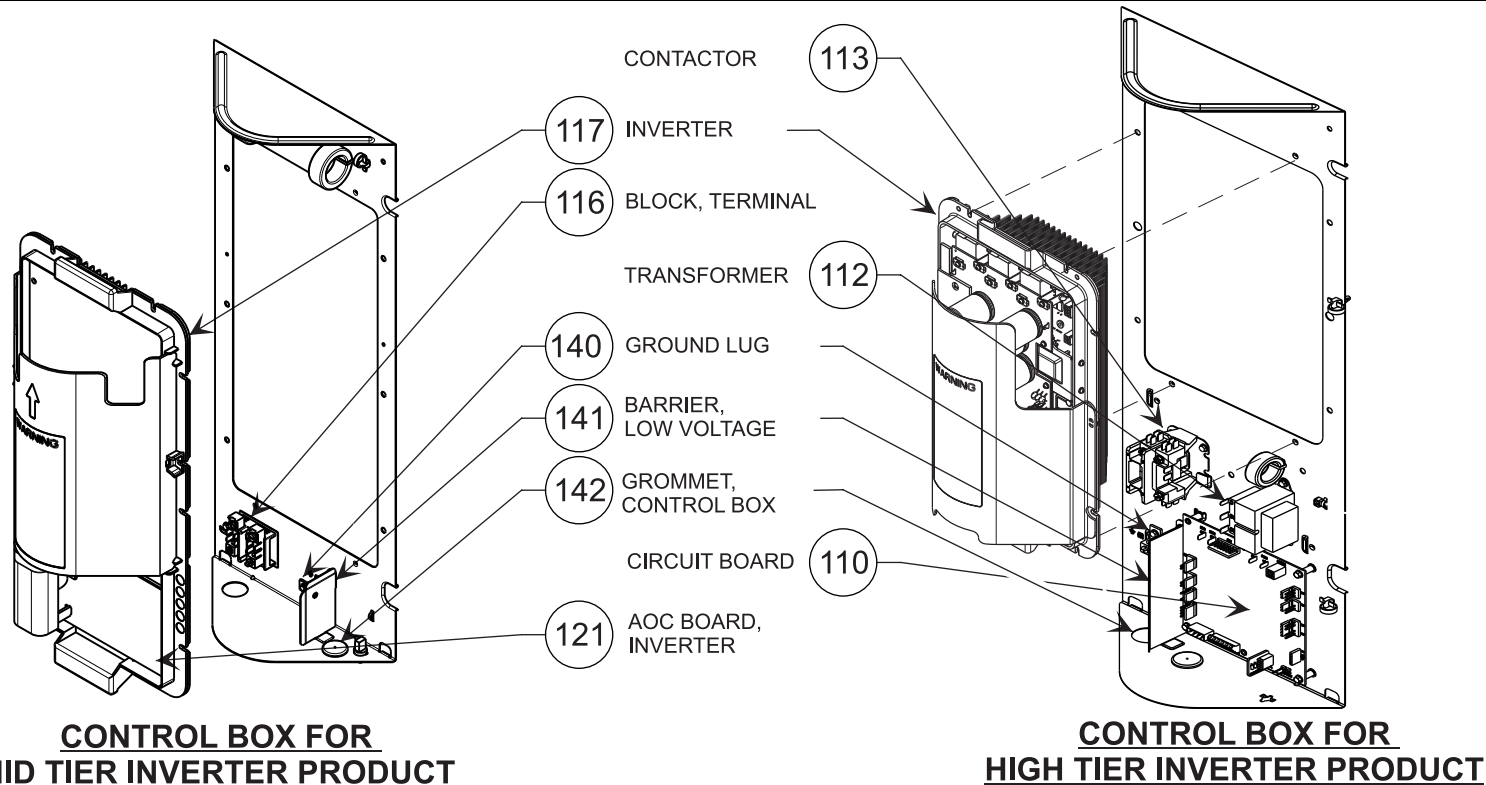
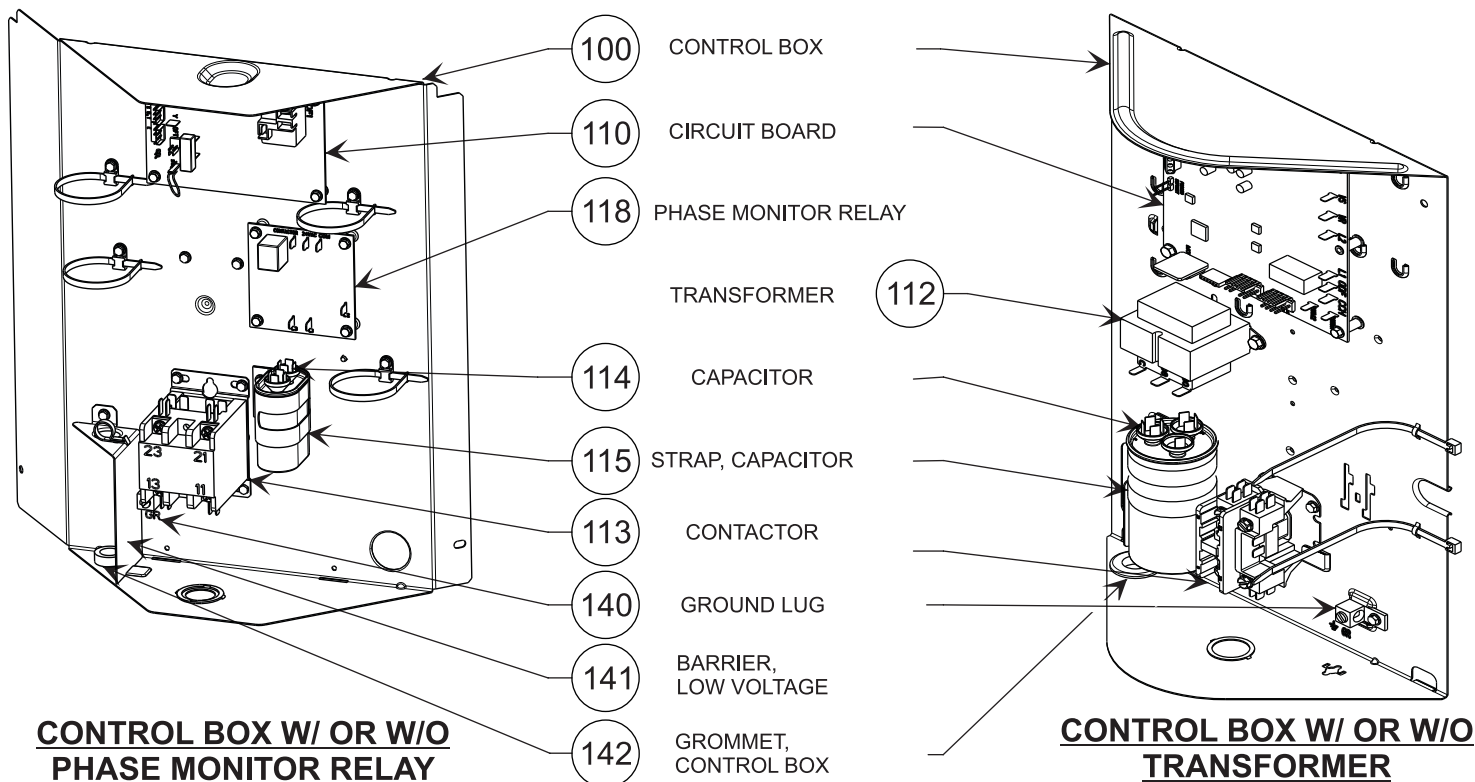
SSACAA03

~~DO NOT PRINT PAGE FOR CATALOG GRAPHICS~~

Revision Notes:

9/4/2013 AHS: Initial Drawing Creation. Leader arrows are "ARROWHEAD 123" style.

CONDENSING UNIT A/C



DETAIL C (ELECTRICAL GROUP)

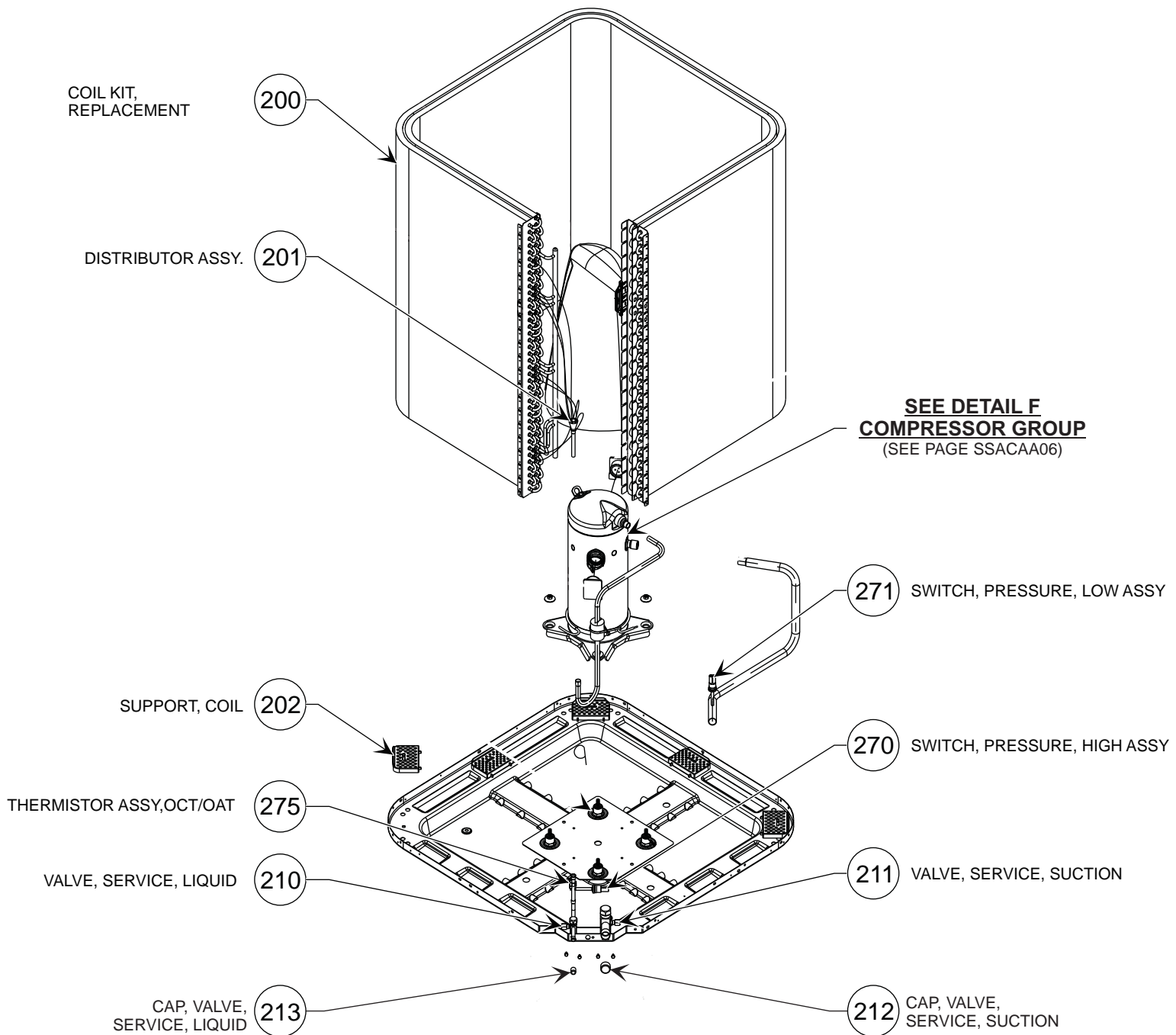
SSACAA04

Note: This illustration is for reference only. Your unit may differ in appearance or may not include all components shown.

Revision Notes:

9/3//2013 AHS: Initial Drawing Creation. Leader arrows are "ARROWHEAD 123" style.
7/25/2014 AHS: Added in Proteus Inverter View

CONDENSING UNIT A/C

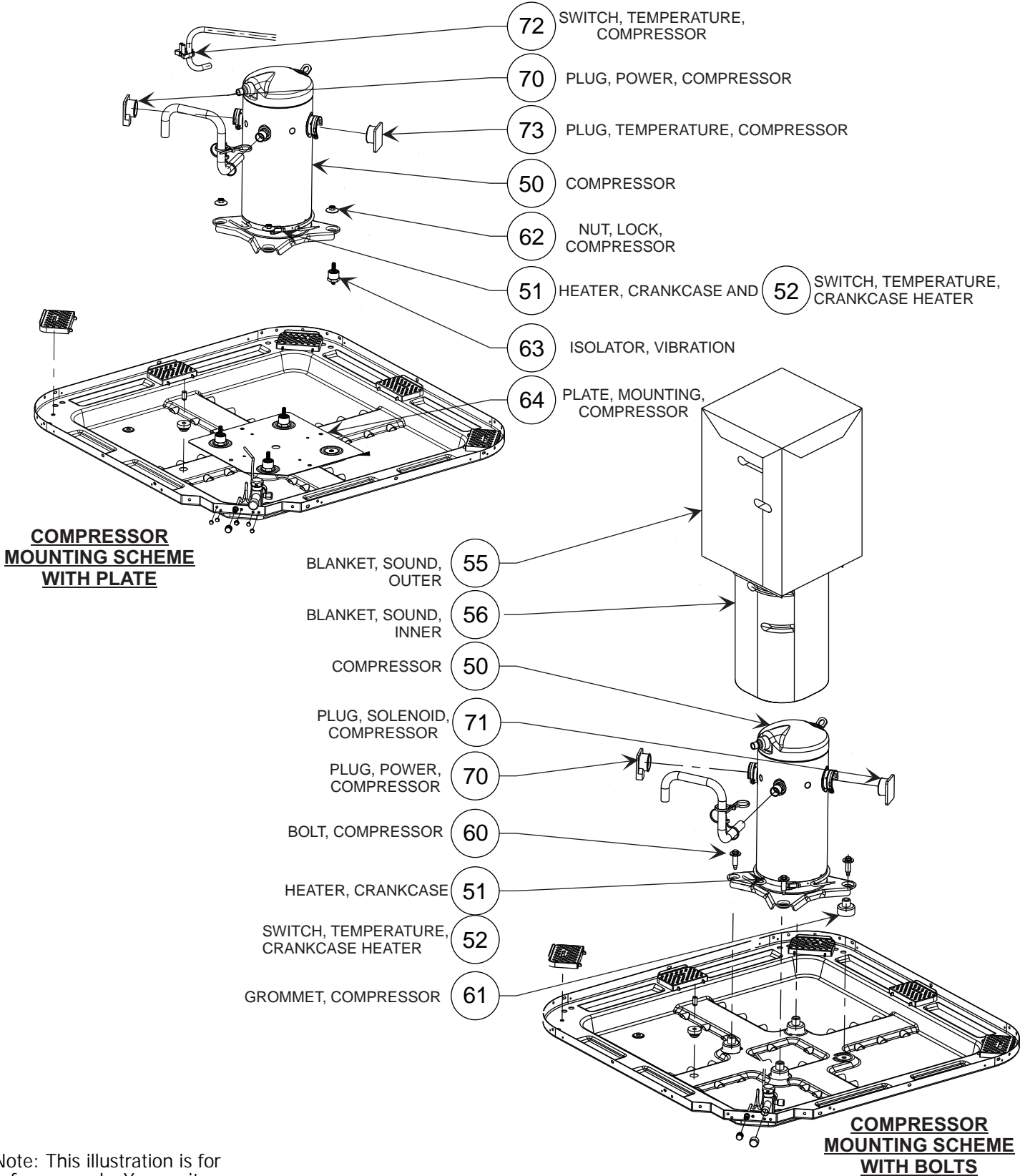


Note: This illustration is for reference only. Your unit may differ in appearance or may not include all components shown.

DETAIL D (COIL AND PIPING GROUP)

SSACAA05

CONDENSING UNIT A/C

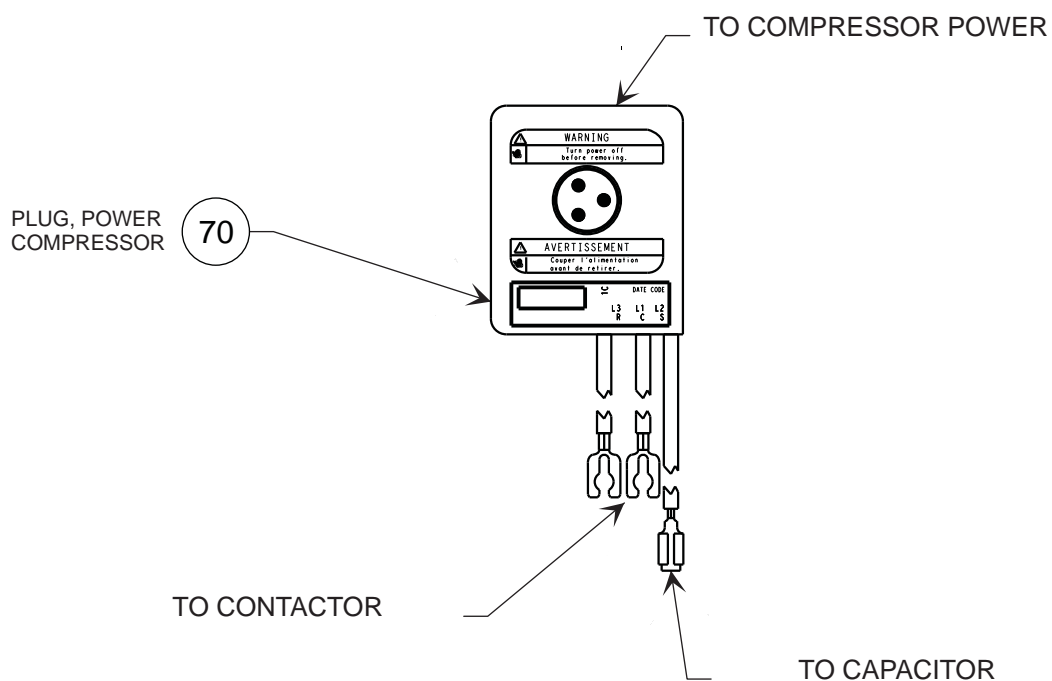


DETAIL F (COMPRESSOR GROUP)

SSACAA06

Note: This illustration is for reference only. Your unit may differ in appearance or may not include all components shown.

CONDENSING UNIT A/C

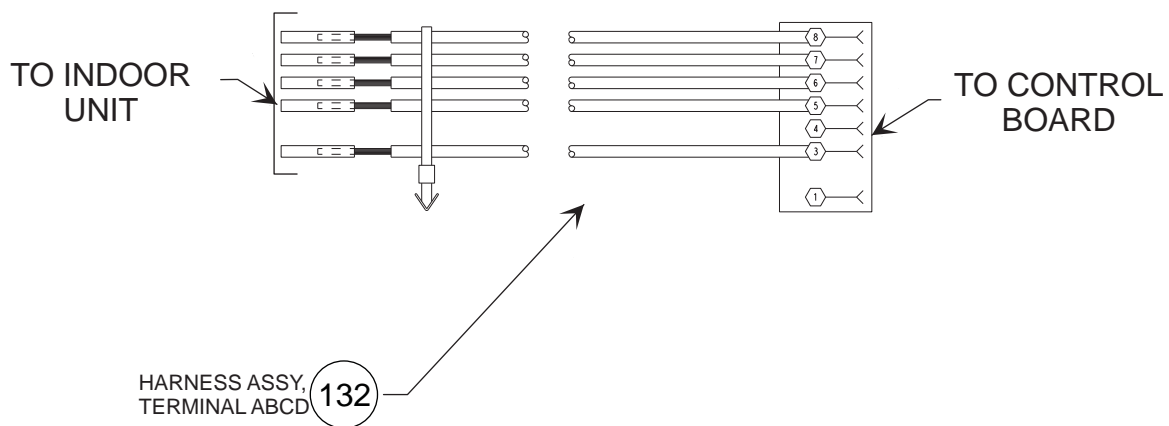


Note: This illustration is for reference only. Your unit may differ in appearance or may not include all components shown.

DETAIL G HARNESS/PLUG ASSYS

SSACAA07

CONDENSING UNIT A/C

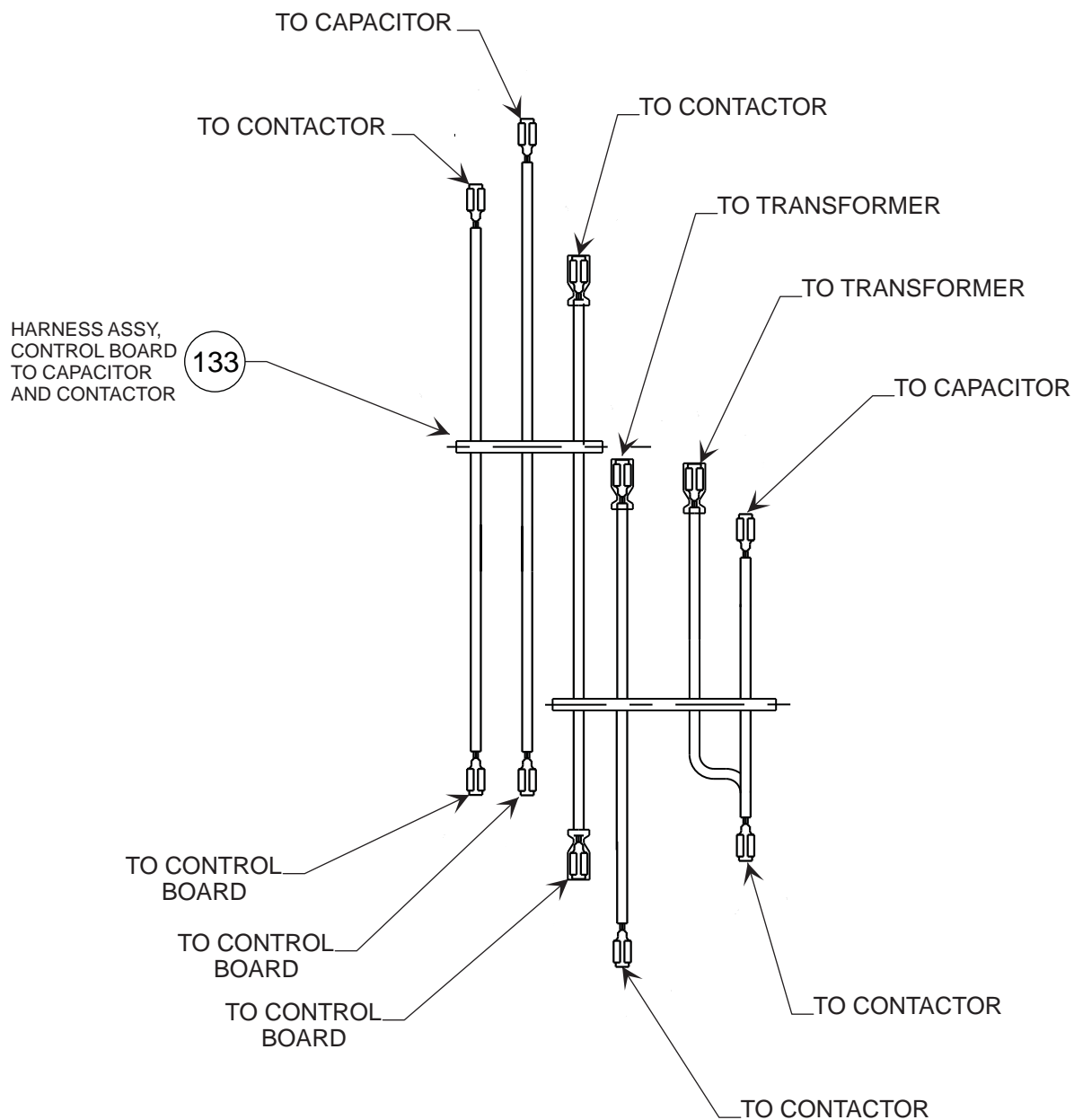


Note: This illustration is for reference only. Your unit may differ in appearance or may not include all components shown.

DETAIL G HARNESS/PLUG ASSYS

SSACAA08

CONDENSING UNIT A/C



Note: This illustration is for reference only. Your unit may differ in appearance or may not include all components shown.

DETAIL G HARNESS/PLUG ASSYS

SSACAA09

Model 24ABB360A0052011

Description SPLIT SYSTEM AIR CONDITIONER, CARRIER, 13 SEER, 208/230-3-60

Itm#	Qty	Rec	Part Number	Description
2	4	-	306789-103	NUT, MOTOR
3	1	-	329694-416	GUARD, FAN
4	1	C	HB39GQ230	MOTOR, FAN
5	1	-	319421-302	RACEWAY
6	1	C	LA01RA312	FAN
20	1	-	329621-702164	COVER ASSY, TOP
22	1	-	331248-7758	COVER KIT, CONTROL BOX
23	1	-	329606-702164	PANEL ASSY, SERVICE
24	1	-	NSS	PAN ASSY, BASE
30	1	-	340920-416	GRILL, INLET
40	1	-	333992-401	NAMEPLATE
41	1	-	331398-751	HARDWARE KIT
42	1	-	313974-765	PAINT, TOUCH UP
50	1	C	ZP51K5E-TF5-130	COMPRESSOR
60	4	R	AH10ES202	BOLT, COMPRESSOR
61	4	R	344660-401	GROMMET, COMPRESSOR
70	1	C	327533-402	PLUG, POWER, COMPRESSOR
100	1	-	329605-401	PANEL, CONTROL BOX
113	1	C	HN52PC022	CONTACTOR
114	1	C	HC91CA005	CAPACITOR
115	1	R	312244-303	STRAP, CAPACITOR
118	1	C	HK35AC002	RELAY, PHASE MONITOR
137	1	C	337408-701	HARNESS ASSY, CTRL - CONT
140	1	R	HY90AZ009	GROUND LUG
142	1	-	KA56GR144	GROMMET, CONTROL BOX
160	1	-	331052-701	HARNESS ASSY
200	1	C	331230-7091	COIL KIT, REPLACEMENT
202	5	-	331617-401	SUPPORT, COIL
210	1	C	EP13BZ121	VALVE, SERVICE, LIQUID
211	1	C	EP13BZ271	VALVE, SERVICE, SUCTION
212	1	-	328963-753	CAP, VALVE, SERVICE, SUCTION
213	1	-	328963-751	CAP, VALVE, SERVICE, LIQUID
214	1	-	317756-201	CAP, SEAL
250	1	C	322937-314	DRIER, FILTER, LIQUID
251	1	C	KH45LG141	DRIER, FILTER, SUCTION
500	1	-	HC40GE226	MOTOR, FAN
505	1	-	KAACH1201AAA.....	KIT, CRANKCASE HEATER (KA_CH)
515	1	-	KSAFT0101AAA	KIT, EVAPORATOR FREEZE THERMOSTAT (KA_FT)
520	1	-	KAATD0101TDR.....	KIT, TIME DELAY (KA_TD)
525	1	-	KAALS0201LLS.....	KIT, LIQUID SOLENOID VALVE (KA_LS)
540	1	-	KSACY0101AAA.....	KIT, CYCLE PROTECTOR (KS_CY)
550	1	-	KSALA0301410.....	KIT, LOW AMBIENT (KS_LA)
555	1	-	KSALA0601AAA	KIT, MOTORMASTER (KS_LA)
560	1	-	KSASH2101COP	KIT, SOUND BLANKET (KS_SH)
565	1	-	KSATX0501PUR.....	KIT, THERMOSTATIC EXPANSION VALVE
605	1	-	KAAWS0101AAA.....	KIT, WINTER START (KA_WS)
610	1	-	KAALP0401PUR.....	KIT, LOW-PRESSURE SWITCH (KA_LP)
620	1	-	KAahi0501PUR	KIT, HIGH-PRESSURE SWITCH (KS_HI)
630	1	-	KSASF0101AAA.....	KIT, SUPPORT FEET (KS_SF)