

**24ACC6  
Performance™ 16 Air Conditioner  
with Puron® Refrigerant  
1–1/2 to 5 Tons**



## Product Data



**Performance**  
**SERIES**

Carrier's Air Conditioners with Puron® refrigerant provide a collection of features unmatched by any other family of equipment. The 24ACC has been designed utilizing Carrier's Puron refrigerant. The environmentally sound refrigerant allows you to make a responsible decision in the protection of the earth's ozone layer.

This product has been designed and manufactured to meet Energy Star® criteria for energy efficiency when matched with appropriate coil components. Refer to the combination ratings in the Product Data for system combinations that meet Energy Star® guidelines.

**NOTE: Ratings contained in this document are subject to change at any time. Always refer to the AHRI directory ([www.ahridirectory.org](http://www.ahridirectory.org)) for the most up-to-date ratings information.**

### INDUSTRY LEADING FEATURES / BENEFITS

#### Efficiency

- 14 - 16.5 SEER / 11.5- 13.5 EER
- Microtube Technology™ refrigeration system
- Indoor air quality accessories available

#### Sound

- Sound level as low as 72 dBA
- Compressor sound blanket standard

#### Comfort

- System supports Edge® Thermidistat™ or standard thermostat controls

#### Reliability

- Puron® refrigerant - environmentally sound, won't deplete the ozone layer and low lifetime service cost.
- Scroll compressor
- Internal pressure relief valve
- Internal thermal overload
- Filter drier
- High and low pressure switches
- Balanced refrigeration system for maximum reliability

#### Durability

WeatherArmor Ultra™ protection package:

- Solid, durable sheet metal construction
- Louvered coil guard
- Baked-on, complete outer coverage, powder paint

#### Applications

- Long-line - up to 250 feet (76.20 m) total equivalent length, up to 200 feet (60.96 m) condenser above evaporator, or up to 80 ft. (24.38 m) evaporator above condenser (See Longline Guide for more information.)
- Low ambient (down to -20°F/-28.9°C)) with accessory kit

# MODEL NUMBER NOMENCLATURE

|                |                |               |              |           |                  |                   |               |               |             |                     |        |    |
|----------------|----------------|---------------|--------------|-----------|------------------|-------------------|---------------|---------------|-------------|---------------------|--------|----|
| 1              | 2              | 3             | 4            | 5         | 6                | 7                 | 8             | 9             | 10          | 11                  | 12     | 13 |
| N              | N              | A             | A            | A/N       | N                | N                 | N             | A/N           | A/N         | A/N                 | N      | N  |
| 2              | 4              | A             | C            | C         | 6                | 3                 | 6             | A             | 0           | 0                   | 3      | 0  |
| Product Series | Product Family | Tier          | Major Series | SEER      | Cooling Capacity | Grille Variations | Open          | Open          | Open        | Voltage             | Series |    |
| 24=AC          | A=RES AC       | C=Performance | C=Puron      | 6=16 SEER |                  | A = Standard      | 0=Not Defined | 0=Not Defined | 3=208/230-1 | 0 = Original Series |        |    |



Use of the AHRI Certified TM Mark indicates a manufacturer's participation in the program For verification of certification for individual products, go to [www.ahridirectory.org](http://www.ahridirectory.org).



This product has been designed and manufactured to meet Energy Star® criteria for energy efficiency when matched with appropriate coil components. However, proper refrigerant charge and proper air flow are critical to achieve rated capacity and efficiency. Installation of this product should follow all manufacturing refrigerant charging and air flow instructions. **Failure to confirm proper charge and air flow may reduce energy efficiency and shorten equipment life.**

## STANDARD FEATURES

| Feature                         | 18   | 24   | 30   | 36   | 42   | 48   | 60   |
|---------------------------------|------|------|------|------|------|------|------|
| Puron Refrigerant               | X    | X    | X    | X    | X    | X    | X    |
| Maximum SEER *                  | 16.0 | 16.0 | 16.5 | 16.5 | 16.0 | 16.0 | 16.0 |
| Scroll Compressor               | X    | X    | X    | X    | X    | X    | X    |
| Field Installed Filter Drier    | X    | X    | X    | X    | X    | X    | X    |
| Front Seating Service Valves    | X    | X    | X    | X    | X    | X    | X    |
| Internal Pressure Relief Valve  | X    | X    | X    | X    | X    | X    | X    |
| Internal Thermal Overload       | X    | X    | X    | X    | X    | X    | X    |
| Long Line capability            | X    | X    | X    | X    | X    | X    | X    |
| Low Ambient capability with Kit | X    | X    | X    | X    | X    | X    | X    |
| High Pressure Switch            | X    | X    | X    | X    | X    | X    | X    |
| Low Pressure Switch             | X    | X    | X    | X    | X    | X    | X    |
| Compressor Sound Blanket        | X    | X    | X    | X    | X    | X    | X    |
| Louvered Coil Guard             | X    | X    | X    | X    | X    | X    | X    |

\* With approved combinations

X = Standard

## PHYSICAL DATA

| UNIT SIZE – VOLTAGE, SERIES       | 18–30                        | 24–30       | 30–30       | 36–30       | 42–30       | 48–30        | 60–30        |
|-----------------------------------|------------------------------|-------------|-------------|-------------|-------------|--------------|--------------|
| Operating Weight lb (kg)          | 136 (61.7)                   | 163 (73.9)  | 167 (75.7)  | 180 (81.6)  | 234 (106.1) | 248 (112.5)  | 337 (152.9)  |
| Shipping Weight lb (kg)           | 163 (73.9)                   | 198 (89.8)  | 204 (92.5)  | 219 (99.3)  | 281 (127.5) | 291 (132.0)  | 372 (188.7)  |
| <b>Compressor Type</b>            | Scroll                       |             |             |             |             |              |              |
| <b>REFRIGERANT</b>                | Puron (R-410A)               |             |             |             |             |              |              |
| Control                           | TXV (Puron Hard Shutoff)     |             |             |             |             |              |              |
| Charge lb (kg)                    | 4.60 (2.09)                  | 6.00 (2.72) | 6.81 (3.09) | 7.00 (3.18) | 8.62 (3.91) | 10.50 (4.76) | 14.50 (6.58) |
| <b>COND FAN</b>                   | Propeller Type, Direct Drive |             |             |             |             |              |              |
| Air Discharge                     | Vertical                     |             |             |             |             |              |              |
| Air Qty (CFM)                     | 1881                         | 2614        | 2614        | 3223        | 3810        | 4046         | 4046         |
| Motor HP                          | 1/12                         | 1/10        | 1/10        | 1/12        | 1/5         | 1/4          | 1/4          |
| Motor RPM                         | 1100                         | 800         | 800         | 800         | 800         | 800          | 800          |
| <b>COND COIL</b>                  |                              |             |             |             |             |              |              |
| Face Area (Sq ft)                 | 11.50                        | 15.10       | 17.20       | 17.60       | 25.15       | 20.10        | 30.15        |
| Fins per In.                      | 25                           | 25          | 25          | 25          | 25          | 20           | 20           |
| Rows                              | 1                            | 1           | 1           | 1           | 1           | 2            | 2            |
| Circuits                          | 3                            | 4           | 4           | 4           | 6           | 7            | 8            |
| <b>VALVE CONNECT. (In. ID)</b>    |                              |             |             |             |             |              |              |
| Vapor                             | 3/4                          | 3/4         | 3/4         | 7/8         | 7/8         | 7/8          | 7/8          |
| Liquid                            | 3/8                          | 3/8         | 3/8         | 3/8         | 3/8         | 3/8          | 3/8          |
| <b>REFRIGERANT TUBES (In. OD)</b> |                              |             |             |             |             |              |              |
| Rated Vapor*                      | 3/4                          |             |             | 7/8         |             |              | 1 1/8        |
| Max Liquid Line                   | 3/8                          |             |             |             |             |              |              |

\* Units are rated with 25 ft (7.6 m) of lineset length. See Vapor Line Sizing and Cooling Capacity Loss table when using other sizes and lengths of lineset.  
**Note:** See unit Installation Instruction for proper installation.

† See *Liquid Line Sizing For Cooling Only Systems with Puron Refrigerant* tables.

24ACC6

# REFRIGERANT PIPING LENGTH LIMITATIONS

## Liquid Line Sizing and Maximum Total Equivalent Lengths† for Cooling Only Systems with Puron® Refrigerant:

The maximum allowable length of a residential split system depends on the liquid line diameter and vertical separation between indoor and outdoor units.

See Table below for liquid line sizing and maximum lengths :

### Maximum Total Equivalent Length Outdoor Unit BELOW Indoor Unit

| Size                | Liquid Line Connection | Liquid Line Diam. w/ TXV | AC with Puron Refrigerant Maximum Total Equivalent Length†: Outdoor unit BELOW Indoor Vertical Separation ft (m) |                |                 |                 |                  |                   |                   |                   |                   |
|---------------------|------------------------|--------------------------|--|----------------|-----------------|-----------------|------------------|-------------------|-------------------|-------------------|-------------------|
|                     |                        |                          | 0-5 (0-1.5)  | 6-10 (1.8-3.0) | 11-20 (3.4-6.1) | 21-30 (6.4-9.1) | 31-40 (9.4-12.2) | 41-50 (12.5-15.2) | 51-60 (15.5-18.3) | 61-70 (18.6-21.3) | 71-80 (21.6-24.4) |
| 18000 AC with Puron | 3/8                    | 1/4                      | 150  | 150            | 125             | 100             | 100              | 75                | --                | --                | --                |
|                     |                        | 5/16                     | 250*   | 250*           | 250*            | 250*            | 250*             | 250*              | 250*              | 225*              | 150               |
|                     |                        | 3/8                      | 250*   | 250*           | 250*            | 250*            | 250*             | 250*              | 250*              | 250*              | 250*              |
| 24000 AC with Puron | 3/8                    | 1/4                      | 75   | 75             | 75              | 50              | 50               | --                | --                | --                | --                |
|                     |                        | 5/16                     | 250*   | 250*           | 250*            | 250*            | 250*             | 225*              | 175               | 125               | 100               |
|                     |                        | 3/8                      | 250*   | 250*           | 250*            | 250*            | 250*             | 250*              | 250*              | 250*              | 250*              |
| 30000 AC with Puron | 3/8                    | 1/4                      | 30   | --             | --              | --              | --               | --                | --                | --                | --                |
|                     |                        | 5/16                     | 175  | 225*           | 200             | 175             | 125              | 100               | 75                | --                | --                |
|                     |                        | 3/8                      | 250*   | 250*           | 250*            | 250*            | 250*             | 250*              | 250*              | 250*              | 250*              |
| 36000 AC with Puron | 3/8                    | 5/16                     | 175  | 150            | 150             | 100             | 100              | 100               | 75                | --                | --                |
|                     |                        | 3/8                      | 250*   | 250*           | 250*            | 250*            | 250*             | 250*              | 250*              | 250*              | 250*              |
|                     |                        | 3/8                      | 250*   | 250*           | 250*            | 250*            | 250*             | 250*              | 250*              | 250*              | 250*              |
| 42000 AC with Puron | 3/8                    | 5/16                     | 125  | 100            | 100             | 75              | 75               | 50                | --                | --                | --                |
|                     |                        | 3/8                      | 250*   | 250*           | 250*            | 250*            | 250*             | 250*              | 250*              | 250*              | 150               |
| 48000 AC with Puron | 3/8                    | 3/8                      | 250*   | 250*           | 250*            | 250*            | 250*             | 250*              | 230               | 160               | --                |
| 60000 AC with Puron | 3/8                    | 3/8                      | 250*   | 250*           | 250*            | 225*            | 190              | 150               | 110               | --                | --                |

\* Maximum actual length not to exceed 200 ft (61 m)

† Total equivalent length accounts for losses due to elbows or fitting. See the Long Line Guideline for details.

-- = outside acceptable range

24ACC6

### Maximum Total Equivalent Length Outdoor Unit ABOVE Indoor Unit

| Size                | Liquid Line Connection | Liquid Line Diam. w/ TXV | AC with Puron Refrigerant Maximum Total Equivalent Length†: Outdoor unit ABOVE Indoor Vertical Separation ft (m) |                  |                   |                    |                     |                     |                     |                     |
|---------------------|------------------------|--------------------------|--|------------------|-------------------|--------------------|---------------------|---------------------|---------------------|---------------------|
|                     |                        |                          | 25 (7.6)   | 26-50 (7.9-15.2) | 51-75 (15.5-22.9) | 76-100 (23.2-30.5) | 101-125 (30.8-38.1) | 126-150 (38.4-45.7) | 151-175 (46.0-53.3) | 176-200 (53.6-61.0) |
| 18000 AC with Puron | 3/8                    | 1/4                      | 175  | 250*             | 250*              | 250*               | 250*                | 250*                | 250*                | 250*                |
|                     |                        | 5/16                     | 250*   | 250*             | 250*              | 250*               | 250*                | 250*                | 250*                | 250*                |
|                     |                        | 3/8                      | 250*   | 250*             | 250*              | 250*               | 250*                | 250*                | 250*                | 250*                |
| 24000 AC with Puron | 3/8                    | 1/4                      | 100  | 125              | 175               | 200                | 225*                | 250*                | 250*                | 250*                |
|                     |                        | 5/16                     | 250*   | 250*             | 250*              | 250*               | 250*                | 250*                | 250*                | 250*                |
|                     |                        | 3/8                      | 250*   | 250*             | 250*              | 250*               | 250*                | 250*                | 250*                | 250*                |
| 30000 AC with Puron | 3/8                    | 1/4                      | 30   | --               | --                | --                 | --                  | --                  | --                  | --                  |
|                     |                        | 5/16                     | 250*   | 250*             | 250*              | 250*               | 250*                | 250*                | 250*                | 250*                |
|                     |                        | 3/8                      | 250*   | 250*             | 250*              | 250*               | 250*                | 250*                | 250*                | 250*                |
| 36000 AC with Puron | 3/8                    | 5/16                     | 225*   | 250*             | 250*              | 250*               | 250*                | 250*                | 250*                | 250*                |
|                     |                        | 3/8                      | 250*   | 250*             | 250*              | 250*               | 250*                | 250*                | 250*                | 250*                |
| 42000 AC with Puron | 3/8                    | 5/16                     | 175  | 200              | 250*              | 250*               | 250*                | 250*                | 250*                | 250*                |
|                     |                        | 3/8                      | 250*   | 250*             | 250*              | 250*               | 250*                | 250*                | 250*                | 250*                |
| 48000 AC with Puron | 3/8                    | 3/8                      | 250*   | 250*             | 250*              | 250*               | 250*                | 250*                | 250*                | 250*                |
| 60000 AC with Puron | 3/8                    | 3/8                      | 250*   | 250*             | 250*              | 250*               | 250*                | 250*                | 250*                | 250*                |

\* Maximum actual length not to exceed 200 ft (61 m)

† Total equivalent length accounts for losses due to elbows or fitting. See the Long Line Guideline for details.

-- = outside acceptable range

## REFRIGERANT CHARGE ADJUSTMENTS

| Liquid Line Size | Puron Charge oz/ft                          |
|------------------|---|
| 3/8              | 0.60<br>(Factory charge for lineset = 9 oz) |
| 5/16             | 0.40  |
| 1/4              | 0.27  |

Units are factory charged for 15 ft (4.6 m) of 3/8" liquid line. The factory charge for 3/8" lineset 9 oz. When using other length or diameter liquid lines, charge adjustments are required per the chart above.

### **Charging Formula:**

[(Lineset oz/ft x total length) – (factory charge for lineset)] = charge adjustment

**Example 1:** System has 15 ft of line set using existing 1/4" liquid line. What charge adjustment is required?

Formula: (.27 oz/ft x 15ft) – (9 oz) = (-4.95) oz.

Net result is to remove 4.95 oz of refrigerant from the system

**Example 2:** System has 45 ft of existing 5/16" liquid line. What is the charge adjustment?

Formula: (.40 oz/ft. x 45ft) – (9 oz.) = 9 oz.

Net result is to add 9 oz of refrigerant to the system

## LONG LINE APPLICATIONS

An application is considered Long Line, when the refrigerant level in the system requires the use of accessories to maintain acceptable refrigerant management for systems reliability. See Accessory Usage Guideline table for required accessories. Defining a system as long line depends on the liquid line diameter, actual length of the tubing, and vertical separation between the indoor and outdoor units.

For Air Conditioner systems, the chart below shows when an application is considered Long Line.

### AC WITH PURON® REFRIGERANT LONG LINE DESCRIPTION ft (m) Beyond these lengths, long line accessories are required

| Liquid Line Size | Units On Same Level                          | Outdoor Below Indoor                         | Outdoor Above Indoor |
|------------------|--|--|----------------------|
| 1/4              | No accessories needed within allowed lengths | No accessories needed within allowed lengths | 175 (53.3)           |
| 5/16             | 120 (36.6)                                   | 50 (15.2)                                    | 120 (36.6)           |
| 3/8              | 80 (24.4)                                    | 35 (10.7)                                    | 80 (24.4)            |

**Note:** See Long Line Guideline for details

## VAPOR LINE SIZING AND COOLING CAPACITY LOSS

Acceptable vapor line diameters provide adequate oil return to the compressor while avoiding excessive capacity loss. The suction line diameters shown in the chart below are acceptable for AC systems with Puron refrigerant:

| Unit Nominal Size (Btuh)             | Maximum Liquid Line Diameters (In. OD) | Vapor Line Diameters (In. OD) | Cooling Capacity Loss (%)<br>Total Equivalent Line Length ft. (m) |                      |                       |                        |                        |                        |                        |                        |                        |
|--------------------------------------|--|-------------------------------|---|----------------------|-----------------------|------------------------|------------------------|------------------------|------------------------|------------------------|------------------------|
|                                      |  |                               | 26–50<br>(7.9–15.2)   | 51–80<br>(15.5–24.4) | 81–100<br>(24.7–30.5) | 101–125<br>(30.8–38.1) | 126–150<br>(38.4–45.7) | 151–175<br>(46.0–53.3) | 176–200<br>(53.6–61.0) | 201–225<br>(61.3–68.6) | 226–250<br>(68.9–76.2) |
| 18000<br>1 Stage<br>AC with<br>Puron | 3/8                                    | 1/2                           | 1   | 2                    | 3                     | 5                      | 6                      | 7                      | 8                      | 9                      | 11                     |
|                                      |  | 5/8                           | 0   | 1                    | 1                     | 1                      | 2                      | 2                      | 2                      | 3                      | 3                      |
|                                      |  | 3/4                           | 0   | 0                    | 0                     | 0                      | 1                      | 1                      | 1                      | 1                      | 1                      |
| 24000<br>1 Stage<br>AC with<br>Puron | 3/8                                    | 5/8                           | 0   | 1                    | 2                     | 2                      | 3                      | 3                      | 4                      | 5                      | 5                      |
|                                      |  | 3/4                           | 0   | 0                    | 1                     | 1                      | 1                      | 1                      | 1                      | 2                      | 2                      |
|                                      |  | 7/8                           | 0   | 0                    | 0                     | 0                      | 0                      | 1                      | 1                      | 1                      | 1                      |
| 30000<br>1 Stage<br>AC with<br>Puron | 3/8                                    | 5/8                           | 1   | 2                    | 3                     | 3                      | 4                      | 5                      | 6                      | 7                      | 8                      |
|                                      |  | 3/4                           | 0   | 0                    | 1                     | 1                      | 1                      | 2                      | 2                      | 2                      | 3                      |
|                                      |  | 7/8                           | 0   | 0                    | 0                     | 0                      | 1                      | 1                      | 1                      | 1                      | 1                      |
| 36000<br>1 Stage<br>AC with<br>Puron | 3/8                                    | 5/8                           | 1   | 2                    | 4                     | 5                      | 6                      | 8                      | 9                      | 10                     | 12                     |
|                                      |  | 3/4                           | 0   | 1                    | 1                     | 2                      | 2                      | 3                      | 3                      | 4                      | 4                      |
|                                      |  | 7/8                           | 0   | 0                    | 0                     | 1                      | 1                      | 1                      | 1                      | 2                      | 2                      |
| 42000<br>1 Stage<br>AC with<br>Puron | 3/8                                    | 3/4                           | 0   | 1                    | 2                     | 2                      | 3                      | 4                      | 4                      | 5                      | 6                      |
|                                      |  | 7/8                           | 0   | 0                    | 1                     | 1                      | 1                      | 2                      | 2                      | 2                      | 3                      |
|                                      |  | 1 1/8                         | 0   | 0                    | 0                     | 0                      | 0                      | 0                      | 0                      | 0                      | 0                      |
| 48000<br>1 Stage<br>AC with<br>Puron | 3/8                                    | 3/4                           | 0   | 1                    | 2                     | 3                      | 4                      | 5                      | 5                      | 6                      | 7                      |
|                                      |  | 7/8                           | 0   | 0                    | 1                     | 1                      | 2                      | 2                      | 2                      | 3                      | 3                      |
|                                      |  | 1 1/8                         | 0   | 0                    | 0                     | 0                      | 0                      | 0                      | 0                      | 1                      | 1                      |
| 60000<br>1 Stage<br>AC with<br>Puron | 3/8                                    | 3/4                           | 1   | 2                    | 4                     | 5                      | 6                      | 7                      | 9                      | 10                     | 11                     |
|                                      |  | 7/8                           | 0   | 1                    | 2                     | 2                      | 3                      | 4                      | 4                      | 5                      | 5                      |
|                                      |  | 1 1/8                         | 0   | 0                    | 0                     | 1                      | 1                      | 1                      | 1                      | 1                      | 1                      |

Applications in this area may be long line and may have height restrictions. See the *Residential Piping and Long Line Guideline*.

# ACCESSORY THERMOSTATS

| PART NUMBER        | PROGRAM | GAS | ELECTRIC | HEAT PUMP | HYBRID HEAT | HEAT | COOL |
|--------------------|---------|-----|----------|-----------|-------------|------|------|
| <b>Performance</b> |         |     |          |           |             |      |      |
| TP-PRH01-A         | 7-Day   | √   | √        | √         | √           | 3    | 2    |
| TP-PAC01           | 7-Day   | √   | √        |           |             | 1    | 1    |
| TP-NRH01-A         | NP      | √   | √        | √         | √           | 3    | 2    |
| TP-NAC01           | NP      | √   | √        |           |             | 1    | 1    |

| <b>THERMOSTAT ACCESSORIES</b> |   |   |
|-------------------------------|---|---|
| PART NUMBER                   | BRIEF DESCRIPTION                                 | THERMOSTATS USED WITH                     |
| SYSTXCCRRS01                  | Indoor Remote Room Temperature Sensor             | All TP – thermostats                      |
| TP-EXP01-A                    | Exp $\square$ Computer Programming Accessory      | TP – P thermostats                        |
| TSTATXXCNV10 $\ddagger$       | Thermostat Conversion Kit (4 to 5 wire) – 10 pack | All Carrier $\square$ branded thermostats |
| TX-LBP01                      | Large Decorative Backplate                        | TP – Pxx, TP – Nxx, TC – Pxx              |
| TSTATXXSEN01 – B*             | Outdoor Air Temperature Sensor                    | All TP – thermostats                      |

# ACCESSORIES

| KIT NUMBER   | DESCRIPTION            | 18-30 | 24-30 | 30-30 | 36-30 | 42-30 | 48-30 | 60-30 |
|--------------|------------------------|-------|-------|-------|-------|-------|-------|-------|
| KAFT0101AAA  | FREEZE THERMOSTAT      | X     | X     | X     | X     | X     | X     | X     |
| KAATD0101TDR | TIME DELAY RELAY       | X     | X     | X     | X     | X     | X     | X     |
| KSALA0301410 | LOW AMBIENT PSW        | X     | X     | X     | X     | X     | X     | X     |
| KSALA0601AAA | MOTORMASTER 230V       | X     | X     | X     | X     | X     | X     | X     |
| HC32GE234    | MOTOR FAN BALL BEARING | X     |       |       |       |       |       |       |
| HC34GE240    | MOTOR FAN BALL BEARING |       | X     | X     |       |       |       |       |
| HC32GE229    | MOTOR FAN BALL BEARING |       |       |       | X     |       |       |       |
| HC38GE228    | MOTOR FAN BALL BEARING |       |       |       |       | X     |       |       |
| HC40GE228    | MOTOR FAN BALL BEARING |       |       |       |       |       | X     | X     |
| KAHS1701AAA  | HARD START (CAP/RELAY) | X     | X     | X     | X     | X     | X     | X     |
| KSACY0101AAA | CYCLE PROTECTOR        | X     | X     | X     | X     | X     | X     | X     |
| KSASF0101AAA | SUPPORT FEET           | X     | X     | X     | X     | X     | X     | X     |
| KAACS0201PTC | START ASSIST PTC       | X     | X     | X     | X     | X     | X     | X     |
| KAALS0201LLS | LIQUID LINE SOLENOID   | X     | X     | X     | X     | X     | X     | X     |
| KAWS0101AAA  | WINTER START           | X     | X     | X     | X     | X     | X     | X     |
| KAACH1701AAA | CRANKCASE HTR          | X     | X     | X     | X     |       |       |       |
| KAACH1601AAA | CRANKCASE HTR          |       |       |       |       | X     | S     | S     |
| KSATX0201PUR | TXV PURON HSO          | X     | X     | X     |       |       |       |       |
| KSATX0301PUR | TXV PURON HSO          |       |       |       | X     |       |       |       |
| KSATX0401PUR | TXV PURON HSO          |       |       |       |       | X     |       |       |
| KSATX0501PUR | TXV PURON HSO          |       |       |       |       |       | X     | X     |

$\ddagger$  Required accessories include ball bearing fan motor, compressor start assist (CAP / Relay), crankcase heater, evaporator freeze stat, hard shut-off TXV.  
X = Accessory / S – Standard

24ACC6

# ACCESSORY USAGE GUIDELINE

| ACCESSORY   | REQUIRED FOR LOW-AMBI-<br>ENT COOLING APPLICATIONS<br>(Below 55°F/12.8°C) | REQUIRED FOR LONG<br>LINE<br>APPLICATIONS*<br>(Over 80 ft./24.38 m) | REQUIRED FOR<br>SEA COAST<br>APPLICATIONS<br>(Within 2 miles/3.22 km) |
|---|---|---|---|
| Ball Bearing Fan Motor                                  | Yes†  | No  | No  |
| Compressor Start Assist Capacitor and Relay             | Yes   | Yes   | No  |
| Crankcase Heater  | Yes   | Yes   | No  |
| Evaporator Freeze Thermostat                            | Yes   | No  | No  |
| Hard Shut-Off TXV                                       | Yes   | Yes   | Yes   |
| Liquid Line Solenoid Valve                              | No  | No  | No  |
| Motor Master® Control or<br>Low-ambient Pressure Switch | Yes   | No  | No  |
| Support Feet  | Recommended   | No  | Recommended   |
| Winter Start Control                                    | Yes   | No  | No  |

\* For tubing line sets between 80 and 200 ft. (24.38 and 60.96 m) and/or 20 ft. (6.09 m) vertical differential, refer to Residential Split-System Longline Application Guideline.

† Required for Low-Ambient Controller (full modulation feature) MotorMaster® Control.

## Accessory Description and Usage (Listed Alphabetically)

### 1. Ball-Bearing Fan Motor

A fan motor with ball bearings which permits speed reduction while maintaining bearing lubrication.

Usage Guideline:

Required on all units when MotorMaster® is used.

### 2. Compressor Start Assist - Capacitor and Relay

Start capacitor and relay gives a "hard" boost to compressor motor at each start up.

Usage Guideline:

Required for reciprocating compressors in the following applications:

Long line

Low ambient cooling

Hard shut off expansion valve on indoor coil

Liquid line solenoid on indoor coil

Required for single-phase scroll compressors in the following applications:

Long line

Low ambient cooling

Suggested for all compressors in areas with a history of low voltage problems.

### 3. Compressor Start Assist — PTC Type

Solid state electrical device which gives a "soft" boost to the compressor at each start-up.

Usage Guideline:

Suggested in installations with marginal power supply.

### 4. Crankcase Heater

An electric resistance heater which mounts to the base of the compressor to keep the lubricant warm during off cycles. Improves compressor lubrication on restart and minimizes the chance of liquid slugging.

Usage Guideline:

Required in low ambient cooling applications.

Required in long line applications.

Suggested in all commercial applications.

### 5. Cycle Protector

The cycle protector is designed to prevent compressor short cycling. This control provides an approximate 5-minute delay after power to the compressor has been interrupted for any reason, including power outage, protector control trip, thermostat jiggling, or normal cycling.

### 6. Evaporator Freeze Thermostat

An SPST temperature-actuated switch that stops unit operation when evaporator reaches freeze-up conditions.

Usage Guideline:

Required when low ambient kit has been added.

### 7. Low-Ambient Pressure Switch Kit

A long life pressure switch which is mounted to outdoor unit service valve. It is designed to cycle the outdoor fan motor in order to maintain head pressure within normal operating limits (approximately 100 psig to 225 psig). The control will maintain working head pressure at low-ambient temperatures down to 0°F (-18°C) when properly installed.

Usage Guideline:

A Low-Ambient Pressure Switch or MotorMaster® Low-Ambient Controller must be used when cooling operation is used at outdoor temperatures below 55°F (12.8°C).

### 8. MotorMaster® Low-Ambient Controller

A fan-speed control device activated by a temperature sensor, designed to control condenser fan motor speed in response to the saturated, condensing temperature during operation in cooling mode only. For outdoor temperatures down to -20°F (-28.9°C), it maintains condensing temperature at 100°F ±10°F (37.8°C ± 5.5°C).

Usage Guideline:

A MotorMaster® Low Ambient Controller or Low-Ambient Pressure Switch must be used when cooling operation is used at outdoor temperatures below 55°F (12.8°C).

Suggested for all commercial applications.

### 9. Outdoor Air Temperature Sensor

Designed for use with Carrier Thermostats listed in this publication. This device enables the thermostat to display the outdoor temperature. This device also

is required to enable special thermostat features such as auxiliary heat lock out.

Usage Guideline:

Suggested for all Carrier thermostats listed in this publication.

## Accessory Description and Usage (Listed Alphabetically) (Continued)

### 10. Support Feet

Four stick-on plastic feet that raise the unit 4 in. (101.6 mm) above the mounting pad. This allows sand, dirt, and other debris to be flushed from the unit base, minimizing corrosion.

Usage Guideline:

Suggested in the following applications:

Coastal installations.

Windy areas or where debris is normally circulating.

Rooftop installations.

For improved sound ratings.

### 11. Thermostatic Expansion Valve (TXV)

A modulating flow-control valve which meters refrigerant liquid flow rate into the evaporator in response to the superheat of the refrigerant gas leaving the evaporator.

Kit includes valve, adapter tubes, and external equalizer tube. Hard shut off types are available.

**NOTE:** When using a hard shut off TXV with single phase reciprocating compressors, a Compressor Start Assist Capacitor and Relay is required.

Usage Guideline:

Required to achieve AHRI ratings in certain equipment

combinations. Refer to combination ratings.

Hard shut off TXV or LLS required in air conditioner long line applications.

Required for use on all zoning systems.

### 12. Time-Delay Relay

An SPST delay relay which briefly continues operation of indoor blower motor to provide additional cooling after the compressor cycles off.

**NOTE:** Most indoor unit controls include this feature. For those that do not, use the guideline below.

Usage Guideline:

For improved efficiency ratings for certain combinations of indoor and outdoor units. Refer to AHRI Unitary Directory.

### 13. Winter Start Control

This control is designed to alleviate nuisance opening of the low-pressure switch by bypassing it for the first 3 minutes of operation.

# ELECTRICAL DATA

| UNIT SIZE | V/PH         | OPER VOLTS* |     | COMPR |      | FAN  | MCA  | MIN WIRE SIZE†<br>60° C | MIN WIRE SIZE†<br>75° C | MAX LENGTH<br>ft. (m)‡<br>60° C | MAX LENGTH<br>ft. (m)‡<br>75° C | MAX FUSE**<br>or CKT<br>BRK<br>AMPS |
|-----------|--------------|-------------|-----|-------|------|------|------|-------------------------|-------------------------|---------------------------------|---------------------------------|-------------------------------------|
|           |              | MAX         | MIN | LRA   | RLA  | FLA  |      |                         |                         |                                 |                                 |                                     |
| 18-30     | 208/230/1-60 | 253         | 197 | 48.0  | 9.0  | 0.50 | 11.8 | 14                      | 14                      | 67 (20.4)                       | 64 (19.5)                       | 20                                  |
| 24-30     |              |             |     | 58.3  | 13.5 | 0.70 | 17.6 | 14                      | 14                      | 46 (14.0)                       | 43 (13.1)                       | 25                                  |
| 30-30     |              |             |     | 64.0  | 12.8 | 0.70 | 16.7 | 14                      | 14                      | 44 (13.4)                       | 41 (12.5)                       | 25                                  |
| 36-30     |              |             |     | 77.0  | 14.1 | 0.50 | 18.1 | 12                      | 12                      | 57 (17.4)                       | 54 (16.5)                       | 30                                  |
| 42-30     |              |             |     | 112.0 | 17.9 | 1.20 | 23.6 | 10                      | 10                      | 85 (25.9)                       | 81 (24.7)                       | 40                                  |
| 48-30     |              |             |     | 109.0 | 19.9 | 1.20 | 26.1 | 10                      | 10                      | 70 (21.3)                       | 67 (20.4)                       | 40                                  |
| 60-30     |              |             |     | 135.0 | 21.4 | 1.20 | 28.0 | 8                       | 10                      | 91 (27.7)                       | 56 (17.1)                       | 40                                  |

\* Permissible limits of the voltage range at which the unit will operate satisfactorily

† If wire is applied at ambient greater than 30°C, consult table 310-16 of the NEC (NFPA 70). The ampacity of non-metallic-sheathed cable (NM), trade name ROMEX, shall be that of 60°C conditions, per the NEC (NFPA 70) Article 336-26. If other than uncoated (no-plated), 60 or 75°C insulation, copper wire (solid wire for 10 AWG or smaller, stranded wire for larger than 10 AWG) is used, consult applicable tables of the NEC (NFPA 70).

‡ Length shown is as measured one way along wire path between unit and service panel for voltage drop not to exceed 2%.

\*\* Time-Delay fuse.

- FLA – Full Load Amps
- LRA – Locked Rotor Amps
- MCA – Minimum Circuit Amps
- RLA – Rated Load Amps

**NOTE:** Control circuit is 24-V on all units and requires external power source. Copper wire must be used from service disconnect to unit. All motors/compressors contain internal overload protection.

Complies with 2010 requirements of ASHRAE Standards 90.1

24ACC6

## A-WEIGHTED SOUND POWER LEVEL (dBA)

| Unit Size –<br>Voltage, Series | Standard<br>Rating (dBA) | TYPICAL OCTAVE BAND SPECTRUM (dBA without tone adjustment) |      |      |      |      |      |      |
|--------------------------------|--------------------------|--|------|------|------|------|------|------|
|                                |                          | 125  | 250  | 500  | 1000 | 2000 | 4000 | 8000 |
| 18-30                          | 73                       | 49.5   | 58.5 | 64.5 | 69.0 | 63.0 | 59.5 | 52.4 |
| 24-30                          | 74                       | 54.5   | 62.0 | 67.0 | 71.5 | 66.0 | 62.0 | 53.0 |
| 30-30                          | 74                       | 56.0   | 62.5 | 66.0 | 68.5 | 64.5 | 61.0 | 53.5 |
| 36-30                          | 72                       | 52.0   | 61.0 | 64.0 | 66.0 | 61.0 | 58.5 | 51.5 |
| 42-30                          | 74                       | 56.5   | 61.5 | 65.0 | 66.5 | 63.5 | 61.0 | 56.5 |
| 48-30                          | 73                       | 58.0   | 61.0 | 65.0 | 66.0 | 62.0 | 58.0 | 51.0 |
| 60-30                          | 74                       | 56.5   | 62.5 | 66.5 | 68.0 | 63.0 | 59.5 | 51.5 |

**NOTE:** Tested in accordance with AHRI Standard 270-08 (not listed in AHRI).

## CHARGING SUBCOOLING (TXV-TYPE EXPANSION DEVICE)


| UNIT SIZE – VOLTAGE, SERIES | REQUIRED SUBCOOLING °F (°C) |
|-----------------------------|-----------------------------|
| 18-30                       | 10 (5.6)                    |
| 24-30                       | 10 (5.6)                    |
| 30-30                       | 10 (5.6)                    |
| 36-30                       | 10 (5.6)                    |
| 42-30                       | 9 (5.0)                     |
| 48-30                       | 10 (5.6)                    |
| 60-30                       | 9 (5.0)                     |

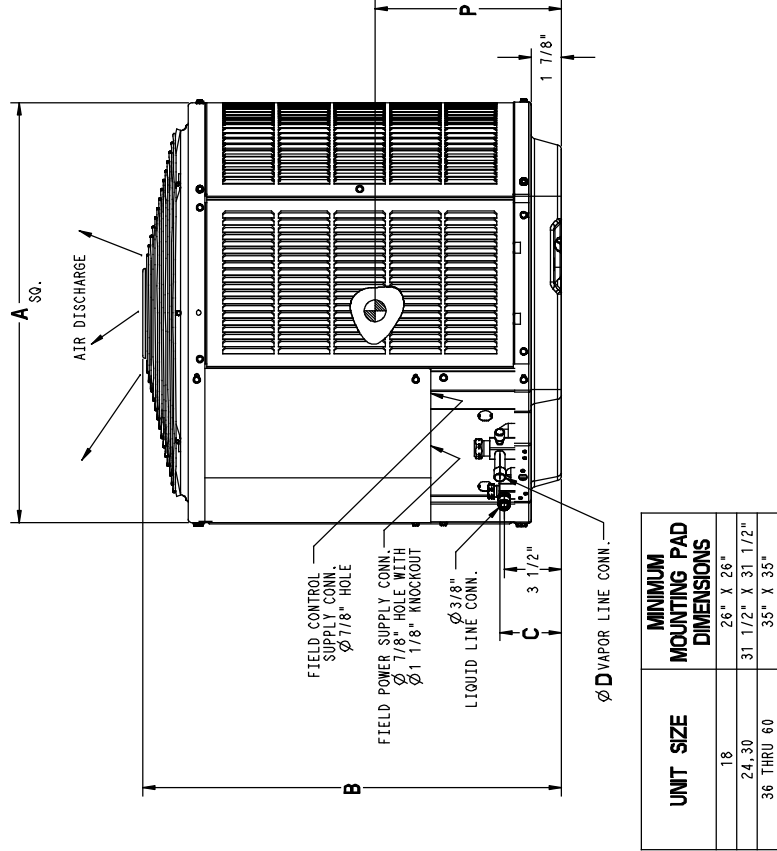
# DIMENSIONS - ENGLISH

| UNIT     | SERIES | ELECTRICAL CHARACTERISTICS | A        | B         | C      | D    | E       | F         | G        | K        | L    | M       | N       | P       | OPERATING WEIGHT (lbs) | SHIPPING WEIGHT (lbs) | SHIPPING DIMENSIONS (L x W x H) |
|----------|--------|----------------------------|----------|-----------|--------|------|---------|-----------|----------|----------|------|---------|---------|---------|------------------------|-----------------------|---------------------------------|
| 24ACC618 | 0      | X 0 0 0                    | 25 3/4"  | 28 11/16" | 3 3/4" | 3/4" | 4 7/16" | 21 1/4"   | 7 13/16" | 2 13/16" | 1/2" | 13 1/4" | 13 3/4" | 12 3/4" | 136                    | 163                   | 26 7/8" X 30 1/16" X 32 9/16"   |
| 24ACC624 | 0      | X 0 0 0                    | 31 3/16" | 28 5/16"  | 3 3/4" | 3/4" | 6 9/16" | 24 11/16" | 9 1/8"   | 2 13/16" | 1/2" | 15 5/8" | 15 1/2" | 14"     | 163                    | 198                   | 32 3/8" X 35 1/2" X 32 9/16"    |
| 24ACC630 | 0      | X 0 0 0                    | 31 3/16" | 32 5/16"  | 3 3/4" | 3/4" | 6 9/16" | 24 11/16" | 9 1/8"   | 2 13/16" | 1/2" | 16 1/2" | 15"     | 14 3/4" | 167                    | 204                   | 32 3/8" X 35 1/2" X 35 15/16"   |
| 24ACC636 | 0      | X 0 0 0                    | 35"      | 28 5/16"  | 3 7/8" | 7/8" | 6 9/16" | 28 7/16"  | 9 1/8"   | 2 15/16" | 5/8" | 18 1/4" | 16 7/8" | 14"     | 180                    | 219                   | 36 1/8" X 39 5/16" X 32 9/16"   |
| 24ACC642 | 0      | X 0 0 0                    | 35"      | 39 1/8"   | 3 7/8" | 7/8" | 6 9/16" | 28 7/16"  | 9 1/8"   | 2 15/16" | 5/8" | 18"     | 16"     | 17 1/2" | 234                    | 281                   | 36 1/8" X 39 5/16" X 42 3/4"    |
| 24ACC648 | 0      | X 0 0 0                    | 35"      | 32 5/16"  | 3 7/8" | 7/8" | 6 9/16" | 28 7/16"  | 9 1/8"   | 2 15/16" | 5/8" | 17"     | 17 1/2" | 14"     | 248                    | 291                   | 36 1/8" X 39 5/16" X 35 15/16"  |
| 24ACC660 | 0      | X 0 0 0                    | 35"      | 45 15/16" | 3 7/8" | 7/8" | 6 9/16" | 28 7/16"  | 9 1/8"   | 2 15/16" | 5/8" | 17 7/8" | 18 5/8" | 20 1/4" | 337                    | 372                   | 36 1/8" X 39 5/16" X 49 9/16"   |

X = YES  
0 = NO

**NOTES:**

1. ALLOW 30" CLEARANCE TO SERVICE SIDE OF UNIT, 48" ABOVE UNIT, 6" ON ONE SIDE, 12" ON REMAINING SIDE, AND 24" BETWEEN UNITS FOR PROPER AIRFLOW.
2. MINIMUM OUTDOOR OPERATING AMBIENT IN COOLING MODE IS 55° F, MAX. 125° F.
3. SERIES DESIGNATION IS THE 13TH POSITION OF THE UNIT MODEL NUMBER.
4. CENTER OF GRAVITY 
5. ALL DIMENSIONS ARE IN "INCHES" UNLESS NOTED.



| UNIT SIZE  | MINIMUM MOUNTING PAD DIMENSIONS |
|------------|---------------------------------|
| 18         | 26" X 26"                       |
| 24,30      | 31 1/2" X 31 1/2"               |
| 36 THRU 60 | 35" X 35"                       |

**24ACC6**

# 24ACC6


## DIMENSIONS - SI

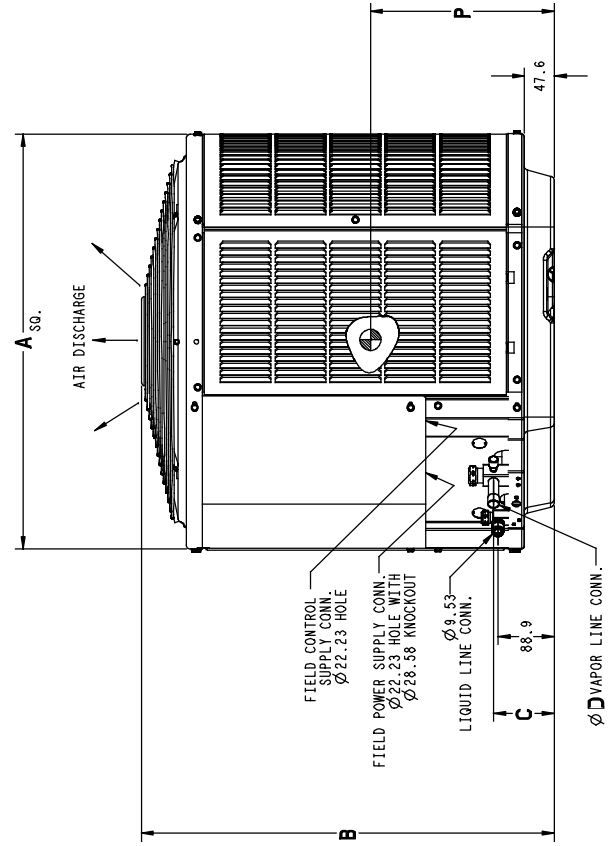
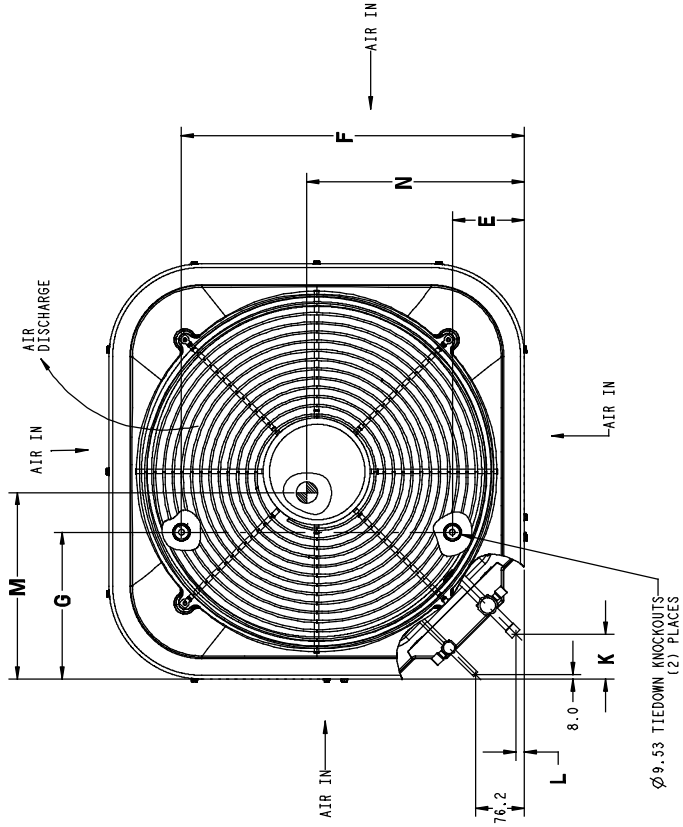
| UNIT     | SERIES | ELECTRICAL CHARACTERISTICS | A     | B      | C    | D    | E     | F     | G     | K    | L    | M     | N     | P     | OPERATING WEIGHT (Kgs) | SHIPPING WEIGHT (Kgs) | SHIPPING DIMENSIONS (L x W x H) |
|----------|--------|----------------------------|-------|--------|------|------|-------|-------|-------|------|------|-------|-------|-------|------------------------|-----------------------|---------------------------------|
| 24ACC618 | 0      | X 0 0 0                    | 654.0 | 728.7  | 95.2 | 19.0 | 112.7 | 539.8 | 198.4 | 71.4 | 12.7 | 336.6 | 349.3 | 323.9 | 61.7                   | 73.9                  | 682.6 X 763.6 X 827.1           |
| 24ACC624 | 0      | X 0 0 0                    | 792.2 | 719.2  | 95.2 | 19.0 | 166.7 | 627.1 | 231.8 | 71.4 | 12.7 | 398.9 | 393.7 | 355.6 | 73.9                   | 89.8                  | 822.3 X 901.7 X 827.1           |
| 24ACC630 | 0      | X 0 0 0                    | 792.2 | 820.8  | 95.2 | 19.0 | 166.7 | 627.1 | 231.8 | 71.4 | 12.7 | 419.1 | 381.0 | 374.7 | 75.7                   | 92.5                  | 822.3 X 901.7 X 912.8           |
| 24ACC636 | 0      | X 0 0 0                    | 889.0 | 719.2  | 98.6 | 22.2 | 166.7 | 722.3 | 231.8 | 74.6 | 15.9 | 463.6 | 428.6 | 355.6 | 81.6                   | 99.3                  | 917.6 X 998.6 X 827.1           |
| 24ACC642 | 0      | X 0 0 0                    | 889.0 | 993.8  | 98.6 | 22.2 | 166.7 | 722.3 | 231.8 | 74.6 | 15.9 | 457.2 | 406.4 | 444.5 | 106.1                  | 127.5                 | 917.6 X 998.6 X 1085.8          |
| 24ACC648 | 0      | X 0 0 0                    | 889.0 | 820.8  | 98.6 | 22.2 | 166.7 | 722.3 | 231.8 | 74.6 | 15.9 | 431.8 | 444.5 | 355.6 | 112.5                  | 132.0                 | 917.6 X 998.6 X 912.8           |
| 24ACC660 | 0      | X 0 0 0                    | 889.0 | 1166.8 | 98.6 | 22.2 | 166.7 | 722.3 | 231.8 | 74.6 | 15.9 | 454.0 | 473.1 | 514.4 | 152.9                  | 168.7                 | 917.6 X 998.6 X 1173.2          |

X = YES  
O = NO

|             |             |         |
|-------------|-------------|---------|
| 208-230-160 | 208/230-360 | 460-360 |
|-------------|-------------|---------|

### NOTES:

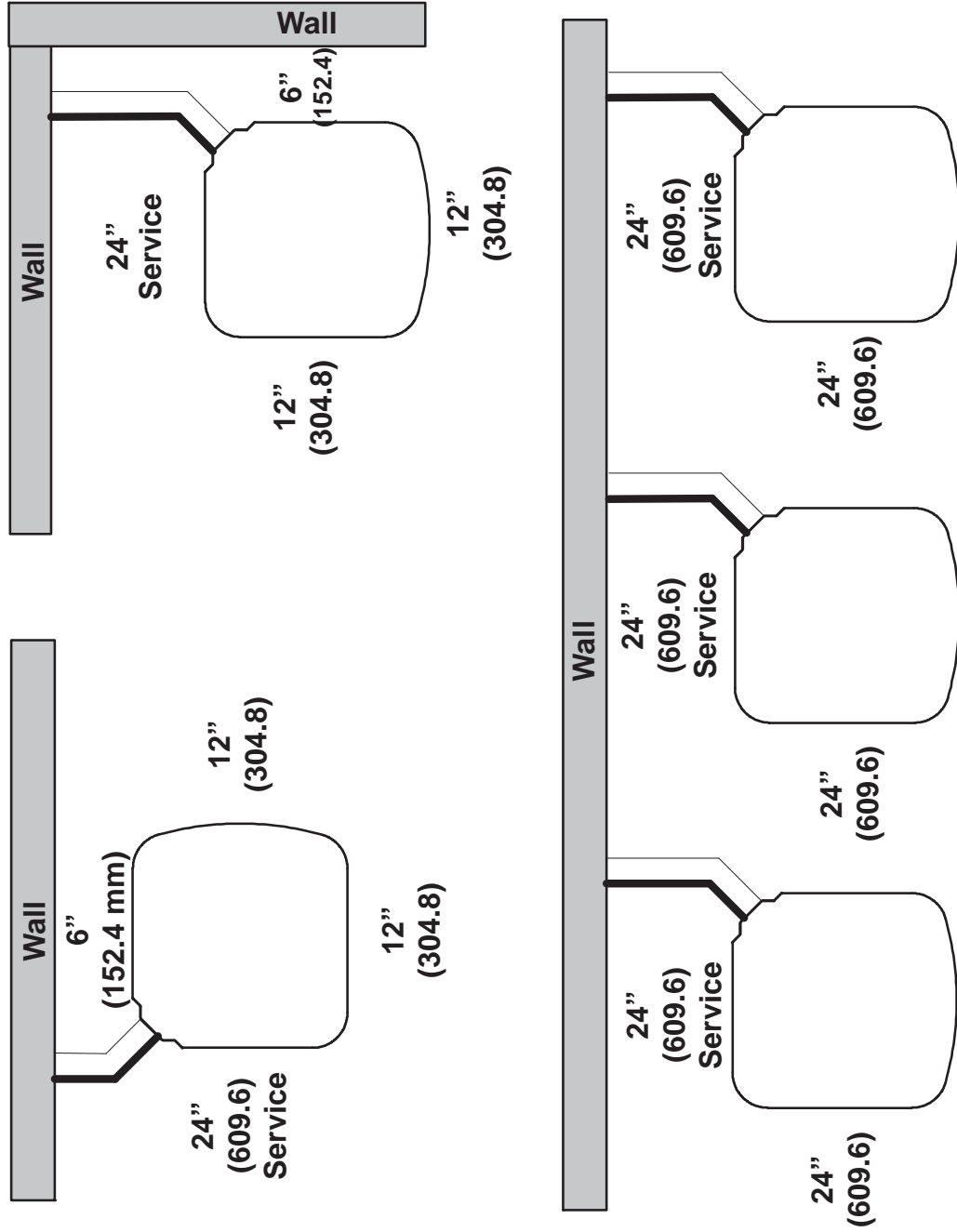
1. ALLOW 762.0 CLEARANCE TO SERVICE SIDE OF UNIT, 1219.2 ABOVE UNIT, 152.4 ON ONE SIDE, 304.8 ON REMAINING SIDE, AND 609.6 BETWEEN UNITS FOR PROPER AIRFLOW.
2. MINIMUM OUTDOOR OPERATING AMBIENT IN COOLING MODE IS 13°C, MAX. 52°C.
3. SERIES DESIGNATION IS THE 10TH POSITION OF THE UNIT MODEL NUMBER.
4. CENTER OF GRAVITY .
5. ALL DIMENSIONS ARE IN "MM" UNLESS NOTED.



| UNIT SIZE  | MINIMUM MOUNTING PAD DIMENSIONS |
|------------|---------------------------------|
| 18         | 660.4 X 660.4                   |
| 24,30      | 800.1 X 800.1                   |
| 36 THRU 60 | 889.0 X 889.0                   |

# CLEARANCES

Clearances (various examples)



**Note:** Numbers in ( ) = mm

**IMPORTANT:** When installing multiple units in an alcove, roof well, or partially enclosed area, ensure there is adequate ventilation to prevent re-circulation of discharge air.

# TESTED AHRI COMBINATION RATINGS\*

NOTE: Ratings contained in this document are subject to change at any time.

For AHRI ratings certificates, please refer to the AHRI directory [www.ahridirectory.org](http://www.ahridirectory.org)

Additional ratings and system combinations can be accessed via the Carrier database at:

[http://cactaxcredits.info/carrier-ratings/ac\\_ratings\\_srch.php](http://cactaxcredits.info/carrier-ratings/ac_ratings_srch.php)

Equipment performance calculator can be accessed at: <http://rpmob.wrightsoft.com/>

| Model Number  | Indoor Model     | Furnace Model | Capacity | EER  | SEER |
|---------------|------------------|---------------|----------|------|------|
| 24ACC618A**30 | CNPV*1917A**+TDR |               | 18,000   | 12.0 | 14.5 |
| 24ACC624A**30 | CNPV*3117A**+TDR |               | 23,600   | 12.0 | 14.5 |
| 24ACC630A**30 | CNPV*3117A**+TDR |               | 28,600   | 12.0 | 14.5 |
| 24ACC636A**30 | CNPV*3717A**+TDR |               | 34,400   | 12.0 | 14.5 |
| 24ACC642A**30 | CNPV*4324A**+TDR |               | 41,500   | 12.0 | 14.5 |
| 24ACC648A**30 | CNPV*6124A**+TDR |               | 46,500   | 12.5 | 14.5 |
| 24ACC660A**30 | CNPV*6124A**+TDR |               | 55,000   | 12.5 | 14.5 |

\* AHRI = Air Conditioning, Heating & Refrigeration Institute

EER — Energy Efficiency Ratio — 'A' conditions — 80°F (26.6°C) indoor db/67°F (19.4°C) indoor wb & 95°F (35°C) outdoor wb.

SEER — Seasonal Energy Efficiency Ratio

TDR — Time-Delay Relay. In most cases, only one method should be used to achieve TDR function. Using more than one method in a system may cause degradation in performance. Use either the accessory Time-Delay Relay, KAATD0101TDR, or a furnace equipped with TDR. Most Carrier furnaces are equipped with TDR.

**NOTES:**

1. Ratings are net values reflecting the effects of circulating fan motor heat. Supplemental electric heat is not included.
2. Tested outdoor/indoor combinations have been tested in accordance with DOE test procedures for central air conditioners. Ratings for other combinations are determined under DOE computer simulation procedures.
3. Determine actual CFM values obtainable for your system by referring to fan performance data in fan coil or furnace coil literature.
4. Do not apply with capillary tube coils as performance and reliability are significantly affected.

24ACC6

# DETAILED COOLING CAPACITIES#

| EVAPORATOR AIR  |             | CONDENSER ENTERING AIR TEMPERATURES °F (°C) |                   |       |                |                   |       |                |                   |       |                |                   |       |                |                   |       |                |                   |       |
|---|-------------|---|-------------------|-------|----------------|-------------------|-------|----------------|-------------------|-------|----------------|-------------------|-------|----------------|-------------------|-------|----------------|-------------------|-------|
| CFM   | EWB °F (°C) | 75 (23.9)                                   |                   |       | 85 (29.4)      |                   |       | 95 (35)        |                   |       | 105 (40.6)     |                   |       | 115 (46.1)     |                   |       | 125 (51.7)     |                   |       |
|   |             | Capacity MBtuh                              | Total System KW** | Sens† | Capacity MBtuh | Total System KW** | Sens† | Capacity MBtuh | Total System KW** | Sens† | Capacity MBtuh | Total System KW** | Sens† | Capacity MBtuh | Total System KW** | Sens† | Capacity MBtuh | Total System KW** | Sens† |
| <b>24ACC818A**30 Outdoor Section With CNPV*1917A** Indoor Section</b> |             |   |                   |       |                |                   |       |                |                   |       |                |                   |       |                |                   |       |                |                   |       |
|   | 72 (22.2)   | 21.52                                       | 1.18              | 20.55 | 1.32           | 19.48             | 1.48  | 18.35          | 1.65              | 17.15 | 1.84           | 15.88             | 1.84  | 15.88          | 8.46              | 2.06  |                |                   |       |
|   | 67 (19.4)   | 19.59                                       | 1.18              | 18.66 | 1.32           | 17.68             | 1.47  | 16.54          | 1.64              | 15.31 | 1.83           | 14.37             | 1.83  | 14.37          | 10.72             | 2.05  |                |                   |       |
| <b>525</b>  | 63 (17.2)†† | 18.14                                       | 1.18              | 17.28 | 1.32           | 16.37             | 1.47  | 15.40          | 1.63              | 14.37 | 1.82           | 13.27             | 1.82  | 13.27          | 10.22             | 2.04  |                |                   |       |
|   | 62 (16.7)   | 17.80                                       | 1.18              | 16.97 | 1.31           | 16.08             | 1.47  | 15.17          | 1.63              | 14.30 | 1.82           | 13.42             | 1.82  | 13.42          | 10.22             | 2.04  |                |                   |       |
|   | 57 (13.9)   | 17.19                                       | 1.18              | 16.54 | 1.31           | 15.84             | 1.46  | 15.09          | 1.63              | 14.27 | 1.82           | 13.40             | 1.82  | 13.40          | 13.40             | 2.04  |                |                   |       |
|   | 72 (22.2)   | 21.94                                       | 1.21              | 20.92 | 1.35           | 19.82             | 1.51  | 18.63          | 1.68              | 17.39 | 1.87           | 16.07             | 1.87  | 16.07          | 8.97              | 2.09  |                |                   |       |
|   | 67 (19.4)   | 19.99                                       | 1.20              | 19.03 | 1.35           | 18.00             | 1.50  | 16.92          | 1.67              | 15.78 | 1.86           | 14.57             | 1.86  | 14.57          | 11.54             | 2.08  |                |                   |       |
| <b>600</b>  | 63 (17.2)†† | 18.55                                       | 1.20              | 17.64 | 1.34           | 16.68             | 1.49  | 15.68          | 1.66              | 14.60 | 1.85           | 13.47             | 1.85  | 13.47          | 10.99             | 2.07  |                |                   |       |
|   | 62 (16.7)   | 18.25                                       | 1.20              | 17.39 | 1.34           | 16.55             | 1.49  | 15.74          | 1.66              | 14.87 | 1.85           | 13.93             | 1.85  | 13.93          | 13.93             | 2.07  |                |                   |       |
|   | 57 (13.9)   | 17.99                                       | 1.20              | 17.28 | 1.34           | 16.53             | 1.49  | 15.72          | 1.66              | 14.85 | 1.85           | 13.91             | 1.85  | 13.91          | 13.91             | 2.07  |                |                   |       |
|   | 72 (22.2)   | 22.24                                       | 1.23              | 21.19 | 1.38           | 20.06             | 1.54  | 18.83          | 1.71              | 17.55 | 1.90           | 16.20             | 1.90  | 16.20          | 9.47              | 2.12  |                |                   |       |
|   | 67 (19.4)   | 20.29                                       | 1.23              | 19.30 | 1.37           | 18.24             | 1.53  | 17.13          | 1.70              | 15.95 | 1.89           | 14.72             | 1.89  | 14.72          | 12.34             | 2.10  |                |                   |       |
| <b>675</b>  | 63 (17.2)†† | 18.85                                       | 1.23              | 17.91 | 1.37           | 16.92             | 1.52  | 15.88          | 1.69              | 14.78 | 1.88           | 13.63             | 1.88  | 13.63          | 11.73             | 2.10  |                |                   |       |
|   | 62 (16.7)   | 18.68                                       | 1.23              | 17.93 | 1.37           | 17.12             | 1.52  | 16.26          | 1.69              | 15.33 | 1.88           | 14.35             | 1.88  | 14.35          | 14.35             | 2.10  |                |                   |       |
|   | 57 (13.9)   | 18.66                                       | 1.23              | 17.90 | 1.37           | 17.09             | 1.52  | 16.24          | 1.69              | 15.31 | 1.88           | 14.33             | 1.88  | 14.33          | 14.33             | 2.10  |                |                   |       |

| EVAPORATOR AIR   |             | CONDENSER ENTERING AIR TEMPERATURES °F (°C) |                   |       |                |                   |       |                |                   |       |                |                   |       |                |                   |       |                |                   |       |
|--|-------------|---|-------------------|-------|----------------|-------------------|-------|----------------|-------------------|-------|----------------|-------------------|-------|----------------|-------------------|-------|----------------|-------------------|-------|
| CFM  | EWB °F (°C) | 75 (23.9)                                   |                   |       | 85 (29.4)      |                   |       | 95 (35)        |                   |       | 105 (40.6)     |                   |       | 115 (46.1)     |                   |       | 125 (51.7)     |                   |       |
|  |             | Capacity MBtuh                              | Total System KW** | Sens† | Capacity MBtuh | Total System KW** | Sens† | Capacity MBtuh | Total System KW** | Sens† | Capacity MBtuh | Total System KW** | Sens† | Capacity MBtuh | Total System KW** | Sens† | Capacity MBtuh | Total System KW** | Sens† |
| <b>24ACC82A**30 Outdoor Section With CNPV*3117A** Indoor Section</b> |             |   |                   |       |                |                   |       |                |                   |       |                |                   |       |                |                   |       |                |                   |       |
|  | 72 (22.2)   | 28.21                                       | 1.55              | 26.92 | 1.74           | 25.54             | 1.94  | 24.09          | 2.16              | 22.56 | 2.41           | 20.94             | 2.41  | 20.94          | 11.24             | 2.68  |                |                   |       |
|  | 67 (19.4)   | 25.63                                       | 1.55              | 24.44 | 1.73           | 23.19             | 1.93  | 21.87          | 2.15              | 20.47 | 2.39           | 19.08             | 2.39  | 19.08          | 14.29             | 2.67  |                |                   |       |
| <b>700</b>   | 63 (17.2)†† | 23.72                                       | 1.55              | 22.62 | 1.73           | 21.46             | 1.92  | 20.22          | 2.14              | 18.91 | 2.38           | 17.52             | 2.38  | 17.52          | 13.62             | 2.67  |                |                   |       |
|  | 62 (16.7)   | 23.92                                       | 1.55              | 22.25 | 1.73           | 21.14             | 1.92  | 20.00          | 2.14              | 18.95 | 2.38           | 17.82             | 2.38  | 17.82          | 17.82             | 2.67  |                |                   |       |
|  | 57 (13.9)   | 22.68                                       | 1.55              | 21.84 | 1.73           | 20.93             | 1.92  | 19.96          | 2.14              | 18.92 | 2.38           | 17.79             | 2.38  | 17.79          | 17.79             | 2.67  |                |                   |       |
|  | 72 (22.2)   | 28.72                                       | 1.58              | 27.38 | 1.77           | 25.95             | 1.98  | 24.44          | 2.20              | 22.85 | 2.44           | 21.17             | 2.44  | 21.17          | 11.93             | 2.72  |                |                   |       |
|  | 67 (19.4)   | 26.16                                       | 1.58              | 24.91 | 1.77           | 23.60             | 1.97  | 22.22          | 2.19              | 20.76 | 2.43           | 19.23             | 2.43  | 19.23          | 15.41             | 2.71  |                |                   |       |
| <b>800</b>   | 63 (17.2)†† | 24.23                                       | 1.58              | 23.08 | 1.77           | 21.86             | 1.96  | 20.58          | 2.18              | 19.21 | 2.42           | 17.78             | 2.42  | 17.78          | 14.66             | 2.70  |                |                   |       |
|  | 62 (16.7)   | 23.91                                       | 1.58              | 22.85 | 1.77           | 21.85             | 1.96  | 20.81          | 2.18              | 19.69 | 2.42           | 18.49             | 2.42  | 18.49          | 18.49             | 2.71  |                |                   |       |
|  | 57 (13.9)   | 23.70                                       | 1.58              | 22.79 | 1.76           | 21.82             | 1.96  | 20.78          | 2.18              | 19.66 | 2.42           | 18.46             | 2.42  | 18.46          | 18.46             | 2.71  |                |                   |       |
|  | 72 (22.2)   | 29.09                                       | 1.62              | 27.72 | 1.81           | 26.23             | 2.02  | 24.68          | 2.24              | 23.05 | 2.48           | 21.32             | 2.48  | 21.32          | 12.60             | 2.76  |                |                   |       |
|  | 67 (19.4)   | 26.54                                       | 1.62              | 25.25 | 1.81           | 23.90             | 2.01  | 22.48          | 2.22              | 20.98 | 2.47           | 19.42             | 2.47  | 19.42          | 16.48             | 2.75  |                |                   |       |
| <b>900</b>   | 63 (17.2)†† | 24.61                                       | 1.62              | 23.42 | 1.80           | 22.16             | 2.00  | 20.84          | 2.22              | 19.45 | 2.46           | 17.98             | 2.46  | 17.98          | 15.65             | 2.74  |                |                   |       |
|  | 62 (16.7)   | 24.60                                       | 1.62              | 23.62 | 1.80           | 22.58             | 2.00  | 21.48          | 2.22              | 20.29 | 2.47           | 19.02             | 2.47  | 19.02          | 19.02             | 2.75  |                |                   |       |
|  | 57 (13.9)   | 24.56                                       | 1.62              | 23.59 | 1.80           | 22.55             | 2.00  | 21.45          | 2.22              | 20.27 | 2.47           | 18.99             | 2.47  | 18.99          | 18.99             | 2.75  |                |                   |       |

See notes on pg. 16



DETAILED COOLING CAPACITIES# (CONT.)

| EVAPORATOR AIR  |               | CONDENSER ENTERING AIR TEMPERATURES ° F (° C) |       |                   |                |       |                   |                |       |                   |                |       |                   |                |       |                   |                |       |                   |       |  |
|---|---------------|---|-------|-------------------|----------------|-------|-------------------|----------------|-------|-------------------|----------------|-------|-------------------|----------------|-------|-------------------|----------------|-------|-------------------|-------|--|
| CFM   | EWB ° F (° C) | 75 (23.9)                                     |       |                   | 85 (29.4)      |       |                   | 95 (35)        |       |                   | 105 (40.6)     |       |                   | 115 (46.1)     |       |                   | 125 (51.7)     |       |                   |       |  |
|   |               | Capacity MBtuh                                |       | Total System KW** | Capacity MBtuh |       | Total System KW** | Capacity MBtuh |       | Total System KW** | Capacity MBtuh |       | Total System KW** | Capacity MBtuh |       | Total System KW** | Capacity MBtuh |       | Total System KW** |       |  |
|   |               | Total   | Sens† |                   | Total          | Sens† |                   | Total          | Sens† |                   | Total          | Sens† | Total             | Sens†          |       | Total             | Sens†          |       | Total             | Sens† |  |
| <b>24ACC630A**30 Outdoor Section With CNPV*3117A** Indoor Section</b> |               |   |       |                   |                |       |                   |                |       |                   |                |       |                   |                |       |                   |                |       |                   |       |  |
|   | 72 (22.2)     | 34.09   | 17.01 | 1.91              | 32.58          | 16.48 | 2.11              | 31.00          | 15.93 | 2.33              | 29.32          | 15.36 | 2.59              | 27.51          | 14.75 | 2.88              | 25.53          | 14.09 | 3.22              |       |  |
|   | 67 (19.4)     | 30.99   | 20.96 | 1.92              | 29.61          | 20.43 | 2.12              | 28.16          | 19.88 | 2.34              | 26.61          | 19.29 | 2.59              | 24.93          | 18.66 | 2.88              | 23.10          | 17.99 | 3.22              |       |  |
| <b>875</b>  | 63 (17.2)††   | 28.76   | 20.15 | 1.93              | 27.47          | 19.82 | 2.12              | 26.11          | 19.06 | 2.34              | 24.65          | 18.46 | 2.59              | 23.07          | 17.83 | 2.88              | 21.33          | 17.13 | 3.22              |       |  |
|   | 62 (16.7)     | 28.31   | 24.86 | 1.93              | 27.08          | 24.31 | 2.12              | 25.80          | 23.72 | 2.34              | 24.56          | 24.56 | 2.59              | 23.28          | 23.28 | 2.88              | 21.87          | 21.87 | 3.21              |       |  |
|   | 57 (13.9)     | 27.76   | 27.76 | 1.93              | 26.76          | 26.76 | 2.12              | 25.69          | 25.69 | 2.34              | 24.52          | 24.52 | 2.59              | 23.25          | 23.25 | 2.88              | 21.83          | 21.83 | 3.21              |       |  |
|   | 72 (22.2)     | 34.67   | 17.91 | 1.96              | 33.09          | 17.37 | 2.15              | 31.45          | 16.82 | 2.38              | 29.71          | 16.24 | 2.63              | 27.83          | 15.62 | 2.93              | 25.79          | 14.95 | 3.26              |       |  |
|   | 67 (19.4)     | 31.55   | 22.41 | 1.97              | 30.10          | 21.86 | 2.16              | 28.60          | 21.30 | 2.38              | 27.00          | 20.71 | 2.64              | 25.27          | 20.07 | 2.93              | 23.39          | 19.37 | 3.26              |       |  |
| <b>1000</b>   | 63 (17.2)††   | 29.30   | 21.50 | 1.97              | 27.95          | 20.95 | 2.17              | 26.55          | 20.38 | 2.39              | 25.04          | 19.78 | 2.64              | 23.40          | 19.12 | 2.93              | 21.63          | 18.42 | 3.26              |       |  |
|   | 62 (16.7)     | 29.03   | 28.77 | 1.97              | 27.89          | 27.89 | 2.16              | 26.74          | 26.74 | 2.39              | 25.50          | 25.50 | 2.64              | 24.14          | 24.14 | 2.93              | 22.64          | 22.64 | 3.26              |       |  |
|   | 57 (13.9)     | 28.93   | 28.93 | 1.97              | 27.84          | 27.84 | 2.16              | 26.70          | 26.70 | 2.39              | 25.46          | 25.46 | 2.64              | 24.11          | 24.11 | 2.93              | 22.61          | 22.61 | 3.26              |       |  |
|   | 72 (22.2)     | 35.09   | 18.77 | 2.00              | 33.45          | 18.22 | 2.20              | 31.76          | 17.66 | 2.42              | 29.97          | 17.07 | 2.68              | 28.04          | 16.45 | 2.97              | 25.96          | 15.78 | 3.31              |       |  |
|   | 67 (19.4)     | 31.96   | 23.80 | 2.01              | 30.47          | 23.24 | 2.21              | 28.93          | 22.67 | 2.43              | 27.29          | 22.06 | 2.68              | 25.52          | 21.41 | 2.97              | 23.62          | 20.69 | 3.31              |       |  |
| <b>1125</b>   | 63 (17.2)††   | 29.70   | 22.78 | 2.02              | 28.32          | 22.23 | 2.21              | 26.87          | 21.65 | 2.43              | 25.32          | 21.03 | 2.69              | 23.66          | 20.36 | 2.98              | 21.87          | 19.61 | 3.31              |       |  |
|   | 62 (16.7)     | 29.93   | 29.93 | 2.02              | 28.78          | 28.78 | 2.21              | 27.57          | 27.57 | 2.43              | 26.26          | 26.26 | 2.68              | 24.83          | 24.83 | 2.98              | 23.26          | 23.26 | 3.31              |       |  |
|   | 57 (13.9)     | 29.89   | 29.89 | 2.02              | 28.74          | 28.74 | 2.21              | 27.53          | 27.53 | 2.43              | 26.22          | 26.22 | 2.68              | 24.80          | 24.80 | 2.97              | 23.23          | 23.23 | 3.31              |       |  |

| EVAPORATOR AIR  |               | CONDENSER ENTERING AIR TEMPERATURES ° F (° C) |       |                   |                |       |                   |                |       |                   |                |       |                   |                |       |                   |                |       |                   |       |  |
|---|---------------|---|-------|-------------------|----------------|-------|-------------------|----------------|-------|-------------------|----------------|-------|-------------------|----------------|-------|-------------------|----------------|-------|-------------------|-------|--|
| CFM   | EWB ° F (° C) | 75 (23.9)                                     |       |                   | 85 (29.4)      |       |                   | 95 (35)        |       |                   | 105 (40.6)     |       |                   | 115 (46.1)     |       |                   | 125 (51.7)     |       |                   |       |  |
|   |               | Capacity MBtuh                                |       | Total System KW** | Capacity MBtuh |       | Total System KW** | Capacity MBtuh |       | Total System KW** | Capacity MBtuh |       | Total System KW** | Capacity MBtuh |       | Total System KW** | Capacity MBtuh |       | Total System KW** |       |  |
|   |               | Total   | Sens† |                   | Total          | Sens† |                   | Total          | Sens† |                   | Total          | Sens† | Total             | Sens†          |       | Total             | Sens†          |       | Total             | Sens† |  |
| <b>24ACC636A**30 Outdoor Section With CNPV*3717A** Indoor Section</b> |               |   |       |                   |                |       |                   |                |       |                   |                |       |                   |                |       |                   |                |       |                   |       |  |
|   | 72 (22.2)     | 41.06   | 20.32 | 2.39              | 39.22          | 19.68 | 2.65              | 37.27          | 19.01 | 2.95              | 35.20          | 18.31 | 3.28              | 33.01          | 17.57 | 3.66              | 30.65          | 16.79 | 4.11              |       |  |
|   | 67 (19.4)     | 37.33   | 25.02 | 2.37              | 35.65          | 24.38 | 2.63              | 33.87          | 23.70 | 2.93              | 31.96          | 22.99 | 3.26              | 29.95          | 22.24 | 3.65              | 27.79          | 21.45 | 4.09              |       |  |
| <b>1050</b>   | 63 (17.2)††   | 34.65   | 24.06 | 2.36              | 33.08          | 23.41 | 2.62              | 31.40          | 22.73 | 2.92              | 29.82          | 22.01 | 3.25              | 27.73          | 21.26 | 3.64              | 25.71          | 20.45 | 4.09              |       |  |
|   | 62 (16.7)     | 34.09   | 29.67 | 2.36              | 32.58          | 29.00 | 2.62              | 31.00          | 28.29 | 2.91              | 29.47          | 27.95 | 3.25              | 27.95          | 27.95 | 3.64              | 26.29          | 26.29 | 4.09              |       |  |
|   | 57 (13.9)     | 33.38   | 33.38 | 2.35              | 32.16          | 32.16 | 2.62              | 30.85          | 30.85 | 2.91              | 29.43          | 29.43 | 3.25              | 27.91          | 27.91 | 3.64              | 26.25          | 26.25 | 4.09              |       |  |
|   | 72 (22.2)     | 41.77   | 21.40 | 2.45              | 39.84          | 20.74 | 2.72              | 37.82          | 20.07 | 3.01              | 35.67          | 19.35 | 3.35              | 33.39          | 18.60 | 3.73              | 30.96          | 17.82 | 4.17              |       |  |
|   | 67 (19.4)     | 38.02   | 26.75 | 2.43              | 36.25          | 26.09 | 2.70              | 34.40          | 25.40 | 2.99              | 32.44          | 24.67 | 3.32              | 30.35          | 23.91 | 3.71              | 28.13          | 23.10 | 4.15              |       |  |
| <b>1200</b>   | 63 (17.2)††   | 35.31   | 25.67 | 2.42              | 33.66          | 25.01 | 2.69              | 31.93          | 24.31 | 2.98              | 30.09          | 23.58 | 3.31              | 28.13          | 22.80 | 3.70              | 26.05          | 21.98 | 4.15              |       |  |
|   | 62 (16.7)     | 34.94   | 31.96 | 2.42              | 33.53          | 33.53 | 2.69              | 32.12          | 32.12 | 2.98              | 30.60          | 30.60 | 3.32              | 28.97          | 28.97 | 3.70              | 27.21          | 27.21 | 4.15              |       |  |
|   | 57 (13.9)     | 34.80   | 34.80 | 2.42              | 33.47          | 33.47 | 2.68              | 32.07          | 32.07 | 2.98              | 30.55          | 30.55 | 3.32              | 28.93          | 28.93 | 3.70              | 27.17          | 27.17 | 4.15              |       |  |
|   | 72 (22.2)     | 42.28   | 22.42 | 2.52              | 40.29          | 21.76 | 2.78              | 38.19          | 21.07 | 3.08              | 35.98          | 20.35 | 3.41              | 33.65          | 19.59 | 3.79              | 31.16          | 18.80 | 4.23              |       |  |
|   | 67 (19.4)     | 38.51   | 28.41 | 2.50              | 36.70          | 27.73 | 2.76              | 34.80          | 27.03 | 3.05              | 32.78          | 26.29 | 3.39              | 30.65          | 25.51 | 3.77              | 28.39          | 24.66 | 4.22              |       |  |
| <b>1350</b>   | 63 (17.2)††   | 35.80   | 27.21 | 2.48              | 34.11          | 26.53 | 2.75              | 32.32          | 25.82 | 3.04              | 30.43          | 25.07 | 3.38              | 28.44          | 24.28 | 3.76              | 26.32          | 23.41 | 4.21              |       |  |
|   | 62 (16.7)     | 36.01   | 36.01 | 2.48              | 34.61          | 34.61 | 2.75              | 33.12          | 33.12 | 3.05              | 31.51          | 31.51 | 3.38              | 29.80          | 29.80 | 3.77              | 27.94          | 27.94 | 4.21              |       |  |
|   | 57 (13.9)     | 35.96   | 35.96 | 2.48              | 34.56          | 34.56 | 2.75              | 33.08          | 33.08 | 3.04              | 31.47          | 31.47 | 3.38              | 29.76          | 29.76 | 3.77              | 27.91          | 27.91 | 4.21              |       |  |

See notes on pg. 16

# DETAILED COOLING CAPACITIES# (CONT.)

| EVAPORATOR AIR  |               | CONDENSER ENTERING AIR TEMPERATURES ° F (° C) |       |                   |                |       |                   |                |       |                   |                |       |                   |                |       |                   |                |       |                   |
|---|---------------|---|-------|-------------------|----------------|-------|-------------------|----------------|-------|-------------------|----------------|-------|-------------------|----------------|-------|-------------------|----------------|-------|-------------------|
| CFM   | EWB ° F (° C) | 75 (23.9)                                     |       |                   | 85 (29.4)      |       |                   | 95 (35)        |       |                   | 105 (40.6)     |       |                   | 115 (46.1)     |       |                   | 125 (51.7)     |       |                   |
|   |               | Capacity MBtuh                                |       | Total System KW** | Capacity MBtuh |       | Total System KW** | Capacity MBtuh |       | Total System KW** | Capacity MBtuh |       | Total System KW** | Capacity MBtuh |       | Total System KW** | Capacity MBtuh |       | Total System KW** |
|   |               | Total   | Sens† |                   | Total          | Sens† |                   | Total          | Sens† |                   | Total          | Sens† |                   | Total          | Sens† |                   | Total          | Sens† |                   |
| <b>24ACC642A**30 Outdoor Section With CNPV*4S24A** Indoor Section</b> |               |   |       |                   |                |       |                   |                |       |                   |                |       |                   |                |       |                   |                |       |                   |
|   | 72 (22.2)     | 49.58   | 24.85 | 2.77              | 47.31          | 24.05 | 3.07              | 44.88          | 23.20 | 3.42              | 42.30          | 22.31 | 3.80              | 39.58          | 21.39 | 4.23              | 36.71          | 20.43 | 4.70              |
|   | 67 (19.4)     | 45.17   | 30.63 | 2.75              | 43.10          | 29.82 | 3.05              | 40.90          | 28.98 | 3.38              | 38.55          | 28.08 | 3.74              | 36.07          | 27.15 | 4.19              | 33.47          | 26.18 | 4.66              |
| <b>1225</b>   | 63 (17.2)††   | 41.97   | 29.47 | 2.74              | 40.06          | 28.67 | 3.03              | 38.02          | 27.83 | 3.36              | 35.83          | 26.93 | 3.74              | 33.53          | 26.00 | 4.17              | 31.10          | 25.02 | 4.64              |
|   | 62 (16.7)     | 41.32   | 36.33 | 2.74              | 39.49          | 35.51 | 3.03              | 37.56          | 34.61 | 3.36              | 35.65          | 35.65 | 3.74              | 33.78          | 33.78 | 4.17              | 31.76          | 31.76 | 4.64              |
|   | 57 (13.9)     | 40.45   | 40.45 | 2.73              | 38.96          | 38.96 | 3.03              | 37.34          | 37.34 | 3.36              | 35.60          | 35.60 | 3.74              | 33.73          | 33.73 | 4.17              | 31.72          | 31.72 | 4.64              |
|   | 72 (22.2)     | 50.40   | 26.14 | 2.85              | 48.02          | 25.31 | 3.15              | 45.48          | 24.45 | 3.49              | 42.82          | 23.55 | 3.87              | 39.99          | 22.61 | 4.30              | 37.02          | 21.63 | 4.77              |
|   | 67 (19.4)     | 45.95   | 32.69 | 2.82              | 43.80          | 31.87 | 3.12              | 41.50          | 31.00 | 3.46              | 39.07          | 30.09 | 3.84              | 36.51          | 29.14 | 4.26              | 33.83          | 28.13 | 4.74              |
| <b>1400</b>   | 63 (17.2)††   | 42.74   | 31.39 | 2.81              | 40.75          | 30.58 | 3.10              | 38.61          | 29.71 | 3.44              | 36.36          | 28.80 | 3.82              | 33.97          | 27.84 | 4.24              | 31.47          | 26.83 | 4.71              |
|   | 62 (16.7)     | 42.31   | 39.06 | 2.81              | 40.55          | 40.55 | 3.10              | 38.82          | 38.82 | 3.44              | 36.94          | 36.94 | 3.82              | 34.93          | 34.93 | 4.25              | 32.78          | 32.78 | 4.72              |
|   | 57 (13.9)     | 42.10   | 42.10 | 2.81              | 40.50          | 40.50 | 3.10              | 38.76          | 38.76 | 3.44              | 36.89          | 36.89 | 3.82              | 34.89          | 34.89 | 4.25              | 32.74          | 32.74 | 4.72              |
|   | 72 (22.2)     | 50.98   | 27.35 | 2.92              | 48.52          | 26.51 | 3.22              | 45.91          | 25.64 | 3.56              | 43.16          | 24.73 | 3.95              | 40.25          | 23.78 | 4.37              | 37.22          | 22.79 | 4.85              |
|   | 67 (19.4)     | 46.53   | 34.66 | 2.90              | 44.31          | 33.82 | 3.19              | 41.95          | 32.94 | 3.53              | 39.45          | 32.01 | 3.91              | 36.83          | 31.03 | 4.34              | 34.11          | 29.99 | 4.81              |
| <b>1575</b>   | 63 (17.2)††   | 43.31   | 39.22 | 2.88              | 41.25          | 32.99 | 3.17              | 39.06          | 31.51 | 3.51              | 36.74          | 30.57 | 3.89              | 34.30          | 29.58 | 4.31              | 31.77          | 28.52 | 4.78              |
|   | 62 (16.7)     | 43.52   | 43.52 | 2.88              | 41.82          | 41.82 | 3.18              | 39.96          | 39.96 | 3.52              | 37.98          | 37.98 | 3.90              | 35.86          | 35.86 | 4.33              | 33.58          | 33.58 | 4.80              |
|   | 57 (13.9)     | 43.46   | 43.46 | 2.88              | 41.76          | 41.76 | 3.18              | 39.91          | 39.91 | 3.52              | 37.93          | 37.93 | 3.90              | 35.81          | 35.81 | 4.33              | 33.55          | 33.55 | 4.80              |

| EVAPORATOR AIR  |               | CONDENSER ENTERING AIR TEMPERATURES ° F (° C) |       |                   |                |       |                   |                |       |                   |                |       |                   |                |       |                   |                |       |                   |
|---|---------------|---|-------|-------------------|----------------|-------|-------------------|----------------|-------|-------------------|----------------|-------|-------------------|----------------|-------|-------------------|----------------|-------|-------------------|
| CFM   | EWB ° F (° C) | 75 (23.9)                                     |       |                   | 85 (29.4)      |       |                   | 95 (35)        |       |                   | 105 (40.6)     |       |                   | 115 (46.1)     |       |                   | 125 (51.7)     |       |                   |
|   |               | Capacity MBtuh                                |       | Total System KW** | Capacity MBtuh |       | Total System KW** | Capacity MBtuh |       | Total System KW** | Capacity MBtuh |       | Total System KW** | Capacity MBtuh |       | Total System KW** | Capacity MBtuh |       | Total System KW** |
|   |               | Total   | Sens† |                   | Total          | Sens† |                   | Total          | Sens† |                   | Total          | Sens† |                   | Total          | Sens† |                   | Total          | Sens† |                   |
| <b>24ACC649A**30 Outdoor Section With CNPV*6124A** Indoor Section</b> |               |   |       |                   |                |       |                   |                |       |                   |                |       |                   |                |       |                   |                |       |                   |
|   | 72 (22.2)     | 56.17   | 26.26 | 2.67              | 53.35          | 27.27 | 3.12              | 50.45          | 26.26 | 3.57              | 47.46          | 25.24 | 4.03              | 44.32          | 24.18 | 4.51              | 41.00          | 23.07 | 5.02              |
|   | 67 (19.4)     | 50.88   | 34.78 | 2.84              | 48.38          | 33.81 | 3.25              | 45.79          | 32.82 | 3.66              | 43.11          | 31.80 | 4.09              | 40.30          | 30.75 | 4.55              | 37.32          | 29.64 | 5.04              |
| <b>1400</b>   | 63 (17.2)††   | 47.10   | 39.38 | 2.95              | 44.81          | 32.43 | 3.33              | 42.44          | 31.45 | 3.72              | 39.99          | 30.45 | 4.13              | 37.39          | 29.40 | 4.57              | 34.65          | 28.30 | 5.05              |
|   | 62 (16.7)     | 46.38   | 41.24 | 2.96              | 44.21          | 40.25 | 3.34              | 42.02          | 41.83 | 3.72              | 40.01          | 40.01 | 4.12              | 37.89          | 37.89 | 4.56              | 35.59          | 35.59 | 5.05              |
|   | 57 (13.9)     | 45.57   | 45.57 | 2.98              | 43.79          | 43.79 | 3.35              | 41.92          | 41.92 | 3.72              | 39.95          | 39.95 | 4.13              | 37.83          | 37.83 | 4.56              | 35.54          | 35.54 | 5.05              |
|   | 72 (22.2)     | 57.16   | 29.78 | 2.70              | 54.20          | 28.77 | 3.16              | 51.18          | 27.74 | 3.62              | 48.04          | 26.69 | 4.09              | 44.79          | 25.61 | 4.58              | 41.35          | 24.49 | 5.10              |
| <b>1600</b>   | 67 (19.4)     | 51.83   | 37.21 | 2.88              | 49.20          | 36.22 | 3.30              | 46.50          | 35.20 | 3.72              | 43.71          | 34.16 | 4.16              | 40.79          | 33.07 | 4.62              | 37.73          | 31.93 | 5.12              |
|   | 63 (17.2)††   | 48.01   | 35.64 | 2.99              | 45.60          | 34.66 | 3.39              | 43.14          | 33.66 | 3.78              | 40.57          | 32.63 | 4.20              | 37.89          | 31.55 | 4.64              | 35.07          | 30.41 | 5.13              |
|   | 62 (16.7)     | 47.62   | 47.39 | 3.00              | 45.65          | 45.65 | 3.38              | 43.62          | 43.62 | 3.77              | 41.49          | 41.49 | 4.18              | 39.20          | 39.20 | 4.63              | 36.74          | 36.74 | 5.12              |
|   | 57 (13.9)     | 47.51   | 47.51 | 3.00              | 45.58          | 45.58 | 3.38              | 43.56          | 43.56 | 3.77              | 41.43          | 41.43 | 4.18              | 39.15          | 39.15 | 4.63              | 36.69          | 36.69 | 5.12              |
|   | 72 (22.2)     | 57.88   | 31.22 | 2.74              | 54.82          | 30.20 | 3.21              | 51.68          | 29.15 | 3.68              | 48.44          | 28.08 | 4.15              | 45.10          | 26.99 | 4.64              | 41.56          | 25.85 | 5.17              |
| <b>1800</b>   | 67 (19.4)     | 52.53   | 39.54 | 2.92              | 49.82          | 38.53 | 3.35              | 47.03          | 37.48 | 3.78              | 44.15          | 36.41 | 4.22              | 41.17          | 35.29 | 4.69              | 38.05          | 34.08 | 5.19              |
|   | 63 (17.2)††   | 48.69   | 37.80 | 3.04              | 46.20          | 36.80 | 3.44              | 43.65          | 35.77 | 3.85              | 41.02          | 34.70 | 4.27              | 38.28          | 33.58 | 4.71              | 35.42          | 32.36 | 5.20              |
|   | 62 (16.7)     | 49.20   | 49.20 | 3.02              | 47.12          | 47.12 | 3.42              | 44.96          | 44.96 | 3.82              | 42.68          | 42.68 | 4.24              | 40.26          | 40.26 | 4.70              | 37.65          | 37.65 | 5.19              |
|   | 57 (13.9)     | 49.13   | 49.13 | 3.03              | 47.06          | 47.06 | 3.42              | 44.90          | 44.90 | 3.82              | 42.63          | 42.63 | 4.24              | 40.21          | 40.21 | 4.70              | 37.61          | 37.61 | 5.19              |

See notes on pg. 16



24ACC6

**DETAILED COOLING CAPACITIES# (CONT.)**

| EVAPORATOR AIR |               | CONDENSER ENTERING AIR TEMPERATURES ° F (° C) |       |                   |                |       |                   |                |       |                   |                |       |                   |                |       |                   |                |      |                   |       |      |
|----------------|---------------|---|-------|-------------------|----------------|-------|-------------------|----------------|-------|-------------------|----------------|-------|-------------------|----------------|-------|-------------------|----------------|------|-------------------|-------|------|
| CFM            | EWB ° F (° C) | 75 (23.9)                                     |       |                   | 85 (29.4)      |       |                   | 95 (35)        |       |                   | 105 (40.6)     |       |                   | 115 (46.1)     |       |                   | 125 (51.7)     |      |                   |       |      |
|                |               | Capacity MBtuh                                |       | Total System KW** | Capacity MBtuh |       | Total System KW** | Capacity MBtuh |       | Total System KW** | Capacity MBtuh |       | Total System KW** | Capacity MBtuh |       | Total System KW** | Capacity MBtuh |      | Total System KW** |       |      |
|                |               | Total   | Sens† |                   | Total          | Sens† |                   | Total          | Sens† |                   | Total          | Sens† | Total             | Sens†          |       | Total             | Sens†          |      | Total             | Sens† |      |
|                | 72 (22.2)     | 66.03   | 33.71 | 3.54              | 62.86          | 32.49 | 3.92              | 59.49          | 31.24 | 4.33              | 55.92          | 29.95 | 4.78              | 52.09          | 28.60 | 47.94             | 27.18          | 5.29 | 47.94             | 27.18 | 5.86 |
|                | 67 (19.4)     | 60.16   | 42.01 | 3.52              | 57.34          | 40.81 | 3.90              | 54.33          | 39.55 | 4.30              | 51.12          | 38.25 | 4.75              | 47.67          | 36.88 | 43.93             | 35.42          | 5.26 | 43.93             | 35.42 | 5.83 |
| <b>1750</b>    | 63 (17.2)††   | 55.92   | 40.36 | 3.52              | 53.34          | 39.17 | 3.88              | 50.59          | 37.93 | 4.28              | 47.64          | 36.64 | 4.73              | 44.45          | 35.28 | 41.00             | 33.82          | 5.23 | 41.00             | 33.82 | 5.81 |
|                | 62 (16.7)     | 55.30   | 50.14 | 3.52              | 52.96          | 52.74 | 3.88              | 50.72          | 50.72 | 4.28              | 48.29          | 48.29 | 4.73              | 45.62          | 45.62 | 42.65             | 42.65          | 5.24 | 42.65             | 42.65 | 5.83 |
|                | 57 (13.9)     | 54.87   | 54.87 | 3.51              | 52.85          | 52.85 | 3.88              | 50.64          | 50.64 | 4.28              | 48.23          | 48.23 | 4.73              | 45.56          | 45.56 | 42.60             | 42.60          | 5.24 | 42.60             | 42.60 | 5.83 |
|                | 72 (22.2)     | 66.94   | 35.49 | 3.63              | 63.63          | 34.26 | 4.01              | 60.13          | 32.98 | 4.43              | 56.41          | 31.66 | 4.88              | 52.46          | 30.30 | 48.19             | 28.86          | 5.39 | 48.19             | 28.86 | 5.96 |
|                | 67 (19.4)     | 61.07   | 44.91 | 3.62              | 58.11          | 43.67 | 3.99              | 55.00          | 42.39 | 4.40              | 51.67          | 41.04 | 4.85              | 48.13          | 39.62 | 44.32             | 38.08          | 5.36 | 44.32             | 38.08 | 5.93 |
| <b>2000</b>    | 63 (17.2)††   | 56.81   | 43.05 | 3.61              | 54.12          | 41.83 | 3.98              | 51.26          | 40.56 | 4.38              | 48.20          | 39.22 | 4.83              | 44.93          | 37.80 | 41.42             | 36.25          | 5.34 | 41.42             | 36.25 | 5.91 |
|                | 62 (16.7)     | 57.02   | 57.02 | 3.61              | 54.82          | 54.82 | 3.98              | 52.43          | 52.43 | 4.39              | 49.82          | 49.82 | 4.84              | 46.96          | 46.96 | 43.79             | 43.79          | 5.35 | 43.79             | 43.79 | 5.93 |
|                | 57 (13.9)     | 56.95   | 56.95 | 3.61              | 54.75          | 54.75 | 3.98              | 52.36          | 52.36 | 4.39              | 49.76          | 49.76 | 4.84              | 46.90          | 46.90 | 43.74             | 43.74          | 5.35 | 43.74             | 43.74 | 5.93 |
|                | 72 (22.2)     | 67.58   | 37.19 | 3.73              | 64.15          | 35.93 | 4.11              | 60.53          | 34.64 | 4.53              | 56.72          | 33.31 | 4.98              | 52.67          | 31.92 | 48.30             | 30.47          | 5.49 | 48.30             | 30.47 | 6.06 |
|                | 67 (19.4)     | 61.73   | 47.68 | 3.71              | 58.69          | 46.41 | 4.09              | 55.48          | 45.08 | 4.50              | 52.08          | 43.68 | 4.95              | 48.49          | 42.18 | 44.72             | 44.52          | 5.46 | 44.72             | 44.52 | 6.03 |
| <b>2250</b>    | 63 (17.2)††   | 57.47   | 45.62 | 3.71              | 54.69          | 44.36 | 4.08              | 51.76          | 43.04 | 4.48              | 48.84          | 41.65 | 4.93              | 45.33          | 40.11 | 41.94             | 41.94          | 5.43 | 41.94             | 41.94 | 6.01 |
|                | 62 (16.7)     | 58.71   | 58.71 | 3.71              | 56.35          | 56.35 | 4.08              | 53.80          | 53.80 | 4.49              | 51.03          | 51.03 | 4.94              | 48.01          | 48.01 | 44.66             | 44.66          | 5.45 | 44.66             | 44.66 | 6.03 |
|                | 57 (13.9)     | 58.64   | 58.64 | 3.71              | 56.29          | 56.29 | 4.08              | 53.74          | 53.74 | 4.49              | 50.98          | 50.98 | 4.94              | 47.96          | 47.96 | 44.62             | 44.62          | 5.45 | 44.62             | 44.62 | 6.03 |

† Total and sensible capacities are net capacities. Blower motor heat has been subtracted.

‡ Sensible capacities shown are based on 80°F (27°C) entering air at the indoor coil. For sensible capacities at other than 80°F (27°C), deduct 835 Btuh (245 kW) per 1000 CFM (480 L/S) of indoor coil air for each degree below 80°F (27°C), or add 835 Btuh (245 kW) per 1000 CFM (480 L/S) of indoor coil air per degree above 80°F (27°C).

# Detailed cooling capacities are based on indoor and outdoor unit at the same elevation per AHRI standard 210/240–2008. If additional tubing length and/or indoor unit is located above outdoor unit, a slight variation in capacity may occur.

\*\* System kw is total of indoor and outdoor unit kilowatts.

†† At TVA rating indoor condition (75°F edb/63°F ewb). All other indoor air temperatures are at 80°F edb.

NOTE: When the required data falls between the published data, interpolation may be performed. Extrapolation is not an acceptable practice.

EWB — Entering Wet Bulb

# CONDENSER ONLY RATINGS

| SST<br>° F (° C)     |     | CONDENSER ENTERING AIR TEMPERATURES ° F (° C) |            |            |            |           |             |             |             |
|----------------------|-----|---|------------|------------|------------|-----------|-------------|-------------|-------------|
|                      |     | 55 (12.78)                                    | 65 (18.33) | 75 (23.89) | 85 (29.44) | 95 (35.0) | 105 (40.56) | 115 (46.11) | 125 (51.67) |
| <b>24ACC618A**30</b> |     |   |            |            |            |           |             |             |             |
| 30<br>(-1.11)        | TCG | 15.70   | 14.90      | 14.10      | 13.20      | 12.30     | 11.30       | 10.20       | 9.20        |
|                      | SDT | 66.60   | 76.20      | 85.80      | 95.30      | 104.80    | 114.30      | 123.70      | 133.10      |
|                      | KW  | 0.75  | 0.87       | 0.99       | 1.12       | 1.26      | 1.41        | 1.60        | 1.81        |
| 35<br>(1.67)         | TCG | 17.50   | 16.60      | 15.70      | 14.70      | 13.70     | 12.60       | 11.50       | 10.30       |
|                      | SDT | 67.80   | 77.30      | 86.80      | 96.30      | 105.70    | 115.10      | 124.40      | 133.80      |
|                      | KW  | 0.75  | 0.87       | 0.99       | 1.12       | 1.26      | 1.42        | 1.60        | 1.81        |
| 40<br>(4.44)         | TCG | 19.40   | 18.40      | 17.40      | 16.30      | 15.20     | 14.00       | 12.80       | 11.50       |
|                      | SDT | 69.00   | 78.50      | 87.90      | 97.30      | 106.60    | 115.90      | 125.20      | 134.50      |
|                      | KW  | 0.74  | 0.87       | 0.99       | 1.12       | 1.26      | 1.42        | 1.60        | 1.81        |
| 45<br>(7.22)         | TCG | 21.50   | 20.30      | 19.20      | 18.00      | 16.70     | 15.50       | 14.10       | 12.80       |
|                      | SDT | 70.40   | 79.70      | 89.00      | 98.30      | 107.60    | 116.90      | 126.10      | 135.30      |
|                      | KW  | 0.74  | 0.86       | 0.99       | 1.13       | 1.27      | 1.43        | 1.61        | 1.82        |
| 50<br>(10.0)         | TCG | 23.60   | 22.40      | 21.10      | 19.70      | 18.40     | 17.00       | 15.60       | 14.10       |
|                      | SDT | 71.60   | 80.90      | 90.10      | 99.40      | 108.60    | 117.80      | 127.00      | 136.20      |
|                      | KW  | 0.73  | 0.86       | 1.00       | 1.13       | 1.28      | 1.44        | 1.62        | 1.82        |
| 55<br>(12.78)        | TCG | 25.90   | 24.50      | 23.10      | 21.60      | 20.10     | 18.60       | 17.10       | 15.50       |
|                      | SDT | 73.00   | 82.10      | 91.30      | 100.50     | 109.70    | 118.80      | 128.00      | 137.10      |
|                      | KW  | 0.73  | 0.86       | 1.00       | 1.14       | 1.29      | 1.45        | 1.63        | 1.84        |
| <b>24ACC624A**30</b> |     |   |            |            |            |           |             |             |             |
| 30<br>(-1.11)        | TCG | 21.10   | 20.10      | 19.00      | 17.90      | 16.70     | 15.40       | 14.10       | 12.70       |
|                      | SDT | 66.10   | 75.80      | 85.30      | 94.90      | 104.40    | 114.00      | 123.40      | 132.80      |
|                      | KW  | 1.00  | 1.15       | 1.31       | 1.47       | 1.65      | 1.86        | 2.09        | 2.37        |
| 35<br>(1.67)         | TCG | 23.40   | 22.20      | 21.00      | 19.80      | 18.50     | 17.10       | 15.60       | 14.10       |
|                      | SDT | 67.20   | 76.80      | 86.30      | 95.80      | 105.30    | 114.70      | 124.10      | 133.50      |
|                      | KW  | 0.99  | 1.15       | 1.31       | 1.47       | 1.66      | 1.86        | 2.10        | 2.37        |
| 40<br>(4.44)         | TCG | 25.80   | 24.60      | 23.20      | 21.80      | 20.40     | 18.90       | 17.30       | 15.70       |
|                      | SDT | 68.40   | 77.90      | 87.30      | 96.70      | 106.10    | 115.50      | 124.80      | 134.10      |
|                      | KW  | 0.98  | 1.14       | 1.31       | 1.48       | 1.66      | 1.87        | 2.10        | 2.37        |
| 45<br>(7.22)         | TCG | 28.50   | 27.00      | 25.50      | 24.00      | 22.40     | 20.80       | 19.10       | 17.40       |
|                      | SDT | 69.60   | 79.00      | 88.30      | 97.70      | 107.00    | 116.30      | 125.60      | 134.90      |
|                      | KW  | 0.97  | 1.14       | 1.31       | 1.48       | 1.67      | 1.87        | 2.11        | 2.37        |
| 50<br>(10.0)         | TCG | 31.20   | 29.60      | 28.00      | 26.30      | 24.60     | 22.80       | 21.00       | 19.10       |
|                      | SDT | 70.80   | 80.10      | 89.40      | 98.70      | 107.90    | 117.20      | 126.40      | 135.60      |
|                      | KW  | 0.96  | 1.14       | 1.31       | 1.49       | 1.67      | 1.88        | 2.12        | 2.38        |
| 55<br>(12.78)        | TCG | 34.20   | 32.40      | 30.60      | 28.80      | 26.90     | 25.00       | 23.00       | 20.90       |
|                      | SDT | 72.10   | 81.30      | 90.50      | 99.70      | 108.90    | 118.10      | 127.30      | 136.40      |
|                      | KW  | 0.95  | 1.13       | 1.31       | 1.49       | 1.69      | 1.90        | 2.13        | 2.39        |
| <b>24ACC630A**30</b> |     |   |            |            |            |           |             |             |             |
| 30<br>(-1.11)        | TCG | 24.90   | 23.50      | 22.20      | 20.80      | 19.40     | 17.90       | 16.20       | 14.40       |
|                      | SDT | 68.10   | 77.50      | 87.00      | 96.40      | 105.80    | 115.10      | 124.40      | 133.60      |
|                      | KW  | 1.27  | 1.43       | 1.60       | 1.78       | 1.99      | 2.23        | 2.50        | 2.81        |
| 35<br>(1.67)         | TCG | 27.50   | 26.00      | 24.50      | 23.10      | 21.50     | 19.90       | 18.10       | 16.20       |
|                      | SDT | 69.40   | 78.70      | 88.10      | 97.40      | 106.70    | 116.00      | 125.30      | 134.40      |
|                      | KW  | 1.28  | 1.44       | 1.61       | 1.79       | 2.00      | 2.24        | 2.51        | 2.82        |
| 40<br>(4.44)         | TCG | 30.30   | 28.60      | 27.10      | 25.50      | 23.80     | 22.00       | 20.10       | 18.10       |
|                      | SDT | 70.70   | 79.90      | 89.20      | 98.50      | 107.70    | 117.00      | 126.20      | 135.30      |
|                      | KW  | 1.29  | 1.44       | 1.61       | 1.80       | 2.01      | 2.25        | 2.52        | 2.83        |
| 45<br>(7.22)         | TCG | 33.30   | 31.50      | 29.80      | 28.00      | 26.20     | 24.30       | 22.30       | 20.10       |
|                      | SDT | 72.00   | 81.20      | 90.40      | 99.60      | 108.80    | 118.00      | 127.20      | 136.30      |
|                      | KW  | 1.29  | 1.44       | 1.61       | 1.80       | 2.01      | 2.26        | 2.53        | 2.85        |
| 50<br>(10.0)         | TCG | 36.50   | 34.50      | 32.60      | 30.70      | 28.80     | 26.70       | 24.50       | 22.20       |
|                      | SDT | 73.50   | 82.50      | 91.70      | 100.80     | 110.00    | 119.20      | 128.20      | 137.20      |
|                      | KW  | 1.29  | 1.44       | 1.61       | 1.80       | 2.02      | 2.26        | 2.54        | 2.86        |
| 55<br>(12.78)        | TCG | 39.90   | 37.80      | 35.70      | 33.60      | 31.50     | 29.30       | 26.90       | 24.40       |
|                      | SDT | 75.00   | 84.00      | 93.00      | 102.10     | 111.20    | 120.30      | 129.30      | 138.20      |
|                      | KW  | 1.29  | 1.44       | 1.61       | 1.80       | 2.02      | 2.27        | 2.54        | 2.86        |
| <b>24ACC636A**30</b> |     |   |            |            |            |           |             |             |             |
| 30<br>(-1.11)        | TCG | 30.40   | 28.80      | 27.20      | 25.60      | 23.90     | 22.10       | 20.20       | 18.20       |
|                      | SDT | 68.90   | 78.20      | 87.50      | 96.80      | 106.20    | 115.50      | 124.90      | 134.20      |
|                      | KW  | 1.49  | 1.72       | 1.95       | 2.21       | 2.49      | 2.81        | 3.20        | 3.64        |
| 35<br>(1.67)         | TCG | 33.50   | 31.80      | 30.10      | 28.30      | 26.50     | 24.50       | 22.50       | 20.30       |
|                      | SDT | 70.10   | 79.30      | 88.60      | 97.90      | 107.20    | 116.50      | 125.80      | 135.00      |
|                      | KW  | 1.49  | 1.73       | 1.96       | 2.22       | 2.50      | 2.82        | 3.20        | 3.65        |
| 40<br>(4.44)         | TCG | 37.00   | 35.10      | 33.20      | 31.20      | 29.20     | 27.10       | 24.90       | 22.60       |
|                      | SDT | 71.40   | 80.60      | 89.80      | 99.00      | 108.20    | 117.40      | 126.70      | 135.90      |
|                      | KW  | 1.50  | 1.73       | 1.97       | 2.23       | 2.51      | 2.84        | 3.21        | 3.65        |
| 45<br>(7.22)         | TCG | 40.60   | 38.60      | 36.50      | 34.30      | 32.10     | 29.80       | 27.40       | 24.90       |
|                      | SDT | 72.80   | 81.90      | 91.00      | 100.20     | 109.40    | 118.50      | 127.70      | 136.80      |
|                      | KW  | 1.51  | 1.75       | 1.99       | 2.24       | 2.53      | 2.85        | 3.23        | 3.66        |
| 50<br>(10.0)         | TCG | 44.50   | 42.30      | 40.00      | 37.70      | 35.20     | 32.70       | 30.10       | 27.40       |
|                      | SDT | 74.40   | 83.30      | 92.40      | 101.50     | 110.50    | 119.60      | 128.70      | 137.70      |
|                      | KW  | 1.53  | 1.76       | 2.01       | 2.26       | 2.55      | 2.87        | 3.24        | 3.67        |
| 55<br>(12.78)        | TCG | 48.70   | 46.20      | 43.70      | 41.20      | 38.50     | 35.80       | 33.00       | 30.00       |
|                      | SDT | 76.00   | 84.90      | 93.80      | 102.80     | 111.80    | 120.80      | 129.80      | 138.70      |
|                      | KW  | 1.55  | 1.79       | 2.03       | 2.29       | 2.57      | 2.90        | 3.26        | 3.69        |

24ACC6

See notes on page 18

# CONDENSER ONLY RATINGS CONTINUED

| SST<br>°F (°C)       |     | CONDENSER ENTERING AIR TEMPERATURES °F (°C) |            |            |            |           |             |             |             |
|----------------------|-----|---|------------|------------|------------|-----------|-------------|-------------|-------------|
|                      |     | 55 (12.78)                                  | 65 (18.33) | 75 (23.89) | 85 (29.44) | 95 (35.0) | 105 (40.56) | 115 (46.11) | 125 (51.67) |
| <b>24ACC642A**30</b> |     |   |            |            |            |           |             |             |             |
| 30<br>(-1.11)        | TCG | 37.90                                       | 36.20      | 34.30      | 32.30      | 30.10     | 27.90       | 25.50       | 23.00       |
|                      | SDT | 69.80                                       | 79.20      | 88.70      | 98.10      | 107.40    | 116.70      | 125.90      | 135.10      |
|                      | KW  | 1.83  | 2.03       | 2.26       | 2.54       | 2.86      | 3.22        | 3.63        | 4.09        |
| 35<br>(1.67)         | TCG | 41.90                                       | 40.00      | 37.90      | 35.70      | 33.30     | 30.80       | 28.30       | 25.60       |
|                      | SDT | 71.20                                       | 80.60      | 89.90      | 99.20      | 108.40    | 117.70      | 126.80      | 136.00      |
|                      | KW  | 1.84  | 2.04       | 2.28       | 2.56       | 2.88      | 3.24        | 3.65        | 4.10        |
| 40<br>(4.44)         | TCG | 46.10                                       | 44.00      | 41.70      | 39.20      | 36.70     | 34.00       | 31.20       | 28.30       |
|                      | SDT | 72.70                                       | 81.90      | 91.20      | 100.40     | 109.60    | 118.70      | 127.80      | 136.90      |
|                      | KW  | 1.85  | 2.05       | 2.30       | 2.58       | 2.90      | 3.26        | 3.67        | 4.13        |
| 45<br>(7.22)         | TCG | 50.70                                       | 48.30      | 45.80      | 43.10      | 40.20     | 37.30       | 34.30       | 31.10       |
|                      | SDT | 74.20                                       | 83.30      | 92.50      | 101.60     | 110.80    | 119.80      | 128.90      | 137.90      |
|                      | KW  | 1.86  | 2.07       | 2.32       | 2.60       | 2.92      | 3.29        | 3.70        | 4.15        |
| 50<br>(10.0)         | TCG | 55.50                                       | 52.90      | 50.10      | 47.10      | 44.00     | 40.80       | 37.50       | 34.10       |
|                      | SDT | 75.80                                       | 84.80      | 93.90      | 103.00     | 112.00    | 121.00      | 130.00      | 138.90      |
|                      | KW  | 1.87  | 2.09       | 2.34       | 2.63       | 2.95      | 3.32        | 3.73        | 4.19        |
| 55<br>(12.78)        | TCG | 60.70                                       | 57.70      | 54.60      | 51.30      | 47.90     | 44.40       | 40.80       | 37.10       |
|                      | SDT | 77.40                                       | 86.40      | 95.40      | 104.40     | 113.40    | 122.30      | 131.20      | 140.00      |
|                      | KW  | 1.89  | 2.11       | 2.36       | 2.66       | 2.99      | 3.36        | 3.77        | 4.22        |
| <b>24ACC648A**30</b> |     |   |            |            |            |           |             |             |             |
| 30<br>(-1.11)        | TCG | 41.30                                       | 39.10      | 36.90      | 34.70      | 32.40     | 30.00       | 27.50       | 24.80       |
|                      | SDT | 67.80                                       | 77.20      | 86.60      | 96.00      | 105.40    | 114.70      | 124.00      | 133.30      |
|                      | KW  | 2.01  | 2.31       | 2.59       | 2.89       | 3.19      | 3.54        | 3.93        | 4.38        |
| 35<br>(1.67)         | TCG | 45.60                                       | 43.20      | 40.80      | 38.30      | 35.80     | 33.20       | 30.40       | 27.60       |
|                      | SDT | 69.00                                       | 78.30      | 87.70      | 97.00      | 106.30    | 115.60      | 124.80      | 134.10      |
|                      | KW  | 1.94  | 2.27       | 2.58       | 2.89       | 3.21      | 3.56        | 3.95        | 4.39        |
| 40<br>(4.44)         | TCG | 50.50                                       | 47.70      | 45.00      | 42.20      | 39.40     | 36.60       | 33.60       | 30.50       |
|                      | SDT | 70.40                                       | 79.60      | 88.80      | 98.00      | 107.20    | 116.50      | 125.70      | 134.80      |
|                      | KW  | 1.84  | 2.20       | 2.54       | 2.87       | 3.21      | 3.57        | 3.97        | 4.41        |
| 45<br>(7.22)         | TCG | 55.70                                       | 52.60      | 49.50      | 46.50      | 43.40     | 40.20       | 36.90       | 33.50       |
|                      | SDT | 71.80                                       | 80.80      | 90.00      | 99.10      | 108.30    | 117.40      | 126.60      | 135.70      |
|                      | KW  | 1.69  | 2.09       | 2.46       | 2.83       | 3.19      | 3.57        | 3.98        | 4.43        |
| 50<br>(10.0)         | TCG | 61.40                                       | 57.90      | 54.50      | 51.00      | 47.60     | 44.10       | 40.50       | 36.70       |
|                      | SDT | 73.20                                       | 82.20      | 91.30      | 100.30     | 109.40    | 118.50      | 127.50      | 136.50      |
|                      | KW  | 1.50  | 1.94       | 2.36       | 2.76       | 3.15      | 3.55        | 3.98        | 4.44        |
| 55<br>(12.78)        | TCG | 67.60                                       | 63.60      | 59.80      | 55.90      | 52.10     | 48.20       | 44.20       | 40.10       |
|                      | SDT | 74.70                                       | 83.70      | 92.60      | 101.60     | 110.60    | 119.60      | 128.50      | 137.40      |
|                      | KW  | 1.26  | 1.75       | 2.21       | 2.65       | 3.08      | 3.51        | 3.97        | 4.44        |
| <b>24ACC660A**30</b> |     |   |            |            |            |           |             |             |             |
| 30<br>(-1.11)        | TCG | 45.10                                       | 43.80      | 42.30      | 40.50      | 38.50     | 36.20       | 33.50       | 30.50       |
|                      | SDT | 69.00                                       | 78.40      | 87.70      | 97.10      | 106.40    | 115.60      | 124.80      | 134.00      |
|                      | KW  | 2.22  | 2.52       | 2.83       | 3.17       | 3.56      | 4.00        | 4.53        | 5.15        |
| 35<br>(1.67)         | TCG | 50.00                                       | 48.40      | 46.70      | 44.70      | 42.50     | 40.00       | 37.10       | 33.80       |
|                      | SDT | 70.40                                       | 79.70      | 89.00      | 98.20      | 107.40    | 116.60      | 125.80      | 134.90      |
|                      | KW  | 2.21  | 2.52       | 2.85       | 3.19       | 3.58      | 4.03        | 4.55        | 5.16        |
| 40<br>(4.44)         | TCG | 55.10                                       | 53.40      | 51.40      | 49.20      | 46.70     | 44.00       | 40.80       | 37.30       |
|                      | SDT | 71.90                                       | 81.10      | 90.20      | 99.40      | 108.50    | 117.60      | 126.70      | 135.70      |
|                      | KW  | 2.21  | 2.53       | 2.86       | 3.21       | 3.61      | 4.05        | 4.57        | 5.18        |
| 45<br>(7.22)         | TCG | 60.70                                       | 58.60      | 56.40      | 54.00      | 51.20     | 48.20       | 44.80       | 41.00       |
|                      | SDT | 73.50                                       | 82.50      | 91.60      | 100.70     | 109.70    | 118.70      | 127.70      | 136.70      |
|                      | KW  | 2.20  | 2.53       | 2.87       | 3.23       | 3.63      | 4.08        | 4.60        | 5.20        |
| 50<br>(10.0)         | TCG | 66.50                                       | 64.20      | 61.70      | 59.00      | 56.00     | 52.60       | 48.90       | 44.70       |
|                      | SDT | 75.10                                       | 84.00      | 93.00      | 102.00     | 111.00    | 119.90      | 128.80      | 137.60      |
|                      | KW  | 2.19  | 2.53       | 2.89       | 3.26       | 3.66      | 4.11        | 4.63        | 5.22        |
| 55<br>(12.78)        | TCG | 72.80                                       | 70.10      | 67.30      | 64.20      | 60.90     | 57.20       | 53.10       | 48.60       |
|                      | SDT | 76.80                                       | 85.70      | 94.50      | 103.40     | 112.30    | 121.10      | 129.90      | 138.60      |
|                      | KW  | 2.18  | 2.54       | 2.90       | 3.28       | 3.69      | 4.15        | 4.66        | 5.25        |

\* AHRI listing applies only to systems shown in Combination Ratings table.

**KW** – Outdoor Unit Kilowatts Only.

**SDT** – Saturated Temperature Leaving Compressor (°F)

**SST** – Saturated Temperature Entering Compressor (°F/°C)

**TCG** – Gross Cooling Capacity (1000 Btuh)

24ACC6

# GUIDE SPECIFICATIONS

## GENERAL

### System Description

Outdoor-mounted, air-cooled, split-system air conditioner unit suitable for ground or rooftop installation. Unit consists of a hermetic compressor, an air-cooled coil, propeller-type condenser fan, and a control box. Unit will discharge supply air upward as shown on contract drawings. Unit will be used in a refrigeration circuit to match up to a packaged fan coil or coil unit.

### Quality Assurance

- Unit will be rated in accordance with the latest edition of AHRI Standard 210.
- Unit will be certified for capacity and efficiency, and listed in the latest AHRI directory.
- Unit construction will comply with latest edition of ANSI/ASHRAE and with NEC.
- Unit will be constructed in accordance with UL standards and will carry the UL label of approval. Unit will have c-UL-us approval.
- Unit cabinet will be capable of withstanding Federal Test Method Standard No. 141 (Method 6061) 500-hr salt spray test.
- Air-cooled condenser coils will be leak tested at 150 psig and pressure tested at 450 psig.
- Unit constructed in ISO9001 approved facility.

### Delivery, Storage, and Handling

- Unit will be shipped as single package only and is stored and handled per unit manufacturer's recommendations.

### Warranty (for inclusion by specifying engineer)

- U.S. and Canada only.

## PRODUCTS

### Equipment

Factory assembled, single piece, air-cooled air conditioner unit. Contained within the unit enclosure is all factory wiring, piping, controls, compressor, refrigerant charge Puron® (R-410A), and special features required prior to field start-up.

### Unit Cabinet

- Unit cabinet will be constructed of galvanized steel, bonderized, and coated with a powder coat paint.

## AIR-COOLED, SPLIT-SYSTEM AIR CONDITIONER

24ACC6

1-1/2 TO 5 NOMINAL TONS

### Fans

- Condenser fan will be direct-drive propeller type, discharging air upward.
- Condenser fan motors will be totally enclosed, 1-phase type with class B insulation and permanently lubricated bearings. Shafts will be corrosion resistant.
- Fan blades will be statically and dynamically balanced.
- Condenser fan openings will be equipped with coated steel wire safety guards.

### Compressor

- Compressor will be hermetically sealed.
- Compressor will be mounted on rubber vibration isolators.

### Condenser Coil

- Condenser coil will be air cooled.
- Coil will be constructed of aluminum fins mechanically bonded to copper tubes which are then cleaned, dehydrated, and sealed.

### Refrigeration Components

- Refrigeration circuit components will include liquid-line shutoff valve with sweat connections, vapor-line shutoff valve with sweat connections, system charge of Puron® (R-410A) refrigerant, and compressor oil.
- Unit will be equipped with high-pressure switch, low pressure switch and filter drier for Puron refrigerant.

### Operating Characteristics

- The capacity of the unit will meet or exceed \_\_\_\_\_ Btuh at a suction temperature of \_\_\_\_\_ °F/°C. The power consumption at full load will not exceed \_\_\_\_\_ kW.
- Combination of the unit and the evaporator or fan coil unit will have a total net cooling capacity of \_\_\_\_\_ Btuh or greater at conditions of \_\_\_\_\_ CFM entering air temperature at the evaporator at \_\_\_\_\_ °F/°C wet bulb and \_\_\_\_\_ °F/°C dry bulb, and air entering the unit at \_\_\_\_\_ °F/°C.
- The system will have a SEER of \_\_\_\_\_ Btuh/watt or greater at DOE conditions.

### Electrical Requirements

- Nominal unit electrical characteristics will be \_\_\_\_\_ v, single phase, 60 hz. The unit will be capable of satisfactory operation within voltage limits of \_\_\_\_\_ v to \_\_\_\_\_ v.
- Unit electrical power will be single point connection.
- Control circuit will be 24v.

### Special Features

- Refer to section of this literature identifying accessories and descriptions for specific features and available enhancements.

24ACC6

## SYSTEM DESIGN SUMMARY

1. Intended for outdoor installation with free air inlet and outlet. Outdoor fan external static pressure available is less than 0.01-in. wc.
2. Minimum outdoor operating air temperature for cooling mode without low-ambient operation accessory is 55°F (12.8°C).
3. Maximum outdoor operating air temperature is 125°F (51.7°C).
4. For reliable operation, unit should be level in all horizontal planes.
5. For interconnecting refrigerant tube lengths greater than 80 ft (23.4 m) and/or 35 ft (10.7 m) vertical differential, consult Residential Piping and Longline Guideline and Service Manual available from equipment distributor.
6. If any refrigerant tubing is buried, provide a 6 in. (152.4 mm) vertical rise to the valve connections at the unit. Refrigerant tubing lengths up to 36 in. (914.4 mm) may be buried without further consideration. Do not bury refrigerant lines longer than 36 in. (914.4 mm).
7. Use only copper wire for electric connection at unit. Aluminum and clad aluminum are not acceptable for the type of connector provided.
8. Do not apply capillary tube indoor coils to these units.
9. Factory-supplied filter drier must be installed.

24ACC6