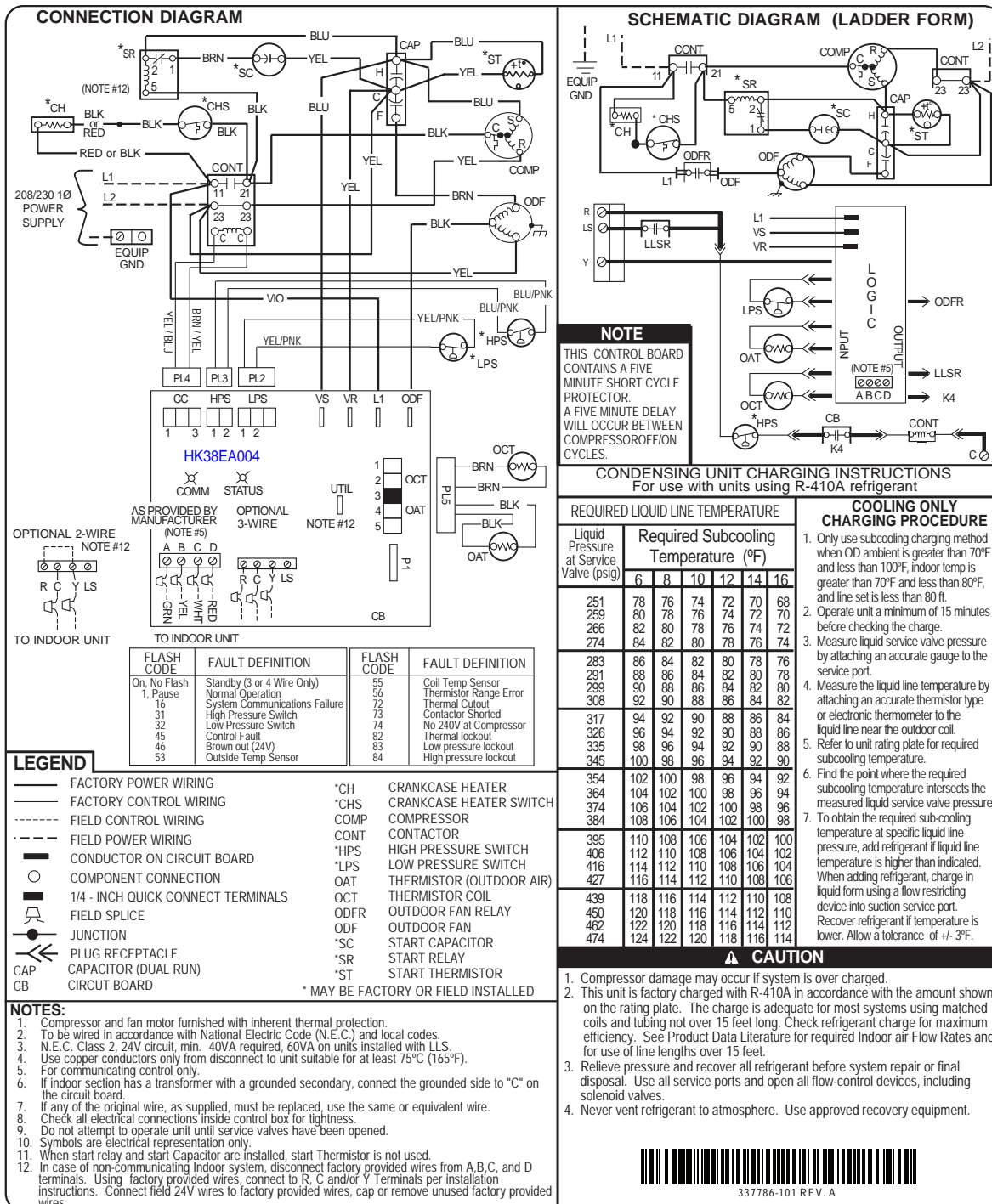


24ANB6 Infinity® Air Conditioner with Puron® Refrigerant 1-1/2 to 5 Nominal Tons (Size 18-60)



Wiring Diagram



LEGEND

—	FACTORY POWER WIRING	*CH	CRANKCASE HEATER
—	FACTORY CONTROL WIRING	*CHS	CRANKCASE HEATER SWITCH
---	FIELD CONTROL WIRING	COMP	COMPRESSOR
---	FIELD POWER WIRING	CONT	CONTACTOR
—	CONDUCTOR ON CIRCUIT BOARD	*HPS	HIGH PRESSURE SWITCH
○	COMPONENT CONNECTION	*LPS	LOW PRESSURE SWITCH
—	1/4 - INCH QUICK CONNECT TERMINALS	OAT	THERMISTOR (OUTDOOR AIR)
—	JUNCTION	OCT	THERMISTOR COIL
—	PLUG RECEPTACLE	ODFR	OUTDOOR FAN RELAY
—	CAPACITOR (DUAL RUN)	ODF	OUTDOOR FAN
—	CIRCUIT BOARD	*SC	START CAPACITOR
		*SR	START RELAY
		*ST	START THERMISTOR

* MAY BE FACTORY OR FIELD INSTALLED

NOTES:

- Compressor and fan motor furnished with inherent thermal protection.
- To be wired in accordance with National Electric Code (N.E.C.) and local codes.
- N.E.C. Class 2, 24V circuit, min. 40VA required, 60VA on units installed with LLS.
- Use copper conductors only from disconnect to unit suitable for at least 75°C (165°F).
- For communicating control only.
- If indoor section has a transformer with a grounded secondary, connect the grounded side to "C" on the circuit board.
- If any of the original wire, as supplied, must be replaced, use the same or equivalent wire.
- Check all electrical connections inside control box for tightness.
- Do not attempt to operate unit until service valves have been opened.
- Symbols are electrical representation only.
- When start relay and start Capacitor are installed, start Thermistor is not used.
- In case of non-communicating Indoor system, disconnect factory provided wires from A,B,C, and D terminals. Using factory provided wires, connect to R, C and/or Y Terminals per installation instructions. Connect field 24V wires to factory provided wires, cap or remove unused factory provided wires.



337786-101 REV. A

Fig. 1 – Wiring Diagram — Model sizes 1-1/2 - 5 tons, 208/230-1

