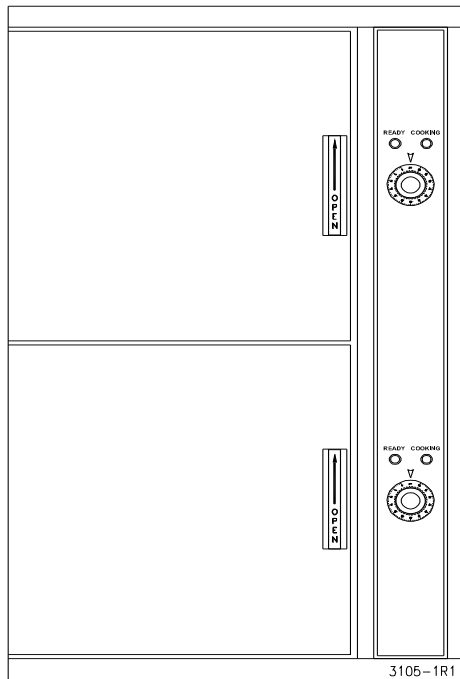




**IMPORTANT FOR FUTURE REFERENCE**  
Please complete this information and retain this manual for the life of the equipment:

Model #: \_\_\_\_\_  
Serial #: \_\_\_\_\_  
Date Purchased: \_\_\_\_\_


**PARTS LIST**  
**Two Compartment Steamer Heads**  
**CX-2 CX-10**  
**Used on : DCX-2 ECX-2 GCX-2 SCX-2**  
**DCX-10 ECX-10 GCX-10 SCX-10**



**⚠ WARNING**

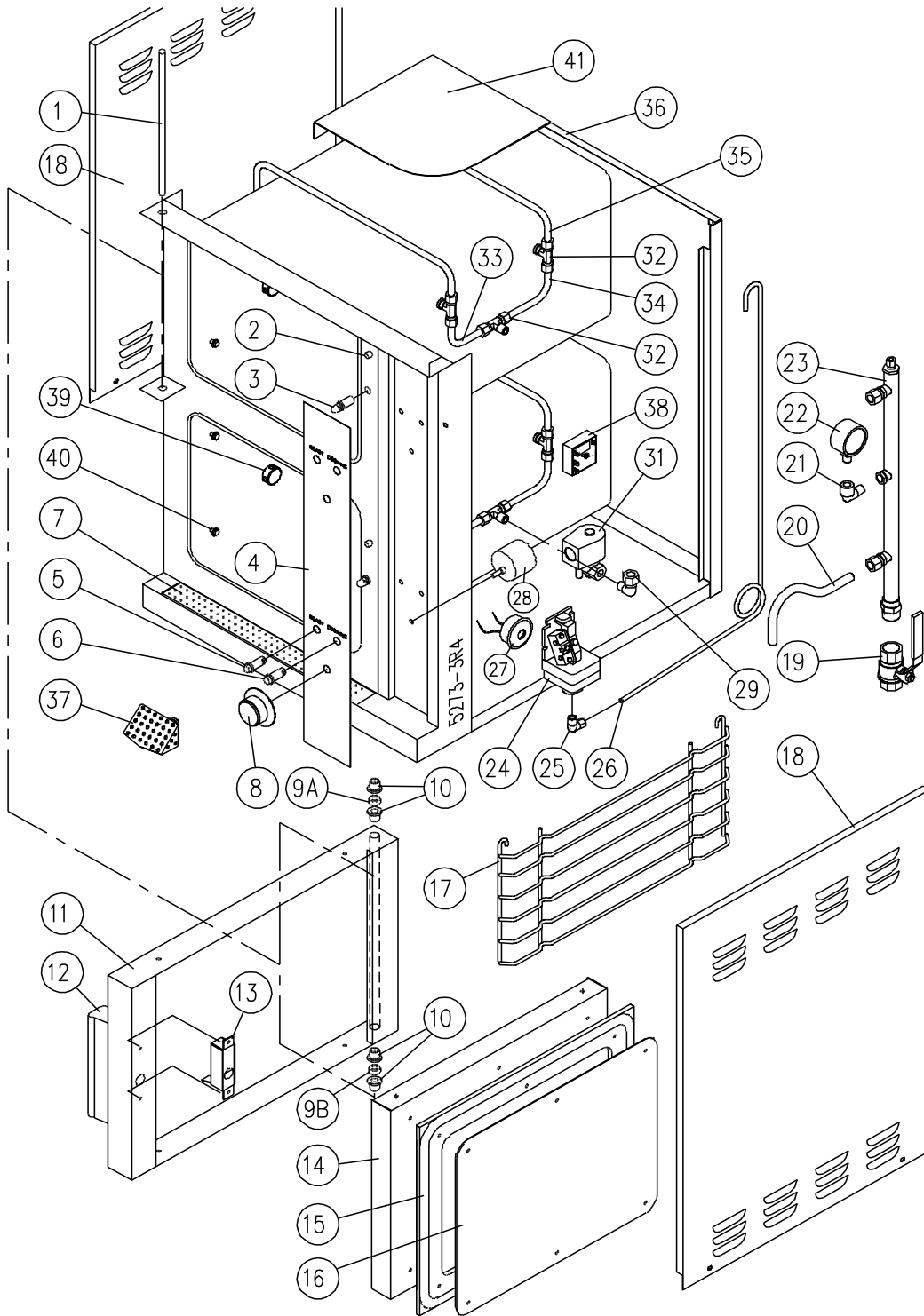
Improper installation, adjustment, alteration, service or maintenance can cause property damage, injury or death. Read the installation, operating and maintenance instructions thoroughly before installing or servicing this equipment.

**CROWN FOOD SERVICE EQUIPMENT**

 A Middleby Company  
70 Oakdale Road, Downsview (Toronto) Ontario, Canada, M3N 1V9  
Telephone: 919-762-1000      www.crownsteamgroup.com  
Printed in Canada



PARTS LIST, PRESSURELESS COOKER 6 PAN & 10 PAN UNITS, MODELS CX-2, CX-10



PARTS LIST, PRESSURELESS COOKER 6 PAN & 10 PAN UNITS, MODELS CX-2, CX-10

<u>ITEM</u>	<u>PART NO.</u>	<u>DESCRIPTION</u>	<u>QUANTITY</u>	
			<u>CX-2</u>	<u>CX-10</u>
1	8-5101	Hinge Rod	1	
	8-5101-5	Hinge Rod		1
2	9-3213	Door Switch	2	2
	9-3336	Actuator Pin Complete With Clip	2	2
3	8-5021	Striker	2	2
	8-5022	Spacer	2	2
	S05N-12	Lock Washer	2	2
	1-89S0	Nut, 1/2-20 UNF, Stainless Steel	2	2
4	7582-1	Control Decal	1	
	7481-1	Control Decal		1
5	4-PL04	Pilot Light, Green	2	2
6	4-PL07	Pilot Light, Red	2	2
7	8-5023	Perforated Trough	1	1
**	8 4104-1	Dial, 60 Minutes, 60 Hz	2	2
	4103-1	Dial, 60 Minutes, 50 Hz	2	2
	4105-1	Dial, 120 Minutes, 60 Hz	2	2
9A	5716-1	Spacer - Upper	2	2
9B	5717-1	Spacer - Lower	2	2
10	8-5078	Bushing	8	8
11	8-5076-9	Door Assembly	2	
	8-5076-8	Door Assembly		2
12	3903-2	Handle Assembly	2	2
*	4090-2	Handle	1	1
*	4089-2	Handle Plate	1	1
*	M68S-1420-134	Socket Screw, 1/4 - 20 x 1-3/4	2	2
*	M68S-1420-34	Socket Screw, 1/4 - 20 x 3/4	1	1
*	4088-1	Spacer	2	2

PARTS LIST, PRESSURELESS COOKER 6 PAN & 10 PAN UNITS, MODELS CX-2, CX-10

<u>ITEM</u>	<u>PART NO.</u>	<u>DESCRIPTION</u>	<u>QUANTITY</u>		
			<u>CX-2</u>	<u>CX-10</u>	
*	12	S05N-14	Lock Washer, 1/4	2	2
*		1-59S0	Nut, 1/4 - 20	2	2
*		3646-1	Decal	2	2
	13	8-5068-9	Latch Assembly	2	2
	14	8-5065-9	Door Panel	2	
		8-5065-8	Door Panel		2
	15	8-5063-9	Door Gasket	2	
		8-5063-8	Door Gasket		2
	16	8-5064-9	Door Gasket Plate	2	
		8-5064-8	Door Gasket Plate		2
		9-1011-1	Screws	12	16
	17	2681-1	Pan Racks	4	
		2681-3	Pan Racks		4
	18	6765-5	Side Panel	2	
		6765-3	Side Panel		2
		M33S-1032-12	Screws	2	2
	19	3-BVE0	Steam Control Valve	1	1
	20	9-3029	Steam Supply Tube	2	
		9-3029-1	Steam Supply Tube		2
	21	3-H116B	Elbow	1	1
	22	3-BM15	Pressure Gauge	1	1
	23	9-3219	Steam Manifold	1	
	23	9-3219-1	Steam Manifold		1
	24	9411-1	Pressure Switch Assembly	1	1
	25	3-694B	Elbow, 1/4C x 1/4 MPT	1	1
	26	9-3220	Steam Tube, 1/4 Copper	1	
		9-3220-1	Steam Tube, 1/4 Copper		1
	27	3821-1	Buzzer	1	1

PARTS LIST, PRESSURELESS COOKER 6 PAN & 10 PAN UNITS, MODELS CX-2, CX-10

<u>ITEM</u>	<u>PART NO.</u>	<u>DESCRIPTION</u>	<u>QUANTITY</u>	
			<u>CX-2</u>	<u>CX-10</u>
**	28	4-T210	2	2
		9386-2	2	2
*		9109-1	2	2
	29	3-698B	2	2
	30	3-TS01	2	2
	31	9306-1	2	2
	32	3-726B	6	6
	33	9-3221	2	2
	34	9-3222	2	2
	35	9-3295	4	
		4971-1		4
	36	8391-1		1
		8391-2	1	
	37	8-5081	2	2
	38	9229-1	1	1
	39	3502-2	8	8
	40	4721-1	16	16
	41	7930-1	1	1
*	42	9-3296	2	2
*	43	2718-1	1	1

\* NOT SHOWN.

\*\* SELECT AS REQUIRED.