



IMPORTANT FOR FUTURE REFERENCE

Please complete this information and retain this manual for the life of the equipment:

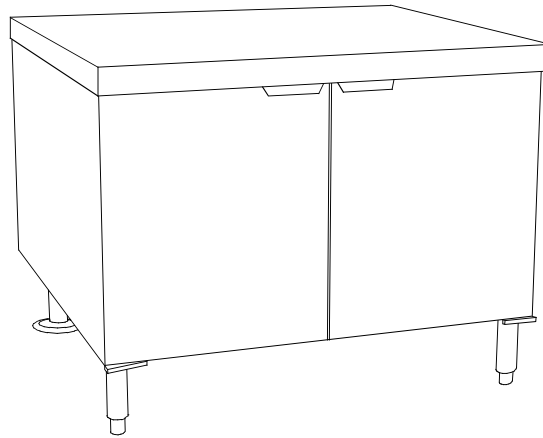
Model #: _____

Serial #: _____

Date Purchased: _____

PARTS LIST

Direct Steam Bases for Cookers and Steamers



WARNING

Improper installation, adjustment, alteration, service or maintenance can cause property damage, injury or death. Read the installation, operating and maintenance instructions thoroughly before installing or servicing this equipment.

CROWN FOOD SERVICE EQUIPMENT

 A Middleby Company

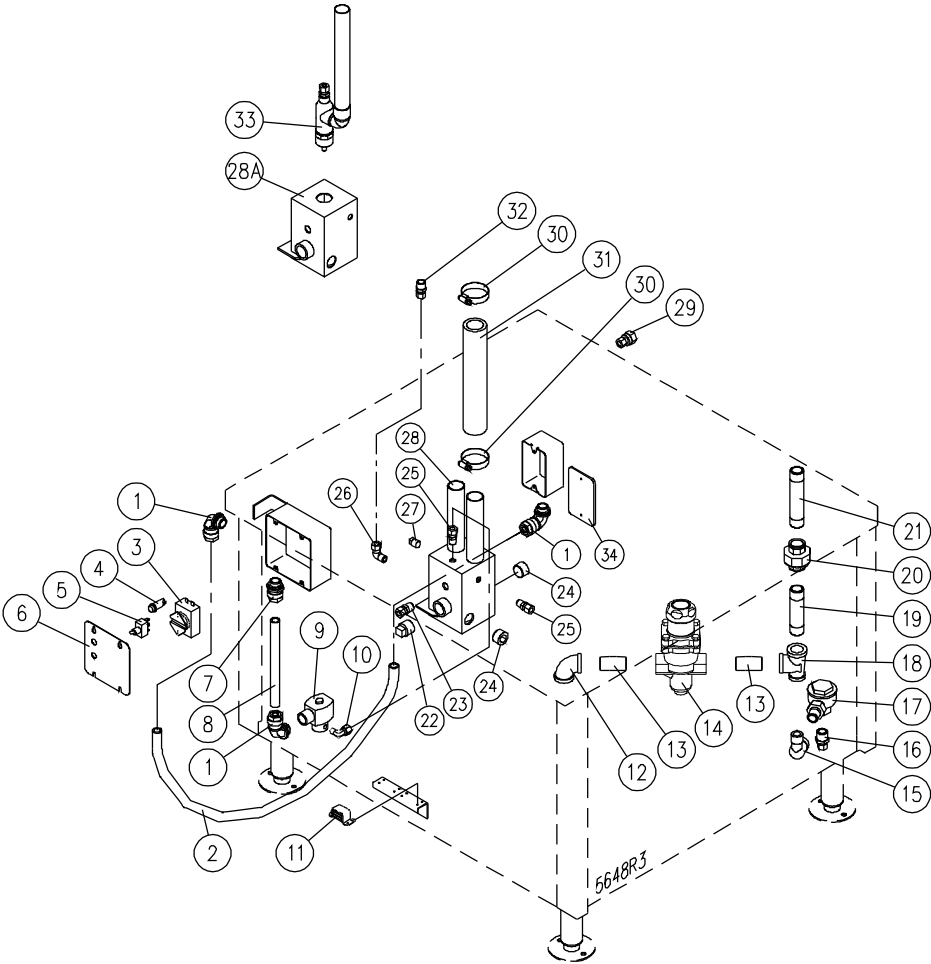
70 Oakdale Road, Downsview (Toronto) Ontario, Canada, M3N 1V9

Telephone: 919-762-1000 www.crownsteamgroup.com

Printed in Canada



PARTS LIST, DIRECT STEAM BASES FOR COOKERS AND STEAMERS



PARTS LIST, DIRECT STEAM BASES FOR COOKERS AND STEAMERS

DIRECT STEAM CABINET

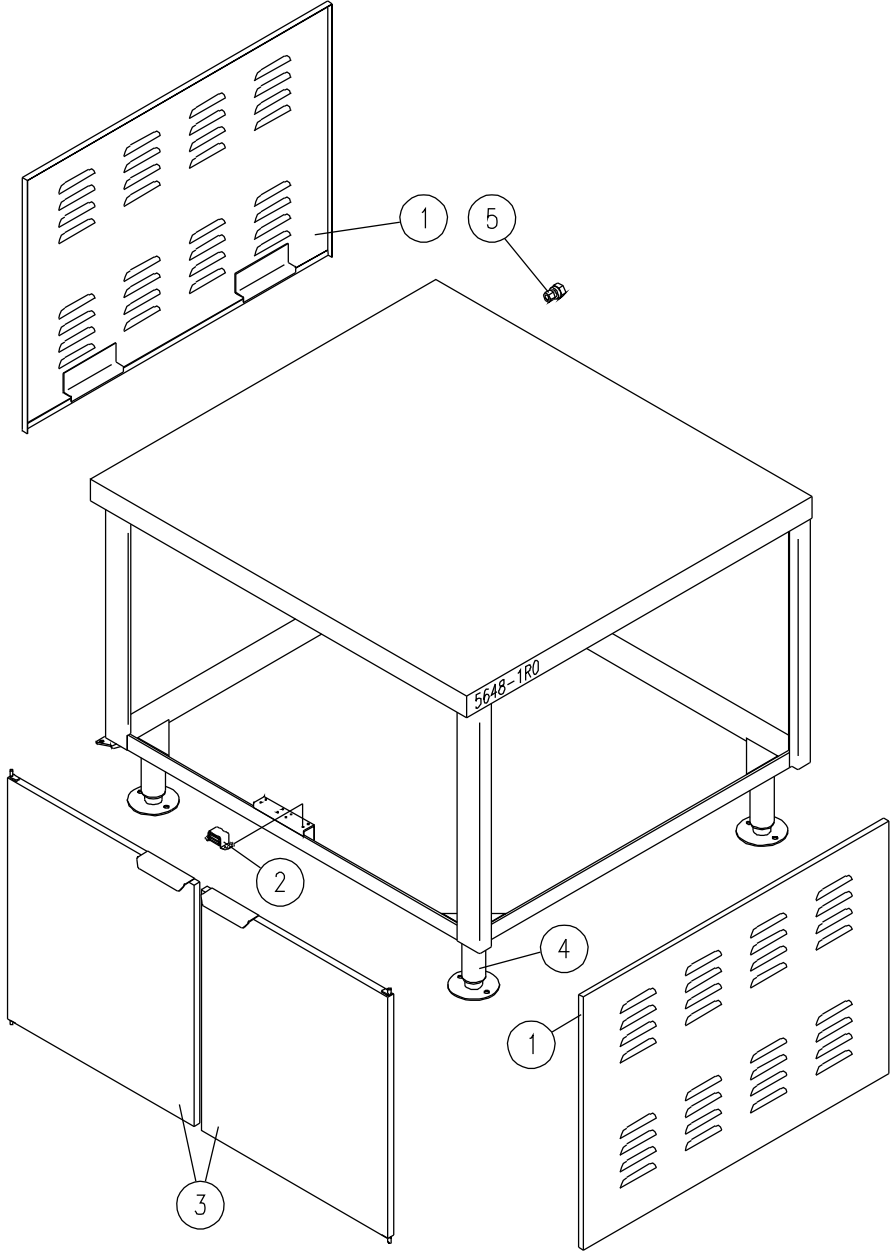
| <u>ITEM NO.</u> | <u>PART NO.</u> | <u>DESCRIPTION</u> | <u>QTY.</u> |
|------------------------|------------------------|--|--------------------|
| 1. | 9018-1 | Liquid Tite Elbow 90°, 3/8" | 3 |
| 2. | 9020-1 | Liquid Tite Conduit 36" Long | 1 |
| 3. | 4-TH04 | Drain Thermostat | 1 |
| 4. | 4-PL04 | Pilot Light, Green, 125V | 1 |
| 5. | 9110-1 | Toggle Switch | 1 |
| 6. | 5547-1 | Junction Box Cover | 1 |
| 7. | 9019-1 | Liquid Tite Straight Connector, 3/8" | 1 |
| 8. | 9020-1 | Liquid Tite Conduit 12" Long | 1 |
| ** | 9310-1 | Cooling Solenoid, DCX-[2, 10], DC-[2, 3] | 1 |
| | 9308-1 | Cooling Solenoid, DCX-16 | 1 |
| 10. | 3-696A | Brass Elbow, 90°, 3/8" Tube x 1/8 NPT | 1 |
| 11. | 4777-1 | Magnetic Catch | 1 |
| 12. | 9011-4 | Elbow, 90°, 3/4" | 1 |
| 13. | 9090-020 | Brass Pipe Nipple, 3/4" x 2" Long | 2 |
| 14. | 9361-1 | Pressure Regulator, 3/4" NPT | 1 |
| 15. | 9012-3 | Street Elbow, 90°, 1/2" | 1 |
| 16. | 3-686D | Brass Connector, 3/8" Tube x 1/2" NPT | 1 |
| 17. | 9170-1 | Steam Trap | 1 |
| 18. | 9013-12 | Tee, 3/4" x 1/2" x 3/4" | 1 |
| 19. | 9090-040 | Brass Pipe Nipple, 3/4" x 4" Long | 1 |
| 20. | 9015-4 | Ground Joint Union, 3/4" | 1 |
| 21. | 9090-050 | Brass Pipe Nipple, 3/4" x 5" Long | 1 |
| 22. | 9035-5 | Square Head Pipe Plug, 3/4" NPT | 1 |

PARTS LIST, DIRECT STEAM BASES FOR COOKERS AND STEAMERS

| <u>ITEM NO.</u> | <u>PART NO.</u> | <u>DESCRIPTION</u> | <u>QTY.</u> | |
|-----------------|-----------------|--|---|---|
| 23. | 3-686C | Thermostat Fitting | 1 | |
| 24. | 9127-2 | Hex Socket Plug, 3/4" NPT | 2 | |
| 25. | 3-686B | Connector, 3/8" Tube x 1/4" NPT | 2 | |
| 26. | 3-696B | Brass Elbow, 90°, 3/8" Tube x 1/4" NPT | 1 | |
| 27. | 9035-2 | Square Head Pipe Plug, 1/4" | 1 | |
| 28. | 6474-1 | Drain Assembly (Pressureless Cookers) | 1 | |
| 28A | 6475-1 | Drain Assembly (Pressure Cookers) | 1 | |
| 29. | 3-666D | Connector, 3/8" Tube x 1/2" NPT | 1 | |
| 30. | 9017-5 | Gear Clamp | 4 | |
| ** | 31. | 9186-125-100 | Drain Hose, 10" Long (CX-2) | 2 |
| | | 9186-125-200 | Drain Hose, 20" Long with Riser | 2 |
| | | 9186-125-150 | Drain Hose, 15" Long, (CX-16) | 2 |
| | | 9186-125-090 | Drain Hose, 9" Long, (CX-10) | 1 |
| | 32. | 3-686C | Connector, 3/8" Tube x 3/8" NPT | 1 |
| | 33. | 5388-1 | Exhaust Drain Assembly (Pressure Cookers) | 1 |
| | 34. | 9-2001 | Electrical Box Cover | 1 |

** SELECT AS REQUIRED.

PARTS LIST, DIRECT STEAM BASES FOR COOKERS AND STEAMERS



PARTS LIST, DIRECT STEAM BASES FOR COOKERS AND STEAMERS

CABINET 28" HEIGHT

| <u>ITEM</u> | <u>PART NO.</u> | <u>DESCRIPTION</u> | <u>24"</u> | <u>36"</u> | <u>48"</u> |
|-------------|---------------------|---|------------|------------|------------|
| 1. | 3563-1 | Side Panel | 2 | 2 | 2 |
| 2. | 4777-1 | Magnetic Catch | 1 | 2 | 2 |
| * | M19X-632-14 | Catch Screws | 4 | 8 | 8 |
| ** | 3. 3373-1 | Door Assembly, 23 3/4W x 20H | 1 | | |
| | 3204-1 | Door Assembly, R.H. 17 7/8W x 20H | | 1 | |
| | 3209-1 | Door Assembly, L.H. 17 7/8W x 20H | | 1 | |
| | 5987-1 | Door Assembly, R.H. 23 7/8W x 23 7/8W x 20H | | | 1 |
| | 3373-1 | Door Assembly, L.H. 23 3/4W x 20H | | | 1 |
| 4. | 5379-1 | Adjustable Flanged Leg | 4 | 4 | 4 |
| * | HN01X-1213 | Hex Nut, 1/2-13 UNC | 4 | 4 | 4 |
| 5. | 3-666D | Connector, Brass, 3/8 C x 1/2 FPT | 1 | 1 | 1 |
| * | NOT SHOWN. | | | | |
| ** | SELECT AS REQUIRED. | | | | |

PARTS LIST, DIRECT STEAM BASES FOR COOKERS AND STEAMERS

CABINET 32" HEIGHT

| <u>PART NO.</u> | <u>DESCRIPTION</u> | <u>WIDTH</u> | | | | | |
|-----------------|---|--------------|------------|------------|------------|------------|------------|
| | | <u>24"</u> | <u>36"</u> | <u>42"</u> | <u>44"</u> | <u>48"</u> | <u>60"</u> |
| 1. 3563-1 | Lower Panel Assembly | 2 | 2 | 2 | 2 | 2 | 2 |
| 2. 4777-1 | Magnetic Catch | 1 | 2 | 2 | 2 | 2 | 3 |
| * M19X-632-14 | Rnd Hd Screw, #6-32 UNC x 1/4 Lg. | 4 | 8 | 8 | 8 | 8 | 12 |
| ** 3. 5222-1 | Door Assembly, 23 13/16W x 23 15/16H | 1 | | | | | |
| 5988-1 | Door Assembly, R.H. 17 13/16W x 23 15/16H | | 1 | | | | |
| 5989-1 | Door Assembly, L.H. 17 13/16W x 23 15/16H | | 1 | | | | |
| 3890-1 | Door Assembly, R.H. 20 13/16W x 23 15/16H | | | 1 | | | |
| 3891-1 | Door Assembly, L.H. 20 13/16W x 23 15/16H | | | 1 | | | |
| 5990-1 | Door Assembly, R.H. 21 13/16W x 23 15/16H | | | | 1 | | |
| 5991-1 | Door Assembly, L.H. 21 13/16W x 23 15/16H | | | | 1 | | |
| 5223-1 | Door Assembly, R.H. 23 13/16W x 23 15/16H | | | | | 1 | |
| 5222-1 | Door Assembly, L.H. 23 13/16W x 23 15/16H | | | | | 1 | |
| 5223-1 | Door Assembly, R.H. 23 13/16W x 23 15/16H | | | | | | 1 |
| 5989-1 | Door Assembly, L.H. 17 13/16W x 23 15/16H | | | | | | 1 |
| 5988-1 | Door Assembly, Centre, 17 13/16W x 23 15/16H | | | | | | 1 |

PARTS LIST, DIRECT STEAM BASES FOR COOKERS AND STEAMERS

| <u>PART NO.</u> | <u>DESCRIPTION</u> | <u>WIDTH</u> | | | | | |
|-----------------|--------------------------------------|--------------|------------|------------|------------|------------|------------|
| | | <u>24"</u> | <u>36"</u> | <u>42"</u> | <u>44"</u> | <u>48"</u> | <u>60"</u> |
| 4. 5379-1 | Adjustable Flanged Leg | 4 | 4 | 4 | 4 | 4 | 4 |
| HN01X-1213 | Hex Nut, 1/2-13 UNC | 4 | 4 | 4 | 4 | 4 | 4 |
| 5. 3-666D | Connector, Brass, 3/8 C x 1/2 FPT | 1 | 1 | 1 | 1 | 1 | 1 |

* NOT SHOWN

** SELECT AS REQUIRED.