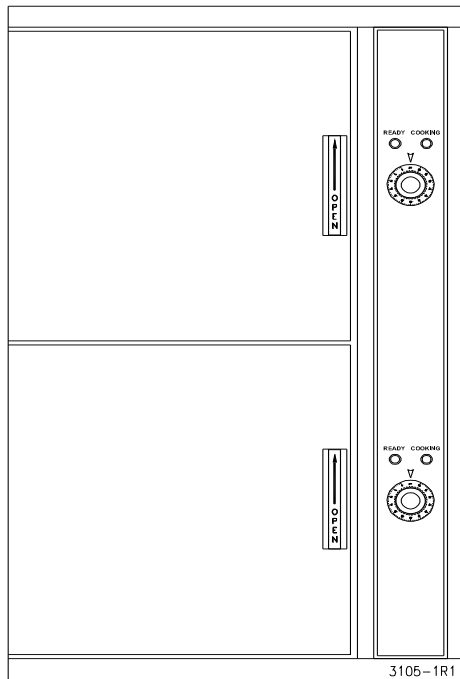




**IMPORTANT FOR FUTURE REFERENCE**  
 Please complete this information and retain this manual for the life of the equipment:

Model #: \_\_\_\_\_  
 Serial #: \_\_\_\_\_  
 Date Purchased: \_\_\_\_\_

**PARTS LIST**  
**Two Compartment Steamer Heads**  
**CX-2 CX-10**  
**Used on : DCX-2 ECX-2 GCX-2 SCX-2**  
**DCX-10 ECX-10 GCX-10 SCX-10**



**⚠ WARNING**

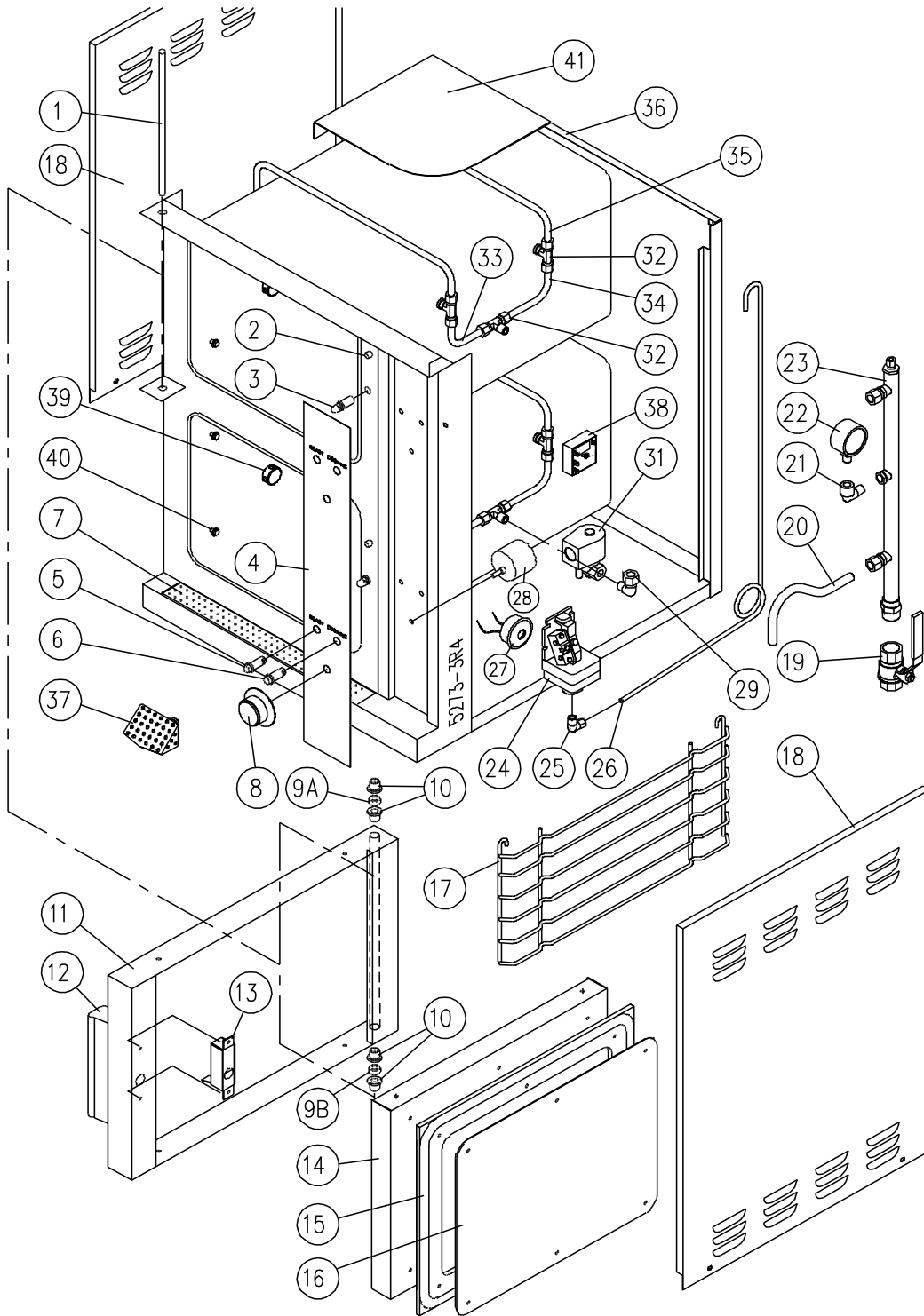
Improper installation, adjustment, alteration, service or maintenance can cause property damage, injury or death. Read the installation, operating and maintenance instructions thoroughly before installing or servicing this equipment.

**CROWN FOOD SERVICE EQUIPMENT**

A Middleby Company  
 70 Oakdale Road, Downsview (Toronto) Ontario, Canada, M3N 1V9  
 Telephone: 919-762-1000 www.crownsteamgroup.com  
 Printed in Canada



PARTS LIST, PRESSURELESS COOKER 6 PAN & 10 PAN UNITS, MODELS CX-2, CX-10



PARTS LIST, PRESSURELESS COOKER 6 PAN & 10 PAN UNITS, MODELS CX-2, CX-10

| <u>ITEM</u> | <u>PART NO.</u> | <u>DESCRIPTION</u>               | <u>QUANTITY</u> |              |
|-------------|-----------------|----------------------------------|-----------------|--------------|
|             |                 |                                  | <u>CX-2</u>     | <u>CX-10</u> |
| 1           | 8-5101          | Hinge Rod                        | 1               |              |
|             | 8-5101-5        | Hinge Rod                        |                 | 1            |
| 2           | 9-3213          | Door Switch                      | 2               | 2            |
|             | 9-3336          | Actuator Pin Complete With Clip  | 2               | 2            |
| 3           | 8-5021          | Striker                          | 2               | 2            |
|             | 8-5022          | Spacer                           | 2               | 2            |
|             | S05N-12         | Lock Washer                      | 2               | 2            |
|             | 1-89S0          | Nut, 1/2-20 UNF, Stainless Steel | 2               | 2            |
| 4           | 7582-1          | Control Decal                    | 1               |              |
|             | 7481-1          | Control Decal                    |                 | 1            |
| 5           | 4-PL04          | Pilot Light, Green               | 2               | 2            |
| 6           | 4-PL07          | Pilot Light, Red                 | 2               | 2            |
| 7           | 8-5023          | Perforated Trough                | 1               | 1            |
| **          | 8 4104-1        | Dial, 60 Minutes, 60 Hz          | 2               | 2            |
|             | 4103-1          | Dial, 60 Minutes, 50 Hz          | 2               | 2            |
|             | 4105-1          | Dial, 120 Minutes, 60 Hz         | 2               | 2            |
| 9A          | 5716-1          | Spacer - Upper                   | 2               | 2            |
| 9B          | 5717-1          | Spacer - Lower                   | 2               | 2            |
| 10          | 8-5078          | Bushing                          | 8               | 8            |
| 11          | 8-5076-9        | Door Assembly                    | 2               |              |
|             | 8-5076-8        | Door Assembly                    |                 | 2            |
| 12          | 3903-2          | Handle Assembly                  | 2               | 2            |
| *           | 4090-2          | Handle                           | 1               | 1            |
| *           | 4089-2          | Handle Plate                     | 1               | 1            |
| *           | M68S-1420-134   | Socket Screw, 1/4 - 20 x 1-3/4   | 2               | 2            |
| *           | M68S-1420-34    | Socket Screw, 1/4 - 20 x 3/4     | 1               | 1            |
| *           | 4088-1          | Spacer                           | 2               | 2            |

PARTS LIST, PRESSURELESS COOKER 6 PAN & 10 PAN UNITS, MODELS CX-2, CX-10

| <u>ITEM</u> | <u>PART NO.</u> | <u>DESCRIPTION</u> | <u>QUANTITY</u>          |              |    |
|-------------|-----------------|--------------------|--------------------------|--------------|----|
|             |                 |                    | <u>CX-2</u>              | <u>CX-10</u> |    |
| *           | 12              | S05N-14            | Lock Washer, 1/4         | 2            | 2  |
| *           |                 | 1-59S0             | Nut, 1/4 - 20            | 2            | 2  |
| *           |                 | 3646-1             | Decal                    | 2            | 2  |
|             | 13              | 8-5068-9           | Latch Assembly           | 2            | 2  |
|             | 14              | 8-5065-9           | Door Panel               | 2            |    |
|             |                 | 8-5065-8           | Door Panel               |              | 2  |
|             | 15              | 8-5063-9           | Door Gasket              | 2            |    |
|             |                 | 8-5063-8           | Door Gasket              |              | 2  |
|             | 16              | 8-5064-9           | Door Gasket Plate        | 2            |    |
|             |                 | 8-5064-8           | Door Gasket Plate        |              | 2  |
|             |                 | 9-1011-1           | Screws                   | 12           | 16 |
|             | 17              | 2681-1             | Pan Racks                | 4            |    |
|             |                 | 2681-3             | Pan Racks                |              | 4  |
|             | 18              | 6765-5             | Side Panel               | 2            |    |
|             |                 | 6765-3             | Side Panel               |              | 2  |
|             |                 | M33S-1032-12       | Screws                   | 2            | 2  |
|             | 19              | 3-BVE0             | Steam Control Valve      | 1            | 1  |
|             | 20              | 9-3029             | Steam Supply Tube        | 2            |    |
|             |                 | 9-3029-1           | Steam Supply Tube        |              | 2  |
|             | 21              | 3-H116B            | Elbow                    | 1            | 1  |
|             | 22              | 3-BM15             | Pressure Gauge           | 1            | 1  |
|             | 23              | 9-3219             | Steam Manifold           | 1            |    |
|             | 23              | 9-3219-1           | Steam Manifold           |              | 1  |
|             | 24              | 9411-1             | Pressure Switch Assembly | 1            | 1  |
|             | 25              | 3-694B             | Elbow, 1/4C x 1/4 MPT    | 1            | 1  |
|             | 26              | 9-3220             | Steam Tube, 1/4 Copper   | 1            |    |
|             |                 | 9-3220-1           | Steam Tube, 1/4 Copper   |              | 1  |
|             | 27              | 3821-1             | Buzzer                   | 1            | 1  |

PARTS LIST, PRESSURELESS COOKER 6 PAN & 10 PAN UNITS, MODELS CX-2, CX-10

| <u>ITEM</u> | <u>PART NO.</u> | <u>DESCRIPTION</u> | <u>QUANTITY</u> |              |
|-------------|-----------------|--------------------|-----------------|--------------|
|             |                 |                    | <u>CX-2</u>     | <u>CX-10</u> |
| **          | 28              | 4-T210             | 2               | 2            |
|             |                 | 9386-2             | 2               | 2            |
| *           |                 | 9109-1             | 2               | 2            |
|             | 29              | 3-698B             | 2               | 2            |
|             | 30              | 3-TS01             | 2               | 2            |
|             | 31              | 9306-1             | 2               | 2            |
|             | 32              | 3-726B             | 6               | 6            |
|             | 33              | 9-3221             | 2               | 2            |
|             | 34              | 9-3222             | 2               | 2            |
|             | 35              | 9-3295             | 4               |              |
|             |                 | 4971-1             |                 | 4            |
|             | 36              | 8391-1             |                 | 1            |
|             |                 | 8391-2             | 1               |              |
|             | 37              | 8-5081             | 2               | 2            |
|             | 38              | 9229-1             | 1               | 1            |
|             | 39              | 3502-2             | 8               | 8            |
|             | 40              | 4721-1             | 16              | 16           |
|             | 41              | 7930-1             | 1               | 1            |
| *           | 42              | 9-3296             | 2               | 2            |
| *           | 43              | 2718-1             | 1               | 1            |

\* NOT SHOWN.

\*\* SELECT AS REQUIRED.