



IMPORTANT FOR FUTURE REFERENCE

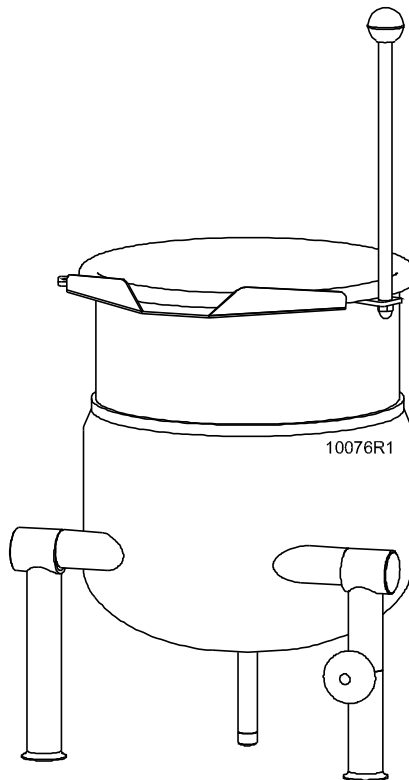
Please complete this information and retain this manual for the life of the equipment:

Model #: _____

Serial #: _____

Date Purchased: _____

PARTS LIST
Direct Steam Counter Tilting Kettles
DC-6 DC-10 DC-12 DC-20



WARNING

Improper installation, adjustment, alteration, service or maintenance can cause property damage, injury or death. Read the installation, operating and maintenance instructions thoroughly before installing or servicing this equipment.

CROWN FOOD SERVICE EQUIPMENT

 A Middleby Company

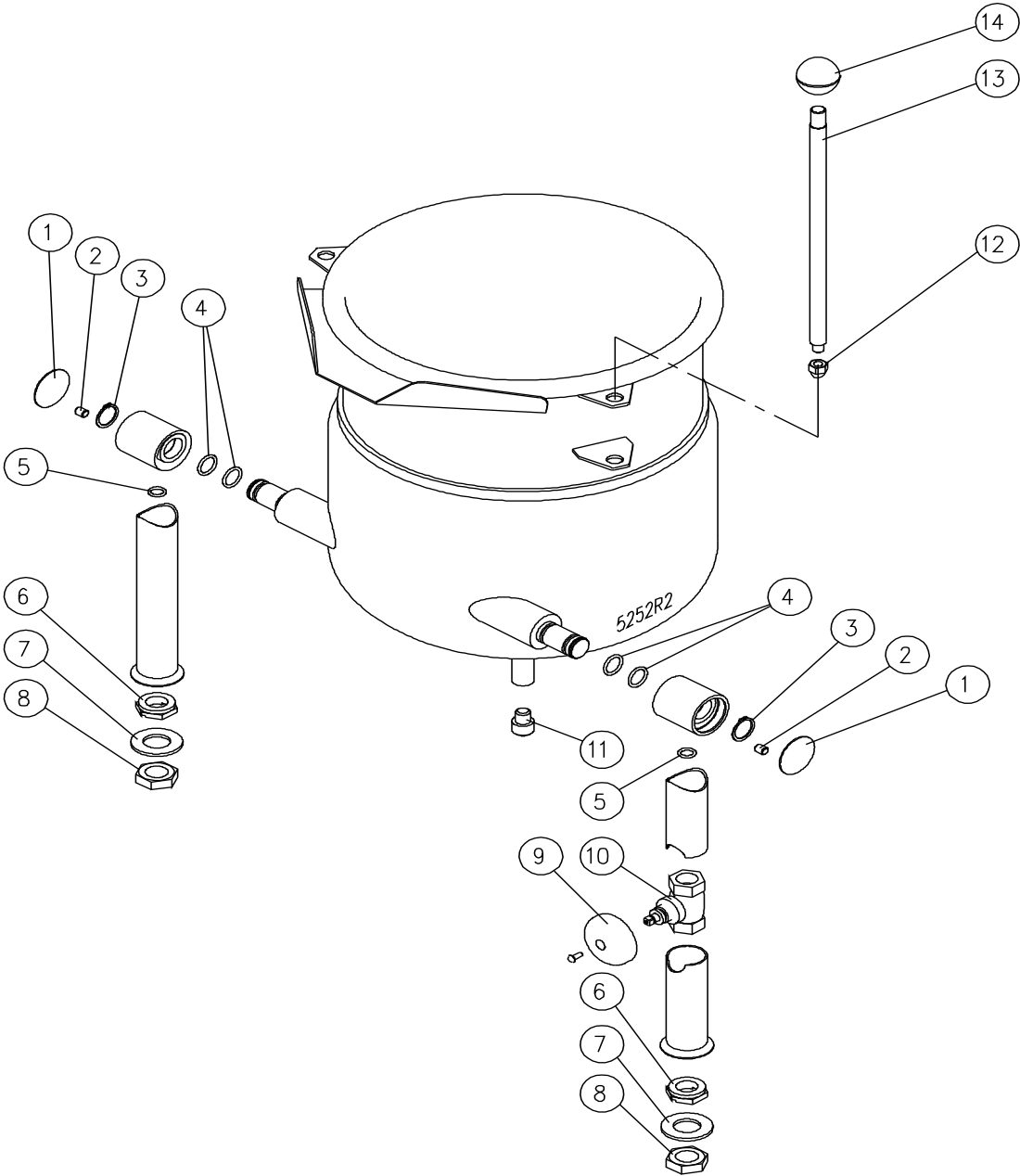
70 Oakdale Road, Downsview (Toronto) Ontario, Canada, M3N 1V9

Telephone: 919-762-1000 www.crownsteamgroup.com

Printed in Canada



PARTS LIST, DIRECT STEAM KETTLES, MODELS: DC-6, DC-10, DC-12, DC-20



PARTS LIST, DIRECT STEAM KETTLES, MODELS: DC-6, DC-10, DC-12, DC-20

| <u>ITEM</u> | <u>PART NUMBER</u> | <u>DESCRIPTION</u> | <u>QUANTITY</u> | |
|-------------|------------------------|----------------------------|--|---|
| 1. | 3819-1 | Trunnion Cap | 2 | |
| 2. | 9061-9 | Set Screw, 5/16 -18 x 3/8" | 2 | |
| 3. | 9047-87 | Retaining Clip | 2 | |
| 4. | 2-115R | "O" Ring | 4 | |
| 5. | 2-014R | "O" Ring | 2 | |
| 6. | 3796-1 | Brass Nut, 1/2 - 14" | 2 | |
| 7. | 2-W0C7 | Washer | 2 | |
| 8. | 3-D034 | Nut, 1/2 - 14 NPS | 2 | |
| 9. | 3-SC06 | Knob | 1 | |
| 10. | 3-SC11 | Valve | 1 | |
| 11. | 3520-1 | Nylon Foot | 1 | |
| 12. | 9031-7 | Acorn Nut 3/8 - 16 | 1 | |
| ** | 13. | 3589-1 | Handle, 6 - 12 Gallon | 1 |
| | | 5280-1 | Handle, 20 Gallon | 1 |
| | 14. | 2-KB01 | Knob | 1 |
| ** | 15. | 3799-1 | Condensate Leg Assembly, 6 Gallon | 1 |
| | | 3799-2 | Condensate Leg Assembly, 10, 12 Gallon | 1 |
| | | 6319-1 | Condensate Leg Assembly, 20 Gallon | 1 |
| ** | 16. | 3800-1 | Steam In Leg Assembly, 6 Gallon | 1 |
| | | 3800-2 | Steam In Leg Assembly, 10, 12 Gallon | 1 |
| | | 6320-1 | Steam In Leg Assembly, 20 Gallon | 1 |
| * | 17. | 9085-1 | "O" Ring Lube, 2 Grams | 1 |

* NOT SHOWN.

** SELECT AS REQUIRED.