



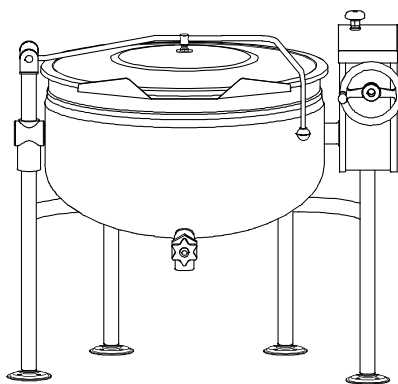
IMPORTANT FOR FUTURE REFERENCE
Please complete this information and retain this manual for the life of the equipment:

Model #: _____
Serial #: _____
Date Purchased: _____

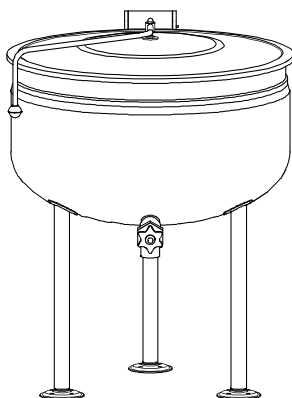
PARTS LIST

Full Jacket Direct Steam Kettles

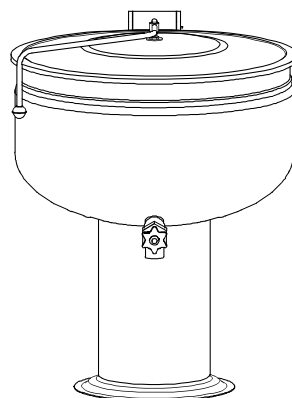
DL-20F DL-30F DL-40F DL-60F
DP-20F DP-30F DP-40F DP-60F
DLT-20F DLT-30F DLT-40F DLT-60F



DLT-F



DL-F




DP-F



WARNING

Improper installation, adjustment, alteration, service or maintenance can cause property damage, injury or death. Read the installation, operating and maintenance instructions thoroughly before installing or servicing this equipment.

CROWN FOOD SERVICE EQUIPMENT

 A Middleby Company

70 Oakdale Road, Downsview (Toronto) Ontario, Canada, M3N 1V9

Telephone: 919-762-1000

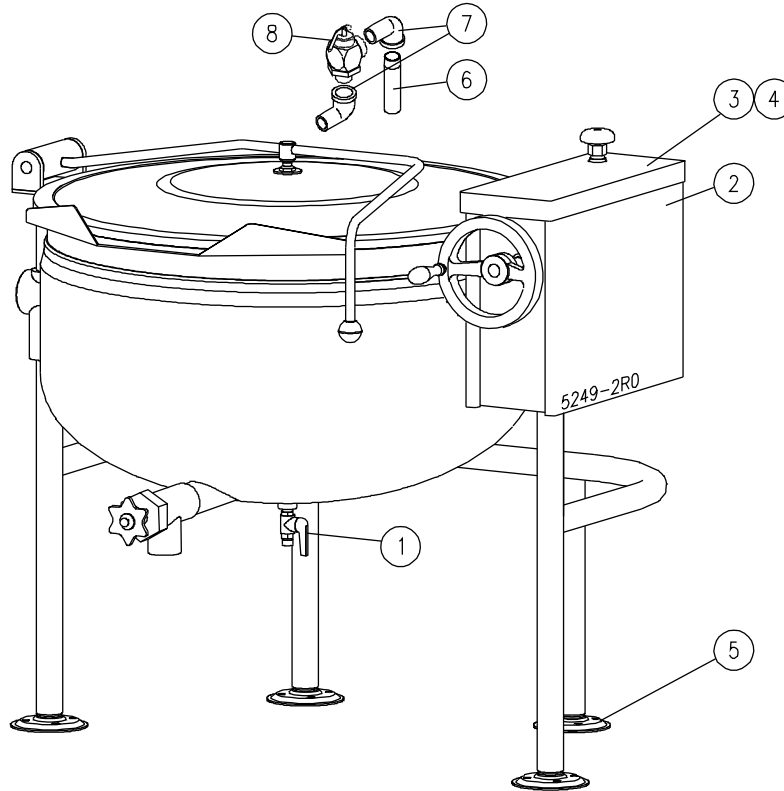
www.crownsteamgroup.com

Printed in Canada



PARTS LIST, FULL JACKET DIRECT STEAM STATIONARY KETTLES,
 MODELS: DL-20F TO 60F, DP-20F TO 60F, DLT-20F TO 60F

FIGURE 1



<u>ITEM</u>	<u>PART NUMBER</u>	<u>DESCRIPTION</u>	<u>QUANTITY</u>
1.	9189-1	Ball Valve	1
2.	2960-2	Tilt Console	1
3.	3011-1	Console Cover	1
4.	M33S-1032-12	Screw 10 32 x 1/2	1
5.	3223-1	Adjustable Foot	3
6.	5184-1	Down Tube for Relief Valve	1
7.	9012-4P	Street Elbow, 3/4 NPT	2
**	8. 3-SRV8-1	Relief Valve, 35 PSI	1
	3-SRV9-1	Relief Valve, 50 PSI (Optional)	1

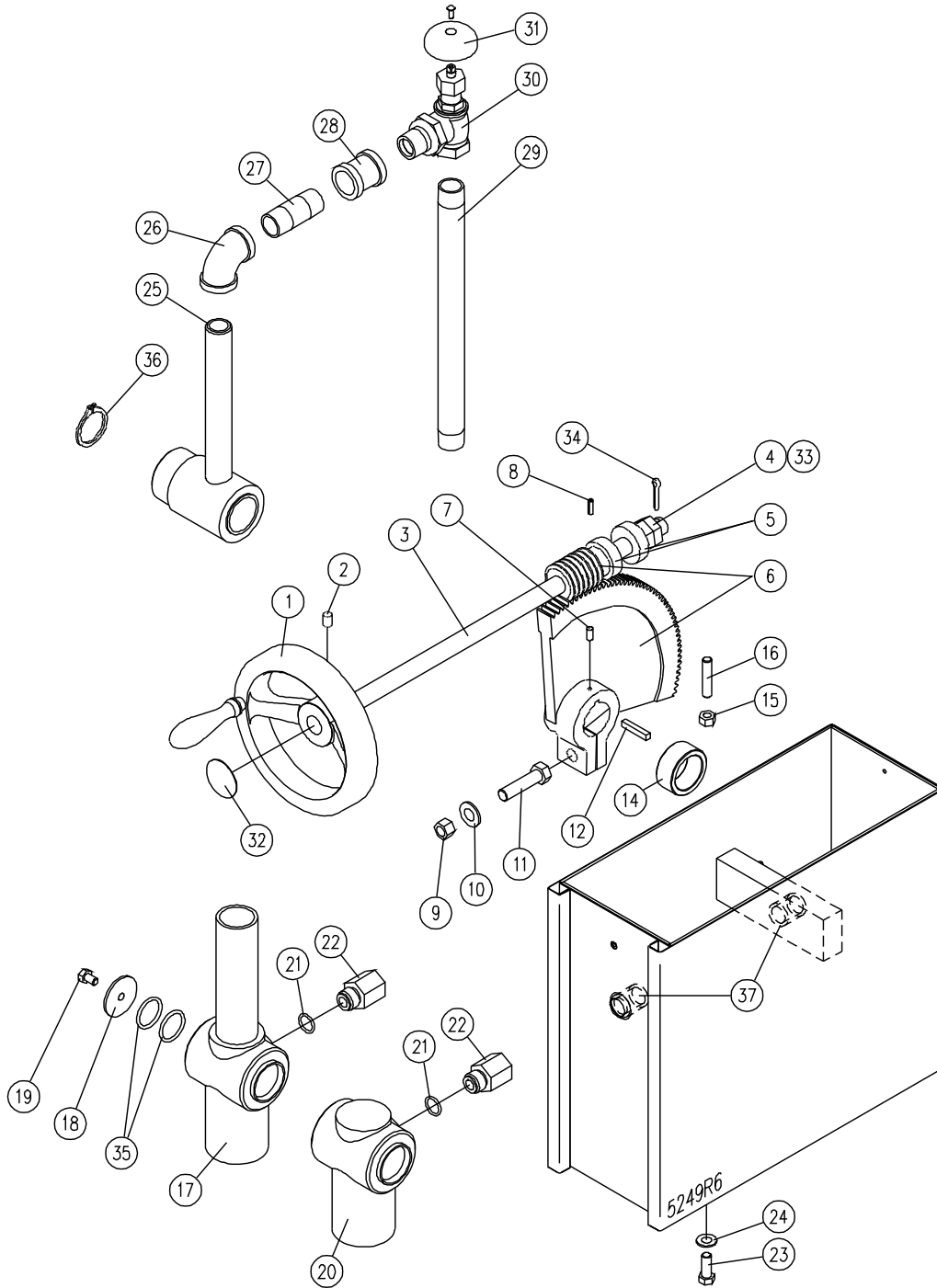
* NOT SHOWN.

** SELECT AS REQUIRED.

PARTS LIST, FULL JACKET DIRECT STEAM STATIONARY KETTLES,
MODELS: DL-20F TO 60F, DP-20F TO 60F, DLT-20F TO 60F

TILT CONSOLE PARTS

FIGURE 2



PARTS LIST, FULL JACKET DIRECT STEAM STATIONARY KETTLES,
 MODELS: DL-20F TO 60F, DP-20F TO 60F, DLT-20F TO 60F

FIGURE 2

<u>ITEM</u>	<u>PART NUMBER</u>	<u>DESCRIPTION</u>	<u>QUANTITY</u>
1.	8-2054	Handwheel	1
2.	9061-5	Set Screw	1
3.	6738-2	Tilt Shaft	1
4.	9029-22	Jam Nut, 3/4 - 16 UNF	2
5.	5327-1	Thrust Bearing	2
6.	5393-1	Segment Gear and Worm Gear Kit (Includes Items 7 to 12)	1
7.	9061-4	Set Screw, 1/4 - 20 x 1/2"	1
8.	9032-7	Tension Pin	1
9.	9029-5	Hex Nut, 1/2 - 13 UNC	1
10.	S01X-12	Lock Washer, 1/2"	1
11.	9302-5	Hex Cap Screw	1
12.	6321-1	Square Key	1
* 13.	9085-1	"O" Ring Lubrication	1
14.	4312-1	Spacer	1
15.	9029-3	Hex Nut, 3/8 - 16 UNC	1
16.	9061-6	Set Screw	1
17.	8-2085DE	Outbore Bearing Complete With Extension. Used on Spring Assist Cover only. Specify model.	1
18.	9-3197	Stainless Steel Washer	1
19.	M50S-51618-12	Hex HD Screw	1
20.	8-2085D	Outbore Bearing	1
21.	2-113R	"O" Ring	1
22.	9-3196	Brass Fitting	1

PARTS LIST, FULL JACKET DIRECT STEAM STATIONARY KETTLES,
 MODELS: DL-20F TO 60F, DP-20F TO 60F, DLT-20F TO 60F

FIGURE 2

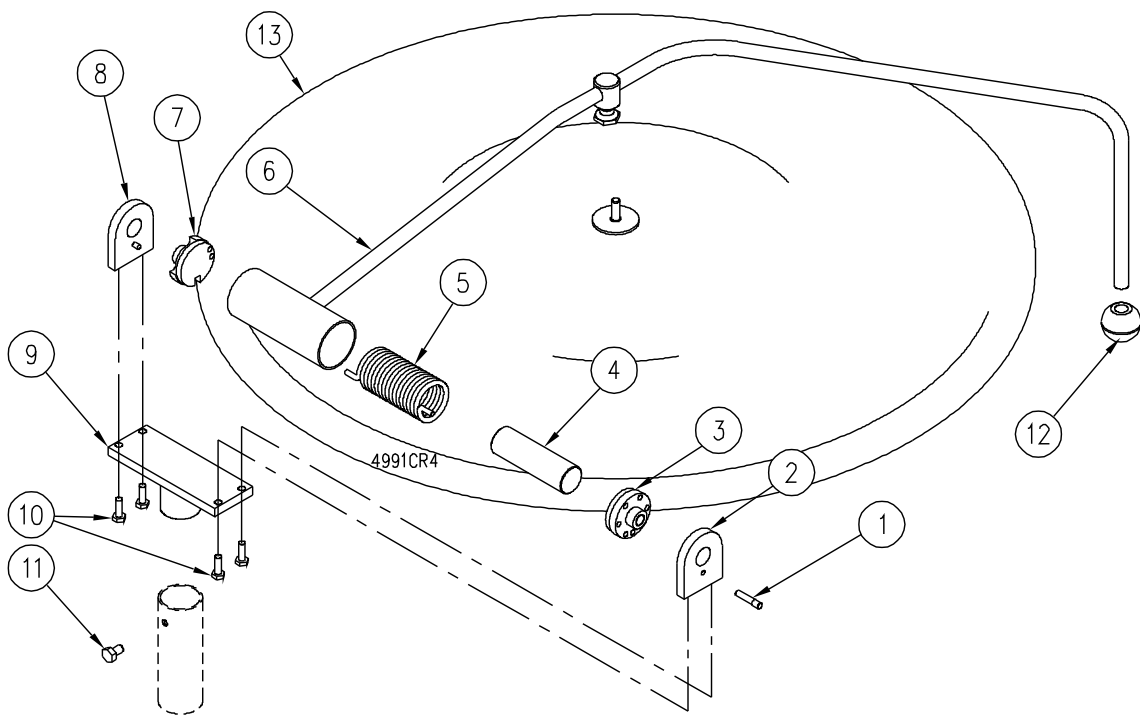
<u>ITEM</u>	<u>PART NUMBER</u>	<u>DESCRIPTION</u>	<u>QUANTITY</u>
23.	M50X-3816-1	Hex HD Screw	4
24.	S01X-38	Lock Washer	4
25.	8-2086	Block Bearing	1
26.	9011-4	90° Elbow, 3/4"	1
27.	9010-024	Nipple, 3/4 x 2-1/2" L.	1
28.	9042-4	Coupling, 3/4"	1
29.	9010-124	Pipe, Steam Supply, 3/4 x 12-1/2" L.	1
30.	3-SCE6	Control Valve, 3/4"	1
31.	3-SC06	Control Valve Knob	1
32.	5341-1	Decal - Tilt	1
33.	5328-1	Washer, 3/4 ID x 1-1/4 OD	1
34.	5329-1	Cotter Pin, S.S., 3/16 x 1" L.	1
35.	2-218R	"O" Ring	4
36.	1-R315	Retaining Ring	1
37.	3466-1	Bearing, Tilt Shaft	2

* NOT SHOWN

PARTS LIST, FULL JACKET DIRECT STEAM STATIONARY KETTLES,
MODELS: DL-20F TO 60F, DP-20F TO 60F, DLT-20F TO 60F

SPRING ASSIST HINGE ASSEMBLY

FIGURE 3



PARTS LIST, FULL JACKET DIRECT STEAM STATIONARY KETTLES,
 MODELS: DL-20F TO 60F, DP-20F TO 60F, DLT-20F TO 60F

FROM FIGURE 3

<u>ITEM</u>	<u>PART NUMBER</u>	<u>DESCRIPTION</u>	<u>QUANTITY</u>
	9-3185	HINGE ASSEMBLY	
1.	8-2029	Lock Pin	1
2.	8-2035L	End Lock Plate	1
3.	5428-1	Stationary Disc	1
	5430-1	Core	1
5.	8-2026	Spring	1
** 6.	4990-17	DL-20F, DP-20F, Handle Assembly, 20 Gallon Kettle	1
	4990-18	DLT-20F, Handle Assembly, 20 Gallon Kettle	1
	4990-19	DL-30F, DP-30F, Handle Assembly, 30 Gallon Kettle	1
	4990-20	DLT-30F, Handle Assembly, 30 Gallon Kettle	1
	4990-21	DL-40F, DP-40F, Handle Assembly, 40 Gallon Kettle	1
	4990-22	DLT-40F, Handle Assembly, 40 Gallon Kettle	1
	4990-23	DL-60F, DP-60F Handle Assembly, 60 Gallon Kettle	1
	4990-24	DLT-60F Handle Assembly, 60 Gallon Kettle	1
7.	5429-1	Rotary Disc	1
8.	8-2021	End Stop Plate	1
9.	4261-2	Mounting Plate - DLT Only	1
10.	M50S-1420-34	Hex HD Screw, 1/4 - 20 x 3/4 Stainless Steel	4
11.	M50S-51618-12	Hex HD Screw	1

PARTS LIST, FULL JACKET DIRECT STEAM STATIONARY KETTLES,
MODELS: DL-20F TO 60F, DP-20F TO 60F, DLT-20F TO 60F

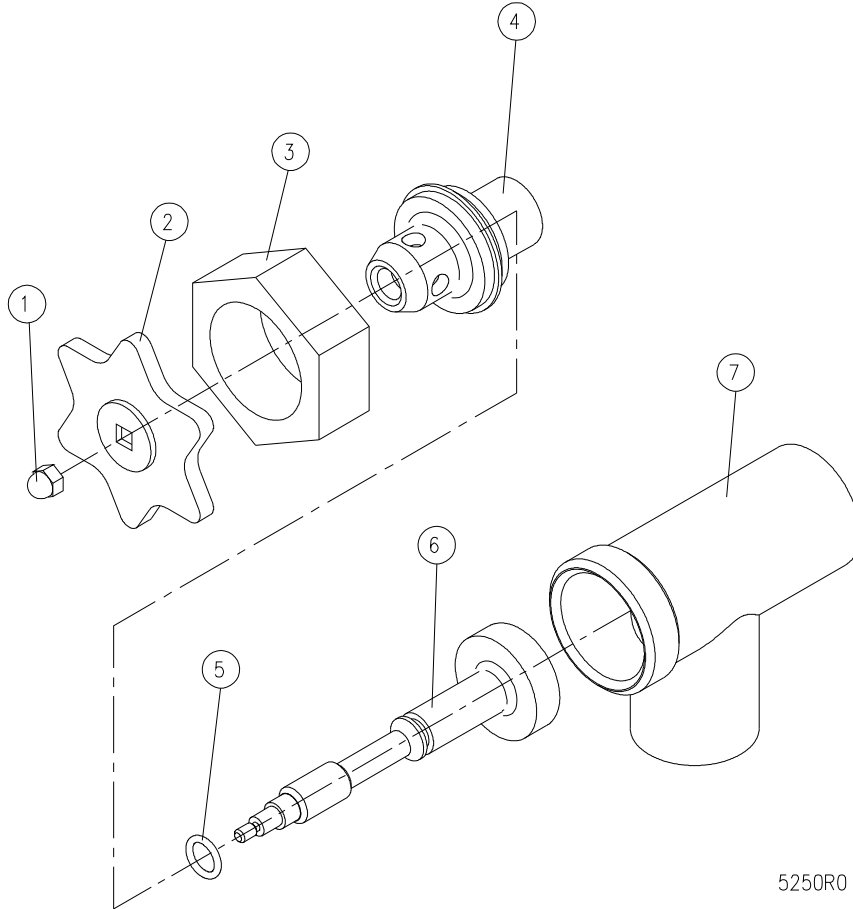
<u>ITEM</u>	<u>PART NUMBER</u>	<u>DESCRIPTION</u>	<u>QUANTITY</u>
12.	2-KB01	Knob	1
** 13.	8-2005	Cover, 20 Gallon Kettle	1
	8-2006	Cover, 30 Gallon Kettle	1
	8-2007	Cover, 40 Gallon Kettle	1
	8-2008	Cover, 60 Gallon Kettle	1

** SELECT AS REQUIRED.

PARTS LIST, FULL JACKET DIRECT STEAM STATIONARY KETTLES,
 MODELS: DL-20F TO 60F, DP-20F TO 60F, DLT-20F TO 60F

DRAW-OFF VALVE

FIGURE 4



<u>ITEM</u>	<u>PART NUMBER</u>	<u>DESCRIPTION</u>	<u>QUANTITY</u>
	3-D015	1-1/2" DRAW OFF VALVE ASSEMBLY	
1.	9031-3	Acorn Nut, 10-24 UNC	1
2.	4115-1	Handle, Stainless Steel	1
3.	3-DV13	Gland Nut	1
4.	3-DV14	Bonnet	1
5.	3-DV16	"O" Ring	1
6.	3-DV15RV	Stem Assembly	1
7.	3-DV17	Valve Body	1

PARTS LIST, FULL JACKET DIRECT STEAM STATIONARY KETTLES,
 MODELS: DL-20F TO 60F, DP-20F TO 60F, DLT-20F TO 60F

<u>ITEM</u>	<u>PART NUMBER</u>	<u>DESCRIPTION</u>	<u>QUANTITY</u>
	3-D020	2" DRAW OFF VALVE ASSEMBLY	
1.	9031-3	Acorn Nut, 10-24 UNC	1
2.	4115-1	Handle, Stainless Steel	1
3.	3-DV23	Gland Nut	1
4.	3-DV24	Bonnet	1
5.	3-DV26	"O" Ring	1
6.	3-DV25RV	Stem Assembly	1
7.	3-DV27	Valve Body	1

<u>ITEM</u>	<u>PART NUMBER</u>	<u>DESCRIPTION</u>	<u>QUANTITY</u>
	3-D030	3" DRAW OFF VALVE ASSEMBLY	
1.	3-DV31	Acorn Nut, 7/16-14 UNC	1
2.	3-DV32	Handle, Stainless Steel	1
3.	3-DV33	Gland Nut	1
4.	3-DV34	Bonnet	1
5.	3-DV36	"O" Ring	1
6.	3-DV35RV	Stem Assembly	1
7.	3-DV37	Valve Body	1