

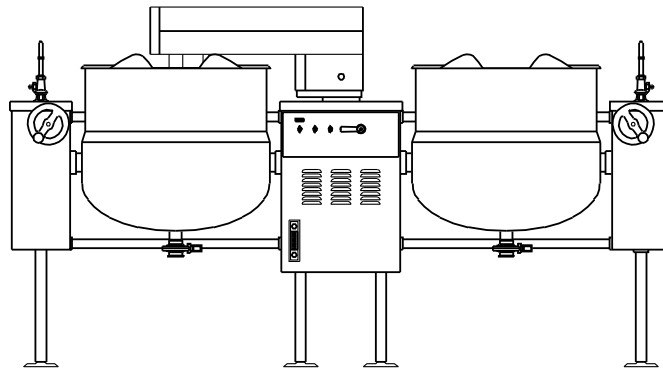
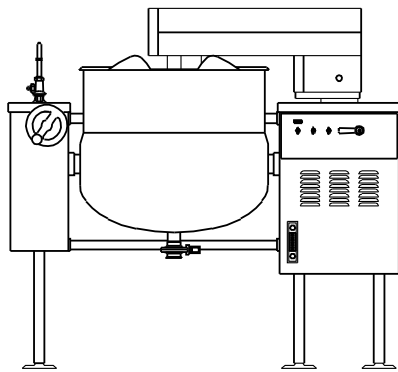


**IMPORTANT FOR FUTURE REFERENCE**  
 Please complete this information and retain this manual for the life of the equipment:

Model #: \_\_\_\_\_  
 Serial #: \_\_\_\_\_  
 Date Purchased: \_\_\_\_\_

## PARTS LIST


8 ]f YW iGH YUa `G]b[ `Y`UbX`Hk ]b`A]l Yf`? Yh`Yg`  
 `8 @HA!(\$!fBL`8 @HA!\*\$!fBL`8 @HA!,\$!fBL`8 @HA!%\$\$!fBL`



**⚠ WARNING**

Improper installation, adjustment, alteration, service or maintenance can cause property damage, injury or death. Read the installation, operating and maintenance instructions thoroughly before installing or servicing this equipment.

**CROWN FOOD SERVICE EQUIPMENT**

 A Middleby Company

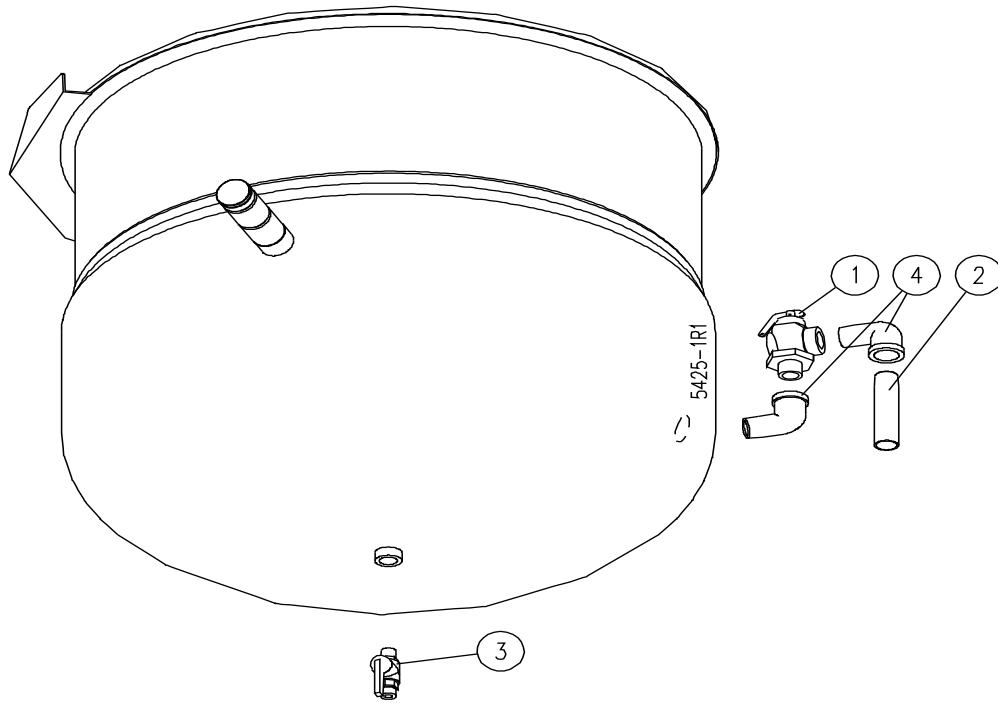
70 Oakdale Road, Downsview (Toronto) Ontario, Canada, M3N 1V9  
 Telephone: 919-762-1000      www.crownsteamgroup.com

Printed in Canada



PARTS LIST, DIRECT STEAM LEG-MOUNTED TILTING MIXER KETTLES,  
 MODELS: DLTM-40 TO DLTM-100, DLTM-40-2 TO DLTM-100-2

**FIGURE 1**



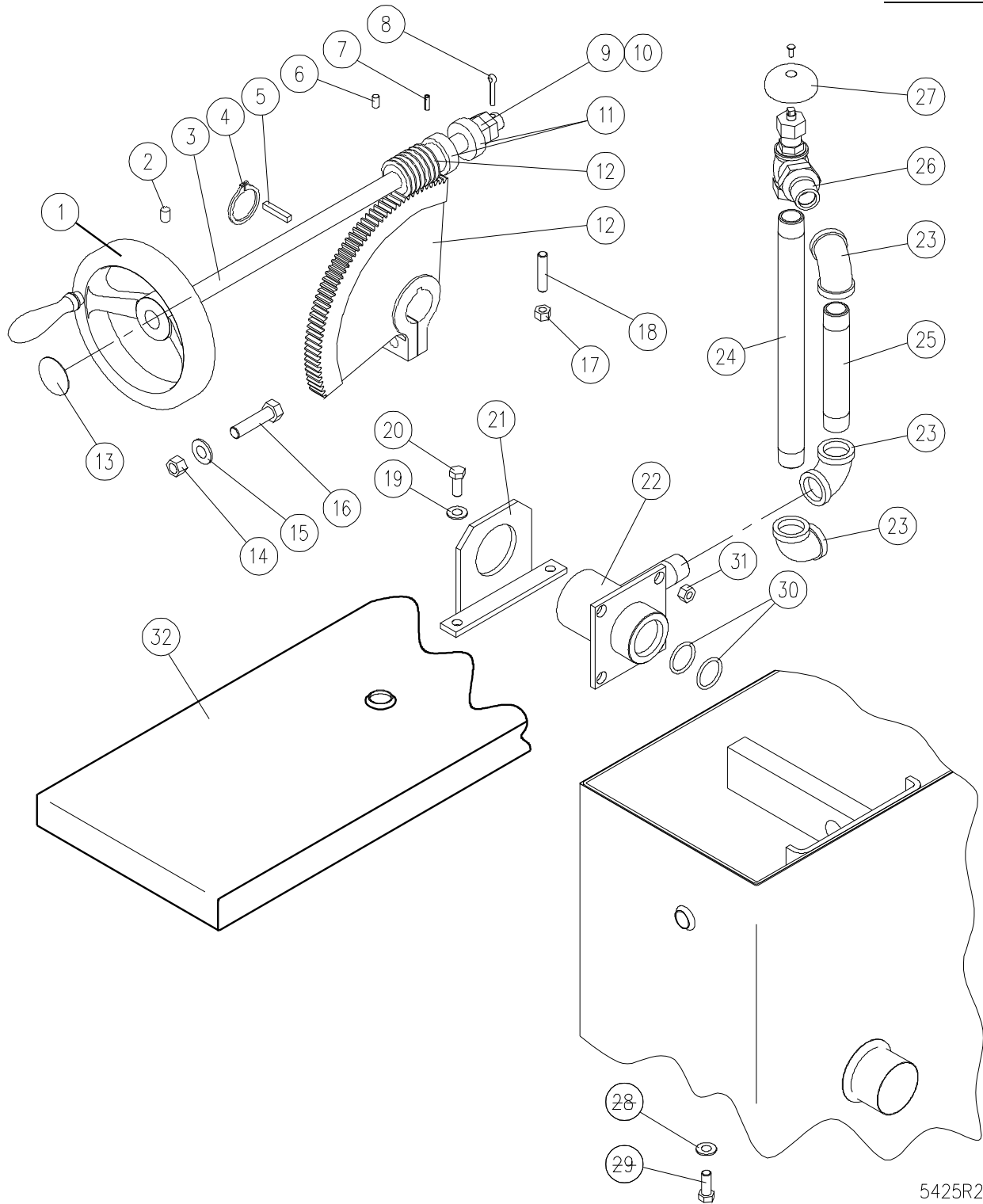
**FIGURE 1**

<u>ITEM</u>	<u>PART NUMBER</u>	<u>DESCRIPTION</u>	<u>QUANTITY</u>	
** 1.	3-SRV8-1	Relief Valve, 35 PSI	1	
	3-SRV9-1	Relief Valve, 50 PSI	1	Optional
2.	5184-1	Down Tube	1	
3.	9189-1	Ball Valve	1	
4.	9012-4P	Street Elbow, 90°	2	

\*\* SELECT AS REQUIRED.

PARTS LIST, DIRECT STEAM LEG-MOUNTED TILTING MIXER KETTLES,  
 MODELS: DLTM-40 TO DLTM-100, DLTM-40-2 TO DLTM-100-2

**FIGURE 2**



5425R2

PARTS LIST, DIRECT STEAM LEG-MOUNTED TILTING MIXER KETTLES,  
 MODELS: DLTM-40 TO DLTM-100, DLTM-40-2 TO DLTM-100-2

**FIGURE 2**

<u>ITEM</u>	<u>PART NO.</u>	<u>DESCRIPTION</u>	<u>QUANTITY</u>
1.	8-2054	Hand Wheel	1
2.	9061-5	Set Screw, 3/8 - 16 x 1/2"	1
3.	6738-2	Tilt Shaft	1
4.	1-R315	Retaining Ring	1
5.	6321-1	Key, 1/4" x 1-3/8"	1
6.	9061-4	Set Screw, 1/4 - 20 x 1/2"	1
7.	9032-7	Tension Pin, 3/16" D x 1-1/4" Long	1
8.	5329-1	Cotter Pin, Stainless Steel, 3/16 x 1"	1
9.	9029-22	Jam Nut	2
10.	5328-1	Washer, 3/4" Inside Diameter x 1-1/4" Outside Diameter	1
11.	5327-1	Thrust Bearing	2
12.	5393-1	Segment Gear and Worm Gear (Includes Items 4, 5, 13 to 17)	1
13.	5608-2	Decal - Tilt	1
14.	9029-5	Nut, 1/2 - 13	1
15.	S01X-12	Lock Washer, 1/2"	1
16.	9302-5	Hex Cap Screw, 1/2 - 13 x 2"	1
17.	9029-3	Nut, 3/8 - 16	1
18.	9061-6	Set Screw, 3/8 - 16 x 1-3/4"	1
19.	S05N-38	Lock Washer, 3/8"	6
20.	M50S-3816-114	Hex HD Screw, 3/8 - 16 x 1-1/4"	2
21.	5731-1	Trunnion Housing Support	1
22.	8-2088	Trunnion Housing Assembly (4010)	1
23.	9011-4	Elbow, 3/4 x 90"	3

PARTS LIST, DIRECT STEAM LEG-MOUNTED TILTING MIXER KETTLES,  
 MODELS: DLTM-40 TO DLTM-100, DLTM-40-2 TO DLTM-100-2

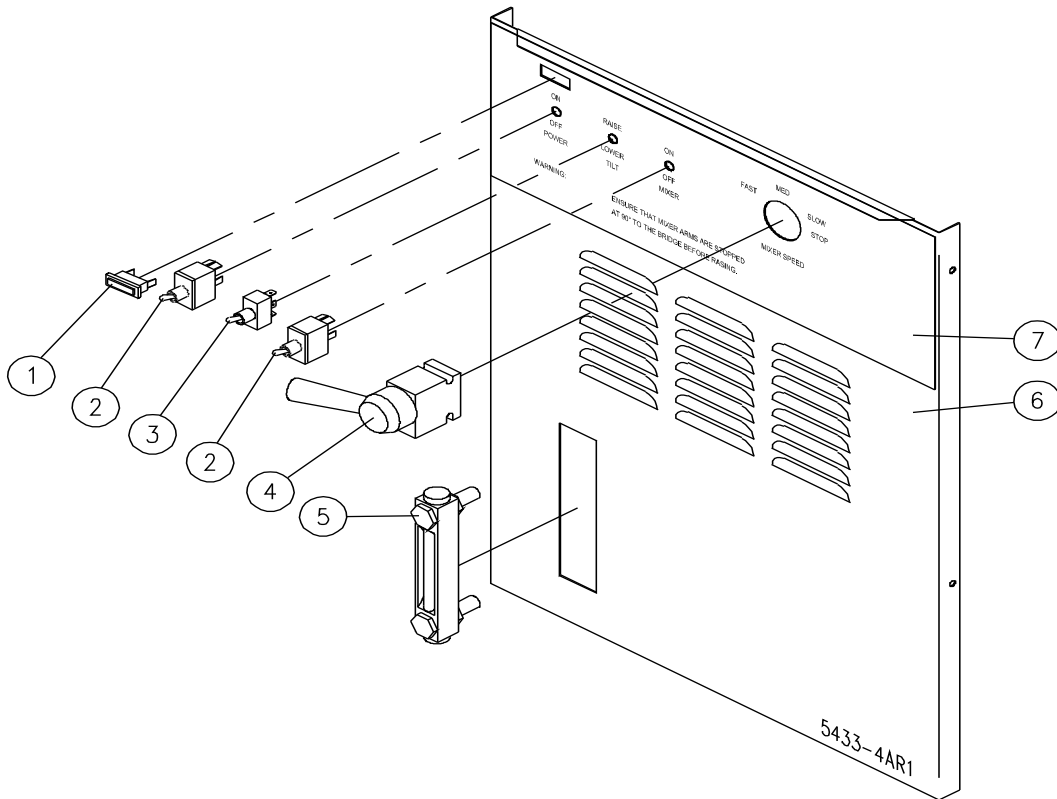
<u>ITEM</u>	<u>PART NO.</u>	<u>DESCRIPTION</u>	<u>QUANTITY</u>
24.	9010-120	Nipple, 3/4 x 12"	1
** 25.	9010-056	Nipple, 3/4 x 5-3/4" (40 Gallon)	1
	9010-070	Nipple, 3/4 x 7" (60 Gallon)	1
	9010-080	Nipple, 3/4 x 8" (80 Gallon)	1
	9010-090	Nipple, 3/4 x 9" (100 Gallon)	1
26.	3-SCE6	Steam Valve complete with Knob	1
27.	3-SC06	Steam Valve Knob	1
28.	S01X-38	Lock Washer, 3/8"	4
29.	M50X-3816-1	Hex HD Screw, Bolt, 3/8 - 16 x 1"	4
30.	2-218R	"O" Ring	2
31.	9030-3	Hex Nut, 3/8 - 16" Stainless Steel	4
** 32.	2905-2	Console Cover	1
	2910-2	Console Cover - Faucet Mounting	1

\*\* SELECT AS REQUIRED.

PARTS LIST, DIRECT STEAM LEG-MOUNTED TILTING MIXER KETTLES,  
 MODELS: DLTM-40 TO DLTM-100, DLTM-40-2 TO DLTM-100-2

**FIGURE 3**

**MIXER CONSOLE CONTROL PANEL**



PARTS LIST, DIRECT STEAM LEG-MOUNTED TILTING MIXER KETTLES,  
 MODELS: DLTM-40 TO DLTM-100, DLTM-40-2 TO DLTM-100-2

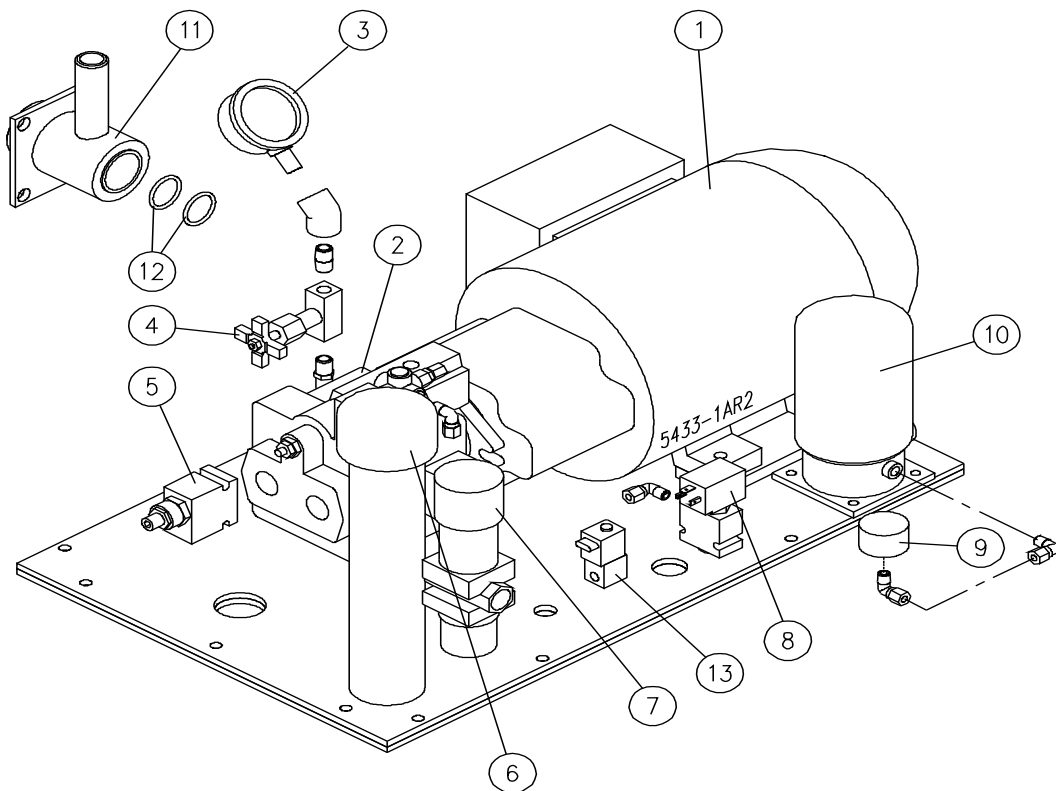
**FIGURE 3**

<u>ITEM</u>	<u>PART NO.</u>	<u>DESCRIPTION</u>	<u>QUANTITY</u>			
			<u>40</u>	<u>60</u>	<u>80</u>	<u>100</u>
1.	4-PL08	Pilot Light	1	1	1	1
2.	9110-1	Power Switch	2	2	2	2
3.	9111-1	Bridge Switch	1	1	1	1
4.	9-3116	Speed Control Valve	1	1	1	1
5.	3872-1	Sight Glass Gauge	1	1	1	1
6.	7186-1	Front Console Cover	1	1	1	1
7.	2342-3	Control Label, Black	1	1	1	1
* 8.	2902-1	Back Console Cover	1	1	1	1
* 9.	7172-1	Front Top Console Cover	1			
	7172-2	Front Top Console Cover		1		
	7172-3	Front Top Console Cover			1	
	7172-4	Front Top Console Cover				1
* 10.	7172-9	Back Top Console Cover	1			
	7172-10	Back Top Console Cover		1		
	7172-11	Back Top Console Cover			1	
	7172-12	Back Top Console Cover				1
* 11.	7172-19	Center Console Cover Assembly	1	1	1	1
* 12.	8-1308	Flanged Adjustable Feet	4	4	4	4
* 13.	2391-1	Trunnion Housing Assembly	1 on Single		2 on Twin	

\* NOT SHOWN.

PARTS LIST, DIRECT STEAM LEG-MOUNTED TILTING MIXER KETTLES,  
MODELS: DLTM-40 TO DLTM-100, DLTM-40-2 TO DLTM-100-2

**FIGURE 4**



PARTS LIST, DIRECT STEAM LEG-MOUNTED TILTING MIXER KETTLES,  
 MODELS: DLTM-40 TO DLTM-100, DLTM-40-2 TO DLTM-100-2

**FIGURE 4**

<u>ITEM</u>	<u>PART NO.</u>	<u>DESCRIPTION</u>	<u>QUANTITY</u>
**	1.	9-3121 Motor, 208-230/460V, 3/60 Hz	1
		9-3121-2 Motor, 220-380/415V, 3/50 Hz	1
		9-3121-5 Motor, 550V, 3/60 Hz	1
	2.	9-3123 Piston Pump	1
*		5354-1 Motor Half Coupling	1
*		9-3122 Pump Half Coupling	1
*		5355-1 Insert Coupling	1
	3.	9-3126 Pressure Gauge, 0-3000 PSI	1
	4.	9-3125 Needle Valve	1
	5.	9-3124 Trim Relief Valve	1
	6.	9-3119 Filter Breather	1
	7.	5444-1 Thermostatic Cooling Valve	1
	8.	3906-1 Dump Valve	1
*		3906-2 Coil, 120V, 25W	1
	9.	5434-1 Return Filter Indicator	1
	10.	9-3120 Return Filter	1
	11.	4011-1 Condensate Trunnion Housing	1 (Two on Twin)
	12.	2-218R "O" Ring	2
	13.	5162-1 Solenoid Valve	1
	14.	Cassida "FM Hydraulic Oil 32" or Equivalent, Tank Capacity: 20.71 U.S. Gallons, Fluid Level: 13.62 U.S. Gallons	1

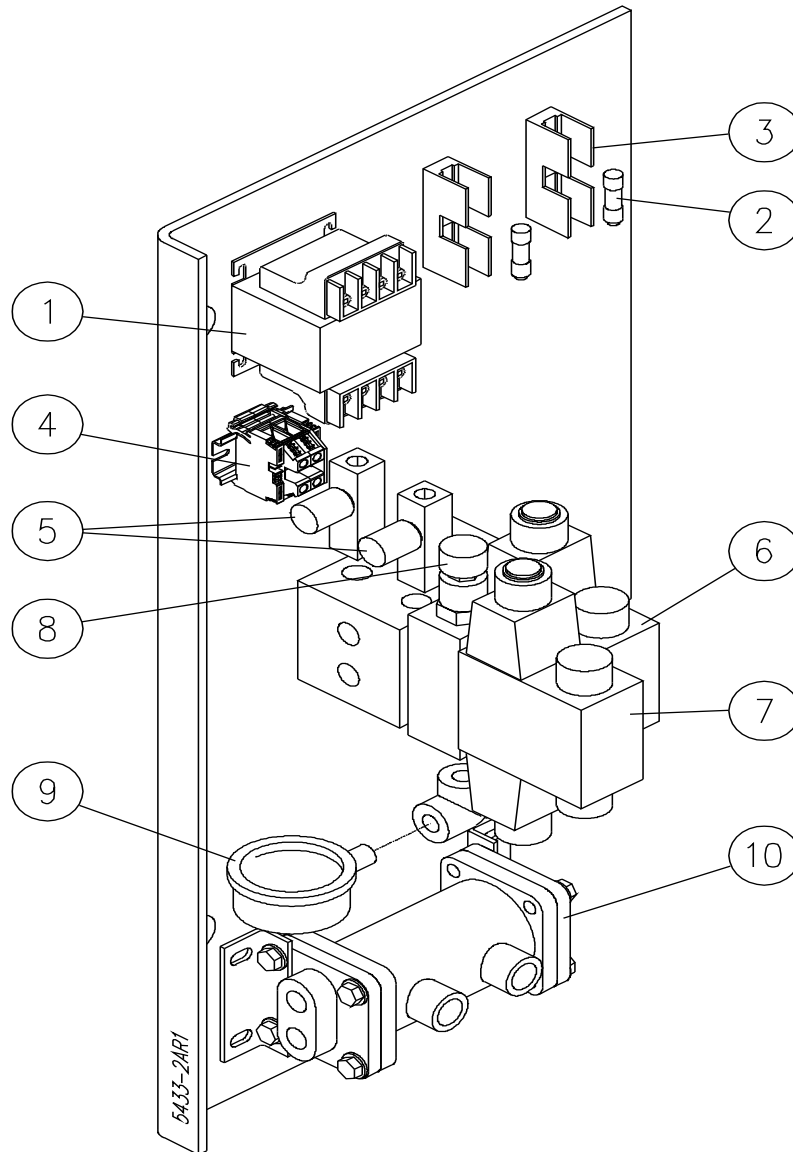
\* NOT SHOWN.

\*\* SELECT AS REQUIRED.

PARTS LIST, DIRECT STEAM LEG-MOUNTED TILTING MIXER KETTLES,  
MODELS: DLTM-40 TO DLTM-100, DLTM-40-2 TO DLTM-100-2

**FIGURE 5**

**HYDRAULIC AND ELECTRICAL COMPONENTS**



PARTS LIST, DIRECT STEAM LEG-MOUNTED TILTING MIXER KETTLES,  
 MODELS: DLTM-40 TO DLTM-100, DLTM-40-2 TO DLTM-100-2

**FIGURE 5**

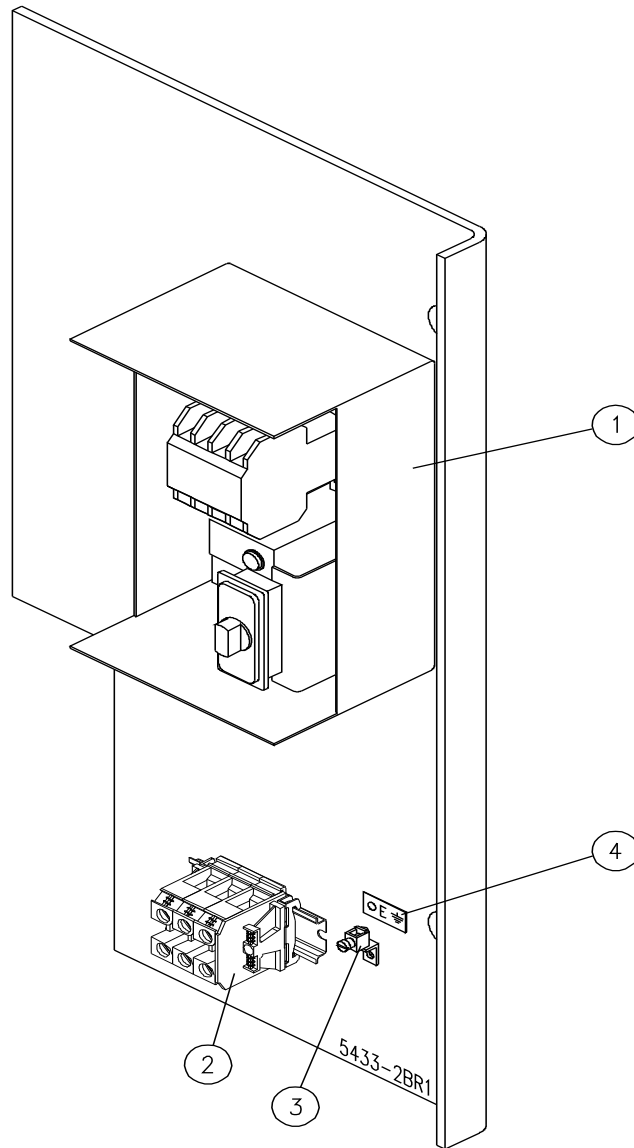
<u>ITEM</u>	<u>PART NO.</u>	<u>DESCRIPTION</u>	<u>QUANTITY</u>	
**	1.	4-T256	Transformer, 200VA, 208V	1
		4-T253	Transformer, 200VA, 220-240V, 480V	1
		4694-200	Transformer, 200VA, 600V	1
	2.	9001-3	Fuse, 1 Amp., 600V	4
	3.	9002-1	Fuse Block	4
**	4.	9390-2	Terminal Block Assembly, 2 Pole	1
			Includes the following parts:	
		9391-1	Modular Terminal	2
		9392-1	End Plate	1
		9393-1	End Clamp	2
		9394-053	Mounting Rail	1
	5.	5359-1	Flow Control	2
	6.	9251-1	Control Valve (Motors)	1
*		9118-1	Coil, 110/120 VAC, 50/60 Hz	1
		9304-12	Bolt Kit	1
	7.	9252-1	Directional Control Valve (Bridge)	1
*		9118-1	Coil, 110/120 VAC, 50/60 Hz	2
		9304-27	Bolt Kit	1
	8.	5356-1	Pressure Reducer (Bridge)	1
	9.	5358-1	Pressure Gauge, 0-1000 PSI	1
	10.	5350-1	Oil Cooler	1

\* NOT SHOWN.

\*\* SELECT AS REQUIRED.

PARTS LIST, DIRECT STEAM LEG-MOUNTED TILTING MIXER KETTLES,  
MODELS: DLTM-40 TO DLTM-100, DLTM-40-2 TO DLTM-100-2

**FIGURE 6**



PARTS LIST, DIRECT STEAM LEG-MOUNTED TILTING MIXER KETTLES,  
 MODELS: DLTM-40 TO DLTM-100, DLTM-40-2 TO DLTM-100-2

<u>ITEM</u>	<u>PART NO.</u>	<u>DESCRIPTION</u>	<u>QUANTITY</u>
** 1.	3030-1	Starter Box Assembly (208V)	1
	4785-1	Contactactor	1
	4786-1	Overload (12-17A)	1
	4789-1	Switch	1
	3030-2	Starter Box Assembly (240V)	1
	4785-1	Contactactor	1
	4786-2	Overload (8.5 - 12.5A)	1
	4789-1	Switch	1
	3030-3	Starter Box Assembly (380V, 415V)	1
	4785-3	Contactactor	1
	4786-3	Overload (6-9A)	1
	4789-1	Switch	1
	3030-5	Starter Box Assembly (480V, 600V)	1
	9165-1	Contactactor	1
	9166-1	Overload (4-6A)	1
	4789-1	Switch	1
** 2.	6161-3	Modular Terminal Assembly, 3 Pole Includes the following parts:	1
	9374-1	Modular Terminal, Grey	3
	9375-1	End Plate	1
	9369-1	End Clamp	2
	9368-079	Mounting Rail, 79 mm	1

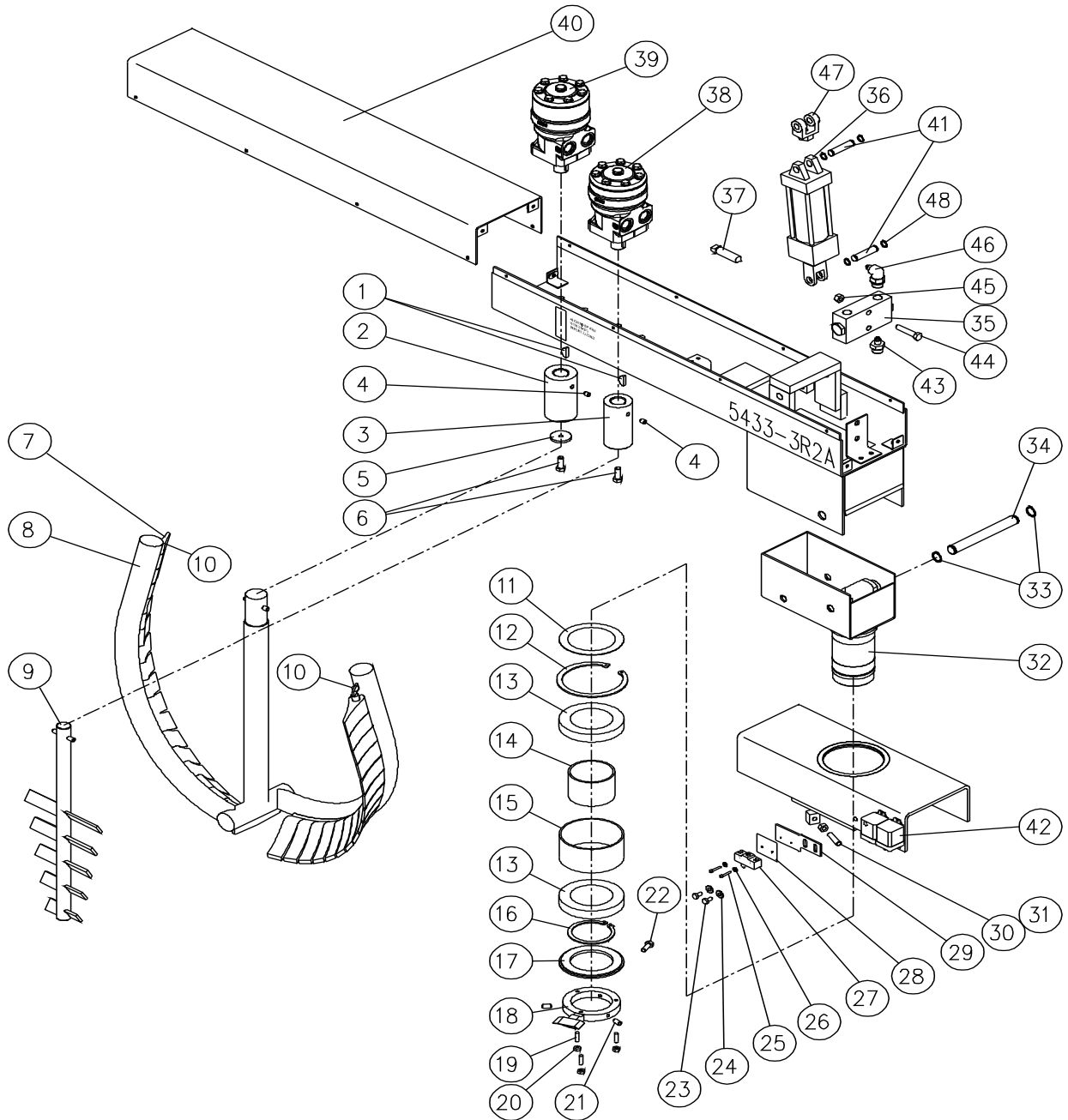
PARTS LIST, DIRECT STEAM LEG-MOUNTED TILTING MIXER KETTLES,  
 MODELS: DLTM-40 TO DLTM-100, DLTM-40-2 TO DLTM-100-2

<u>ITEM</u>	<u>PART NO.</u>	<u>DESCRIPTION</u>	<u>QUANTITY</u>
** 2.	6161-4N	Modular Terminal Assembly, 3 Pole with Neutral  380/220V & 415/240V  Includes the following parts:	1
	9374-1	Modular Terminal, Grey	3
	9374-2	Modular Terminal, Blue	1
	9375-1	End Plate	1
	9369-1	End Clamp	2
	9368-098	Mounting Rail	1
3.	4-70EU	Ground Lug	1
4.	4188-1	Earth ID Tag	1

\*\* SELECT AS REQUIRED.

PARTS LIST, DIRECT STEAM LEG-MOUNTED TILTING MIXER KETTLES,  
 MODELS: DLTM-40 TO DLTM-100, DLTM-40-2 TO DLTM-100-2

**FIGURE 7**



PARTS LIST, DIRECT STEAM LEG-MOUNTED TILTING MIXER KETTLES,  
 MODELS: DLTM-40 TO DLTM-100, DLTM-40-2 TO DLTM-100-2

**FIGURE 7**

<u>ITEM</u>	<u>PART NO.</u>	<u>DESCRIPTION</u>	<u>QUANTITY</u>
1.	5312-3	Woodruff Key	2
2.	1157-1	Agitator Coupling	1
3.	1157-2	Agitator Coupling	1
4.	9076-1	Hex Socket Set Screw, 5/16 - 18 x 5/8	2
5.	1157-3	Washer, Stainless Steel	1
6.	M50S-1420-34	Hex HD Screw, 1/4 - 20 x 3/4	2
** 7.	4999-1	Scraper Blades (40 Gallon)	23
	4999-1	Scraper Blades (60 Gallon)	28
	4999-1	Scraper Blades (80 Gallon)	32
	4999-1	Scraper Blades (100 Gallon)	36
** 8.	7052-1	Primary Agitator (40 Gallon)	1
	7053-1	Primary Agitator (60 Gallon)	1
	7054-1	Primary Agitator (80 Gallon)	1
	7055-1	Primary Agitator (100 Gallon)	1
** 9.	2390-1	Secondary Agitator, (40 Gallon)	1
	3024-1	Secondary Agitator, (60 Gallon)	1
	3025-1	Secondary Agitator, (80 Gallon)	1
	3026-1	Secondary Agitator, (100 Gallon)	1
10.	4562-1	Retaining Ring	2
11.	5064-1	Protector	1
12.	5093-2N	Retaining Ring	1
13.	5093-1	Bearing	2
14.	5063-1	Bearing Spacer Inner	1
15.	5063-2	Bearing Spacer Outer	1

PARTS LIST, DIRECT STEAM LEG-MOUNTED TILTING MIXER KETTLES,  
 MODELS: DLTM-40 TO DLTM-100, DLTM-40-2 TO DLTM-100-2

<u>ITEM</u>	<u>PART NO.</u>	<u>DESCRIPTION</u>	<u>QUANTITY</u>	
16.	5093-3	Retaining Ring	1	
17.	5092-1	Friction Disc	1	
18.	5061-1	Collar Assembly	1	
19.	9075-1	Set Screw, 1/4 - 20 x 1	3	
20.	9030-1	Nut, 1/4 - 20	3	
21.	9076-1	Set Screw, 5/16 - 18 x 5/8	2	
22.	M50S-51618-78	Hex HD Screw, 5/16 - 18 x 7/8	1	
23.	M50X-1420-12	Hex HD Screw, 1/4 - 20 x 1/2	2	
24.	F01X-14	Flat Washer, 1/4"	2	
25.	M93C-632-78	Screw Pan Slot, #6	2	
26.	E01X-6	External Tooth Lock Washer, #6	2	
27.	4-M605	Limit Switch	1	
28.	REF	Fiche Paper	1	
29.	5056-1	Limit Switch Bracket	1	
30.	9074-1	Hex Socket Set Screw, 3/8" - 16	1	
31.	9029-3	Hex Nut, 3/8"	1	
32.	1325-1	Swivel Base	1	
33.	1-XR75	Retaining Ring	2	
34.	2398-1	Tilt Shaft, Bridge	1	
**	35.	5243-1	Double Pilot Check Valve, Bridge	1
		5243-2	Double Pilot Check Valve, Bridge	1
36.	9-3136	Cylinder	1	
37.	9121-3	Mercury Switch	1	
*		9121-2	Mercury Switch Bracket	1
38.	9358-1	Hydraulic Motor Secondary	1	

PARTS LIST, DIRECT STEAM LEG-MOUNTED TILTING MIXER KETTLES,  
 MODELS: DLTM-40 TO DLTM-100, DLTM-40-2 TO DLTM-100-2

<u>ITEM</u>	<u>PART NO.</u>	<u>DESCRIPTION</u>	<u>QUANTITY</u>	
39.	9359-1	Hydraulic Motor Primary	1	
**	40.	7191-1	Bridge Cover (40 Gallon)	1
		7191-2	Bridge Cover (60 Gallon)	1
		7191-3	Bridge Cover (80 Gallon)	1
		7191-4	Bridge Cover (100 Gallon)	1
41.	9-3036	Pin Complete With Clips	2	
42.	4-RL55	Relay	2	
43.	9285-1	Connector, Male O-Ring Boss to Male JIC	2	
44.	M50S-3816-178	Hex Head Screw, 3/8-16 UNC x 1-7/8	2	
45.	9030-3	Hex Nut, 3/8 - 16 UNC	2	
46.	9284-1	Elbow, 90° Male O-Ring Boss to Male JIC	2	
47.	9354-1	Hydraulic Cylinder Yoke	1	
48.	1-R350	External Retaining Ring	4	

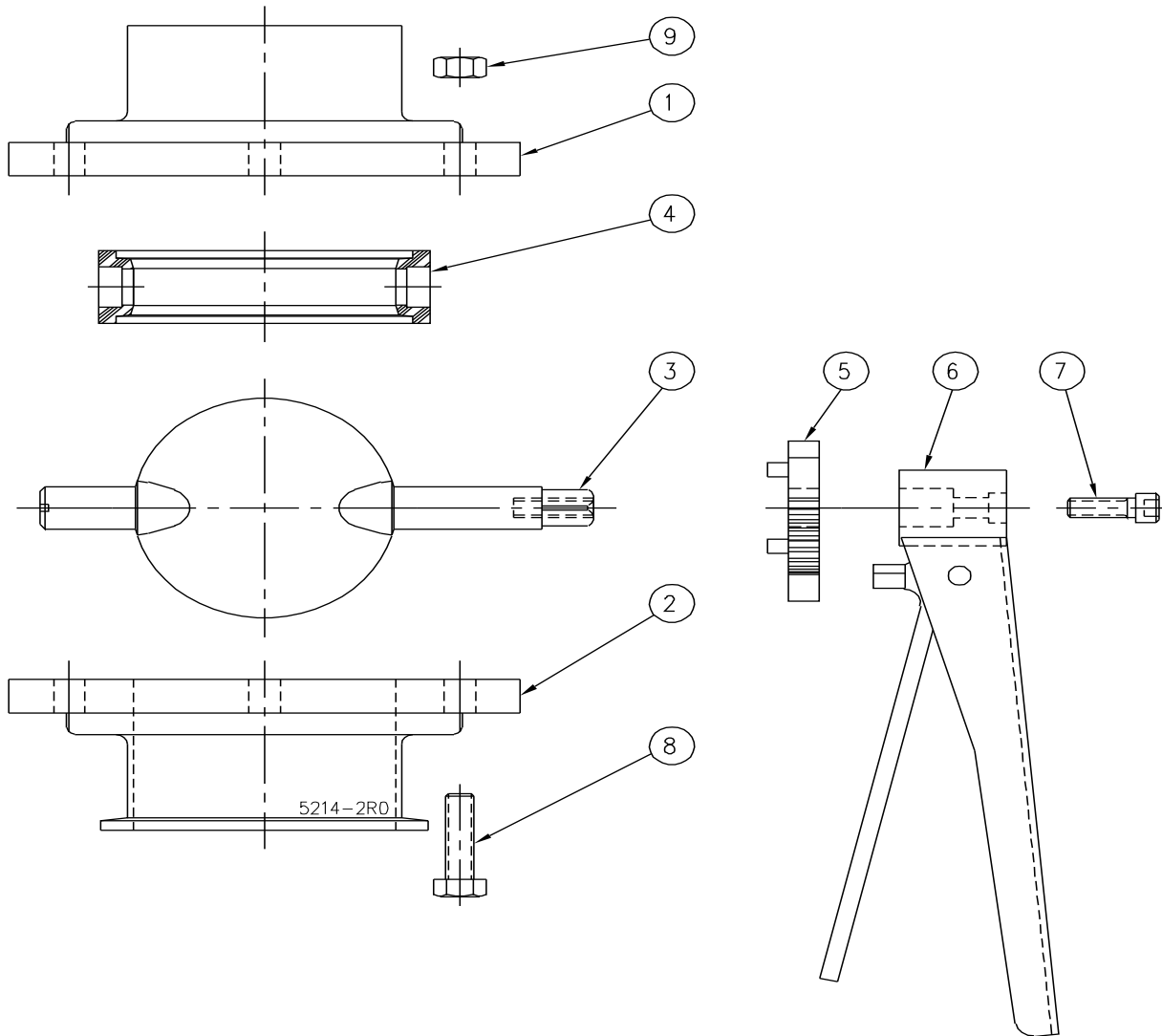
\* NOT SHOWN.

\*\* SELECT AS REQUIRED.

PARTS LIST, DIRECT STEAM LEG-MOUNTED TILTING MIXER KETTLES,  
MODELS: DLTM-40 TO DLTM-100, DLTM-40-2 TO DLTM-100-2

**FIGURE 8**

**BUTTERFLY VALVE**



PARTS LIST, DIRECT STEAM LEG-MOUNTED TILTING MIXER KETTLES,  
MODELS: DLTM-40 TO DLTM-100, DLTM-40-2 TO DLTM-100-2

**FIGURE 8**

**TWO INCH BUTTERFLY VALVE**

<b><u>ITEM</u></b>	<b><u>PART NO.</u></b>	<b><u>DESCRIPTION</u></b>	<b><u>QUANTITY</u></b>
1.	5215-3	Body Half	1
2.	5215-4	Body Half	1
3.	4045-3	Stem	1
4.	5210-1	Silicon Seat	1
5.	5209-3	Intermediate Step	1
6.	4046-2	Handle	1
7.	5217-1	Hex Bolt	1
8.	4048-1	Hex Bolt	4
9.	4049-1	Hex Nut	4

PARTS LIST, DIRECT STEAM LEG-MOUNTED TILTING MIXER KETTLES,  
MODELS: DLTM-40 TO DLTM-100, DLTM-40-2 TO DLTM-100-2

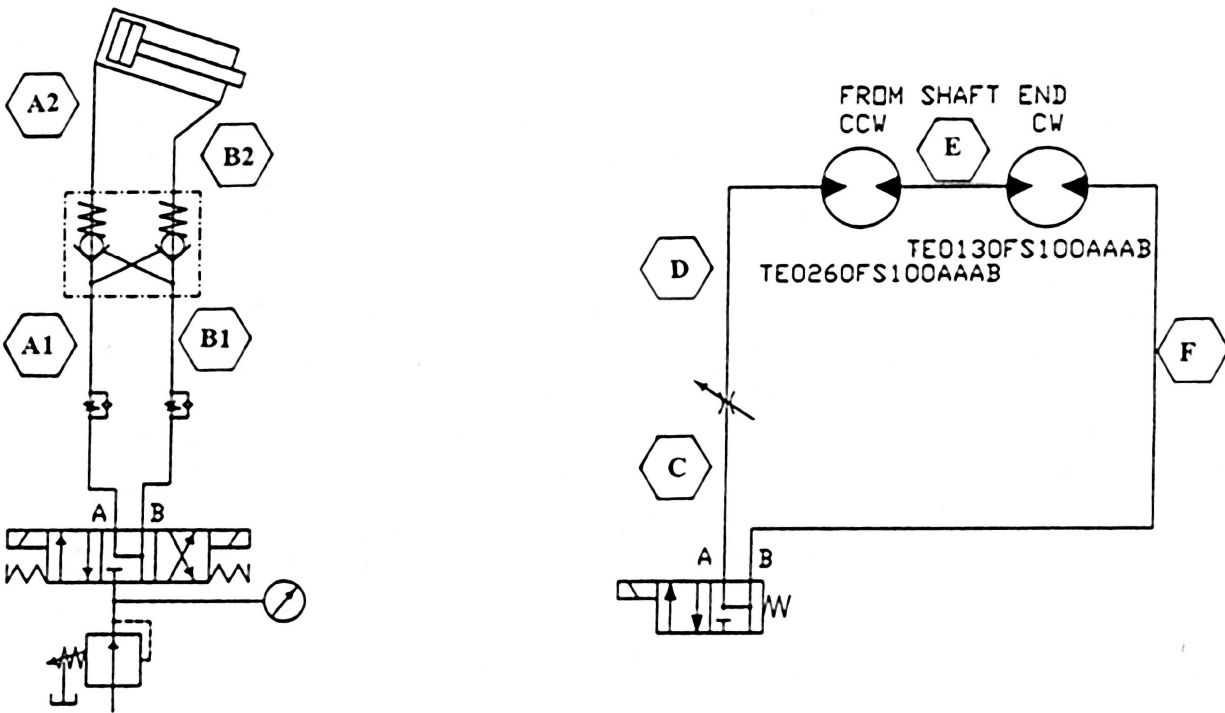
**THREE INCH BUTTERFLY VALVE**

<b><u>ITEM</u></b>	<b><u>PART NO.</u></b>	<b><u>DESCRIPTION</u></b>	<b><u>QUANTITY</u></b>
			<b><u>316SS</u></b>
1.	5216-3	Body Half	1
2.	5216-4	Body Half	1
3.	4045-4	Stem	1
4.	5212-1	Silicon Seat	1
5.	5209-4	Intermediate Step	1
6.	4046-2	Handle	1
7.	5217-1	Hex Bolt	1
8.	4048-2	Hex Bolt	6
9.	4049-1	Hex Nut	6

PARTS LIST, DIRECT STEAM LEG-MOUNTED TILTING MIXER KETTLES,  
MODELS: DLTM-40 TO DLTM-100, DLTM-40-2 TO DLTM-100-2

**FIGURE 9**

**HYDRAULIC HOSES**



PARTS LIST, DIRECT STEAM LEG-MOUNTED TILTING MIXER KETTLES,  
 MODELS: DLTM-40 TO DLTM-100, DLTM-40-2 TO DLTM-100-2

**FIGURE 9**

<u>ITEM</u>	<u>PART NO.</u>	<u>DESCRIPTION</u>	<u>QUANTITY</u>			
			<u>40</u>	<u>60</u>	<u>80</u>	<u>100</u>
A1	5363-1	Hose Assembly	1	1		
	5363-2	Hose Assembly			1	1
	5363-3	Hose Assembly				1
A2	5364-1	Hose Assembly	1	1	1	1
B1	5365-1	Hose Assembly	1	1		
	5365-2	Hose Assembly			1	
	5365-3	Hose Assembly				1
B2	5366-1	Hose Assembly	1	1	1	1
C	5367-1	Hose Assembly	1			
	5367-2	Hose Assembly		1		
	5367-3	Hose Assembly			1	
	5367-4	Hose Assembly				1
D	5368-1	Hose Assembly	1			
	5368-2	Hose Assembly		1		
	5368-3	Hose Assembly			1	
	5368-4	Hose Assembly				1
E	5369-1	Hose Assembly	1			
	5369-2	Hose Assembly		1	1	
	5369-3	Hose Assembly				1
F	5370-1	Hose Assembly	1			
	5370-2	Hose Assembly		1		
	5370-3	Hose Assembly			1	1
PC*	5371-1	Hose Assembly	1	1	1	1

\* PC = Pump Connection, Not Shown.