

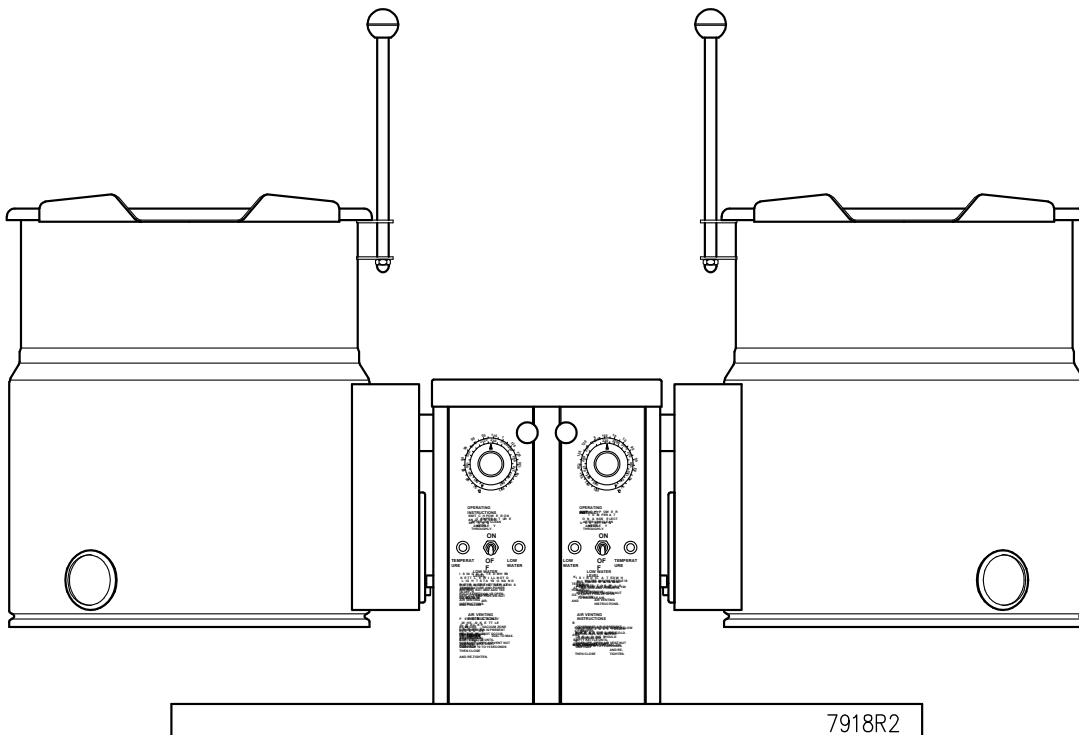


**IMPORTANT FOR FUTURE REFERENCE**  
 Please complete this information and retain this manual for the life of the equipment:

Model #: \_\_\_\_\_  
 Serial #: \_\_\_\_\_  
 Date Purchased: \_\_\_\_\_

## PARTS LIST


GYZ; YbYfUj]b[ 'GhYUa ' >UW\_YhYX'7 ci bhYf 'Hj] h]b[ '? YhYg'  
 97 '!\* HK !&'97 '!%\$HK !&'97 '!%&HK !&



**⚠ WARNING**

Improper installation, adjustment, alteration, service or maintenance can cause property damage, injury or death. Read the installation, operating and maintenance instructions thoroughly before installing or servicing this equipment.

**CROWN FOOD SERVICE EQUIPMENT**

 A Middleby Company

70 Oakdale Road, Downsview (Toronto) Ontario, Canada, M3N 1V9  
 Telephone: 919-762-1000      www.crownsteamgroup.com

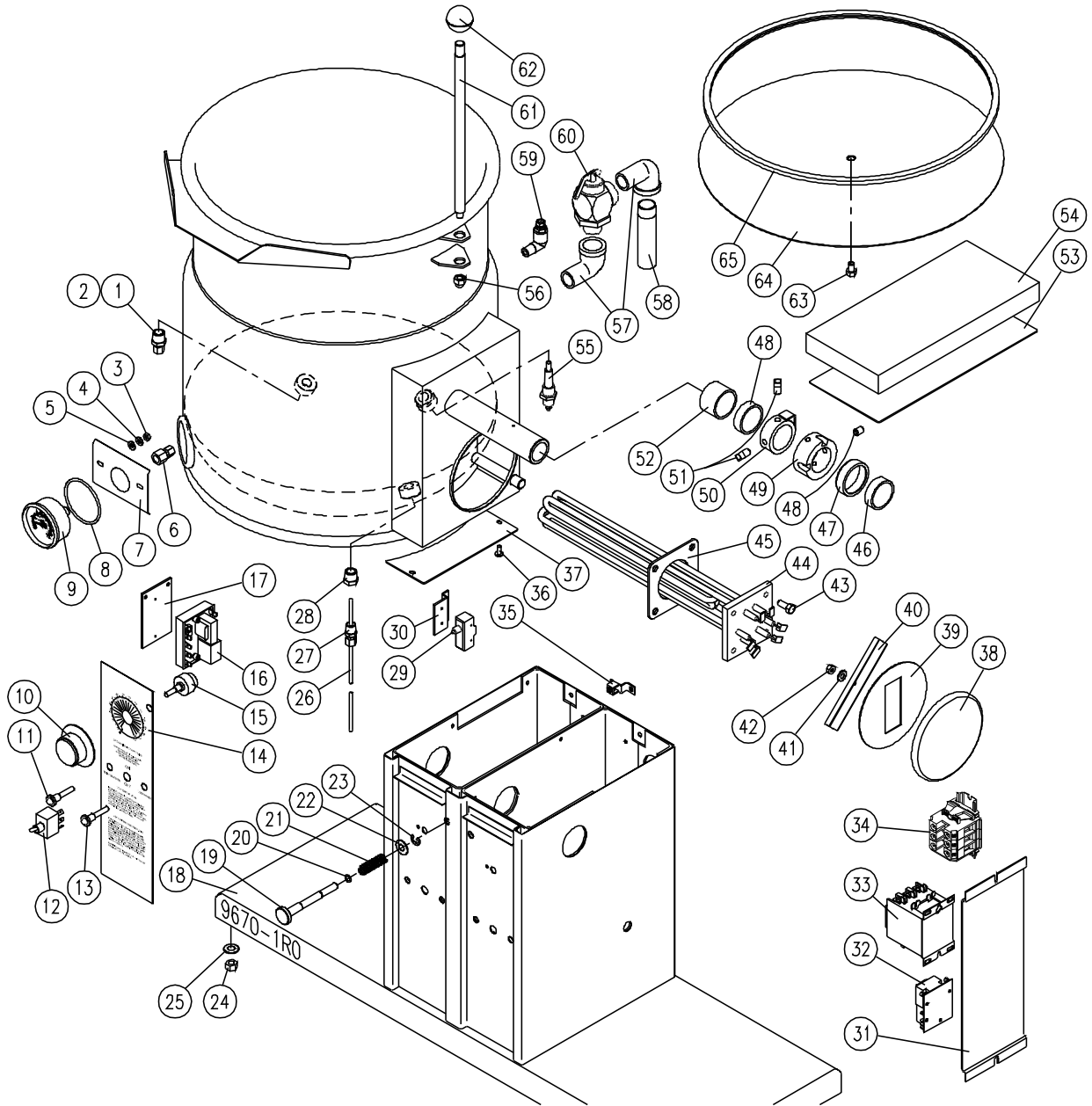
Printed in Canada



PARTS LIST, SELF-GENERATING STEAM JACKETED COUNTER TILTING KETTLES,  
EC-6TW-2, EC-10TW-2, EC-12TW-2

**FIGURE 1**

**LEFT SIDE KETTLE**



PARTS LIST, SELF-GENERATING STEAM JACKETED COUNTER TILTING KETTLES,  
 EC-6TW-2, EC-10TW-2, EC-12TW-2

**FIGURE 1**

<u>ITEM</u>	<u>PART NO.</u>	<u>DESCRIPTION</u>	<u>6 GAL. QTY.</u>	<u>10 &amp; 12 GAL. QTY.</u>
1.	3-684C	Connector, Brass	1	1
**	2.	8-3149		1
		8-3148	1	
3.	9029-32	Hex Nut	2	2
4.	F01X-10	Flat Washer	2	2
5.	S01X-10	Split Lock Washer	2	2
6.	3-664B	Connector, Brass	1	1
7.	3407-1	Pressure Gauge Plate	1	1
8.	2-230R	O-Ring	1	1
9.	4967-1	Pressure Gauge	1	1
10.	4-TD02	Skirted Knob	1	1
11.	4661-4	Pilot Light, Red, Temperature	1	1
12.	9110-1	Toggle Switch	1	1
13.	4661-5	Pilot Light, Amber, Low Water	1	1
**	14.	7010-2	1	
		6477-2		1
15.	5517-1	Potentiometer c/w Wires & Push on Terminals	1	1
16.	4174-1	Temperature Control	1	1
17.	4620-1	Mounting Plate	1	1
18.	8405-1	Base Sub-Assembly	1	1
19.	4608-1	Locking Pin Sub-Assembly	1	1
20.	2-011R	O-Ring	1	1

PARTS LIST, SELF-GENERATING STEAM JACKETED COUNTER TILTING KETTLES,  
EC-6TW-2, EC-10TW-2, EC-12TW-2

**FIGURE 1**

<u>ITEM</u>	<u>PART NO.</u>	<u>DESCRIPTION</u>	<u>6 GAL. QTY.</u>	<u>10 &amp; 12 GAL. QTY.</u>	
21.	4623-1	Compression Spring	1	1	
22.	1-W3S7	Flat Washer	2	2	
23.	1-XR33	External Retaining Ring	1	1	
24.	9029-3	Hex Nut	5	5	
25.	F01X-38	Flat Washer	5	5	
26.	4309-1	RTD Sensor Probe Assembly	1	1	
27.	3-683B	Connector, Brass	1	1	
28.	3-110CB	Bushing, Brass	1	1	
29.	4-M605	Microswitch	1	1	
30.	3408-1	Microswitch Bracket	1	1	
31.	3402-1	Component Mounting Bracket	1	1	
32.	3974-2	Liquid Level Control	1	1	
**	33.	9348-208	Contactor, 3 Pole, (208-240V)	2	2
		9348-208	Contactor, 3 Pole, (380-600V)	1	1
**	34.	6161-3	Modular Term. Assy, 3 Pole, (208-240V)	1	1
		Includes the Following Parts:			
		9374-1	Modular Terminal, Grey	3	3
		9375-1	End Plate	1	1
		9369-1	End Clamp	2	2
		9368-079	Mounting Rail	1	1
**	34.	9390-3	Terminal Block Assy, 3 Pole, (380-600V)	1	1
		Includes the Following Parts:			

PARTS LIST, SELF-GENERATING STEAM JACKETED COUNTER TILTING KETTLES,  
EC-6TW-2, EC-10TW-2, EC-12TW-2

**FIGURE 1**

<u>ITEM</u>	<u>PART NO.</u>	<u>DESCRIPTION</u>	<u>6 GAL. QTY.</u>	<u>10 &amp; 12 GAL. QTY.</u>	
	9391-1	Modular Terminal	3	3	
	9392-1	End Plate	1	1	
	9393-1	End Clamp	2	2	
	9394-065	Mounting Rail	1	1	
**	34.	9390-4N	Terminal Block Assy, 3 Pole with Neutral, (380/220V & 415/240V)	1	1
		Includes the Following Parts			
		9391-1	Modular Terminal	3	3
		9391-2	Modular Terminal, Blue	1	1
		9392-1	End Plate	1	1
		9393-1	End Clamp	2	2
		9394-065	Mounting Rail	1	1
	35.	4-70EU	Ground Lug	1	1
	36.	M33S-1032-12	Truss Slotted HD Screw	2	2
**	37.	3400-1	Trunnion Box Bottom Cover	1	
		3438-1	Trunnion Box Bottom Cover		1
		4922-1	Trunnion Box Bottom Gasket	1	
		4922-2	Trunnion Box Bottom Gasket		1
	38.	6570-1	Element Access Cover Assembly	1	1
	39.	4605-1	Gasket	1	1
	40.	4983-1	Element Access Door Channel Brace	1	1
	41.	101X-14	Internal Tooth Lock Washer	1	1
	42.	9029-1	Hex Nut	1	1

PARTS LIST, SELF-GENERATING STEAM JACKETED COUNTER TILTING KETTLES,  
EC-6TW-2, EC-10TW-2, EC-12TW-2

**FIGURE 1**

<u>ITEM</u>	<u>PART NO.</u>	<u>DESCRIPTION</u>	<u>6 GAL. QTY.</u>	<u>10 &amp; 12 GAL. QTY.</u>	
	43.	M50S-51618-34	Hex HD Screw	4	4
**	44.	7-5015	Heating Element, 7.5 kW, 208V	1	
		7-5016	Heating Element, 7.5 kW, 380/220V	1	
		7-5017	Heating Element, 7.5 kW, 416/240V	1	
		7-5018	Heating Element, 7.5 kW, 480V	1	
		2348-1	Heating Element, 7.5 kW, 600V	1	
		7-5019	Heating Element, 12 kW, 208V		1
		7-5020	Heating Element, 12 kW, 380/220V		1
		7-5021	Heating Element, 12 kW, 416/240V		1
		7-5022	Heating Element, 12 kW, 480V		1
		9-3298-1	Heating Element, 12 kW, 600V		1
*		M93BRB-1032-38	Element Terminal Screw	6	6
**	45.	5984-1	Element Gasket	1	
		5986-1	Element Gasket		1
	46.	8-6030	Bearing	1	1
	47.	3415-1	Trunnion Bushing Housing	2	2
	48.	9061-11	Set Screw	1	1
	49.	7011-1	Cam Collar	1	1
	50.	3546-1	Actuating Collar Assembly	1	1
	51.	9025-1	Set Screw	2	2
	52.	3412-2	Bearing	1	1
	53.	3745-1	Console Cover Gasket	1	1
	54.	3397-1	Console Top Cover	1	1

PARTS LIST, SELF-GENERATING STEAM JACKETED COUNTER TILTING KETTLES,  
EC-6TW-2, EC-10TW-2, EC-12TW-2

**FIGURE 1**

<u>ITEM</u>	<u>PART NO.</u>	<u>DESCRIPTION</u>	<u>6 GAL. QTY.</u>	<u>10 &amp; 12 GAL. QTY.</u>
55.	4-LLP1	Probe	1	1
56.	9031-7	Acorn Nut	1	1
57.	9012-4P	Street Elbow	2	2
58.	5184-1	Relief Valve Extension	1	1
59.	3-AV01	Air Vent Assembly	1	1
60.	3-SRV9-1	Safety Relief Valve, 50 PSI	1	1
61.	8-2020	Tilt Handle	1	1
62.	2-KB01	Handle Knob, Red	1	1
63.	M50S-51618-12	Hex HD Screw	1	1
**	64.	3403-1	1	
		3440-1		1
**	65.	4618-40	1	
		4618-504		1
* **	66.	3404-1	1	
		3441-1		1
*	67.	4204-8	1	1
*	68.	4204-9	1	1
*	69.	M50S-51618-114	4	4
*	70.	F01C-516	4	4
* **	71.	4-T252	1	1
		4-T251	1	1
		4-T255	1	1
		4-T260	1	1

PARTS LIST, SELF-GENERATING STEAM JACKETED COUNTER TILTING KETTLES,  
 EC-6TW-2, EC-10TW-2, EC-12TW-2

**FIGURE 1**

<u>ITEM</u>	<u>PART NO.</u>	<u>DESCRIPTION</u>	<u>6 GAL. QTY.</u>	<u>10 &amp; 12 GAL. QTY.</u>	
* **	72.	9092-3	Fuse, 250V, 3A, (280-240V)	2	2
		9092-3	Fuse, 250V, 3A, (380/220V, 415/240V)	1	1
		9001-2	Fuse, 600V, 1/2 A (380-600V)	2	2
* **	73.	9068-1	Fuse Holder, (208-240V)	2	2
		9068-1	Fuse Holder, (380/220V & 415/240V)	1	1
		9002-1	Fuse Holder, (380-600V)	2	2
*	74.	3931-1	Faucet Bracket, Optional	1	1

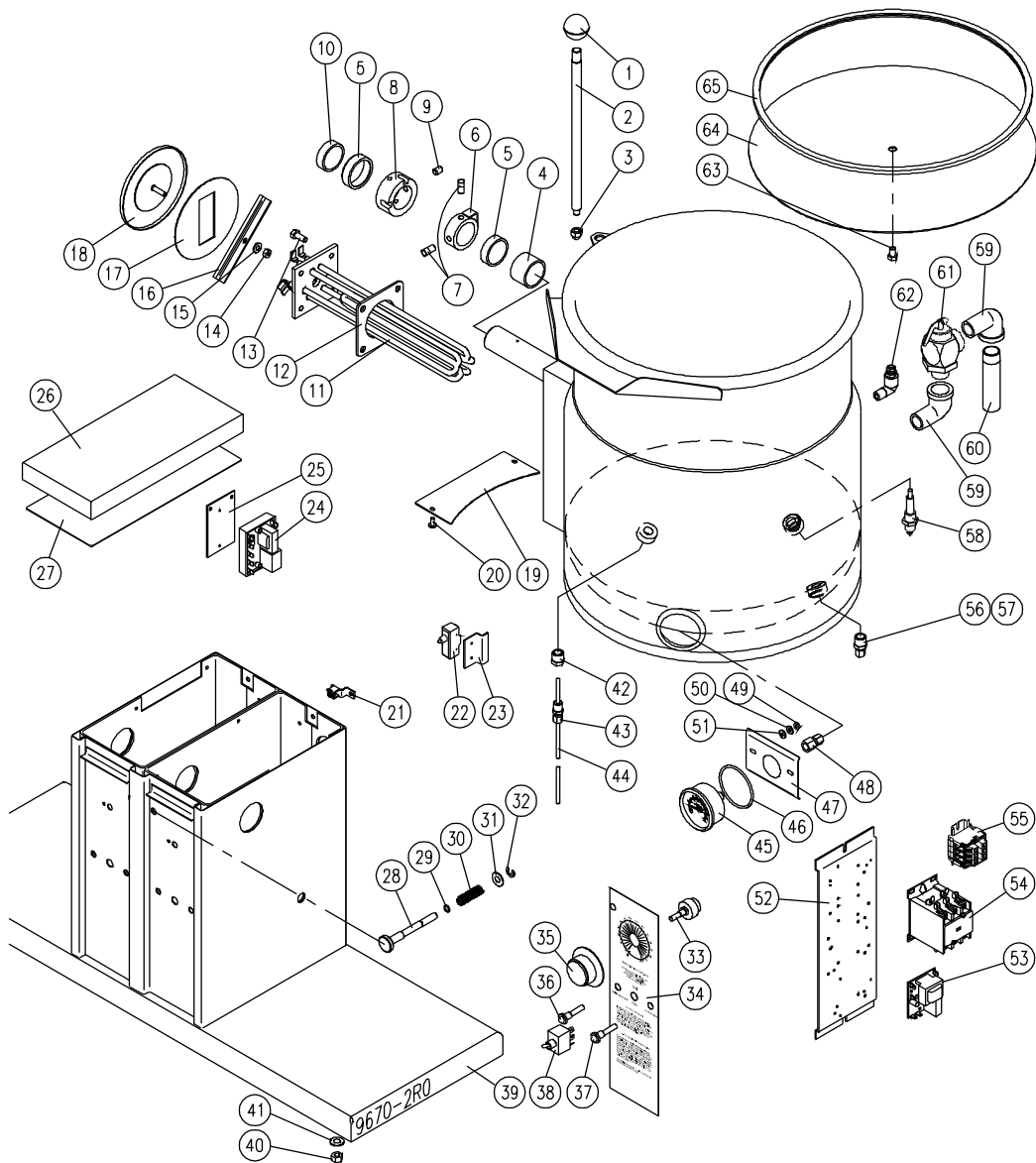
\* NOT SHOWN

\*\* SELECT AS REQUIRED

PARTS LIST, SELF-GENERATING STEAM JACKETED COUNTER TILTING KETTLES,  
EC-6TW-2, EC-10TW-2, EC-12TW-2

**FIGURE 2**

**RIGHT SIDE KETTLE**



PARTS LIST, SELF-GENERATING STEAM JACKETED COUNTER TILTING KETTLES,  
 EC-6TW-2, EC-10TW-2, EC-12TW-2

**FIGURE 2**

<u>ITEM</u>	<u>PART NO.</u>	<u>DESCRIPTION</u>	<u>6 GALLON QTY.</u>	<u>10 &amp; 12 GALLON QTY.</u>
1.	2-KB01	Handle Knob, Red	1	1
2.	8-2020	Tilt Handle	1	1
3.	9031-7	Acorn Nut	1	1
4.	3412-2	Bearing	1	1
5.	3415-1	Trunnion Bushing Housing	2	2
6.	3546-1	Actuating Collar Assembly	1	1
7.	9025-1	Set Screw	2	2
8.	7011-1	Cam Collar	1	1
9.	9061-11	Set Screw	1	1
10.	8-6030	Bearing	1	1
**	11.	7-5015	Heating Element, 7.5 kW, 208V	1
		7-5016	Heating Element, 7.5 kW, 380/220V	1
		7-5017	Heating Element, 7.5 kW, 416/240V	1
		7-5018	Heating Element, 7.5 kW, 480V	1
		2348-1	Heating Element, 7.5 kW, 600V	1
		7-5019	Heating Element, 12 kW, 208V	1
		7-5020	Heating Element, 12 kW, 380/220V	1
		7-5021	Heating Element, 12 kW, 416/240V	1
		7-5022	Heating Element, 12 kW, 480V	1
		9-3298-1	Heating Element, 12 kW, 600V	1
*		M93BRB-1032-38	Element Terminal Screw	6
**	12.	5984-1	Element Gasket	1
		5986-1	Element Gasket	1

PARTS LIST, SELF-GENERATING STEAM JACKETED COUNTER TILTING KETTLES,  
 EC-6TW-2, EC-10TW-2, EC-12TW-2

<u>ITEM</u>	<u>PART NO.</u>	<u>DESCRIPTION</u>	<u>6 GALLON QTY.</u>	<u>10 &amp; 12 GALLON QTY.</u>	
13.	M50S-51618-34	Hex HD Screw	4	4	
14.	9029-1	Hex Nut	1	1	
15.	101X-14	Internal Tooth Lock Washer	1	1	
16.	4983-1	Elem. Access Door Channel Brace	1	1	
17.	4605-1	Gasket	1	1	
18.	6570-1	Element Access Cover Assembly	1	1	
**	19.	3400-1	Trunnion Box Bottom Cover	1	
		3438-1	Trunnion Box Bottom Cover		1
*		4922-1	Trunnion Box Bottom Gasket	1	
*		4922-2	Trunnion Box Bottom Gasket		1
20.	M33S-1032-12	Truss Slotted HD Screw	2	2	
21.	4-70EU	Ground Lug	1	1	
22.	4-M605	Microswitch	1	1	
23.	3408-1	Microswitch Bracket	1	1	
24.	4174-1	Temperature Control	1	1	
25.	4620-1	Mounting Plate	1	1	
26.	3397-1	Console Top Cover	1	1	
27.	3745-1	Console Cover Gasket	1	1	
28.	4608-1	Locking Pin Sub-Assembly	1	1	
29.	2-011R	O-Ring	1	1	
30.	4623-1	Compression Spring	1	1	
31.	1-W3S7	Flat Washer	2	2	
32.	1-XR33	External Retaining Ring	1	1	
33.	5517-1	Potentiometer c/w Wires & Push on Terminals	1	1	

PARTS LIST, SELF-GENERATING STEAM JACKETED COUNTER TILTING KETTLES,  
EC-6TW-2, EC-10TW-2, EC-12TW-2

<u>ITEM</u>	<u>PART NO.</u>	<u>DESCRIPTION</u>	<u>6 GALLON QTY.</u>	<u>10 &amp; 12 GALLON QTY.</u>
**	34.	8723-1	Control Panel Decal	1
		8724-1	Control Panel Decal	1
	35.	4-TD02	Skirted Knob	1
	36.	4661-4	Pilot Light, Red, Temperature	1
	37.	4661-5	Pilot Light, Amber, Low Water	1
	38.	9110-1	Toggle Switch	1
	39.	8405-1	Base Sub-Assembly	1
	40.	9029-3	Hex Nut	5
	41.	F01X-38	Flat Washer	5
	42.	3-110CB	Brass Bushing	1
	43.	3-683B	Brass Connector	1
	44.	4309-1	RTD Sensor Probe Assembly	1
	45.	4967-1	Pressure Gauge	1
	46.	2-230R	O-Ring	1
	47.	3407-1	Pressure Gauge Plate	1
	48.	3-664B	Brass Connector	1
	49.	9029-32	Hex Nut	2
	50.	F01X-10	Flat Washer	2
	51.	S01X-10	Split Lock Washer	2
	52.	3402-2	Component Mounting Bracket	1
	53.	3974-2	Liquid Level Control	1
**	54.	9348-208	Contactator, 3 Pole, (208-240V)	2
		9348-208	Contactator, 3 Pole, (380-600V)	1
**	55.	6161-3	Mod. Term. Assy, 3 Pole, 208-240V	1
		Includes the Following Parts:		

PARTS LIST, SELF-GENERATING STEAM JACKETED COUNTER TILTING KETTLES,  
 EC-6TW-2, EC-10TW-2, EC-12TW-2

<u>ITEM</u>	<u>PART NO.</u>	<u>DESCRIPTION</u>	<u>6 GALLON QTY.</u>	<u>10 &amp; 12 GALLON QTY.</u>	
	9374-1	Modular Terminal, Grey	3	3	
	9375-1	End Plate	1	1	
	9369-1	End Clamp	2	2	
	9368-079	Mounting Rail	1	1	
**	55.	9390-3	Term Block Assy, 3 Pole, (380-600V)	1	1
		Includes the Following Parts:			
		9391-1	Modular Terminal	3	3
		9392-1	End Plate	1	1
		9393-1	End Clamp	2	2
		9394-065	Mounting Rail	1	1
**	55.	9390-4N	Terminal Block Assy, 3 Pole with Neutral, (380/220V & 415/240V)	1	1
		Includes the Following Parts:			
		9391-1	Modular Terminal	3	3
		9391-2	Modular Terminal, Blue	1	1
		9392-1	End Plate	1	1
		9393-1	End Clamp	2	2
		9394-065	Mounting Rail	1	1
	56.	3-684C	Brass Connector	1	1
**	57.	8-3149	Copper Tubing		1
		8-3148	Copper Tubing	1	
	58.	4-LLP1	Probe	1	1
	59.	9012-4P	Street Elbow	2	2
	60.	5184-1	Relief Valve Extension	1	1

PARTS LIST, SELF-GENERATING STEAM JACKETED COUNTER TILTING KETTLES,  
EC-6TW-2, EC-10TW-2, EC-12TW-2

<u>ITEM</u>	<u>PART NO.</u>	<u>DESCRIPTION</u>	<u>6 GALLON QTY.</u>	<u>10 &amp; 12 GALLON QTY.</u>
61.	3-SRV9-1	Safety Relief Valve, 50 PSI	1	1
62.	3-AV01	Air Vent Assembly	1	1
63.	M50S-51618-12	Hex HD Screw	1	1
**	64. 3403-1	Bottom Cover	1	
	3440-1	Bottom Cover		1
**	65. 4618-1	Bnottom Cover Gasket	1	
	4618-2	Bottom Cover Gasket		1
* **	66. 3404-1	Kettle Top Cover, Optional	1	
	3441-1	Kettle Top Cover, Optional		1
*	67. 4204-8	Wire Harness, Thermostat	1	1
*	68. 4204-9	Wire Harness, Elem. to Contactor	1	1
*	69. M50S-51618-114	Hex HD Screw	4	4
*	70. F01C-516	Flat Washer	4	4
* **	71. 4-T252	Transformer, 380-240V	1	1
	4-T251	Transformer, 415-240V	1	1
	4-T255	Transformer, 480V-240V	1	1
	4-T260	Transformer, 600V-240V	1	1
* **	72. 9092-3	Fuse, 250V, 3A (280-240V)	2	2
	9092-3	Fuse 250V 3A (380/220V, 415/240V)	1	1
	9001-2	Fuse, 600V, 1/2A (380-600V)	2	2
* **	73. 9068-1	Fuse Holder, (208-240V)	2	2
	9068-1	Fuse Holder, (380/220V, 415/240V)	1	1
	9002-1	Fuse Holder, (380-600V)	2	2
*	74. 3931-1	Faucet Bracket, Optional	1	1

PARTS LIST, SELF-GENERATING STEAM JACKETED COUNTER TILTING KETTLES,  
EC-6TW-2, EC-10TW-2, EC-12TW-2

\* NOT SHOWN.

\*\* SELECT AS REQUIRED.