



IMPORTANT FOR FUTURE REFERENCE

Please complete this information and retain this manual for the life of the equipment:

Model #: _____

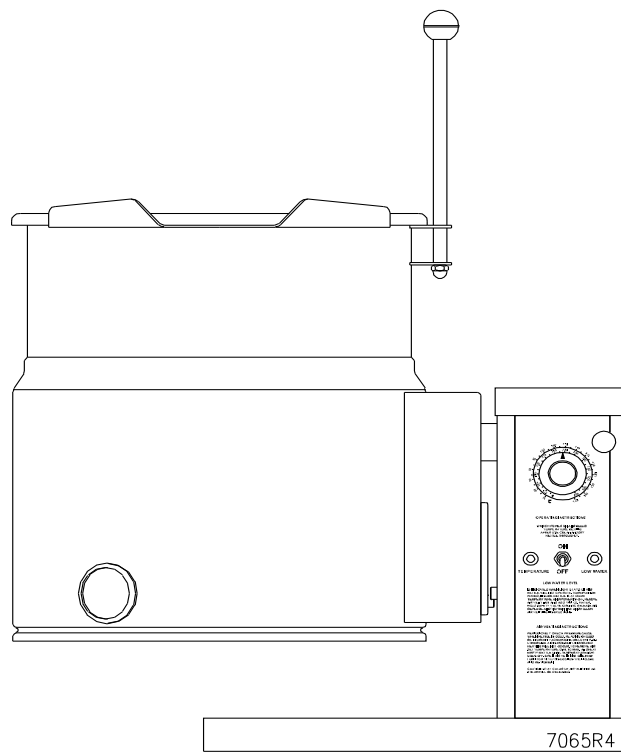
Serial #: _____

Date Purchased: _____

PARTS LIST

Self Generating Steam Jacketed Counter Tilting Kettles


EC - 6TW EC-10TW EC-12TW



WARNING

Improper installation, adjustment, alteration, service or maintenance can cause property damage, injury or death. Read the installation, operating and maintenance instructions thoroughly before installing or servicing this equipment.

CROWN FOOD SERVICE EQUIPMENT

 A Middleby Company

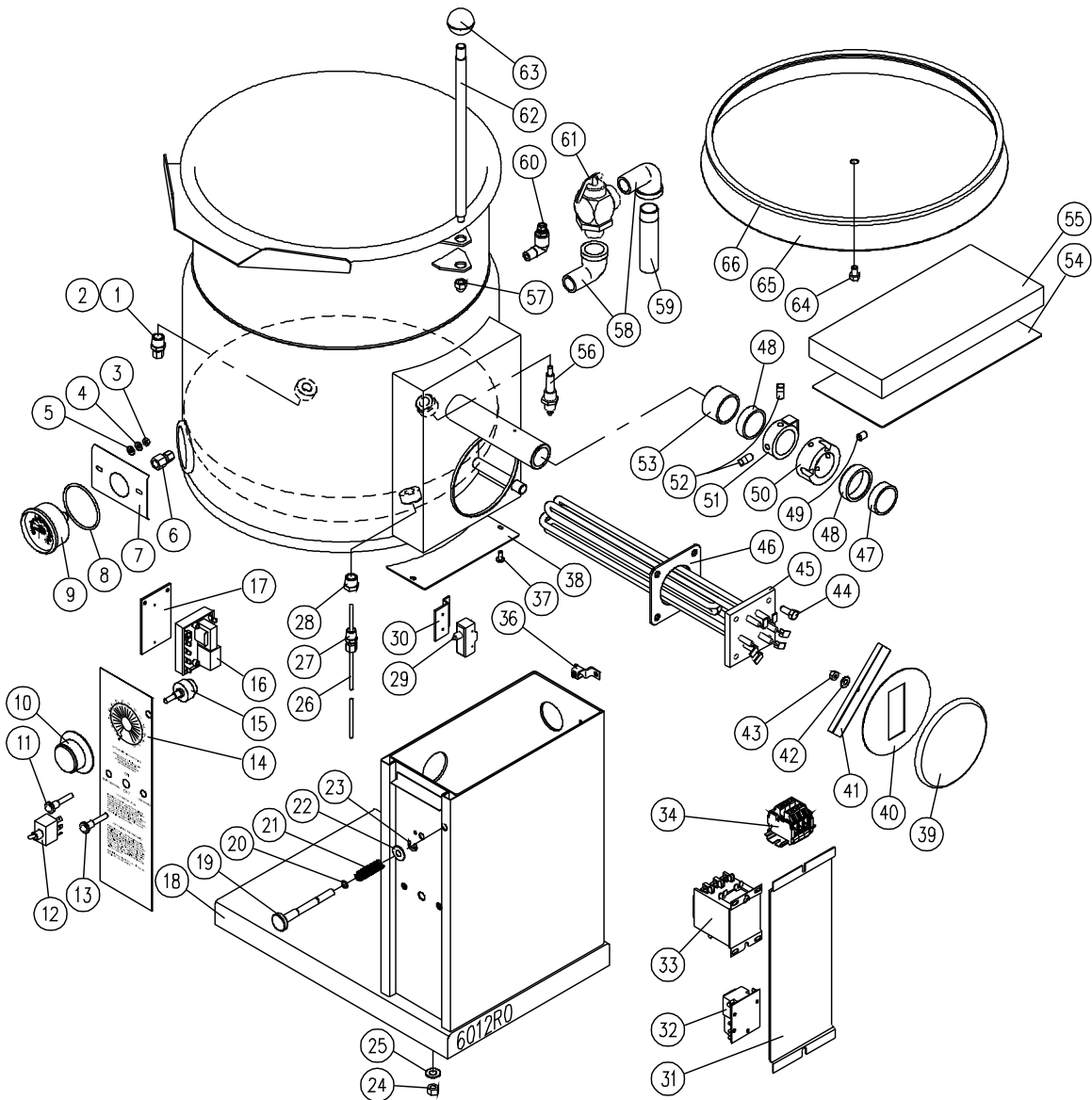
70 Oakdale Road, Downsview (Toronto) Ontario, Canada, M3N 1V9

Telephone: 919-762-1000 www.crownsteamgroup.com

Printed in Canada

PARTS LIST, SELF-GENERATING STEAM JACKETED COUNTER TILTING KETTLES,
EC-6TW, EC-10TW, EC-12TW

FIGURE 1



PARTS LIST, SELF-GENERATING STEAM JACKETED COUNTER TILTING KETTLES,
EC-6TW, EC-10TW, EC-12TW

FIGURE 1

<u>ITEM</u>	<u>PART NO.</u>	<u>DESCRIPTION</u>	<u>QUANTITY</u>	
			<u>EC-6TW</u>	<u>EC-10TW</u> <u>EC-12TW</u>
1.	3-684C	Connector, Brass, 1/4C x 3/8 MPT	1	1
2.	8-3149	Copper Tubing, 1/4		1
	8-3148	Copper Tubing, 1/4	1	
3.	9029-32	Hex Nut, #10-32 UNF	2	2
4.	F01X-10	Flat Washer, #10	2	2
5.	S01X-10	Split Lock Washer, #10	2	2
6.	3-664B	Connector, Brass, 1/4 C x 1/4 FPT	1	1
7.	3407-1	Pressure Gauge Plate	1	1
8.	2-230R	O Ring, 2-3/4 OD x 2-1/2 ID x 1/8 Thick	1	1
9.	4967-1	Pressure Gauge, 100 PSI	1	1
10.	4-TD02	Skirted Knob	1	1
11.	4661-4	Pilot Light, Red, 250V, Temperature	1	1
12.	9110-1	Toggle Switch, DPST, 250 VAC, 6A	1	1
13.	4661-5	Pilot Light, Amber, 250V, Low Water	1	1
14.	7010-1	Control Panel Decal	1	
	6477-1	Control Panel Decal		1
15.	5517-1	Potentiometer c/w Wires & Push On Terminals	1	1

PARTS LIST, SELF-GENERATING STEAM JACKETED COUNTER TILTING KETTLES,
 EC-6TW, EC-10TW, EC-12TW

FIGURE 1

<u>ITEM</u>	<u>PART NO.</u>	<u>DESCRIPTION</u>	<u>QUANTITY</u>		
			<u>EC-6TW</u>	<u>EC-10TW</u> <u>EC-12TW</u>	
16.	4174-1	Temperature Control	1	1	
17.	4620-1	Mounting Plate	1	1	
18.	3395-1	Base Assembly	1	1	
19.	4608-1	Locking Pin Sub-Assembly	1	1	
20.	2-011R	O Ring Seal, 7/16 OD x 5/16 ID x 1/16 Thick	1	1	
21.	4623-1	Compression Spring	1	1	
22.	1-W3S7	Flat Washer, 3/8 ID x 7/8 OD x 0.048 Thick	2	2	
23.	1-XR33	External Retaining Ring, 3/8 Shaft	1	1	
24.	9029-3	Hex Nut, 3/8 - 16 UNC	5	5	
25.	F01X-38	Flat Washer, 3/8"	5	5	
26.	4309-1	RTD Sensor Probe Assembly	1	1	
27.	3-683B	Connector, Brass, 3/16 C x 1/4 MPT	1	1	
28.	3-110CB	Bushing, Brass, 3/8 MPT - 1/4 FPT	1	1	
29.	4-M605	Microswitch	1	1	
30.	3408-1	Microswitch Bracket	1	1	
31.	3402-1	Component Mounting Bracket	1	1	
32.	3974-2	Liquid Level Control, 100K, OHM, 240V, 60 Hz	1	1	
**	33.	9348-208	Contactor, 3 Pole, 50A Resistance, 208, 220, 240V	2	2

PARTS LIST, SELF-GENERATING STEAM JACKETED COUNTER TILTING KETTLES,
 EC-6TW, EC-10TW, EC-12TW

FIGURE 1

<u>ITEM</u>	<u>PART NO.</u>	<u>DESCRIPTION</u>	<u>QUANTITY</u>	
			<u>EC-6TW</u>	<u>EC-10TW</u> <u>EC-12TW</u>
	9348-208	Contactora, 3 Pole, 50A Resistance, 380, 415, 380/220, 415/240, 480, 600V	1	1
**	34.	6161-3 Modular Terminal Assembly, 3 Pole, 208-240V Includes the following parts:	1	1
	9374-1	Modular Terminal, Grey	3	3
	9375-1	End Plate	1	1
	9369-1	End Clamp	2	2
	9368-079	Mounting Rail	1	1
**	34.	9390-3 Terminal Block Assembly, 3 Pole, 380-600V Includes the following parts:	1	1
	9391-1	Modular Terminal	3	3
	9392-1	End Plate	1	1
	9393-1	End Clamp	2	2
	9394-065	Mounting Rail	1	1
**	34.	9390-4N Terminal Block Assembly, 3 Pole with Neutral, 380/220V & 415/240V, Includes the following parts:	1	1
	9391-1	Modular Terminal	3	3
	9391-2	Modular Terminal, Blue	1	1
	9392-1	End Plate	1	1
	9393-1	End Clamp	2	2

PARTS LIST, SELF-GENERATING STEAM JACKETED COUNTER TILTING KETTLES,
EC-6TW, EC-10TW, EC-12TW

FIGURE 1

<u>ITEM</u>	<u>PART NO.</u>	<u>DESCRIPTION</u>	<u>QUANTITY</u>	
			<u>EC-6TW</u>	<u>EC-10TW</u> <u>EC-12TW</u>
	9394-065	Mounting Rail	1	1
*	35. 3404-1	Kettle Top Cover, Optional	1	
	3441-1	Kettle Top Cover, Optional		1
	36. 4-70EU	Ground Lug	1	1
	37. M33S-1032-12	Truss Slotted HD Screw #10-32 UNF x 1/2 Lg.	2	2
	38. 3400-1	Trunnion Box Bottom Cover	1	
	3438-1	Trunnion Box Bottom Cover		1
	4922-1	Trunnion Box Bottom Gasket	1	
	4922-2	Trunnion Box Bottom Gasket		1
	39. 6570-1	Element Access Cover Assembly	1	1
	40. 4605-1	Gasket	1	1
	41. 4983-1	Element Access Door Channel Brace	1	1
	42. I01X-14	Internal Tooth Lock Washer, 1/4"	1	1
	43. 9029-1	Hex Nut, 1/4"-20 UNC	1	1
	44. M50S-51618-34	Hex HD Screw, 5/16-18 UNC x 3/4 Lg.	4	4
**	45. 7-5015	Heating Element, 7.5 kW, 208V	1	
	7-5016	Heating Element, 7.5 kW, 380/220V	1	

PARTS LIST, SELF-GENERATING STEAM JACKETED COUNTER TILTING KETTLES,
 EC-6TW, EC-10TW, EC-12TW

FIGURE 1

<u>ITEM</u>	<u>PART NO.</u>	<u>DESCRIPTION</u>	<u>QUANTITY</u>	
			<u>EC-6TW</u>	<u>EC-10TW</u> <u>EC-12TW</u>
	7-5017	Heating Element, 7.5 kW, 416/240V	1	
	7-5018	Heating Element, 7.5 kW, 480V	1	
	2348-1	Heating Element, 7.5 kW, 600V	1	
	7-5019	Heating Element, 12 kW, 208V		1
	7-5020	Heating Element, 12 kW, 380/220V		1
	7-5021	Heating Element, 12 kW, 416/240V		1
	7-5022	Heating Element, 12 kW, 480V		1
	9-3298-1	Heating Element, 12 kW, 600V		1
*	M93BRB-1032-38	Pan Slotted HD Screw, #10-32 UNF x 3/8 Lg. Brass Nickel Plated, (Element Terminal Screw)	6	6
**	46. 5984-1	Element Gasket	1	
	5986-1	Element Gasket		1
	47. 8-6030	Bearing, Oilite, 1-3/4 OD x 1-1/2 ID x 1/2	1	1
	48. 3415-1	Trunnion Bushing Housing	2	2
	49. 9061-11	Hex Socket Set Screw, Cup Point 3/8 - 16 UNC x 1/2 Lg.	1	1
	50. 7011-1	Cam Collar	1	1
	51. 3546-1	Actuating Collar Assembly	1	1

PARTS LIST, SELF-GENERATING STEAM JACKETED COUNTER TILTING KETTLES,
 EC-6TW, EC-10TW, EC-12TW

FIGURE 1

<u>ITEM</u>	<u>PART NO.</u>	<u>DESCRIPTION</u>	<u>QUANTITY</u>		
			<u>EC-6TW</u>	<u>EC-10TW</u> <u>EC-12TW</u>	
52.	9025-1	Sq. HD Set Screw, 3/8 - 16 NC x 1/2	2	2	
53.	3412-2	Bearing, Oilite 1-3/4 OD x 1-1/2 ID x 1 9/32	1	1	
54.	3745-1	Console Cover Gasket	1	1	
55.	3397-1	Console Top Cover	1	1	
56.	4-LLP1	Probe, 2-1/16 Lg.	1	1	
57.	9031-7	Acorn Nut, 3/8"-16 UNC	1	1	
58.	9012-4P	Street Elbow, 90°, Black Iron, 150#, 3/4" NPT	2	2	
59.	5184-1	Relief Valve Extension	1	1	
60.	3-AV01	Air Vent Assembly	1	1	
61.	3-SRV9-1	Safety Relief Valve, 50 PSI	1	1	
62.	8-2020	Tilt Handle	1	1	
63.	2-KB01	Handle Knob, Red	1	1	
64.	M50S-51618-12	Hex HD Screw, 5/16 - 18 UNC x 1/2 Lg.	1	1	
65.	3403-1	Bottom Cover	1		
	3440-1	Bottom Cover		1	
66.	4618-1	Bottom Cover Gasket	1		
	4618-2	Bottom Cover Gasket		1	
*	67.	4204-8	Wire Harness, Thermostat, Thermalogic	1	1

PARTS LIST, SELF-GENERATING STEAM JACKETED COUNTER TILTING KETTLES,
EC-6TW, EC-10TW, EC-12TW

FIGURE 1

<u>ITEM</u>	<u>PART NO.</u>	<u>DESCRIPTION</u>	<u>QUANTITY</u>	
			<u>EC-6TW</u>	<u>EC-10TW</u> <u>EC-12TW</u>
*	68.	4204-9 Wire Harness, Element to Contactor	1	1
*	69.	M50S-51618-114 Hex HD Screw, 5/16 - 18 UNC x 1-1/4	4	4
*	70.	F01C-516 Flat Washer, 5/16	4	4
* **	71.	4-T251 Transformer, 380/416V-120V 50/60 Hz, 100VA	1	1
		4-T255 Transformer, 480V-120V, 60 Hz, 100VA	1	1
		4-T260 Transformer, 600V-120V, 60 Hz, 100VA	1	1
* **	72.	9092-3 Fuse, 250V, 3A (280-240V Units)	2	2
		9092-3 Fuse, 250V, 3A (380/220V & 415/240V Units)	1	1
		9001-2 Fuse, 600V, 1/2A (380-600V Units)	2	2
* **	73.	9068-1 Fuse Holder, 300V, 25A (208-240V Units)	2	2
		9068-1 Fuse Holder, 300V, 25A, (380/220V & 415/240V Units)	1	1
		9002-1 Fuse Holder, 600V, 30A, (380-600V Units)	2	2
*	74.	3931-1 Faucet Bracket, Optional	1	1

* NOT SHOWN

** SELECT AS REQUIRED