



IMPORTANT FOR FUTURE REFERENCE

Please complete this information and retain this manual for the life of the equipment:

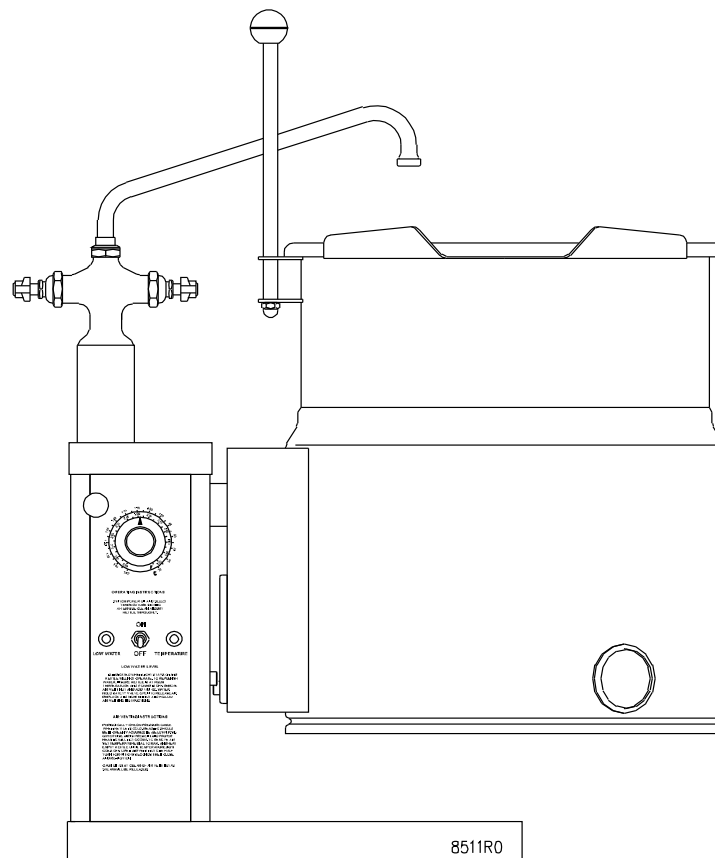
Model #: _____

Serial #: _____

Date Purchased: _____

PARTS LIST


Self Generating Steam Jacketed Counter Tilting Kettles! @Zi7 cbgc`Y
EC-6TW-L EC-10TW-L EC-12TW-L



WARNING

Improper installation, adjustment, alteration, service or maintenance can cause property damage, injury or death. Read the installation, operating and maintenance instructions thoroughly before installing or servicing this equipment.

CROWN FOOD SERVICE EQUIPMENT

 A Middleby Company

70 Oakdale Road, Downsview (Toronto) Ontario, Canada, M3N 1V9

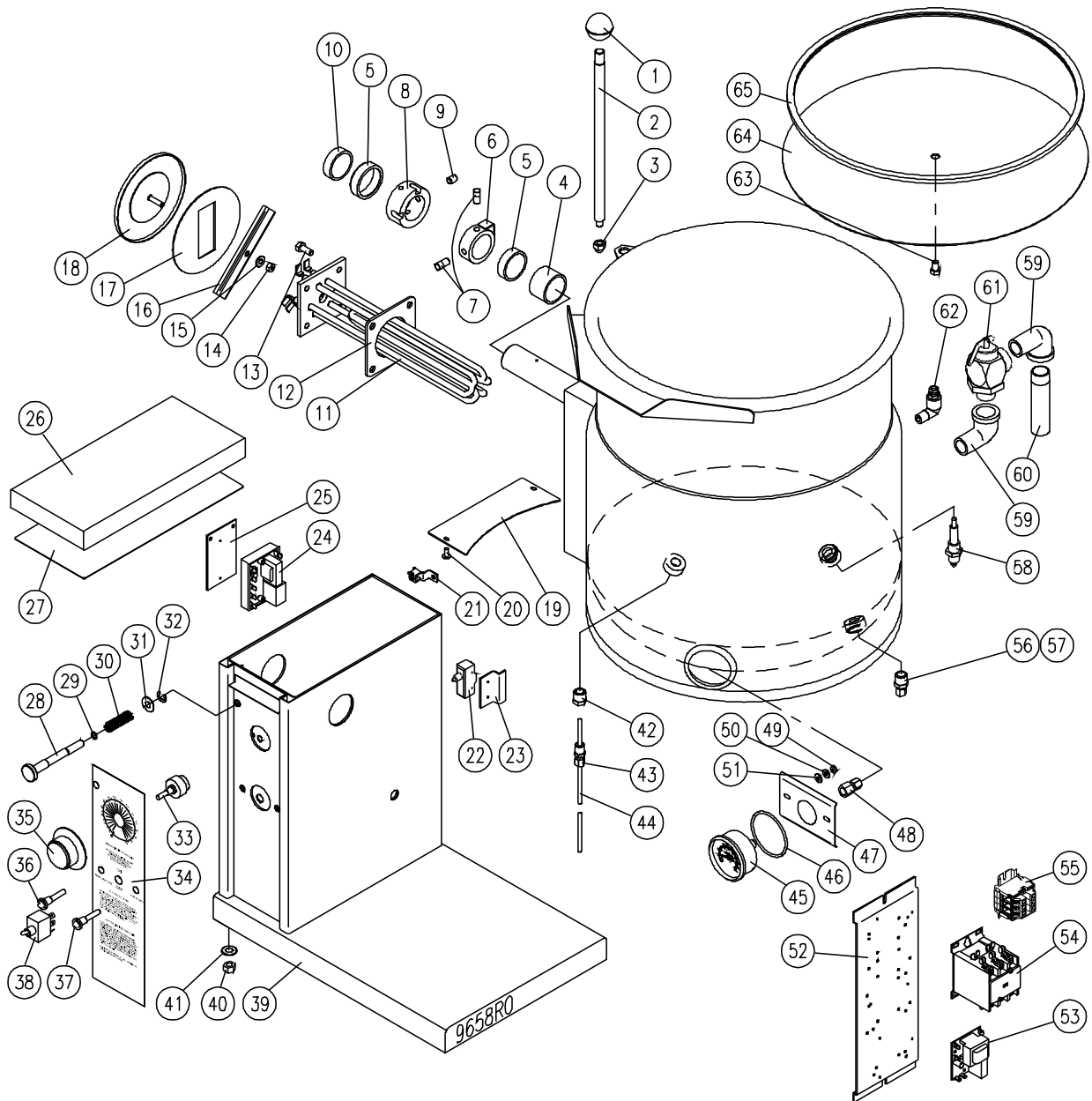
Telephone: 919-762-1000 www.crownsteamgroup.com

Printed in Canada



PARTS LIST, SELF-GENERATING STEAM JACKETED COUNTER TILTING KETTLES,
 EC-6TW-L, EC-10TW-L, EC-12TW-L

FIGURE 1



PARTS LIST, SELF-GENERATING STEAM JACKETED COUNTER TILTING KETTLES,
 EC-6TW-L, EC-10TW-L, EC-12TW-L

FIGURE 1

<u>ITEM</u>	<u>PART NO.</u>	<u>DESCRIPTION</u>	<u>QUANTITY</u>	
			<u>EC-6TW-L</u>	<u>EC-10TW-L</u> <u>EC-12TW-L</u>
1.	2-KB01	Red Handle Knob	1	1
2.	8-2020	Tilt Handle	1	1
3.	9031-7	Acorn Nut, 3/8" - 16 UNC	1	1
4.	3412-2	Bearing	1	1
5.	3415-1	Trunnion Bushing Housing	2	2
6.	3546-1	Actuating Collar Assembly	1	1
7.	9025-1	Set Screw	2	2
8.	7011-1	Cam Collar	1	1
9.	9061-11	Set Screw, 3/8-16 UNC	1	1
10.	8-6030	Bearing	1	1
**	11. 7-5015	Heating Element, 7.5 kW, 208V	1	
	7-5016	Heating Element, 7.5 kW, 380/220V	1	
	7-5017	Heating Element, 7.5 kW, 416/240V	1	
	7-5018	Heating Element, 7.5 kW, 480V	1	
	2348-1	Heating Element, 7.5 kW, 600V	1	
	7-5019	Heating Element, 12 kW, 208V		1
	7-5020	Heating Element, 12 kW, 380/220V		1
	7-5021	Heating Element, 12 kW, 416/240V		1
	7-5022	Heating Element, 12 kW, 480V		1
	9-3298-1	Heating Element, 12 kW, 600V		1

PARTS LIST, SELF-GENERATING STEAM JACKETED COUNTER TILTING KETTLES,
 EC-6TW-L, EC-10TW-L, EC-12TW-L

FIGURE 1

<u>ITEM</u>	<u>PART NO.</u>	<u>DESCRIPTION</u>	<u>QUANTITY</u>	
			<u>EC-6TW-L</u>	<u>EC-10TW-L</u> <u>EC-12TW-L</u>
*	M93BRB-1032-38	Element Terminal Screw	6	6
**	12. 5984-1	Element Gasket	1	
	5986-1	Element Gasket		1
	13. M50S-51618-34	Hex HD Screw, 5/16-18 UNC x 3/4 Lg.	4	4
*	S05N-516	Split Lock Washer, 5/16	4	4
*	F105N-516	Flat Washer, 5/16	4	4
	14. 9029-1	Hex Nut, 1/4" - 20 UNC	1	1
	15. I01X-14	Tooth Washer, 1/4"	1	1
	16. 4983-1	Element Access Door Channel Brace	1	1
	17. 4605-1	Gasket	1	1
	18. 6570-1	Element Access Cover Assembly	1	1
**	19. 3400-1	Trunnion Box Bottom Cover	1	
	3438-1	Trunnion Box Bottom Cover		1
*	4922-1	Trunnion Box Bottom Gasket	1	
*	4922-2	Trunnion Box Bottom Gasket		1
	20. M33S-1032-12	Truss Slotted HD Screw #10-32 UNF x 1/2 Lg.	2	2
	21. 4-70EU	Ground Lug	1	1
	22. 4-M605	Microswitch	1	1
	23. 3408-1	Microswitch Bracket	1	1
	24. 4174-1	Temperature Control	1	1
	25. 4620-1	Mounting Plate	1	1

PARTS LIST, SELF-GENERATING STEAM JACKETED COUNTER TILTING KETTLES,
 EC-6TW-L, EC-10TW-L, EC-12TW-L

FIGURE 1

<u>ITEM</u>	<u>PART NO.</u>	<u>DESCRIPTION</u>	<u>QUANTITY</u>	
			<u>EC-6TW-L</u>	<u>EC-10TW-L</u> <u>EC-12TW-L</u>
26.	3397-1	Console Top Cover	1	1
27.	3745-1	Console Cover Gasket	1	1
28.	4608-1	Locking Pin Sub-Assembly	1	1
29.	2-011R	O-Ring Seal	1	1
30.	4623-1	Compression Spring	1	1
31.	1-W3S7	Flat Washer, 3/8 ID x 7/8 OD	2	2
32.	1-XR33	External Retaining Ring	1	1
33.	5517-1	Potentiometer c/w Wires and Push on Terminals	1	1
**	34.	8723-1	1	
		Control Panel Decal		1
35.	4-TD02	Knob	1	1
36.	4661-4	Pilot Light, Red, 250V, Temp.	1	1
37.	4661-5	Pilot Light, Amber, 250V, Low Water	1	1
38.	9110-1	Toggle Switch DPST, 250 Vac, 6A	1	1
39.	8725-1	Base Sub-Assembly	1	1
40.	9029-3	Hex Nut, 3/8-16 UNC	5	5
41.	F01X-38	Flat Washer, 3/8"	5	5
42.	3-110CB	Brush Bushing, 3/8 MPT - 1/4 FPT	1	1
43.	3-683B	Brass Connector, 3/16 C x 1/4 MPT	1	1
44.	4309-1	RTD Sensor Probe Assembly	1	1

PARTS LIST, SELF-GENERATING STEAM JACKETED COUNTER TILTING KETTLES,
 EC-6TW-L, EC-10TW-L, EC-12TW-L

FIGURE 1

<u>ITEM</u>	<u>PART NO.</u>	<u>DESCRIPTION</u>	<u>QUANTITY</u>		
			<u>EC-6TW-L</u>	<u>EC-10TW-L</u> <u>EC-12TW-L</u>	
45.	4967-1	Pressure Gauge, 100 PSI	1	1	
46.	2-230R	O-Ring	1	1	
47.	3407-1	Pressure Gauge Plate	1	1	
48.	3-664B	Connector, Brass, 1/4 C x 1/4 FPT	1	1	
49.	9029-32	Hex Nut, #10-32 UNF	2	2	
50.	F01X-10	Flat Washer, #10	2	2	
51.	S01X-10	Split Lock Washer	2	2	
52.	3402-2	Component Mounting Bracket	1	1	
53.	3974-2	Liquid Level Control, 100 kOhm, 240V, 60 Hz	1	1	
**	54.	9348-208	Contactor, 3 Pole, 50A (208- 240V)	2	2
			Contactor, 3 Pole, 50A (380- 600V)	1	1
**	55.	6161-3	Modular Terminal Assembly, 3 Pole, (208-240V)	1	1
		Includes following parts:			
		9374-1	Modular Terminal, Grey	3	3
		9375-1	End Plate	1	1
		9369-1	End Clamp	2	2
		9368-079	Mounting Rail	1	1
**	55.	9390-3	Terminal Block Assy, 3 Pole, (380-600V)	1	1

PARTS LIST, SELF-GENERATING STEAM JACKETED COUNTER TILTING KETTLES,
EC-6TW-L, EC-10TW-L, EC-12TW-L

FIGURE 1

<u>ITEM</u>	<u>PART NO.</u>	<u>DESCRIPTION</u>	<u>QUANTITY</u>	
			<u>EC-6TW-L</u>	<u>EC-10TW-L</u> <u>EC-12TW-L</u>
		Includes the following parts:		
	9391-1	Modular Terminal	3	3
	9392-1	End Plate	1	1
	9393-1	End Clamp	2	2
	9394-065	Mounting Rail	1	1
**	55.	9390-4N Terminal Block Assy, 3 Pole with Neutral, 380/220V & 415/240V	1	1
		Includes the following parts:		
	9391-1	Modular Terminal	3	3
	9391-2	Modular Terminal, Blue	1	1
	9392-1	End Plate	1	1
	9393-1	End Clamp	2	2
	9394-065	Mounting Rail	1	1
	56.	3-684C Connector, Brass, 1/4 C x 3/8 MPT	1	1
**	57.	8-3149 Copper Tubing, 1/4		1
		8-3148 Copper Tubing, 1/4	1	
	58.	4-LLP1 Low Level Probe	1	1
	59.	9012-4P Street Elbow, 90°, 3/4" NPT	2	2
	60.	5184-1 Relief Valve Extension	1	1
	61.	3-SRV9-1 Safety Relief Valve, 50 PSI	1	1
	62.	3-AV01 Air Vent Assembly	1	1
	63.	M50S-51618-12 Hex HD Screw, 5/16-18 UNC x 1/2 Lg.	1	1

PARTS LIST, SELF-GENERATING STEAM JACKETED COUNTER TILTING KETTLES,
EC-6TW-L, EC-10TW-L, EC-12TW-L

FIGURE 1

<u>ITEM</u>	<u>PART NO.</u>	<u>DESCRIPTION</u>	<u>QUANTITY</u>	
			<u>EC-6TW-L</u>	<u>EC-10TW-L</u> <u>EC-12TW-L</u>
**	64. 3403-1	Bottom Cover	1	
	3440-1	Bottom Cover		1
**	65. 4618-1	Bottom Cover Gasket	1	
	4618-2	Bottom Cover Gasket		1
* **	66. 3404-1	Kettle Top Cover, Optional	1	
	3441-1	Kettle Top Cover, Optional		1
*	67. 4204-8	Wire Harness, Thermostat, Thermalogic	1	1
*	68. 4204-9	Wire Harness, Element to Contactor	1	1
*	69. M50S-51618-114	Hex HD Screw, 5/16 - 18 UNC x 1-1/4	4	4
*	70. F01C-516	Flat Washer, 5/16	4	4
* **	71. 4-T251	Transformer, 380/416V-120V, 50/60 Hz, 100VA	1	1
	4-T255	Transformer, 480V-120V, 60 Hz, 100VA	1	1
	4-T260	Transformer, 600V-120V, 60 Hz, 100VA	1	1
* **	72. 9092-3	Fuse, 250V, 3A (280-240V)	2	2
	9092-3	Fuse, 250V, 3A (380/220V and 415/240V)	1	1
	9001-2	Fuse, 600V, 1/2A (380-600V)	2	2
* **	73. 9068-1	Fuse Holder, 300V, 25A (208- 240V)	2	2

PARTS LIST, SELF-GENERATING STEAM JACKETED COUNTER TILTING KETTLES,
 EC-6TW-L, EC-10TW-L, EC-12TW-L

FIGURE 1

<u>ITEM</u>	<u>PART NO.</u>	<u>DESCRIPTION</u>	<u>QUANTITY</u>	
			<u>EC-6TW-L</u>	<u>EC-10TW-L</u> <u>EC-12TW-L</u>
	9068-1	Fuse Holder, 300V, 25A, (380/220V & 415/240V)	1	1
	9002-1	Fuse Holder, 600V, 30A, (380-600V)	2	2
*	74. 3931-1	Faucet Bracket, Optional	1	1
* NOT SHOWN				
** SELECT AS REQUIRED				