



IMPORTANT FOR FUTURE REFERENCE

Please complete this information and retain this manual for the life of the equipment:

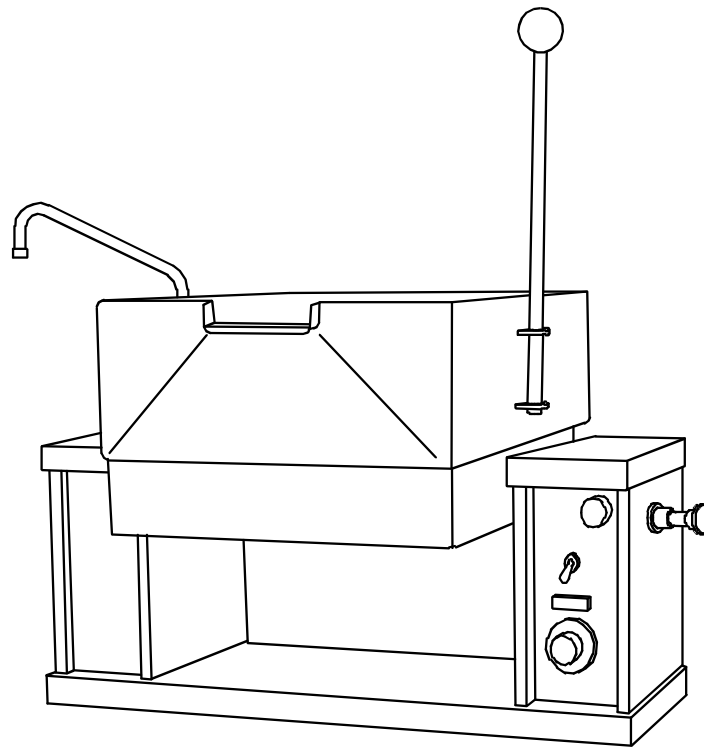
Model #: _____

Serial #: _____

Date Purchased: _____

PARTS LIST


Electric Counter Tilting Skillet ECTS-12



⚠ WARNING

Improper installation, adjustment, alteration, service or maintenance can cause property damage, injury or death. Read the installation, operating and maintenance instructions thoroughly before installing or servicing this equipment.

CROWN FOOD SERVICE EQUIPMENT

 A Middleby Company

70 Oakdale Road, Downsview (Toronto) Ontario, Canada, M3N 1V9

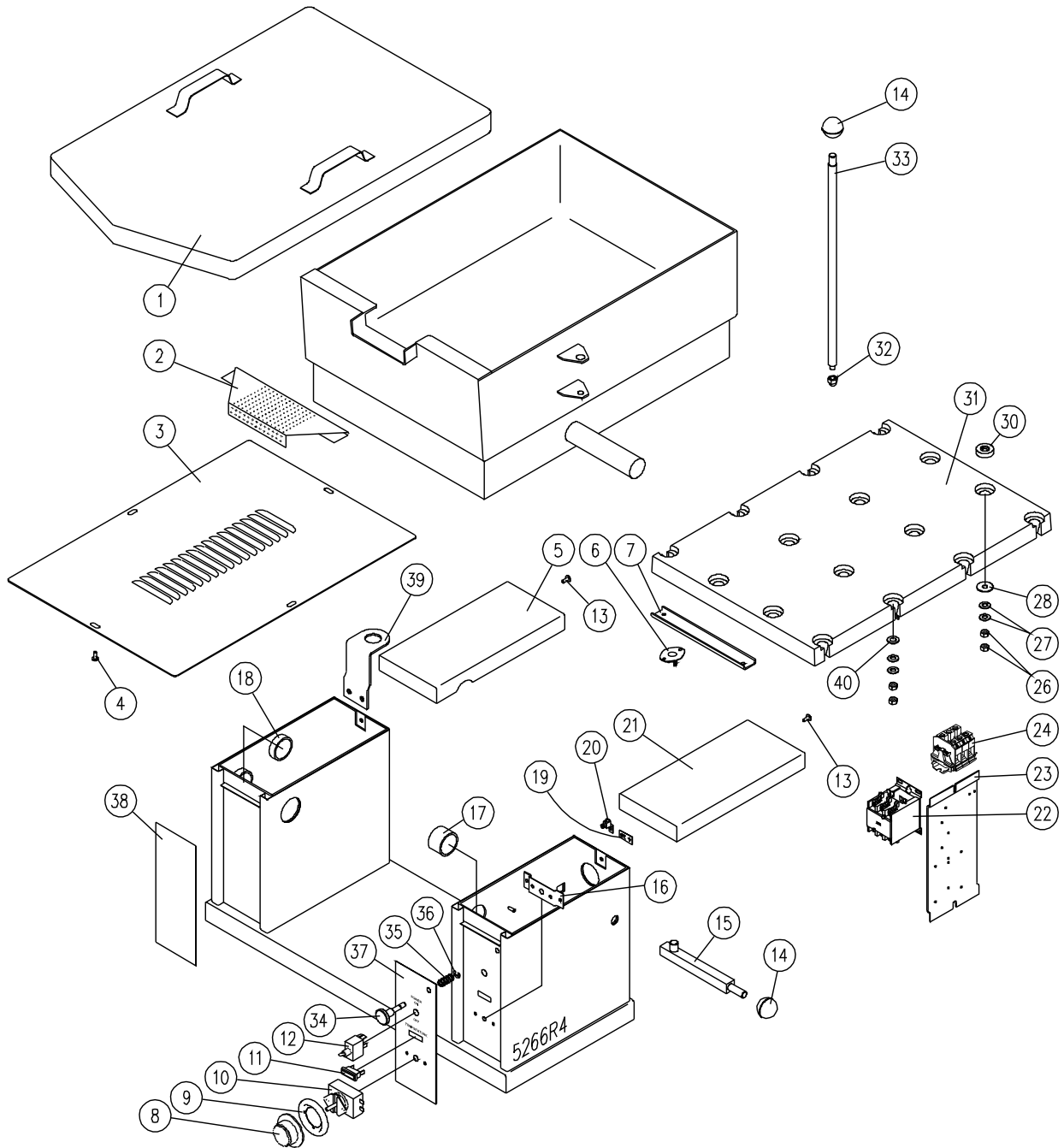
Telephone: 919-762-1000 www.crownsteamgroup.com

Printed in Canada



PARTS LIST, ELECTRIC TILTING SKILLET, MODEL ECTS-12

FIGURE 1



PARTS LIST, ELECTRIC TILTING SKILLET, MODEL ECTS-12

<u>ITEM</u>	<u>PART NO.</u>	<u>DESCRIPTION</u>	<u>QUANTITY</u>	
1.	3059-1	Lift Off Cover	1	
2.	7621-1	Strainer	1	
3.	4172-1	Bottom Cover (9-1003)	1	
4.	M33S-1032-12	Screw 10 - 32 x 1/2	4	
5.	3052-2	Console Cover, Left Hand	1	
6.	4874-1	High-Limit Thermostat	1	
7.	3828-1	Thermostat Bulb Clamp	1	
**	8.	4736-1	Dial (°F)	1
		4737-1	Dial (°C)	1
9.	4-TB05	Bezel	1	
10.	4-TH47	Thermostat	1	
11.	4-PL08	Pilot Light	1	
12.	9110-1	Power Switch	1	
13.	M33S-1032-12	Screw, 10 - 32 x 1/2	2	
14.	2-KB01	Knob	2	
15.	3965-1	Rest Bar	1	
16.	4473-1	Thermostat Mounting Bracket	1	
17.	3968-1	Bearing	2	
18.	3413-1	Bearing	2	
19.	4188-1	Earth I.D. Tag	1	
20.	4-70EU	Ground Lug	1	
21.	3052-1	Console Cover, Right Hand	1	
**	22.	9348-208	Contactora (208, 220, 240V)	2
		9348-208	Contactora (380, 415, 220/380, 240/415, 480, 600V)	1
23.	9-3217	Component Mounting Plate	1	

PARTS LIST, ELECTRIC TILTING SKILLET, MODEL ECTS-12

<u>ITEM</u>	<u>PART NO.</u>	<u>DESCRIPTION</u>	<u>QUANTITY</u>	
**	24.	6161-3	Terminal Block Assembly, 3 Poles, (208V-240V)	1
		Includes the following parts:		
		9374-1	Modular Terminal, Grey	3
		9375-1	End Plate	1
		9369-1	End Clamp	2
		9368-079	Mounting Rail, 79 mm	1
		9390-3	Terminal Block Assembly, 3 Poles (380V-600V)	1
		Includes the following parts:		
		9391-1	Modular Terminal	3
		9392-1	End Plate	1
		9393-1	End Clamp	2
		9394-065	Mounting Rail, 65 mm	1
		9390-4N	Terminal Block Assembly, 4 Poles w/Neutral (380/220V, 415/240V)	1
		Includes the following parts:		
		9391-1	Modular Terminal	3
		9391-2	Modular Terminal, Blue	1
		9392-1	End Plate	1
		9393-1	End Clamp	2
		9394-065	Mounting Rail, 65 mm	1
* **	25A	9092-3	Fuse, 250V, 3A, (208-240V Units)	2
		9092-3	Fuse, 250V, 3A (380/220V Units)	1
		9001-2	Fuse, 600V, 1/2A (380-600V Units)	2
* **	25B	9068-1	Fuse Holder, 300V, (208 - 240V Units)	2

PARTS LIST, ELECTRIC TILTING SKILLET, MODEL ECTS-12

<u>ITEM</u>	<u>PART NO.</u>	<u>DESCRIPTION</u>	<u>QUANTITY</u>	
	9068-1	Fuse Holder, 300V, 25A, (380/220V & 415/240V Units)	1	
	9002-1	Fuse Holder, 600V, 30A (380 - 600V Units)	2	
26.	HN01X-51618	Hex Nut, 5/16 - 18	32	
27.	9063-1	Bellville Washer	32	
28.	9078-1	Flat Washer, 5/16 x 1" OD	8	
* **	29.	4-T251	Transformer, 380-220, 50/60 Hz, 100VA	1
		4-T251	Transformer, 415-220, 50/60 Hz, 100VA	1
		4-T255	Transformer, 480-240, 60 Hz, 100VA	1
		4-T260	Transformer, 600-240, 60 Hz, 100VA	1
30.	3599-1	Spacer	16	
**	31.	7-70580	Element Block, 9 kW, 208V	1
		7-70582	Element Block, 9 kW, 220 (380)V	1
		7-70581	Element Block, 9 kW, 240 (415)V	1
		7-70583	Element Block, 9 kW, 480V	1
		7-70585	Element Block, 9 kW, 347 (600)V	1
32.	ANL05-3816	Acorn Nut	1	
33.	3589-1	Tilt Handle	1	
34.	3964-1	Locking Knob	1	
35.	9320-1	Compression Spring	1	
36.	9047-31	External Retaining Ring, 5/16	1	
37.	3174-1	Operating Console Decal	1	
38.	7155-1	Left Console Decal	1	
*	39.	3931-1	Faucet Bracket (Optional)	1
	40.	F201X-38	Flat Washer, 3/8	8

* NOT SHOWN.

** SELECT AS REQUIRED.