



**IMPORTANT FOR FUTURE REFERENCE**

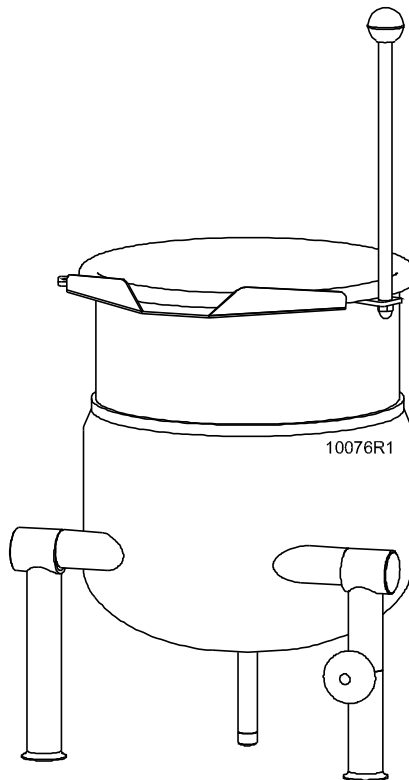
Please complete this information and retain this manual for the life of the equipment:

Model #: \_\_\_\_\_

Serial #: \_\_\_\_\_

Date Purchased: \_\_\_\_\_

**PARTS LIST**  
**Direct Steam Counter Tilting Kettles**  
**DC-6 DC-10 DC-12 DC-20**



**WARNING**

Improper installation, adjustment, alteration, service or maintenance can cause property damage, injury or death. Read the installation, operating and maintenance instructions thoroughly before installing or servicing this equipment.

**CROWN FOOD SERVICE EQUIPMENT**

 A Middleby Company

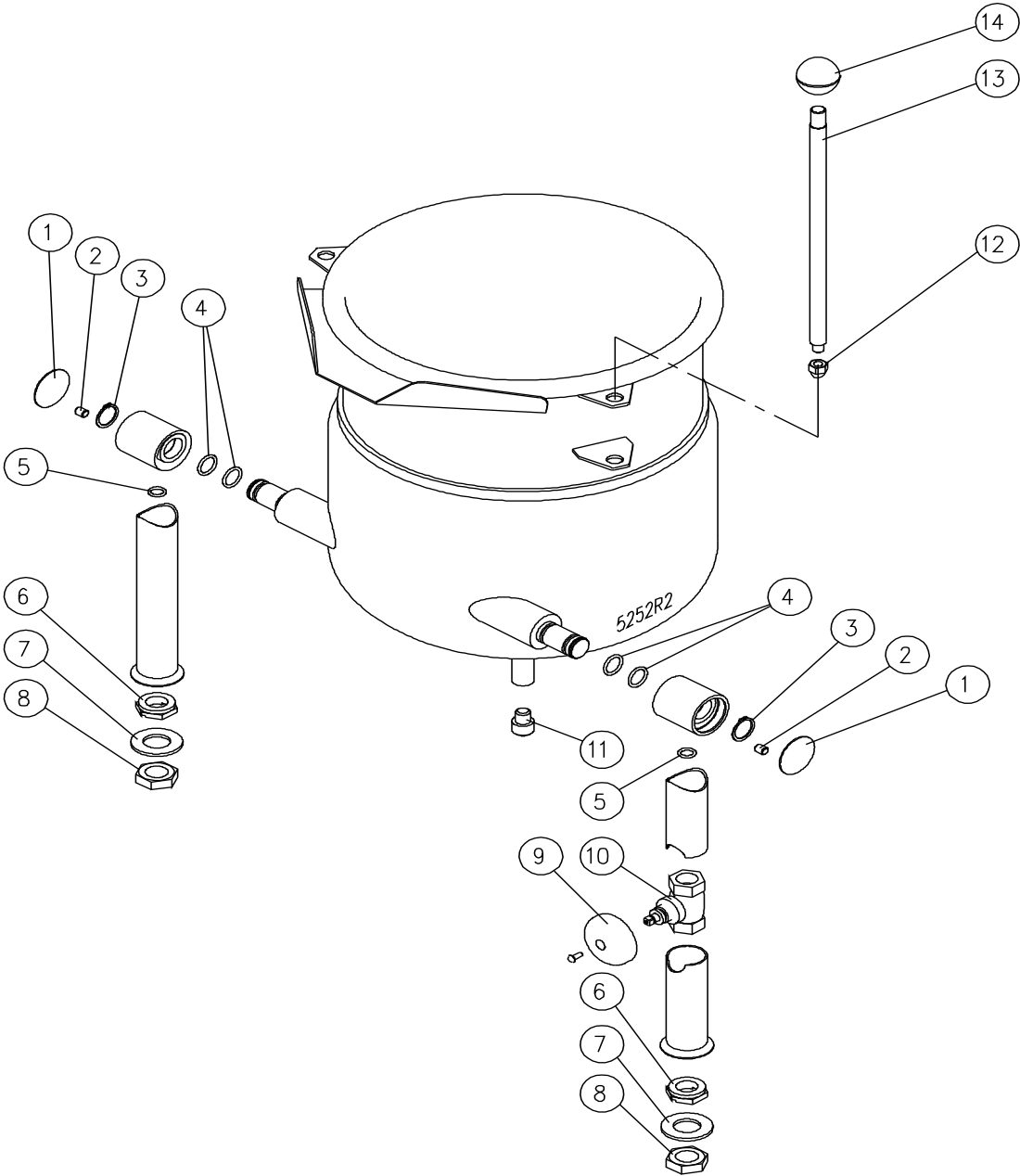
70 Oakdale Road, Downsview (Toronto) Ontario, Canada, M3N 1V9

Telephone: 919-762-1000 [www.crownsteamgroup.com](http://www.crownsteamgroup.com)

Printed in Canada



PARTS LIST, DIRECT STEAM KETTLES, MODELS: DC-6, DC-10, DC-12, DC-20



PARTS LIST, DIRECT STEAM KETTLES, MODELS: DC-6, DC-10, DC-12, DC-20

<u>ITEM</u>	<u>PART NUMBER</u>	<u>DESCRIPTION</u>	<u>QUANTITY</u>
1.	3819-1	Trunnion Cap	2
2.	9061-9	Set Screw, 5/16 -18 x 3/8"	2
3.	9047-87	Retaining Clip	2
4.	2-115R	"O" Ring	4
5.	2-014R	"O" Ring	2
6.	3796-1	Brass Nut, 1/2 - 14"	2
7.	2-W0C7	Washer	2
8.	3-D034	Nut, 1/2 - 14 NPS	2
9.	3-SC06	Knob	1
10.	3-SC11	Valve	1
11.	3520-1	Nylon Foot	1
12.	9031-7	Acorn Nut 3/8 - 16	1
** 13.	3589-1	Handle, 6 - 12 Gallon	1
	5280-1	Handle, 20 Gallon	1
14.	2-KB01	Knob	1
** 15.	3799-1	Condensate Leg Assembly, 6 Gallon	1
	3799-2	Condensate Leg Assembly, 10, 12 Gallon	1
	6319-1	Condensate Leg Assembly, 20 Gallon	1
** 16.	3800-1	Steam In Leg Assembly, 6 Gallon	1
	3800-2	Steam In Leg Assembly, 10, 12 Gallon	1
	6320-1	Steam In Leg Assembly, 20 Gallon	1
* 17.	9085-1	"O" Ring Lube, 2 Grams	1

\* NOT SHOWN.

\*\* SELECT AS REQUIRED.