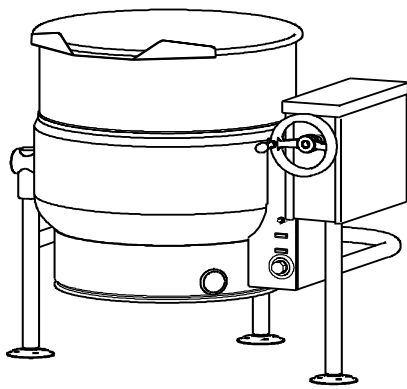




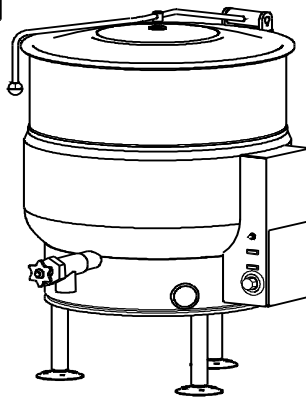
IMPORTANT FOR FUTURE REFERENCE
 Please complete this information and retain this manual for the life of the equipment:

Model #: _____
 Serial #: _____
 Date Purchased: _____

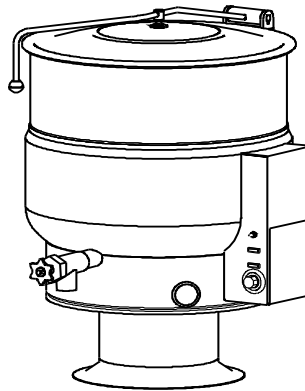
PARTS LIST
Self ; enerating Steam ? ettles
9 @H''9 @''9D



ELT



EL



EP

WARNING

Improper installation, adjustment, alteration, service or maintenance can cause property damage, injury or death. Read the installation, operating and maintenance instructions thoroughly before installing or servicing this equipment.

CROWN FOOD SERVICE EQUIPMENT

A Middleby Company

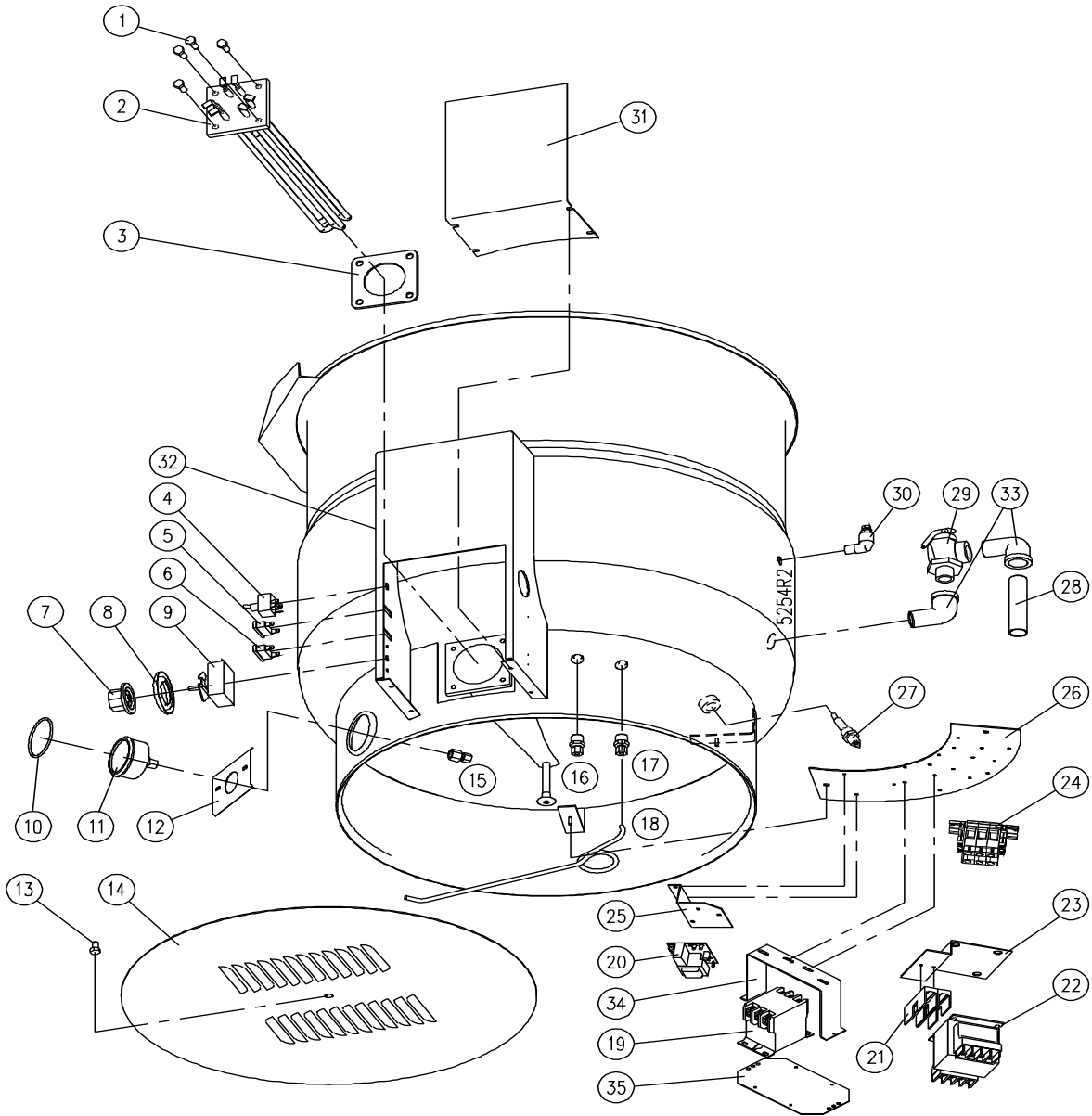
70 Oakdale Road, Downsview (Toronto) Ontario, Canada, M3N 1V9
 Telephone: 919-762-1000 www.crownsteamgroup.com

Printed in Canada



PARTS LIST, SELF-GENERATING STEAM KETTLES, MODELS: ELT, EL, EP

FIGURE 1



PARTS LIST, SELF-GENERATING STEAM KETTLES, MODELS: ELT, EL, EP

FIGURE 1

<u>ITEM</u>	<u>PART NO.</u>	<u>DESCRIPTION</u>	<u>QUANTITY</u>					
			<u>20</u>	<u>30</u>	<u>40</u>	<u>60</u>	<u>80</u>	<u>100</u>
1	M50S-51618-34	Hex Head Screw, 5/16 -18 UNC x 3/4 Lg.	4	4	4	4	4	4
** 2	7-5019	Heating Element, 208V, 12 kW	1					
	7-5020	Heating Element, 220/380V, 12 kW	1					
	7-5021	Heating Element, 240/415V, 12 kW	1					
	7-5022	Heating Element, 480V, 12 kW	1					
	9-3298-1	Heating Element, 600V, 12 kW	1					
	7-5023	Heating Element, 208V, 15 kW		1				
	7-5024	Heating Element, 220/380V, 15 kW		1				
	7-5025	Heating Element, 240/415V, 15 kW		1				
	7-5026	Heating Element, 480V, 15 kW		1				
	9-3298-2	Heating Element, 600V, 15 kW		1				
	7-5027	Heating Element, 208V, 18 kW			1	1	1	
	7-5028	Heating Element, 380/220V, 18 kW			1	1	1	
	7-5029	Heating Element, 415/240V, 18 kW			1	1	1	
	7-5030	Heating Element, 480V, 18 kW			1	1	1	

PARTS LIST, SELF-GENERATING STEAM KETTLES, MODELS: ELT, EL, EP

<u>ITEM</u>	<u>PART NO.</u>	<u>DESCRIPTION</u>	<u>QUANTITY</u>					
			<u>20</u>	<u>30</u>	<u>40</u>	<u>60</u>	<u>80</u>	<u>100</u>
** 2	9-3298	Heating Element, 600V, 18 kW			1	1	1	
	7-5031	Heating Element, 208V, 24 kW			1	1	1	1
	7-5037	Heating Element, 220/380V, 24 kW			1	1	1	1
	7-5032	Heating Element, 240/415V, 24 kW			1	1	1	1
	7-5033	Heating Element, 480V, 24 kW			1	1	1	1
	9-3299	Heating Element, 600V, 24 kW			1	1	1	1
	7-5034	Heating Element, 208V, 33 kW				1	1	1
	7-5038	Heating Element, 220/380V, 33 kW				1	1	1
	7-5035	Heating Element, 240/415V, 33 kW				1	1	1
	7-5036	Heating Element, 480V, 33 kW				1	1	1
	2348-2	Heating Element, 600V, 33 kW				1	1	1
3	5986-1	Element Gasket	1	1	1	1	1	1
4	9110-1	Toggle Switch, DPST, 250 Vac, 6A	1	1	1	1	1	1
5	4996-5	Pilot Light - Amber, 250V, Low Water	1	1	1	1	1	1
6	4996-5	Pilot Light - Amber, 250V, Temperature	1	1	1	1	1	1
** 7	6311-1	Knob Assembly (1-10)	1	1	1	1	1	1
	5975-2	Knob Assembly (°F)	1	1	1	1	1	1

PARTS LIST, SELF-GENERATING STEAM KETTLES, MODELS: ELT, EL, EP

<u>ITEM</u>	<u>PART NO.</u>	<u>DESCRIPTION</u>	<u>QUANTITY</u>					
			<u>20</u>	<u>30</u>	<u>40</u>	<u>60</u>	<u>80</u>	<u>100</u>
	5976-2	Knob Assembly (°C)	1	1	1	1	1	1
8.	4-TB05	Bezel	1	1	1	1	1	1
9.	9126-1	Temperature Controller	1	1	1	1	1	1
10	2-230R	"O" Ring, 2 ¾ OD x 2-1/2 ID x 1/8 Thick.	1	1	1	1	1	1
11	4967-1	Pressure Gauge	1	1	1	1	1	1
12	3407-1	Pressure Gauge Mounting Plate	1	1	1	1	1	1
13	M50S-51618-58	Hex HD Screw, 5/16 - 18 UNC x 5/8 Lg.	1	1	1	1	1	1
** 14	8-2077	Bottom Cover, (3041-7), ELT-20	1					
	8-2078	Bottom Cover, (3041-8), ELT-30		1				
	8-2079	Bottom Cover, (3041-9), ELT-40			1			
	8-2080	Bottom Cover, (3041-10), ELT-60				1		
	8-2081	Bottom Cover, (3041-11), ELT-80					1	
	8-2082	Bottom Cover, (3041-12), ELT-100						1
	8-2077-1	Bottom Cover, (3041-1), EL-20	1					
	8-2078-1	Bottom Cover, (3041-2), EL-30		1				
	8-2079-1	Bottom Cover, (3041-3), EL-40			1			
	8-2080-1	Bottom Cover, (3041-4), EL-60				1		

PARTS LIST, SELF-GENERATING STEAM KETTLES, MODELS: ELT, EL, EP

<u>ITEM</u>	<u>PART NO.</u>	<u>DESCRIPTION</u>	<u>QUANTITY</u>					
			<u>20</u>	<u>30</u>	<u>40</u>	<u>60</u>	<u>80</u>	<u>100</u>
	8-2081-1	Bottom Cover, (3041-5), EL-80					1	
	8-2082-2	Bottom Cover, (3041-6), EL-100						1
	7139-1	Bottom Cover, EP-20	1					
	7139-2	Bottom Cover, EP-30		1				
	7139-3	Bottom Cover, EP-40			1			
	7139-4	Bottom Cover, EP-60				1		
	7139-5	Bottom Cover, EP-80					1	
	7139-6	Bottom Cover, EP-100						1
15	3-664B	Connector, Brass, 1/4 C x 1/4 FPT	1	1	1	1	1	1
16	2-686C	Connector, Brass, 3/8 C x 3/8 MPT, Thermostat Probe Fitting	1	1	1	1	1	1
17	3-684C	Connector, Brass, 1/4 C x 3/8 MPT, (Pressure Gauge Kettle Fitting)	1	1	1	1	1	1
18	5514-1	Copper Tube, 1/4 x 26", 20 Gallon	1					
	5514-2	Copper Tube, 1/4 x 28", 30, 40 Gallon		1	1			
	5514-3	Copper Tube, 1/4 x 29", 60 Gallon				1		
	5514-4	Copper Tube, 1/4 x 33", 80 Gallon					1	
18	5514-5	Copper Tube, 1/4 x 35", 100 Gallon						1
** 19	9348-208	Contact, 3 Pole, 50A, (208, 220, 240V) - 12, 15, 18, 24 kW	2	2	2	2	2	2

PARTS LIST, SELF-GENERATING STEAM KETTLES, MODELS: ELT, EL, EP

<u>ITEM</u>	<u>PART NO.</u>	<u>DESCRIPTION</u>	<u>QUANTITY</u>					
			<u>20</u>	<u>30</u>	<u>40</u>	<u>60</u>	<u>80</u>	<u>100</u>
	9348-208	Contactora, 3 Pole, 50A, (380, 415, 480, 600V), 12, 15, 18, 24 kW.	1	1	1	1	1	1
	9349-208	Contactora, 3 Pole, 75A, (208, 220, 240V), 33 kW				2	2	2
	9349-208	Contactora, 3 Pole, 75A, (480, 600V), 33 kW				1	1	1
20	3974-2	Level Control, Direct Acting, 100K OHM	1	1	1	1	1	1
** 21	9002-1	Fuse Holder, 600V, 30A, (380V - 600V)	2	2	2	2	2	2
	9001-2	Fuse, 1/2 Amp., 600V (380V-600V)	2	2	2	2	2	2
	9092-3	Glass Fuse, 250V, 3A (208-240V)	2	2	2	2	2	2
	9068-1	Fuse Holder, 300V, (208-240V), 25A	2	2	2	2	2	2
	9092-3	Glass Fuse, 250V, 3A, (220/380V and 240/415V)	1	1	1	1	1	1
	9068-1	Fuse Holder, 300V Max., 25A, (220/380V and 240/415V)	1	1	1	1	1	1
** 22	4-T251	Transformer, 380-220V, 50/60 Hz, 100VA	1	1	1	1	1	1
	4-T251	Transformer, 415-220V, 50/60 Hz, 100VA	1	1	1	1	1	1
	4-T255	Transformer, 480-240V, 50/60 Hz, 100VA	1	1	1	1	1	1
	4-T260	Transformer, 600-240V, 60 Hz, 100VA	1	1	1	1	1	1
23	5164-1	Transformer and Fuse Bracket	1	1	1	1	1	1

PARTS LIST, SELF-GENERATING STEAM KETTLES, MODELS: ELT, EL, EP

<u>ITEM</u>	<u>PART NO.</u>	<u>DESCRIPTION</u>	<u>QUANTITY</u>					
			<u>20</u>	<u>30</u>	<u>40</u>	<u>60</u>	<u>80</u>	<u>100</u>
** 24	6161-3	Modular Terminal Assy, 3 Pole, (208-600V), Including following parts:	1	1	1	1	1	1
	9374-1	Modular Terminal, Grey	3	3	3	3	3	3
	9375-1	End Plate	1	1	1	1	1	1
	9369-1	End Clamp	2	2	2	2	2	2
	9368-079	Mounting Rail, 79 mm	1	1	1	1	1	1
	6161-4N	Modular Terminal Assy, 4 Pole, (380/220V - 415/240V) Includes Following Parts:	1	1	1	1	1	1
	9374-1	Modular Terminal, Grey	3	3	3	3	3	3
	9374-2	Modular Terminal, Blue	1	1	1	1	1	1
	9375-1	End Plate	1	1	1	1	1	1
	9369-1	End Clamp	2	2	2	2	2	2
	9368-098	Mounting Rail, 98 mm	1	1	1	1	1	1
25	5885-1	Level Control Bracket	1	1	1	1	1	1
** 26	8-2070	Component Mounting Panel (2781), 20 Gallon	1					
	8-2071	Component Mounting Panel (2783), 30 Gallon		1				
	8-2072	Component Mounting Panel (2782), 40 Gallon			1			
	8-2073	Component Mounting Panel (2784), 60 Gallon				1		
** 26	8-2074	Component Mounting Plate (2785), 80, 100 Gallon					1	1
27	4-LLP1	Probe, 2-1/16 Long	1	1	1	1	1	1
28	5184-1	Extension, Relief Valve	1	1	1	1	1	1

PARTS LIST, SELF-GENERATING STEAM KETTLES, MODELS: ELT, EL, EP

<u>ITEM</u>	<u>PART NO.</u>	<u>DESCRIPTION</u>	<u>QUANTITY</u>					
			<u>20</u>	<u>30</u>	<u>40</u>	<u>60</u>	<u>80</u>	<u>100</u>
29	3-SRV9-1	Safety Relief Valve, 50 psi	1	1	1	1	1	1
30	3-AV01	Air Vent Assembly	1	1	1	1	1	1
** 31	6880-1	Control Housing Cover, 20 Gallon	1					
	6880-2	Control Housing Cover, 30 Gallon		1				
	6880-3	Control Housing Cover, 40 Gallon			1			
	6880-4	Control Housing Cover, 60 Gallon				1		
	6880-5	Control Housing Cover, 80 Gallon					1	
	6880-6	Control Housing Cover, 100 Gallon						1
** 32	6593-3	Control Panel Decal	1					
	6561-3	Control Panel Decal		1				
	6561-4	Control Panel Decal			1			
	6561-5	Control Panel Decal				1		
	6561-6	Control Panel Decal					1	
	6561-7	Control Panel Decal						1
33	9012-4P	Street Elbow 90°, Black Iron, 150 #, 3/4" NPT	2	2	2	2	2	2
34	8234-1	Adapter Plate Bracket	1	1	1	1	1	1
35	6042-1	Adapter Plate	1	1	1	1	1	1

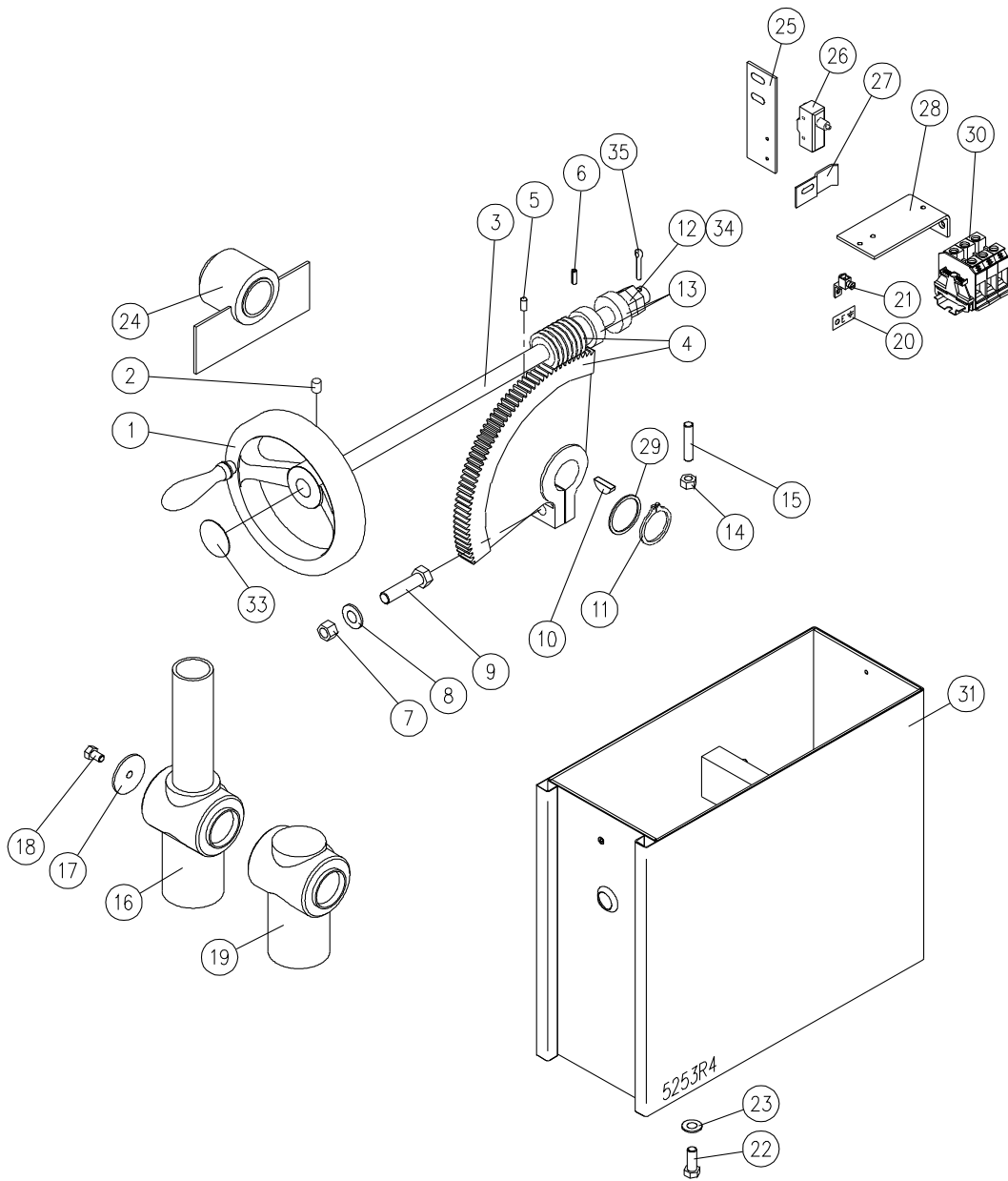
* NOT SHOWN.

** SELECT AS REQUIRED.

PARTS LIST, SELF-GENERATING STEAM KETTLES, MODELS: ELT, EL, EP

TILT CONSOLE PARTS - ELT

FIGURE 2



PARTS LIST, SELF-GENERATING STEAM KETTLES, MODELS: ELT, EL, EP

FIGURE 2

<u>ITEM</u>	<u>PART NUMBER</u>	<u>DESCRIPTION</u>	<u>QUANTITY</u>
1.	8-2054	Hand Wheel	1
2.	1-72U4	Set Screw 3/8 -16 x 1/2"	1
3.	6738-2	Tilt Shaft	1
4.	5393-1	Segment Gear & Worm Gear Kit (Includes Items 5 to 11)	
5.	1-52U4	Set Screw, 1/4 - 20 x 1/2	1
6.	2-T6U5	Tension Pin, 3/16 Diameter x 1-1/4" L	1
7.	1-99C0	Nut, 1/2 - 13	1
8.	1-W4C0	Lock Washer, 1/2"	1
9.	2-96C8	Bolt, 1/2 - 13 x 2"	1
10.	1-K8U8	Key Woodruff	1
11.	1-R315	Retaining Ring	1
12.	2-HN66	Jam Nut	2
13.	5327-1	Thrust Bearing	2
14.	1-79C0	Nut, 3/8 - 16	1
15.	2-72U7	Set Screw, 3/8 - 16 x 1-3/4"	1
16.	8-2085EE	Outbore Bearing complete with extension - used on spring assist covers only - specify model.	1
17.	9-3197	Stainless Steel Washer	1
18.	9-3198	Bolt	1
19.	8-2085E	Outbore Bearing	1
20.	4188-1	Ground ID Tag	1
21.	4-70EU	Ground Lug	1
22.	1-75C8	Bolt, 3/8-16 x 1"	4
23.	1-70C0	Lock Washer, 3/8"	4

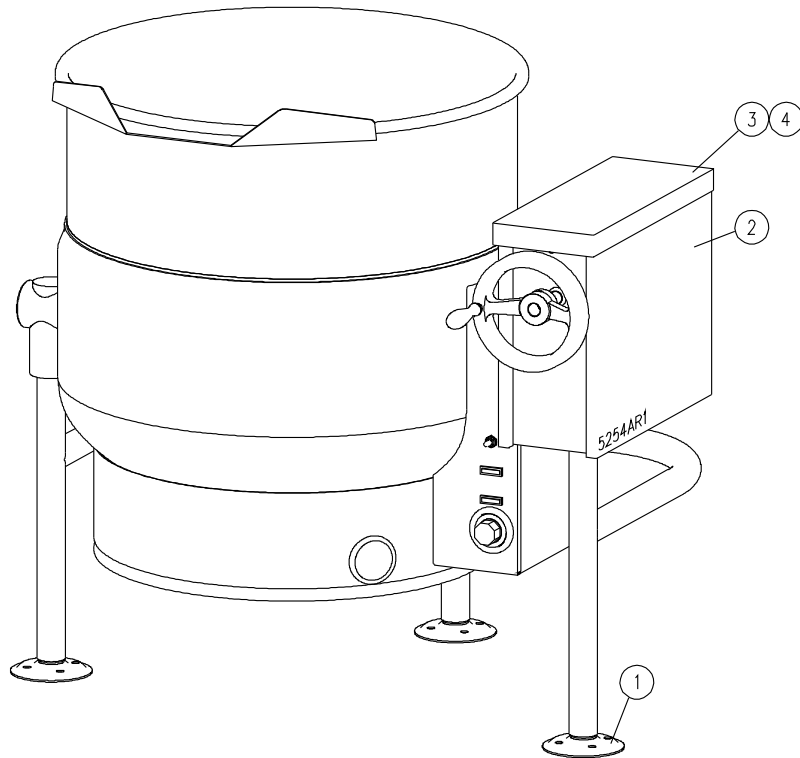
PARTS LIST, SELF-GENERATING STEAM KETTLES, MODELS: ELT, EL, EP

<u>ITEM</u>	<u>PART NUMBER</u>	<u>DESCRIPTION</u>	<u>QUANTITY</u>	
24.	8-2090	Block Bearing	1	
25.	4653-1	Micro Switch Bracket	1	
26.	4-M605	Micro Switch	1	
27.	4359-1	Micro Switch Activator Bracket	1	
28.	4214-1	Terminal Block Bracket	1	
29.	5259-1	Spacer, 1/16" Thick	As Required	
**	30.	6161-3	Modular Terminal Assembly, 3 Pole, (208 - 600V)	1
		Includes the following parts:		
	9374-1	Modular Terminal, Grey	3	
	9375-1	End Plate	1	
	9369-1	End Clamp	1	
	9368-079	Mounting Rail, 79 mm	1	
	6161-4N	Modular Terminal Assembly, 3 Pole with Neutral, (380/220V), 415/240V	1	
		Includes the following parts:		
	9374-1	Modular Terminal, Grey	3	
	9374-2	Modular Terminal, Blue	1	
	9375-1	End Plate	1	
	9369-1	End Clamp	2	
	9368-098	Mounting Rail, 98 mm	1	
	31.	2960-1	Console Assembly, ELT	1
*	32.	1-34S4	Screw, Console Cover, 10 - 32 x 1/2"	1
*	33.	5608-1	Decal - Tilt	1
	34.	5328-1	Washer, 3/4 ID x 1-1/4" OD	1
	35.	5329-1	Cotter Pin S.S. 3/16" x 1" L.	1

* NOT SHOWN

PARTS LIST, SELF-GENERATING STEAM KETTLES, MODELS: ELT, EL, EP

FIGURE 3



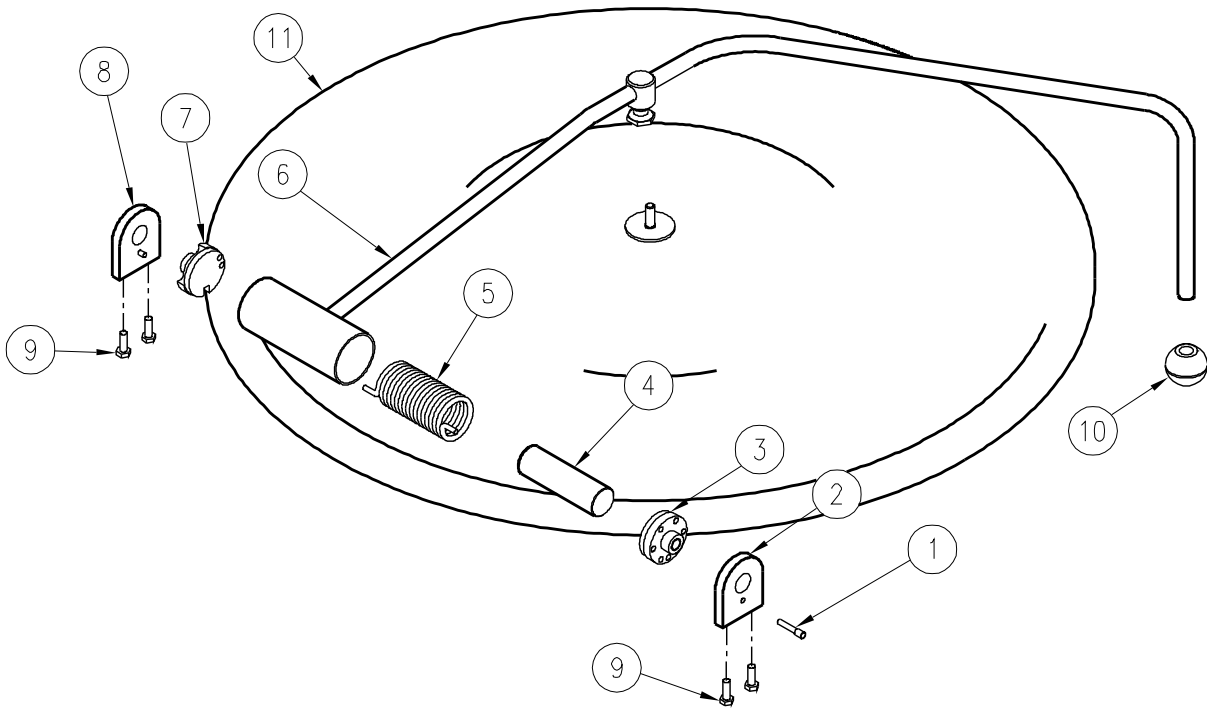
PARTS LIST

FIGURE 3

<u>ITEM</u>	<u>PART NUMBER</u>	<u>DESCRIPTION</u>	<u>QUANTITY</u>
1.	8-1308	Adjustable Flanged Foot	3
2.	2960-1	Console Box	1
3.	3534-1	Console Cover	1
4.	M33S-1032-12	Screw, 10 - 32 x 1/2"	1

FIGURE 4

SPRING ASSIST HINGE ASSEMBLY



4991BR4

PARTS LIST, SELF-GENERATING STEAM KETTLES, MODELS: ELT, EL, EP

FIGURE 4

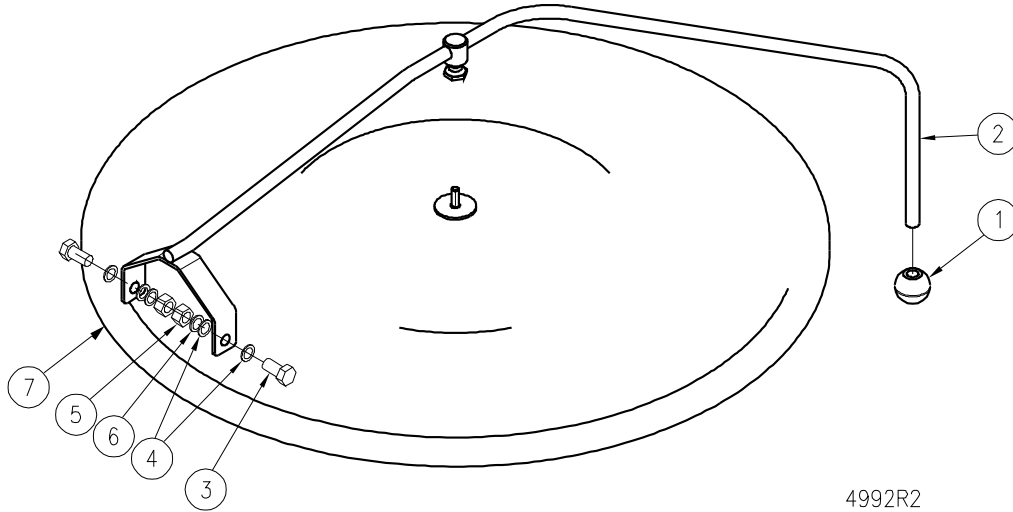
<u>ITEM</u>	<u>PART NO.</u>	<u>DESCRIPTION</u>	<u>QUANTITY</u>
	9-3185	HINGE ASSEMBLY	
1.	8-2029	Lock Pin	1
2.	8-2035L	End Lock Plate	1
3.	5428-1	Stationary Disc	1
4.	5430-1	Core	1
5.	8-2026	Spring	1
**	8-2028	Handle Assembly, 20 Gallon Kettle	1
	8-2028-1	Handle Assembly, 30 Gallon Kettle	1
	8-2028-2	Handle Assembly, 40 Gallon Kettle	1
	8-2027	Handle Assembly, 60 Gallon Kettle	1
	8-2027-1	Handle Assembly, 80 Gallon Kettle	1
	8-2027-2	Handle Assembly, 100 Gallon Kettle	1
7.	5429-1	Rotary Disc	1
8.	8-2021	End Stop Plate	1
9.	1-56S6	Cap Screw, 1/4 - 20 x 3/4, Stainless Steel	4
**	2-KB01	Knob, Red	1
	9147-1	Knob, Black	1
**	8-2003	Covers, 20 Gallon Kettle	1
	8-2004	Covers, 30 Gallon Kettle	1
	8-2005	Covers, 40 Gallon Kettle	1
	8-2006	Covers, 60 Gallon Kettle	1
	8-2007	Covers, 80 Gallon Kettle	1
	8-2008	Covers, 100 Gallon Kettle	1

** SELECT AS REQUIRED.

PARTS LIST, SELF-GENERATING STEAM KETTLES, MODELS: ELT, EL, EP

FIGURE 5

HINGE ASSEMBLY



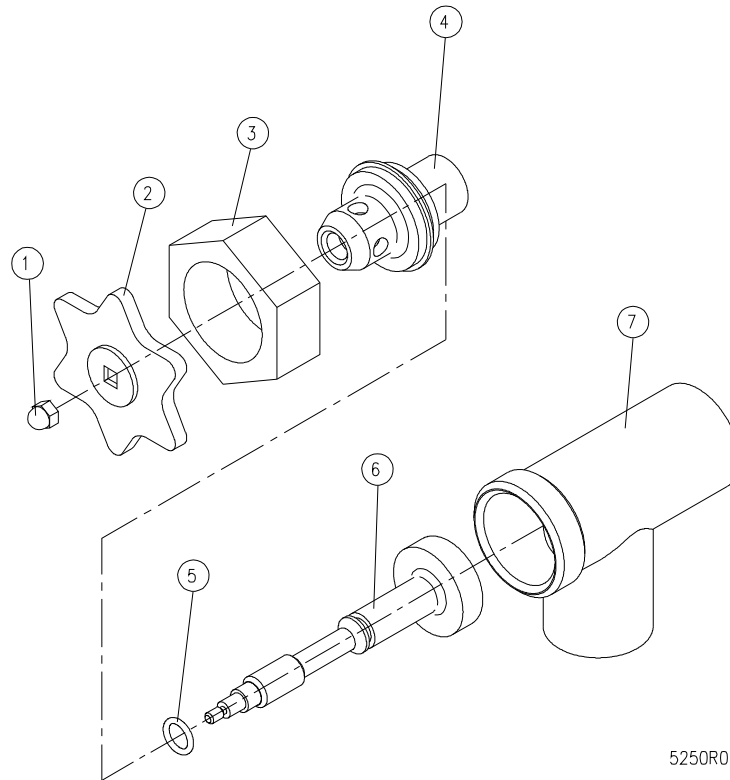
4992R2

<u>ITEM</u>	<u>PART NO.</u>	<u>DESCRIPTION</u>	<u>QUANTITY</u>	
1	2-KB01	Knob	1	
**	2	9-3231	Handle Assembly, 20 Gallon Kettle	1
		9-3231-1	Handle Assembly, 30 Gallon Kettle	1
		9-3231-2	Handle Assembly, 40 Gallon Kettle	1
3	1-85S8	Bolt	2	
4	1-WV06	Fibre Washer	4	
5	1-89S0	Nut, 1/2-20 UNF, Stainless Steel	2	
6	S05N-12	Lock Washer, 1/2"	1	
7	8-2003	Cover, 20 Gallon Kettle	1	
	8-2004	Cover, 30 Gallon Kettle	1	
	8-2005	Cover, 40 Gallon Kettle	1	

* * SELECT AS REQUIRED.

PARTS LIST, SELF-GENERATING STEAM KETTLES, MODELS: ELT, EL, EP

FIGURE 6



DRAW-OFF VALVE

<u>ITEM</u>	<u>PART NO.</u>	<u>DESCRIPTION</u>	<u>QUANTITY</u>
	3-D015	1 - ½" DRAW-OFF VALVE ASSEMBLY	
1	9031-3	Acorn Nut 10-24 UNC	1
2	4115-1	Handle, Stainless Steel	1
3	3-DV13	Gland Nut	1
4	3-DV14	Bonnet	1
5	3-DV16	"O" Ring	1
6	3-DV15RV	Stem Assembly	1
7	3-DV17	Valve Body	1

PARTS LIST, SELF-GENERATING STEAM KETTLES, MODELS: ELT, EL, EP

<u>ITEM</u>	<u>PART NUMBER</u>	<u>DESCRIPTION</u>	<u>QUANTITY</u>
	3-D020	2" DRAW-OFF VALVE ASSEMBLY	
1	9031-3	Acorn Nut 10-24 UNC	1
2	4115-1	Handle, Stainless Steel	1
3	3-DV23	Gland Nut	1
4	3-DV24	Bonnet	1
5	3-DV26	"O" Ring	1
6	3-DV25RV	Stem Assembly	1
7	3-DV27	Valve Body	1

<u>ITEM</u>	<u>PART NUMBER</u>	<u>DESCRIPTION</u>	<u>QUANTITY</u>
	3-D030	3" DRAW-OFF VALVE ASSEMBLY	
1	3-DV31	Acorn Nut, 7/16-14 UNC	1
2	3-DV32	Handle, Stainless Steel	1
3	3-DV33	Gland Nut	1
4	3-DV34	Bonnet	1
5	3-DV36	"O" Ring	1
6	3-DV35RV	Stem Assembly	1
7	3-DV37	Valve Body	1

PARTS LIST, SELF-GENERATING STEAM KETTLES, MODELS: ELT, EL, EP

SPRING ASSIST COVER ASSEMBLY FOR FIELD INSTALLATION ON ELT MODELS

<u>PART NUMBER</u>	<u>MODEL</u>
4225-1	ELT-20
4225-2	ELT-30
4225-3	ELT-40
4225-4	ELT-60
4225-5	ELT-80
4225-6	ELT-100