

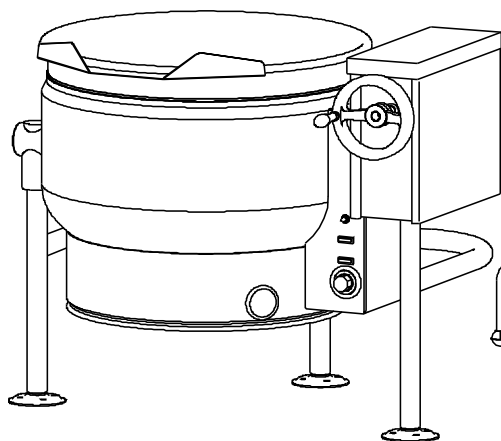


**IMPORTANT FOR FUTURE REFERENCE**  
Please complete this information and retain this manual for the life of the equipment:

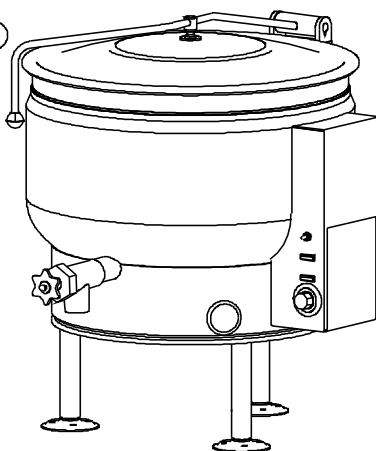
Model #: \_\_\_\_\_  
Serial #: \_\_\_\_\_  
Date Purchased: \_\_\_\_\_

## PARTS LIST

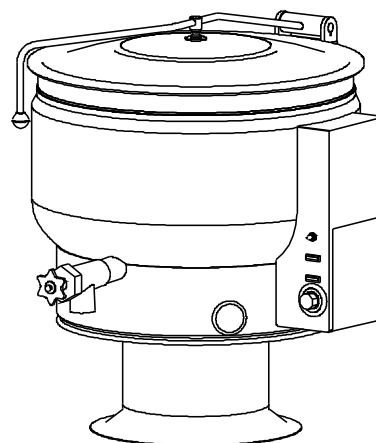
### Self - Generating Steam Full Jacket Kettles ELT-F EL-F EP-F



ELT-F



EL-F



EP-F



#### WARNING

Improper installation, adjustment, alteration, service or maintenance can cause property damage, injury or death. Read the installation, operating and maintenance instructions thoroughly before installing or servicing this equipment.

#### CROWN FOOD SERVICE EQUIPMENT

 A Middleby Company

70 Oakdale Road, Downsview (Toronto) Ontario, Canada, M3N 1V9

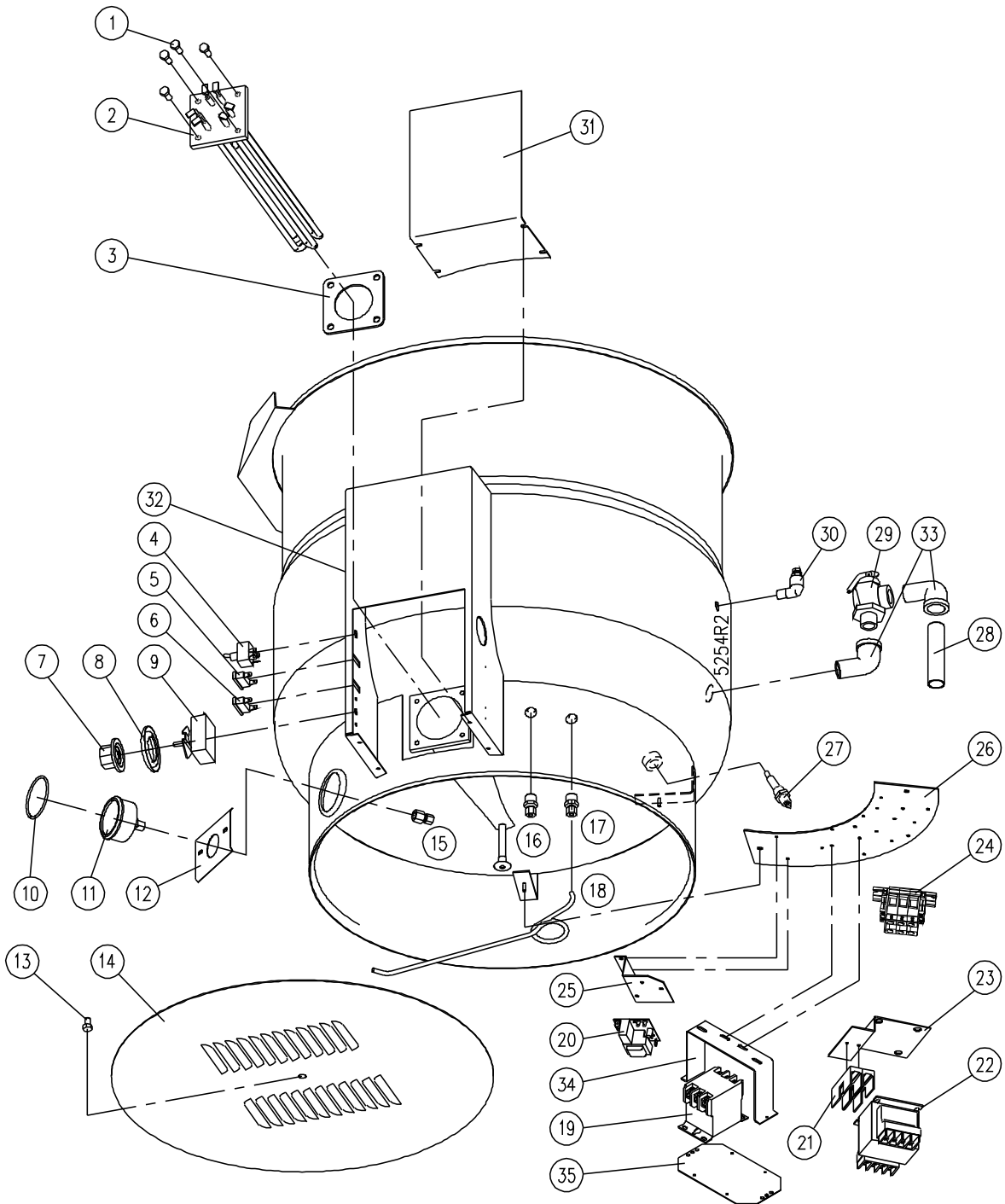
Telephone: 919-762-1000      [www.crownsteamgroup.com](http://www.crownsteamgroup.com)

Printed in Canada



PARTS LIST, SELF-GENERATING STEAM FULL JACKET KETTLES,  
ELT-F, EL-F, EP-F

**FIGURE 1**



PARTS LIST, SELF-GENERATING STEAM FULL JACKET KETTLES,  
ELT-F, EL-F, EP-F

**FIGURE 1**

<u>ITEM</u>	<u>PART NO.</u>	<u>DESCRIPTION</u>	<u>QUANTITY</u>				
			<u>20</u>	<u>30</u>	<u>40</u>	<u>60</u>	
1.	M50S-51618-34	Hex Bolt, 5/16 - 18 x 3/4 In. (1-66S6)	4	4	4	4	
**	2.	7-5027	Element Assembly, 208V, 18 kW	1	1	1	
		7-5028	Element Assembly, 220/380V, 18 kW	1	1	1	
		7-5029	Element Assembly, 240/416V, 18 kW	1	1	1	
		7-5030	Element Assembly, 480V, 18 kW	1	1	1	
		9-3298	Element Assembly, 600V, 18 kW	1	1	1	
		7-5031	Element Assembly, 208V, 24 kW	1	1	1	1
		7-5037	Element Assembly, 220/380V, 24 kW	1	1	1	1
		7-5032	Element Assembly, 240/416V, 24 kW	1	1	1	1
		7-5033	Element Assembly, 480V, 24 kW	1	1	1	1
		9-3299	Element Assembly, 600V, 24 kW	1	1	1	1
		7-5034	Element Assembly, 208V, 33 kW		1	1	1
		7-5038	Element Assembly, 220/380V, 33 kW		1	1	1
		7-5035	Element Assembly, 240/416V, 33 kW		1	1	1
		7-5036	Element Assembly, 480V, 33 kW		1	1	1
		2348-2	Element Assembly, 600V, 33 kW		1	1	1
	3.	5986-1	Element Gasket	1	1	1	1
	4.	9110-1	Power Switch	1	1	1	1
	5.	4996-5	Pilot Light - Amber, Low Water	1	1	1	1
	6.	4996-5	Pilot Light - Amber, Temperature	1	1	1	1
**	7.	6311-1	Knob Assembly (1-10)	1	1	1	1
		5975-2	Knob Assembly (°F)	1	1	1	1
		5976-2	Knob Assembly (°C)	1	1	1	1
	8.	3987-1	Bezel (4-TB05)	1	1	1	1
	9.	9126-1	Thermostat	1	1	1	1
	10.	9207-3	"O" Ring (2-230R)	1	1	1	1
	11.	4967-1	Pressure Gauge (3-PG00)	1	1	1	1

PARTS LIST, SELF-GENERATING STEAM FULL JACKET KETTLES,  
ELT-F, EL-F, EP-F

<u>ITEM</u>	<u>PART NO.</u>	<u>DESCRIPTION</u>	<u>QUANTITY</u>			
			<u>20</u>	<u>30</u>	<u>40</u>	<u>60</u>
12.	3407-1	Pressure Gauge Mounting Plate (8-3097)	1	1	1	1
13.	M50S-51618-58	Hex Bolt, 5/16 - 18 x 5/8" (1-66S4)	1	1	1	1
** 14.	3041-9	Bottom Cover, ELT-20F (8-2079)	1			
	3041-10	Bottom Cover, ELT-30F (8-2080)		1		
	3041-11	Bottom Cover, ELT-40F (8-2081)			1	
	3041-12	Bottom Cover, ELT-60F (8-2082)				1
	3041-3	Bottom Cover, EL-20F (8-2079-1)	1			
	3041-4	Bottom Cover, EL-30F (8-2080-1)		1		
	3041-5	Bottom Cover, EL-40F (8-2081-1)			1	
	3041-6	Bottom Cover, EL-60F (8-2082-2)				1
	7139-3	Bottom Cover, EP-20F	1			
	7139-4	Bottom Cover, EP-30F		1		
	7139-5	Bottom Cover, EP-40F			1	
	7139-6	Bottom Cover, EP-60F				1
15.	9814-2	Connector, 1/4 cc x 1/4 FPT (3-664B)	1	1	1	1
16.	9768-9	Connector, Thermostat (3-686C)	1	1	1	1
17.	9768-5	Connector, 1/4 cc x 3/8 MPT (3-684C)	1	1	1	1
18.	5514-2	Copper Tube, 1/4 x 28", 20 Gallon	1			
	5514-3	Copper Tube, 1/4 x 29", 30 Gallon		1		
	5514-4	Copper Tube, 1/4 x 33", 40 Gallon			1	
	5514-5	Copper Tube, 1/4 x 35", 60 Gallon				1
** 19.	9348-208	Contact, 208 - 240V, 18 kW, 24 kW	2	2	2	2
	9348-208	Contact, 380 - 600V, 18 kW, 24 kW	1	1	1	1
	9349-208	Contact, 208 - 240V, 33 kW		2	2	2
	9349-208	Contact, 380 - 600V, 33 kW		1	1	1
20.	3974-2	Low Water Cut Off	1	1	1	1
** 21.	9002-1	Fuse Holder, 380 - 600V	2	2	2	2
	9001-7	Fuse, 2 Amp., 380V - 600V	2	2	2	2

PARTS LIST, SELF-GENERATING STEAM FULL JACKET KETTLES,  
ELT-F, EL-F, EP-F

<u>ITEM</u>	<u>PART NO.</u>	<u>DESCRIPTION</u>	<u>QUANTITY</u>			
			<u>20</u>	<u>30</u>	<u>40</u>	<u>60</u>
	9092-3	Glass Fuse, 3A, 208-240V	2	2	2	2
	9068-1	Fuse Holder, 208-240V	2	2	2	2
	9092-3	Glass Fuse, Fuse 3A, 380/220V & 415/240V	1	1	1	1
	9068-1	Fuse Holder, 380/220V & 415/240V	1	1	1	1
**	22.	4-T251 Transformer, 380-220, 50/60 Hz, 100VA	1	1	1	1
		4-T251 Transformer, 415-220, 50/60 Hz, 100VA	1	1	1	1
		4-T255 Transformer, 480-240, 50/60 Hz, 100VA	1	1	1	1
		4-T260 Transformer, 600-240, 60 Hz, 100VA	1	1	1	1
	23.	5164-1 Transformer Fuse Block Mounting Bracket	1	1	1	1
**	24.	6161-3 Modular Terminal Assembly, 3 Pole	1	1	1	1
		Includes Following Parts:				
		9374-1 Modular Terminal, Grey	3	3	3	3
		9375-1 End Plate	1	1	1	1
		9369-1 End Clamp	2	2	2	2
		9368-079 Mounting Rail, 79 mm	1	1	1	1
		6161-4N Modular Terminal Assembly, 4 Pole	1	1	1	1
		Includes Following Parts:				
		9374-1 Modular Terminal, Grey	3	3	3	3
		9374-2 Modular Terminal, Blue	1	1	1	1
		9375-1 End Plate	1	1	1	1
		9369-1 End Clamp	2	2	2	2
		9368-098 Mounting Rail, 98 mm	1	1	1	1
	25.	5885-1 Bracket, Level Control	1	1	1	1
**	26.	2782-1 Component Mounting Plate (8-2072)	1			
		2784-1 Component Mounting Plate (8-2073)		1		

PARTS LIST, SELF-GENERATING STEAM FULL JACKET KETTLES,  
ELT-F, EL-F, EP-F

<u>ITEM</u>	<u>PART NO.</u>	<u>DESCRIPTION</u>	<u>QUANTITY</u>				
			<u>20</u>	<u>30</u>	<u>40</u>	<u>60</u>	
	2785-1	Component Mounting Plate (8-2074)			1	1	
27.	4-LLP1	Probe, 2-1/16 Lg.	1	1	1	1	
28.	5184-1	Extension, Relief Valve	1	1	1	1	
29.	3529-2	Safety Relief Valve, 50 psi (3-SRV9-1)	1	1	1	1	
30.	3-AV01	Air Vent Assembly	1	1	1	1	
**	31.	6880-3	Control Box Cover, 20 Gallon (8-3030-2)	1			
		6880-4	Control Box Cover, 30 Gallon (8-3030-3)		1		
		6880-5	Control Box Cover, 40 Gallon (8-3030-4)			1	
		6880-6	Control Box Cover, 60 Gallon (8-3030-5)				1
*	32.	6561-4	Control Panel Decal	1			
		6561-5	Control Panel Decal		1		
		6561-6	Control Panel Decal			1	
		6561-7	Control Panel Decal				1
	33.	9012-4P	Street Elbow 90°, 3/4 NPT	2	2	2	2
**	34.	8234-1	Contactoer Bracket, (208-240V)	1	1	1	1
		8369-1	Contactoer Bracket (280-600V)	1	1	1	1
**	35.	6042-1	Contactoer Plate, (208-240V)	1	1	1	1
		6126-1	Contactoer Plate (310-600V)	1	1	1	1

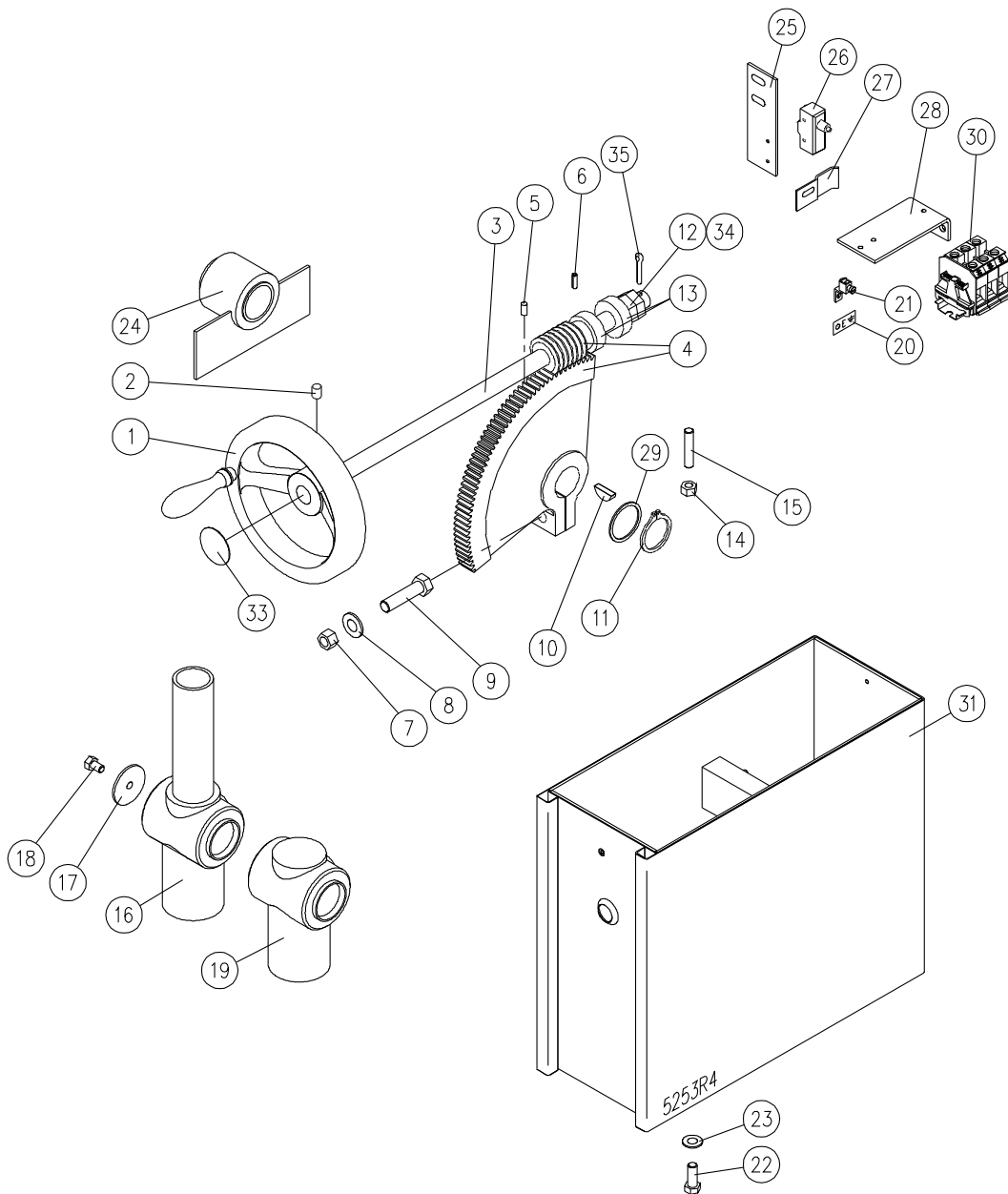
\* NOT SHOWN.

\*\* SELECT AS REQUIRED.

PARTS LIST, SELF-GENERATING STEAM FULL JACKET KETTLES,  
ELT-F, EL-F, EP-F

**TILT CONSOLE PARTS**

**FIGURE 2**



PARTS LIST, SELF-GENERATING STEAM FULL JACKET KETTLES,  
ELT-F, EL-F, EP-F

**FIGURE 2**

<u>ITEM</u>	<u>PART NUMBER</u>	<u>DESCRIPTION</u>	<u>QUANTITY</u>
1.	8-2054	Hand Wheel	1
2.	S2102P-3816-12	Set Screw 3/8 -16 x 1/2", (1-72U4)	1
3.	6738-2	Tilt Shaft	1
4.	5393-1	Segment Gear & Worm Gear Kit (Includes items 5 to 11)	1
5.	S2101N-1420-12	Set Screw, 1/4 - 20 x 1/2" (1-52U4)	1
6.	9032-7	Tension Pin, 3/16" Diameter x 1-1/4" Length, (2-T6U5)	1
7.	HN01X-1213	Nut, 1/2 - 13, (1-99C0)	1
8.	F101X-12	Lock Washer, 1/2", (1-W4C0)	1
9.	M50X-1213-2	Bolt, 1/2 - 13 x 2", (2-96C8)	1
10.	5312-3	Key Woodruff, (1-K8U8)	1
11.	1-R315	Retaining Ring	1
12.	9029-22	Jam Nut (2-HN66)	2
13.	5327-1	Thrust Bearing	2
14.	HN01X-3816	Nut, 3/8 - 16 (1-79C0)	1
15.	S2101P-3816-134	Set Screw, 3/8 - 16 x 1-3/4", (2-72U7)	1
16.	8-2085EE	Outbore Bearing complete with extension - used on spring assist covers only - specify model.	1
17.	3962-1	Stainless Steel Washer (9-3197)	1
18.	M50S-51618-12	Bolt (9-3198)	1
19.	8-2085E	Outbore Bearing	1
20.	4188-1	Ground ID Tag (9-3104)	1
21.	4190-1	Ground Lug, (4-70EU)	1

PARTS LIST, SELF-GENERATING STEAM FULL JACKET KETTLES,  
ELT-F, EL-F, EP-F

**FIGURE 2**

<b><u>ITEM</u></b>	<b><u>PART NUMBER</u></b>	<b><u>DESCRIPTION</u></b>	<b><u>QUANTITY</u></b>
22.	M50C-3816-1	Bolt 3/8-16 x 1", (1-75C8)	4
23.	S01X-38	Lock Washer 3/8", (1-70C0)	4
24.	8-2090	Block Bearing	1
25.	4653-1	Micro Switch Bracket	1
26.	9228-1	Micro Switch (4-M605)	1
27.	4359-1	Micro Switch Activator Bracket	1
28.	4214-1	Terminal Block Bracket	1
29.	5259-1	Spacer, 1/16" Thick	As Required
30.	6161-3	Modular Terminal Assembly, 3 Pole	1
		Includes Following Parts:	
	9374-1	Modular Terminal, Grey	3
	9375-1	End Plate	1
	9369-1	End Clamp	2
	9368-079	Mounting Rail, 79 mm	1
	6161-4N	Modular Terminal Assembly, 4 Pole	1
		Includes Following Parts:	
	9374-1	Modular Terminal, Grey	3
	9374-2	Modular Terminal, Blue	1
	9375-1	End Plate	1
	9369-1	End Clamp	2
	9368-098	Mounting Rail, 98 mm	1
31.	2960-1	Console Assembly, ELT	1

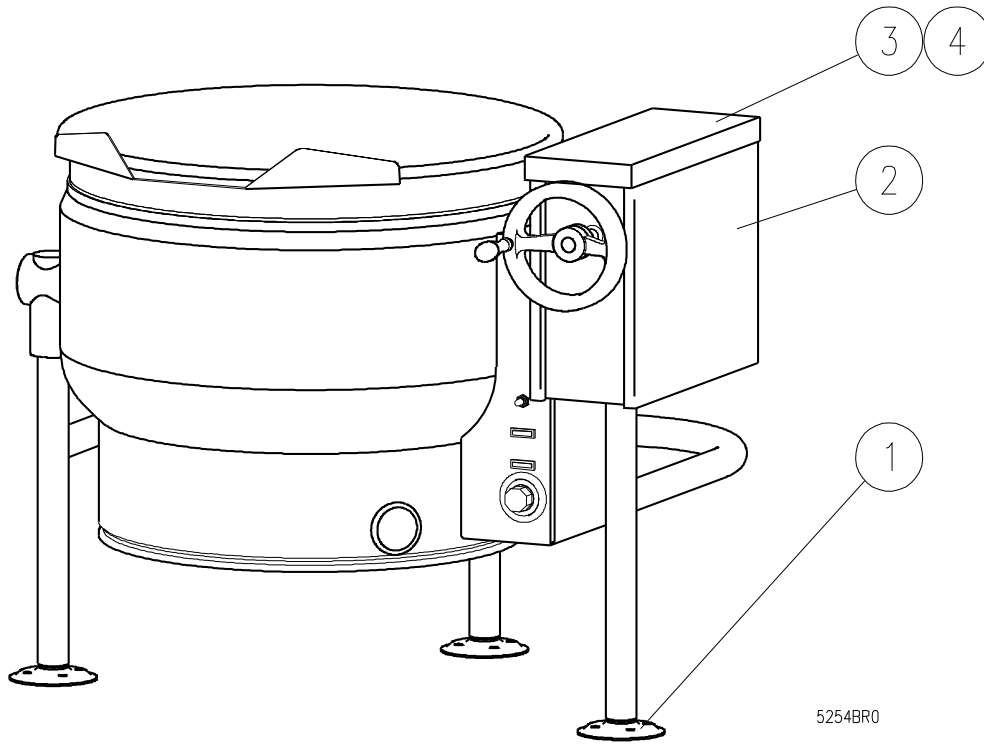
PARTS LIST, SELF-GENERATING STEAM FULL JACKET KETTLES,  
ELT-F, EL-F, EP-F

<u>ITEM</u>	<u>PART NUMBER</u>	<u>DESCRIPTION</u>	<u>QUANTITY</u>
* 32.	<a href="#">M33S-1032-12</a>	Screw, Console Cover, 10 - 32 x 1/2", (1-34S4)	1
33.	<a href="#">5608-1</a>	Decal - Tilt	1
34.	<a href="#">5328-1</a>	Washer, 3/4 ID x 1-1/4 OD	1
35.	<a href="#">5329-1</a>	Cotter Pin S.S. 3/16" x 1"	1
* NOT SHOWN.			

PARTS LIST, SELF-GENERATING STEAM FULL JACKET KETTLES,  
ELT-F, EL-F, EP-F

**PARTS LIST**

**FIGURE 3**



**ELT-F**

<u>ITEM</u>	<u>PART NUMBER</u>	<u>DESCRIPTION</u>	<u>QUANTITY</u>
1.	8-1308	Adjustable Flanged Foot	3
2.	2960-1	Console Box	1
3.	3534-1	Console Cover	1
4.	M33S-1032-12	Screw, 10 - 32 x 1/2", (1-34S4)	1



PARTS LIST, SELF-GENERATING STEAM FULL JACKET KETTLES,  
ELT-F, EL-F, EP-F

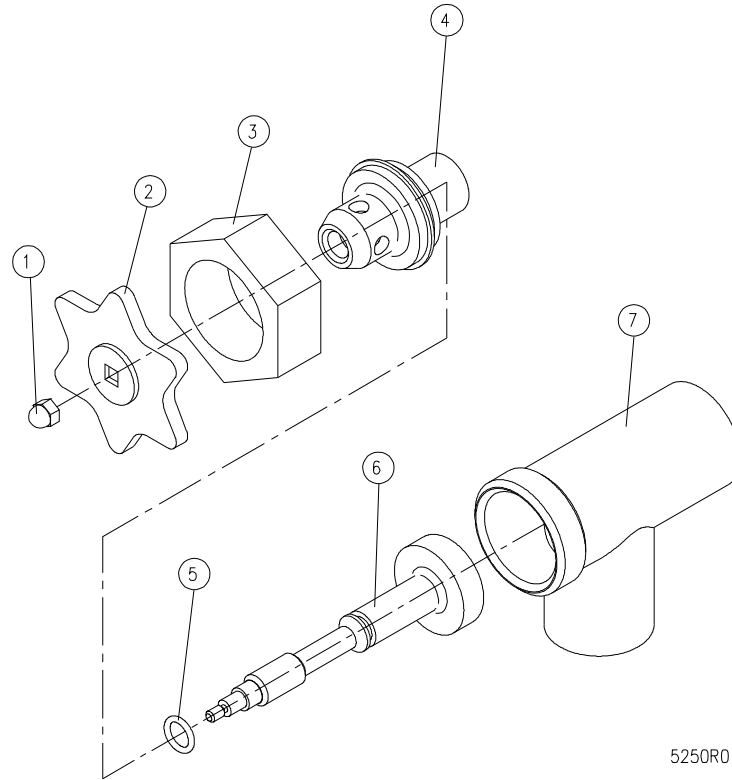
**FIGURE 4**

<u>ITEM</u>	<u>PART NUMBER</u>	<u>DESCRIPTION</u>	<u>QUANTITY</u>
	9-3185	HINGE ASSEMBLY	
1.	3725-1	Lock Pin, (8-2029)	1
2.	3726-1	End Lock Plate, (8-2035L)	1
3.	5428-1	Stationary Disc	1
4.	5430-1	Core	1
5.	4008-1	Spring, (8-2026)	1
** 6.	4990-18	Handle Assembly, 20 Gallon Kettle (8-2028-2)	1
	4990-19	Handle Assembly, 30 Gallon Kettle (8-2027)	1
	4990-21	Handle Assembly, 40 Gallon Kettle (8-2027-1)	1
	4990-23	Handle Assembly, 60 Gallon Kettle (8-2027-2)	1
7.	5429-1	Rotary Disc	1
8.	3727-1	End Stop Plate, (8-2021)	1
9.	M68S-1420-34	Cap Screws, 1/4 - 20 x 3/4, Stainless Steel, (1-56S6)	4
10.	9147-1	Knob (2-KB01)	1
11.	4261-1	Mounting Plate Assembly - Tilting Models Only	1
** 12.	8985-4	Covers, 20 Gallon Kettle, (8-2005)	1
	8985-5	Covers, 30 Gallon Kettle, (8-2006)	1
	8985-6	Covers, 40 Gallon Kettle, (8-2007)	1
	8985-7	Covers, 60 Gallon Kettle, (8-2008)	1

\*\* SELECT AS REQUIRED.

PARTS LIST, SELF-GENERATING STEAM FULL JACKET KETTLES,  
ELT-F, EL-F, EP-F

**FIGURE 5**



**DRAW-OFF VALVE**

<b><u>ITEM</u></b>	<b><u>PART NUMBER</u></b>	<b><u>DESCRIPTION</u></b>	<b><u>QUANTITY</u></b>
	4219-1	1 - 1/2" DRAW-OFF VALVE ASSEMBLY, (3-D015)	
1.	9031-3	Acorn Nut, 10-24 UNC	1
2.	4115-1	Handle, Stainless Steel	1
3.	4221-1	Gland Nut, (3-DV13)	1
4.	4220-1	Bonnet, (3-DV14)	1
5.	9287-1	"O" Ring, (3-DV16)	1
6.	4222-1	Stem Assembly, (3-DV15RV)	1
7.	4223-1	Valve Body, (3-DV17)	1

PARTS LIST, SELF-GENERATING STEAM FULL JACKET KETTLES,  
ELT-F, EL-F, EP-F

<u>ITEM</u>	<u>PART NUMBER</u>	<u>DESCRIPTION</u>	<u>QUANTITY</u>
	4136-1	2" DRAW-OFF VALVE ASSEMBLY (3-D020)	
1.	9031-3	Acorn Nut, 10-24 UNC	1
2.	4115-1	Handle, Stainless Steel	1
3.	4216-1	Gland Nut (3-DV23)	1
4.	4215-1	Bonnet, (3-DV24)	1
5.	9207-1	"O" Ring, (3-DV26)	1
6.	4217-1	Stem Assembly, (3-DV25RV)	1
7.	4218-1	Valve Body, (3-DV27)	1

<u>ITEM</u>	<u>PART NUMBER</u>	<u>DESCRIPTION</u>	<u>QUANTITY</u>
	3995-1	3" DRAW-OFF VALVE ASSEMBLY, (3-D030)	
1.	3-DV31	Acorn Nut, 7/16-14 UNC	1
2.	3996-1	Handle, Stainless Steel, (3-DV32)	1
3.	3998-1	Gland Nut, (3-DV33)	1
4.	3997-1	Bonnet, (3-DV34)	1
5.	9411-1	"O" Ring, (3-DV36)	1
6.	3999-1	Stem Assembly, (3-DV35RV)	1
7.	4000-1	Valve Body, (3-DV37)	1