

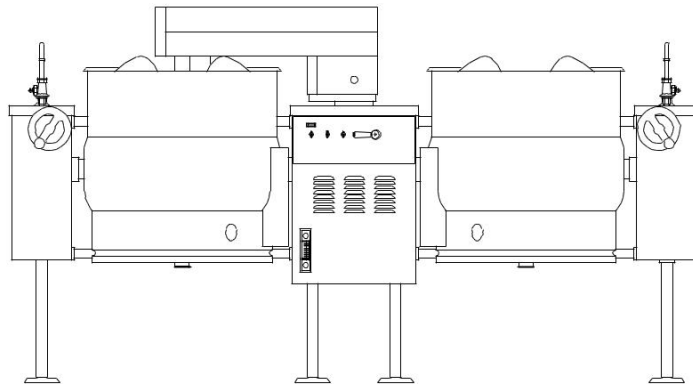
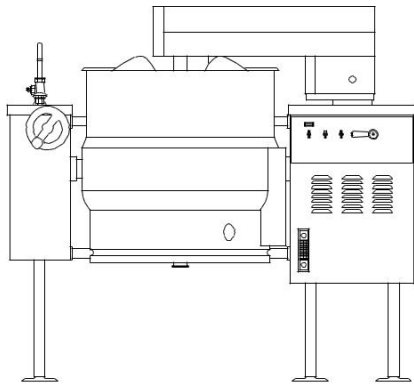


IMPORTANT FOR FUTURE REFERENCE
 Please complete this information and retain this manual for the life of the equipment:

Model #: _____
 Serial #: _____
 Date Purchased: _____

PARTS LIST


'9`Ywf]WGYZ; YbYfU]b[`G]b[`Y`UbX`Hk]b`A]l Yf`? Yh`Yg`
 `9 @HA!(\$!fBL`9 @HA!* \$!fBL`9 @HA!, \$!fBL`9 @HA!%\$\$!fBL



⚠ WARNING

Improper installation, adjustment, alteration, service or maintenance can cause property damage, injury or death. Read the installation, operating and maintenance instructions thoroughly before installing or servicing this equipment.

CROWN FOOD SERVICE EQUIPMENT

 A Middleby Company

70 Oakdale Road, Downsview (Toronto) Ontario, Canada, M3N 1V9
 Telephone: 919-762-1000 www.crownsteamgroup.com

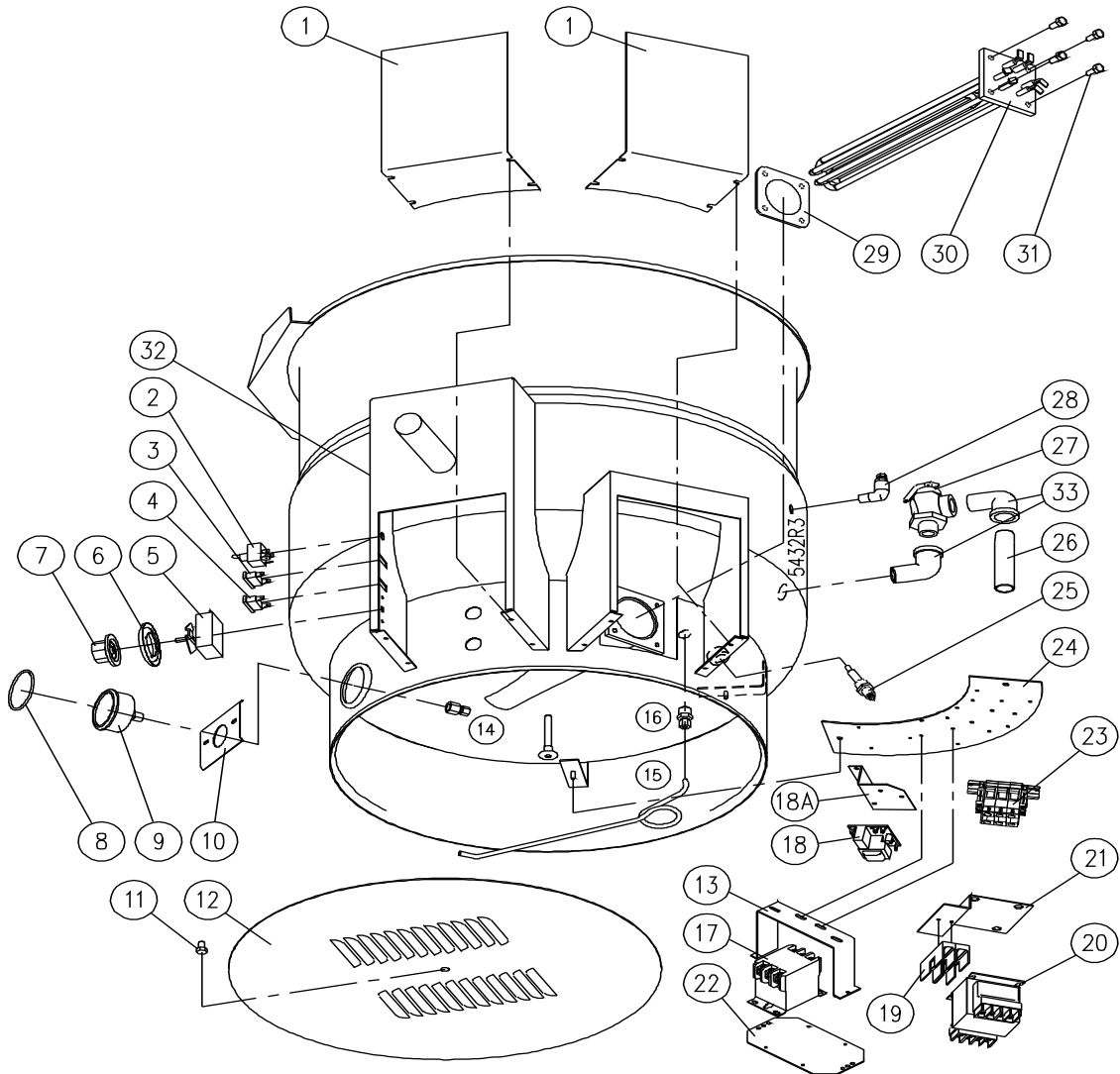
Printed in Canada



PARTS LIST, ELECTRIC LEG-MOUNTED TILTING MIXER KETTLES,
 MODELS ELTM-40 TO ELTM-100, ELTM-40-2 TO 100-2

FIGURE 1

ELECTRIC TILT MIXER



PARTS LIST, ELECTRIC LEG-MOUNTED TILTING MIXER KETTLES,
 MODELS ELTM-40 TO ELTM-100, ELTM-40-2 TO 100-2

FIGURE 1

<u>ITEM</u>	<u>PART NO.</u>	<u>DESCRIPTION</u>	<u>QUANTITY PER</u>			
			<u>KETTLE</u>			
			<u>40</u>	<u>60</u>	<u>80</u>	<u>100</u>
1.	6880-3	Housing Cover	2			
	6880-4	Housing Cover		2		
	6880-5	Housing Cover			2	
	6880-6	Housing Cover				2
2.	9110-1	Power Switch	1	1	1	1
3.	4996-5	Pilot Light - Low Water	1	1	1	1
4.	4996-5	Pilot Light - Temperature	1	1	1	1
5.	9126-1	Thermostat	1	1	1	1
6.	4-TB05	Bezel	1	1	1	1
7.	6311-1	Knob Assembly (1-10)	1	1	1	1
	5975-2	Knob Assembly (°F)	1	1	1	1
	5976-2	Knob Assembly (°C)	1	1	1	1
8.	2-230R	"O" Ring	1	1	1	1
9.	4967-1	Pressure Gauge	1	1	1	1
10.	3407-1	Pressure Gauge Mounting Plate	1	1	1	1
11.	M50S-51618-12	Hex Bolt, 5/16 - 18 x 1/2"	1	1	1	1
12.	3041-9	Bottom Cover	1			
	3041-10	Bottom Cover		1		
	3041-11	Bottom Cover			1	
	3041-12	Bottom Cover				1
** 13.	8234-1	Adapter Plate Bracket, Contactor, 208-240V	1	1	1	1
	8369-1	Adapter Plate Bracket, Contactor, 380-600V	1	1	1	1

PARTS LIST, ELECTRIC LEG-MOUNTED TILTING MIXER KETTLES,
MODELS ELTM-40 TO ELTM-100, ELTM-40-2 TO 100-2

<u>ITEM</u>	<u>PART NO.</u>	<u>DESCRIPTION</u>	<u>QUANTITY PER KETTLE</u>				
			<u>40</u>	<u>60</u>	<u>80</u>	<u>100</u>	
14.	3-664B	Connector, 1/4 C x 1/4 FPT	1	1	1	1	
15.	5514-2	Pressure Gauge - Copper Tube, 28"	1				
	5514-3	Pressure Gauge - Copper Tube, 29"		1			
	5514-4	Pressure Gauge - Copper Tube, 33"			1		
	5514-5	Pressure Gauge - Copper Tube, 35"				1	
16.	3-684C	Connector, 1/4 C x 3/8 MPT	1	1	1	1	
**	17.	9348-208	Contact, 3 Pole, 50 Amp, 208 - 240V, 24 kW	2	2	2	2
		9348-208	Contact, 3 Pole, 50 Amp, 380 - 600V, 24 kW	1	1	1	1
		9349-208	Contact, 3 Pole, 75 Amp, 208 - 240, 33 kW		2	2	2
		9349-208	Contact, 3 Pole, 75 Amp, 380 - 480, 33 kW		1	1	1
		9348-208	Contact, 3 Pole, 50 Amp, 600V, 33 kW		1	1	1
18.	3974-2	Water Level Control	1	1	1	1	
18A.	5885-1	Water Level Control Mounting Bracket	1	1	1	1	
**	19.	9001-2	Fuse, 1/2 A, 600V, (380 - 600V)	2	2	2	2
**		9092-3	Fuse, 3A, 250V (220/380V and 240/415V)	1	1	1	1
**		9092-3	Fuse, 3A, 250V (208 - 240V)	2	2	2	2
**		9002-1	Fuse Holder, 600V (380 - 600V)	2	2	2	2
		9068-1	Fuse Holder, 250V (220/380V and 240/415V)	1	1	1	1
		9068-1	Fuse Holder, 250V (208 - 240V)	2	2	2	2

PARTS LIST, ELECTRIC LEG-MOUNTED TILTING MIXER KETTLES,
MODELS ELTM-40 TO ELTM-100, ELTM-40-2 TO 100-2

ITEM	PART NO.	DESCRIPTION	QUANTITY PER KETTLE			
			40	60	80	100
** 20.	4-T251	Transformer, 380, 415V, 100VA	1	1	1	1
	4-T255	Transformer, 480V, 100VA	1	1	1	1
	4-T260	Transformer, 600V/100VA	1	1	1	1
** 21.	5164-1	Transformer/Fuse Block Mounting Plate (380, 480, 415, 600V)	1	1	1	1
** 22.	6042-1	Adapter Plate (208-240V)	1	1	1	1
	6126-1	Adapter Plate (380-600V)	1	1	1	1
** 23.	6161-3	Modular Terminal Assembly, 3 Pole (208, 240, 380, 415, 480, 600V) Includes the following parts:	1	1	1	1
	9374-1	Modular Terminal, Grey	3	3	3	3
	9375-1	End Plate	1	1	1	1
	9369-1	End Clamp	2	2	2	2
	9368-079	Mounting Rail, 79 mm	1	1	1	1
** 23.	6161-4N	Modular Terminal Assy, 3 Pole W/Neutral Includes the following parts:	1	1	1	1
	9374-1	Modular Terminal, Grey	3	3	3	3
	9375-1	End Plate	1	1	1	1
	9369-1	End Clamp	2	2	2	2
	9368-098	Mounting Rail	1	1	1	1
24.	2782-1	Component Mounting Plate	1			
	2784-1	Component Mounting Plate		1		
	2785-1	Component Mounting Plate			1	1
25.	4-LLP1	Probe	1	1	1	1
26.	5184-1	Down Tube	1	1	1	1

PARTS LIST, ELECTRIC LEG-MOUNTED TILTING MIXER KETTLES,
MODELS ELTM-40 TO ELTM-100, ELTM-40-2 TO 100-2

ITEM	PART NO.	DESCRIPTION	QUANTITY PER KETTLE			
			40	60	80	100
27.	3-SRV9-1	Relief Valve, 50 PSI	1	1	1	1
28.	3-AV01	Air Vent Assembly	1	1	1	1
29.	5986-1	Element Gasket	1	1	1	1
** 30.	7-5031	Element Assembly c/w Gasket, 208V, 24 kW	1	1	1	1
	7-5037	Element Assembly c/w Gasket, 220/380V, 24 kW	1	1	1	1
	7-5032	Element Assembly c/w Gasket, 240/416V, 24 kW	1	1	1	1
	7-5033	Element Assembly c/w Gasket, 480V, 24 kW	1	1	1	1
	9-3299	Element Assembly c/w Gasket, 600V, 24 kW	1	1	1	1
	7-5034	Element Assembly c/w Gasket, 208V, 33 kW		1	1	1
	7-5038	Element Assembly c/w Gasket, 220/380V, 33 kW		1	1	1
	7-5035	Element Assembly c/w Gasket, 240/416V, 33 kW		1	1	1
	7-5036	Element Assembly c/w Gasket, 480V, 33 kW		1	1	1
	2348-2	Element Assembly c/w Gasket, 600V, 33 kW		1	1	1
31.	M50S-51618-34	Hex Bolt, 5/16 - 18 x 3/4	4	4	4	4
** 32.	6561-4	Control Panel Decal	1			
	6561-5	Control Panel Decal		1		
	6561-6	Control Panel Decal			1	
	6561-7	Control Panel Decal				1
33.	9012-4P	Street Elbow 90°, 3/4" NPT	2	2	2	2

PARTS LIST, ELECTRIC LEG-MOUNTED TILTING MIXER KETTLES,
 MODELS ELTM-40 TO ELTM-100, ELTM-40-2 TO 100-2

<u>ITEM</u>	<u>PART NO.</u>	<u>DESCRIPTION</u>	<u>QUANTITY PER</u>			
			<u>KETTLE</u>			
			<u>40</u>	<u>60</u>	<u>80</u>	<u>100</u>
						1

* NOT SHOWN.

** SELECT AS REQUIRED.

PARTS LIST, ELECTRIC LEG-MOUNTED TILTING MIXER KETTLES,
 MODELS ELTM-40 TO ELTM-100, ELTM-40-2 TO 100-2

FIGURE 2

<u>ITEM</u>	<u>PART NO.</u>	<u>DESCRIPTION</u>	<u>QUANTITY</u>
1.	8-2054	Hand Wheel	1
2.	9061-5	Set Screw, 3/8 - 16 x 1/2"	1
3.	6738-2	Tilt Shaft	1
4.	9061-4	Set Screw, 1/4 - 20 x 1/2"	1
5.	9032-7	Tension Pin, 3/16" x 1-1/4" L	1
6.	5329-1	Cotter Pin, Stainless Steel, 3/16 x 1"	1
7.	2-HN66	Jam Nut	2
8.	5328-1	Washer, 3/4 Inside Diameter x 1-1/4 Outside Diameter	1
9.	5327-1	Thrust Bearing	2
10.	5393-1	Segment Gear and Worm Gear (Includes Items 4, 5, 13 to 17)	1
11.	5608-2	Decal - Tilt	1
12.	9061-6	Set Screw, 3/8 - 16 x 1-3/4"	1
13.	1-99C0	Nut, 1/2 - 13	1
14.	S01C-12	Lock Washer, 1/2"	1
15.	M50C-1213-2	Hex HD Screw, 1/2 - 13 x 2"	1
16.	6321-1	Square Key, 1/4" x 1-3/8"	1
17.	1-R315	Retaining Ring	1
18.	1-79C0	Nut, 3/8 - 16	1
19.	M50C-3816-1	Hex HD Screw, 3/8 - 16 x 1"	4
20.	S01C-38	Lock Washer, 3/8"	4
21.	S05N-38	Lock Washer, 3/8" Stainless Steel	6
22.	M50S-3816-114	Hex HD Screw, 3/8 - 16 x 1-1/4"	2

PARTS LIST, ELECTRIC LEG-MOUNTED TILTING MIXER KETTLES,
 MODELS ELTM-40 TO ELTM-100, ELTM-40-2 TO 100-2

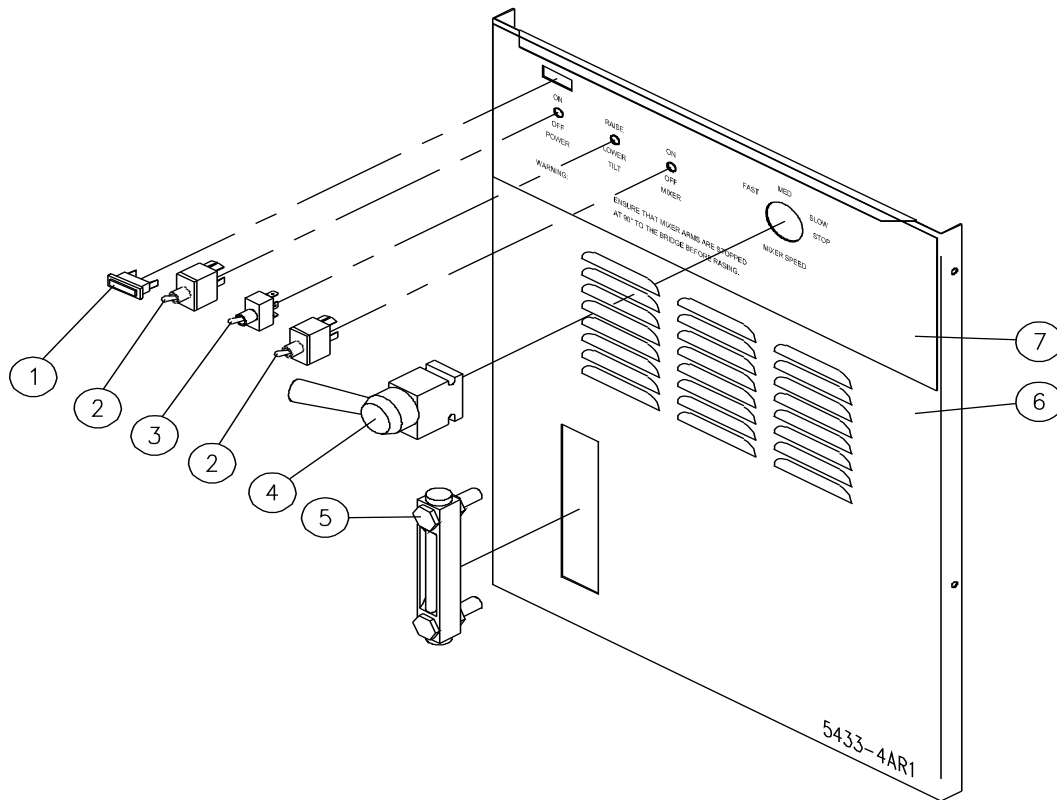
<u>ITEM</u>	<u>PART NO.</u>	<u>DESCRIPTION</u>	<u>QUANTITY</u>	
23.	4009-1	Trunnion Housing Assembly	1	
24.	9030-3	Hex Nut, 3/8 - 16 Stainless Steel	4	
**	25.	2905-1	Console Cover	1
	2910-1	Console Cover - Faucet Mounting	1	
	4327-1	Single Pantry Faucet with 18" Nozzle (SF-18)	1 (2 on twin)	
	4326-1	Double Pantry Faucet with 18" Nozzle (DF-18)	1 (2 on twin)	

* * SELECT AS REQUIRED.

PARTS LIST, ELECTRIC LEG-MOUNTED TILTING MIXER KETTLES,
MODELS ELTM-40 TO ELTM-100, ELTM-40-2 TO 100-2

FIGURE 3

MIXER CONSOLE CONTROL PANEL



PARTS LIST, ELECTRIC LEG-MOUNTED TILTING MIXER KETTLES,
 MODELS ELTM-40 TO ELTM-100, ELTM-40-2 TO 100-2

FIGURE 3

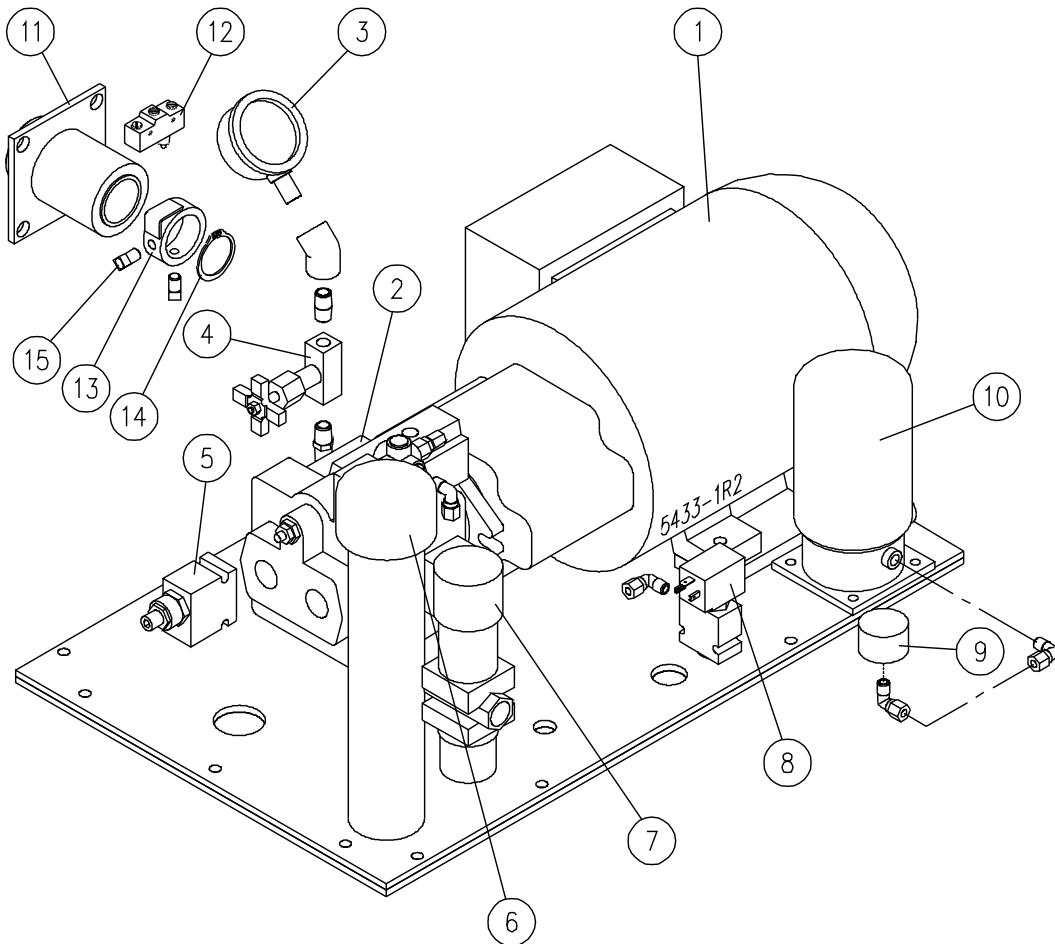
<u>ITEM</u>	<u>PART NO.</u>	<u>DESCRIPTION</u>	<u>QUANTITY</u>				
			<u>40</u>	<u>60</u>	<u>80</u>	<u>100</u>	
1.	4-PL08	Pilot Light	1	1	1	1	
2.	9110-1	Power Switch	2	2	2	2	
3.	9111-1	Bridge Switch	1	1	1	1	
4.	9-3116	Speed Control Valve (Includes Handle)	1	1	1	1	
	9199-1	Handle	1	1	1	1	
5.	3872-1	Sight Glass Gauge	1	1	1	1	
6.	7186-1	Front Console Cover	1	1	1	1	
7.	2342-3	Control Label, Black	1	1	1	1	
*	8.	2902-1	Back Console Cover	1	1	1	1
*	9.	7172-5	Front Top Console Cover	1			
		7172-6	Front Top Console Cover		1		
		7172-7	Front Top Console Cover			1	
		7172-8	Front Top Console Cover				1
*	10.	7172-13	Back Top Console Cover	1			
		7172-14	Back Top Console Cover		1		
		7172-15	Back Top Console Cover			1	
		7172-16	Back Top Console Cover				1
*	11.	7172-19	Center Console Cover Assembly	1	1	1	1
*	12.	8-1308	Flanged Adjustable Feet	4	4	4	4

* NOT SHOWN.

PARTS LIST, ELECTRIC LEG-MOUNTED TILTING MIXER KETTLES,
MODELS ELTM-40 TO ELTM-100, ELTM-40-2 TO 100-2

FIGURE 4

HYDRAULIC COMPONENTS



PARTS LIST, ELECTRIC LEG-MOUNTED TILTING MIXER KETTLES,
 MODELS ELTM-40 TO ELTM-100, ELTM-40-2 TO 100-2

FIGURE 4

<u>ITEM</u>	<u>PART NO.</u>	<u>DESCRIPTION</u>	<u>QUANTITY</u>
**	1. 9-3121	Motor, 208-230/460V, 3/60 Hz	1
	9-3121-2	Motor, 220-380/415V, 3/50 Hz	1
	9-3121-5	Motor, 550V, 3/60 Hz	1
	2. 9-3123	Piston Pump	1
*	5354-1	Motor Half Coupling	1
*	9-3122	Pump Half Coupling	1
*	5355-1	Insert Coupling	1
	3. 9-3126	Pressure Gauge, 0-3000 PSI	1
	4. 9-3125	Needle Valve	1
	5. 9-3124	Trim Relief Valve	1
	6. 9-3119	Filter Breather	1
	7. 5444-1	Thermostatic Cooling Valve	1
	8. 3906-1	Dump Valve	1
*	3906-2	Coil, 120V, 25W	1
	9. 5434-1	Return Filter Indicator	1
	10. 9-3120	Return Filter	1
	11. 2391-1	Trunnion Housing Assembly	1 (2 on twin)
	12. 4-M605	Tilt Interlock Switch	1
	13. 3546-1	Actuator Collar	1
	14. 1-R315	Retaining Ring, External	1
	15. 9025-1	Square HD Set Screw, 3/8-16NC x 1/2	2
*	16. 5162-1	Solenoid Valve, 2 Way Direct Acting	1
*	17.	Cassida "FM Hydraulic Oil 32" or Equivalent, Tank Capacity: 20.71 U.S. Gallons, Fluid Level: 13.62 U.S. Gallons	1

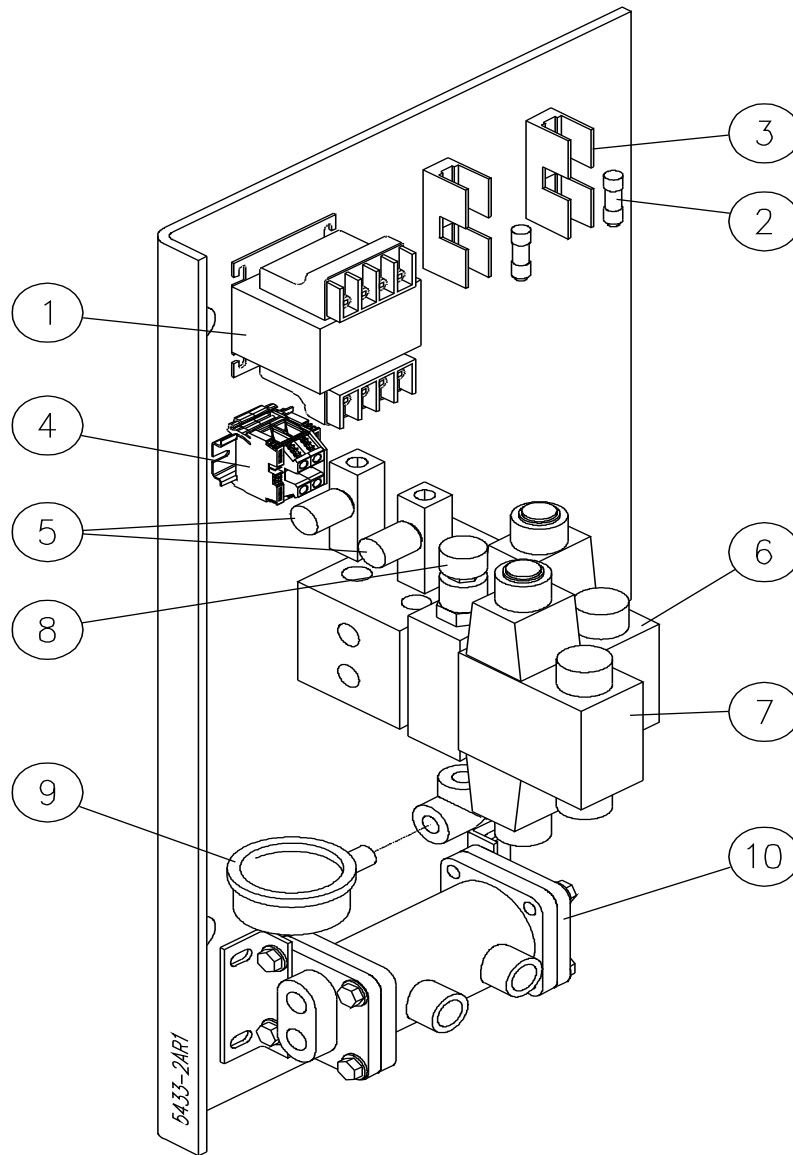
* NOT SHOWN

** SELECT AS REQUIRED

PARTS LIST, ELECTRIC LEG-MOUNTED TILTING MIXER KETTLES,
MODELS ELTM-40 TO ELTM-100, ELTM-40-2 TO 100-2

FIGURE 5

HYDRAULIC AND ELECTRICAL COMPONENTS



PARTS LIST, ELECTRIC LEG-MOUNTED TILTING MIXER KETTLES,
 MODELS ELTM-40 TO ELTM-100, ELTM-40-2 TO 100-2

FIGURE 5

<u>ITEM</u>	<u>PART NO.</u>	<u>DESCRIPTION</u>	<u>QUANTITY</u>
**	1. 4-T256	Transformer, 208V, 200VA	1
	4-T253	Transformer, 220-480V, 200VA	1
	4694-200	Transformer, 600V, 200VA	1
	2. 9001-3	Fuse, 1 Amp.	2
	3. 9002-1	Fuse Block	2
	4. 9390-2	Modular Terminal Assembly, 2 Poles	1
		Includes the Following Parts:	
	9391-1	Modular Terminal	2
	9392-1	End Plate	1
	9393-1	End Clamp	2
	9394-053	Mounting Rail, 53 mm	1
	5. 5359-1	Flow Control	2
	6. 9251-1	Control Valve (Motors)	1
	* 9118-1	Coil, 110/120 VAC, 50/60 Hz	1
	* 9304-12	Bolt Kit	1
	7. 9252-1	Directional Control (Bridge)	1
	* 9118-1	Coil, 110/120 VAC 50/60 Hz	2
	* 9304-27	Bolt Kit	1
	8. 5356-1	Pressure Reducer (Bridge)	1
	9. 5358-1	Pressure Gauge, 0-2000 PSI	1
	10. 5350-1	Oil Cooler	1

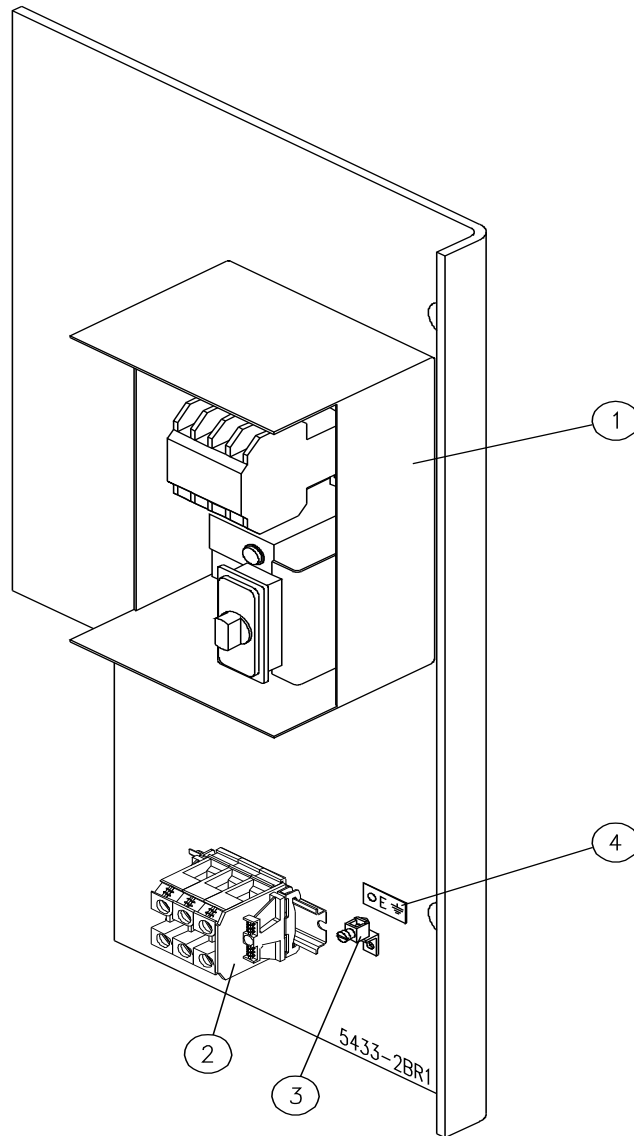
* NOT SHOWN.

* SELECT AS REQUIRED.

PARTS LIST, ELECTRIC LEG-MOUNTED TILTING MIXER KETTLES,
MODELS ELTM-40 TO ELTM-100, ELTM-40-2 TO 100-2

FIGURE 6

STARTER BOX



PARTS LIST, ELECTRIC LEG-MOUNTED TILTING MIXER KETTLES,
 MODELS ELTM-40 TO ELTM-100, ELTM-40-2 TO 100-2

FIGURE 6

<u>ITEM</u>	<u>PART NO.</u>	<u>DESCRIPTION</u>	<u>QUANTITY</u>
**	1.	3030-1 Starter Box Assembly (208V)	1
		4785-1 Contactor	1
		4786-1 Overload (12-17)	1
		4789-1 Switch	1
		3030-2 Starter Box Assembly (240V)	1
		4785-1 Contactor	1
		4786-2 Overload (8.5 - 12.5)	1
		4789-1 Switch	1
		3030-3 Starter Box Assembly (380V, 415V)	1
		4785-3 Contactor	1
		4786-3 Overload (6-9)	1
		4789-1 Switch	1
		3030-5 Starter Box Assembly (480V, 600V)	1
		9165-1 Contactor	1
		9166-1 Overload (4-6)	1
		4789-1 Switch	1
**	2.	6161-3 Modular Terminal Assembly, 3 Pole Includes the following parts:	1
		9374-1 Modular Terminal, Grey	3
		9375-1 End Plate	1
		9369-1 End Clamp	2
		9368-079 Mounting Rail, 79 mm	1
**		61614N Modular Terminal Assy, 3 Pole W/Neutral	1

PARTS LIST, ELECTRIC LEG-MOUNTED TILTING MIXER KETTLES,
 MODELS ELTM-40 TO ELTM-100, ELTM-40-2 TO 100-2

<u>ITEM</u>	<u>PART NO.</u>	<u>DESCRIPTION</u>	<u>QUANTITY</u>
		Includes the following parts:	
	9374-1	Modular Terminal, Grey	3
	9374-2	Modular Terminal, Blue	1
	9375-1	End Plate	2
	9369-1	End Clamp	2
	9368-098	Mounting Rail	1
3.	4-70EU	Ground Lug	1
4.	4188-1	Earth ID Tag	1

** SELECT AS REQUIRED.

PARTS LIST, ELECTRIC LEG-MOUNTED TILTING MIXER KETTLES,
 MODELS ELTM-40 TO ELTM-100, ELTM-40-2 TO 100-2

FIGURE 7

<u>ITEM</u>	<u>PART NO.</u>	<u>DESCRIPTION</u>	<u>QUANTITY</u>
1.	5312-3	Woodruff Key	2
2.	1157-1	Agitator Coupling	1
3.	1157-2	Agitator Coupling	1
4.	9076-1	Hex Socket Set Screw, 5/16 - 18 x 5/8	2
5.	1157-3	Washer, Stainless Steel	1
6.	M50S-1420-34	Hex HD Screw, 1/4 - 20 x 3/4, Stainless Steel	2
**	7. 4999-1	Scraper Blades (40 Gallon)	23
	4999-1	Scraper Blades (60 Gallon)	28
	4999-1	Scraper Blades (80 Gallon)	32
	4999-1	Scraper Blades (100 Gallon)	36
**	8. 7052-2	Primary Agitator (40 Gallon)	1
	7053-2	Primary Agitator (60 Gallon)	1
	7054-2	Primary Agitator (80 Gallon)	1
	7055-2	Primary Agitator (100 Gallon)	1
**	9. 2390-2	Secondary Agitator (40 Gallon)	1
	3024-2	Secondary Agitator (60 Gallon)	1
	3025-2	Secondary Agitator (80 Gallon)	1
	3026-2	Secondary Agitator (100 Gallon)	1
10.	4562-1	Retaining Ring	2
11.	5064-1	Protector	1
12.	5093-2N	Retaining Ring	1
13.	5093-1	Bearing	2
14.	5063-1	Bearing Spacer Inner	1

PARTS LIST, ELECTRIC LEG-MOUNTED TILTING MIXER KETTLES,
MODELS ELTM-40 TO ELTM-100, ELTM-40-2 TO 100-2

<u>ITEM</u>	<u>PART NO.</u>	<u>DESCRIPTION</u>	<u>QUANTITY</u>
15.	5063-2	Bearing Spacer Outer	1
16.	5093-3	Retaining Ring	1
17.	5092-1	Friction Disc	1
18.	5061-1	Collar Assembly	1
19.	9075-1	Set Screw, 1/4 - 20 x 1	3
20.	9030-1	Nut, 1/4 - 20	3
21.	9076-1	Set Screw, 5/16 - 18 x 5/8	2
22.	M50S-51618-78	Hex HD Screw, 5/16 - 18 x 7/8	1
23.	M50X-1420-12	Hex Bolt, 1/4 - 20 x 1/2	2
24.	F01X-14	Flat Washer, 1/4"	2
25.	M93C-632-78	Screw Pan Slot, #6	2
26.	E01X-6	External Tooth Lock Washer, #6	2
27.	4-M605	Limit Switch	1
28.	REF	Fiche Paper	1
29.	5056-1	Limit Switch Bracket	1
30.	9074-1	Hex Socket Set Screw, 3/8" - 16 x 1-1/2"	1
31.	9029-3	Hex Nut, 3/8" - 16	1
32.	1325-1	Swivel Base	1
33.	1-XR75	Retaining Ring	2
34.	2398-1	Tilt Shaft, Bridge	1
35.	5243-1	Double Pilot Check Valve	1
36.	9-3136	Cylinder	1
37.	9121-3	Mercury Switch	1
*	9121-2	Mercury Switch Bracket	1
38.	9358-1	Hydraulic Motor Secondary	1

PARTS LIST, ELECTRIC LEG-MOUNTED TILTING MIXER KETTLES,
MODELS ELTM-40 TO ELTM-100, ELTM-40-2 TO 100-2

<u>ITEM</u>	<u>PART NO.</u>	<u>DESCRIPTION</u>	<u>QUANTITY</u>
	39. 9359-1	Hydraulic Motor Primary	1
**	40. 7191-1	Bridge Cover (40 Gallon)	1
	7191-2	Bridge Cover (60 Gallon)	1
	7191-3	Bridge Cover (80 Gallon)	1
	7191-4	Bridge Cover (100 Gallon)	1
	41. 4062-1	Pin c/w Clips	2
	42. 4-RL55	Relay	2
**	43. 9285-1	Connector, Male "O" Ring Boss, 3/8	2
	9285-2	Connector, Male "O" Ring Boss, 1/2	2
	44. M50S-3816-178	Hex Head Screw, 3/8 - 16 UNC x 1-7/8	2
	45. 9030-3	Hex Nut, 3/8 - 16 UNC	2
**	46. 9284-1	Elbow, 90° Male "O" Ring Boss, 3/8	2
	9284-2	Elbow 90° Male "O" Ring Boss, 1/2	2
	47. 9354-1	Hydraulic Cylinder Yoke	1
	48. 1-R350	External Retaining Ring	4

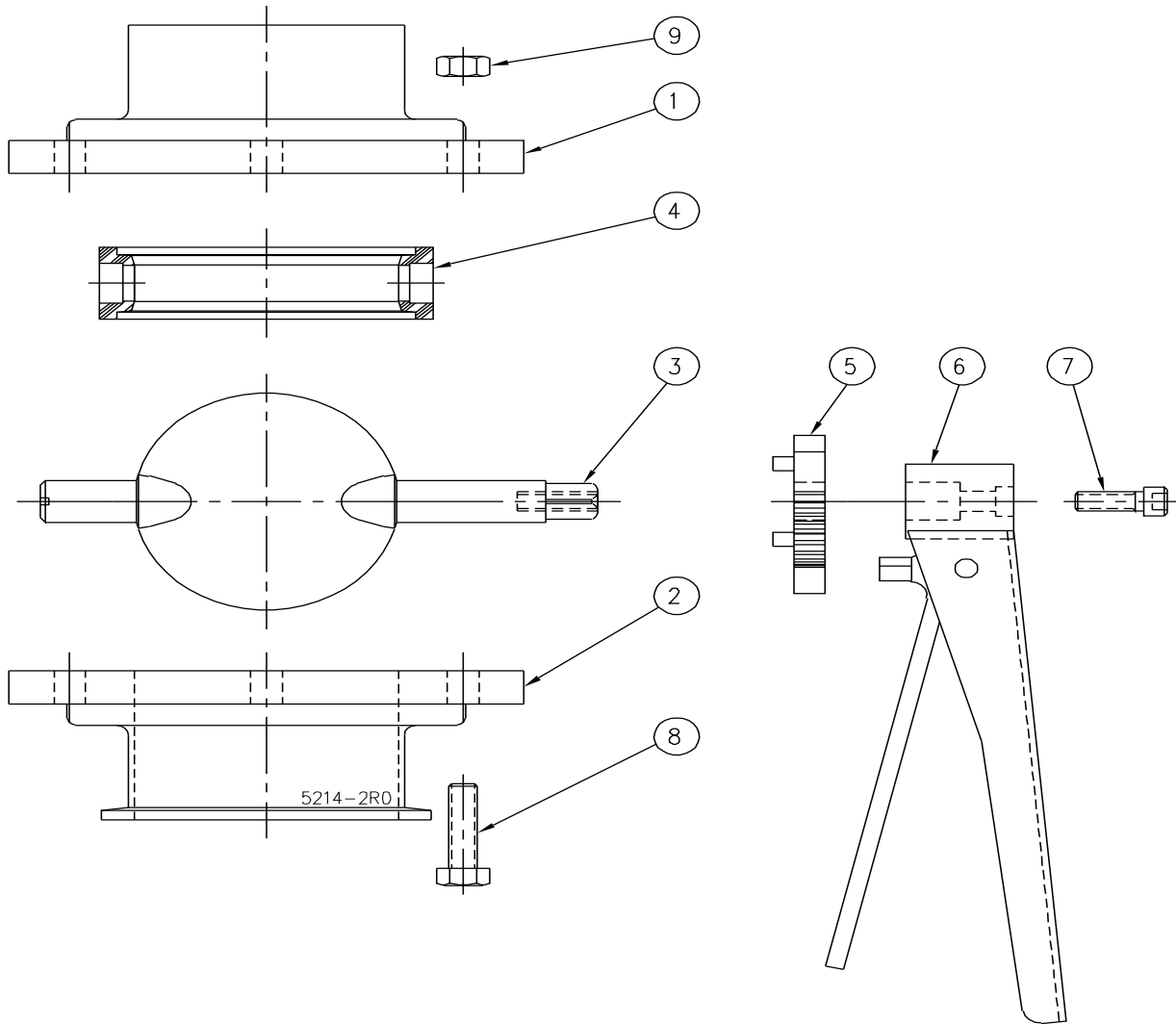
* NOT SHOWN.

** SELECT AS REQUIRED.

PARTS LIST, ELECTRIC LEG-MOUNTED TILTING MIXER KETTLES,
MODELS ELTM-40 TO ELTM-100, ELTM-40-2 TO 100-2

FIGURE 8

BUTTERFLY VALVE



PARTS LIST, ELECTRIC LEG-MOUNTED TILTING MIXER KETTLES,
MODELS ELTM-40 TO ELTM-100, ELTM-40-2 TO 100-2

FIGURE 8

TWO INCH BUTTERFLY VALVE

<u>ITEM</u>	<u>PART NO.</u>	<u>DESCRIPTION</u>	<u>QUANTITY</u>
1.	5215-3	Body Half	1
2.	5215-4	Body Half	1
3.	4045-3	Stem	1
4.	5210-1	Silicon Seat	1
5.	5209-3	Intermediate Step	1
6.	4046-2	Handle	1
7.	5217-1	Hex Bolt	1
8.	4048-1	Hex Bolt	4
9.	4049-1	Hex Nut	4

PARTS LIST, ELECTRIC LEG-MOUNTED TILTING MIXER KETTLES,
MODELS ELTM-40 TO ELTM-100, ELTM-40-2 TO 100-2

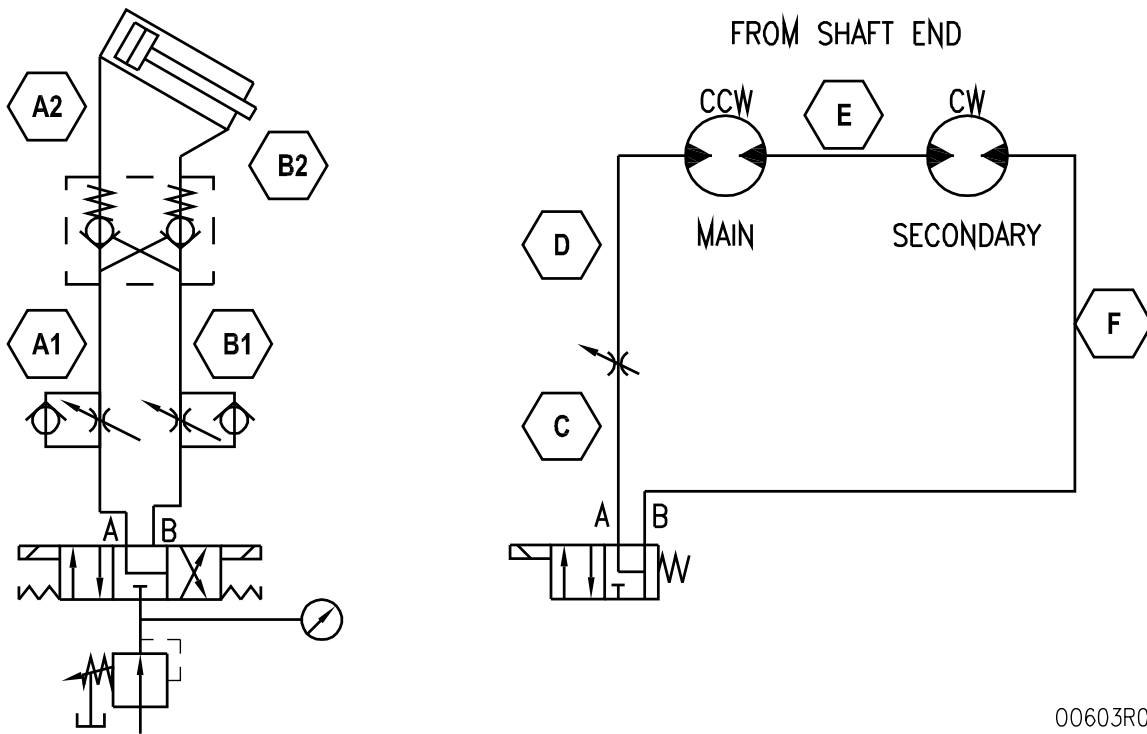
THREE INCH BUTTERFLY VALVE

<u>ITEM</u>	<u>PART NO.</u>	<u>DESCRIPTION</u>	<u>QUANTITY</u>
1.	5216-3	Body Half	1
2.	5216-4	Body Half	1
3.	4045-4	Stem	1
4.	5212-1	Silicon Seat	1
5.	5209-4	Intermediate Step	1
6.	4046-2	Handle	1
7.	5217-1	Hex Bolt	1
8.	4048-2	Hex Bolt	6
9.	4049-1	Hex Nut	6

PARTS LIST, ELECTRIC LEG-MOUNTED TILTING MIXER KETTLES,
 MODELS ELTM-40 TO ELTM-100, ELTM-40-2 TO 100-2

FIGURE 9

HYDRAULIC HOSES



PARTS LIST, ELECTRIC LEG-MOUNTED TILTING MIXER KETTLES,
 MODELS ELTM-40 TO ELTM-100, ELTM-40-2 TO 100-2

FIGURE 9

<u>ITEM</u>	<u>PART NO.</u>	<u>DESCRIPTION</u>	<u>QUANTITY</u>			
			<u>40</u>	<u>60</u>	<u>80</u>	<u>100</u>
A1	5363-1	Hose Assembly	1	1		
	5363-2	Hose Assembly			1	1
	5363-3	Hose Assembly				1
A2	5364-1	Hose Assembly	1	1	1	1
B1	5365-1	Hose Assembly	1	1		
	5365-2	Hose Assembly			1	
	5365-3	Hose Assembly				1
B2	5366-1	Hose Assembly	1	1	1	1
C	5367-1	Hose Assembly	1			
	5367-2	Hose Assembly		1		
	5367-3	Hose Assembly			1	
	5367-4	Hose Assembly				1
D	5368-1	Hose Assembly	1			
	5368-2	Hose Assembly		1		
	5368-3	Hose Assembly			1	
	5368-4	Hose Assembly				1
E	5369-1	Hose Assembly	1			
	5369-2	Hose Assembly		1	1	
	5369-3	Hose Assembly				1
F	5370-1	Hose Assembly	1			
	5370-2	Hose Assembly		1		
	5370-3	Hose Assembly			1	1
PC*	5371-1	Hose Assembly	1	1	1	1

* PC = Pump Connection, Not Shown.