

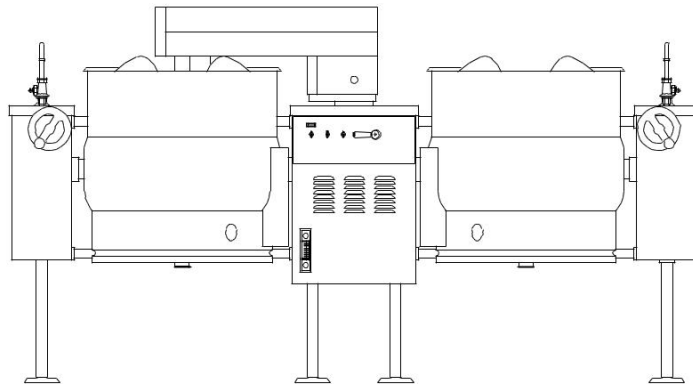
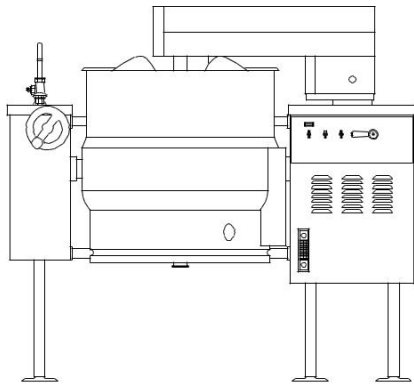


**IMPORTANT FOR FUTURE REFERENCE**  
 Please complete this information and retain this manual for the life of the equipment:

Model #: \_\_\_\_\_  
 Serial #: \_\_\_\_\_  
 Date Purchased: \_\_\_\_\_

## PARTS LIST

'9`Ywf]WGYZ; YbYfU]b[ `G]b[ `Y`UbX`Hk ]b`A ]l Yf`? Yh`Yg`  
 `9 @HA!(\$!fBL`9 @HA!\* \$!fBL`9 @HA!, \$!fBL`9 @HA!%\$\$!fBL



**⚠ WARNING**

Improper installation, adjustment, alteration, service or maintenance can cause property damage, injury or death. Read the installation, operating and maintenance instructions thoroughly before installing or servicing this equipment.

**CROWN FOOD SERVICE EQUIPMENT**

 A Middleby Company

70 Oakdale Road, Downsview (Toronto) Ontario, Canada, M3N 1V9  
 Telephone: 919-762-1000      www.crownsteamgroup.com

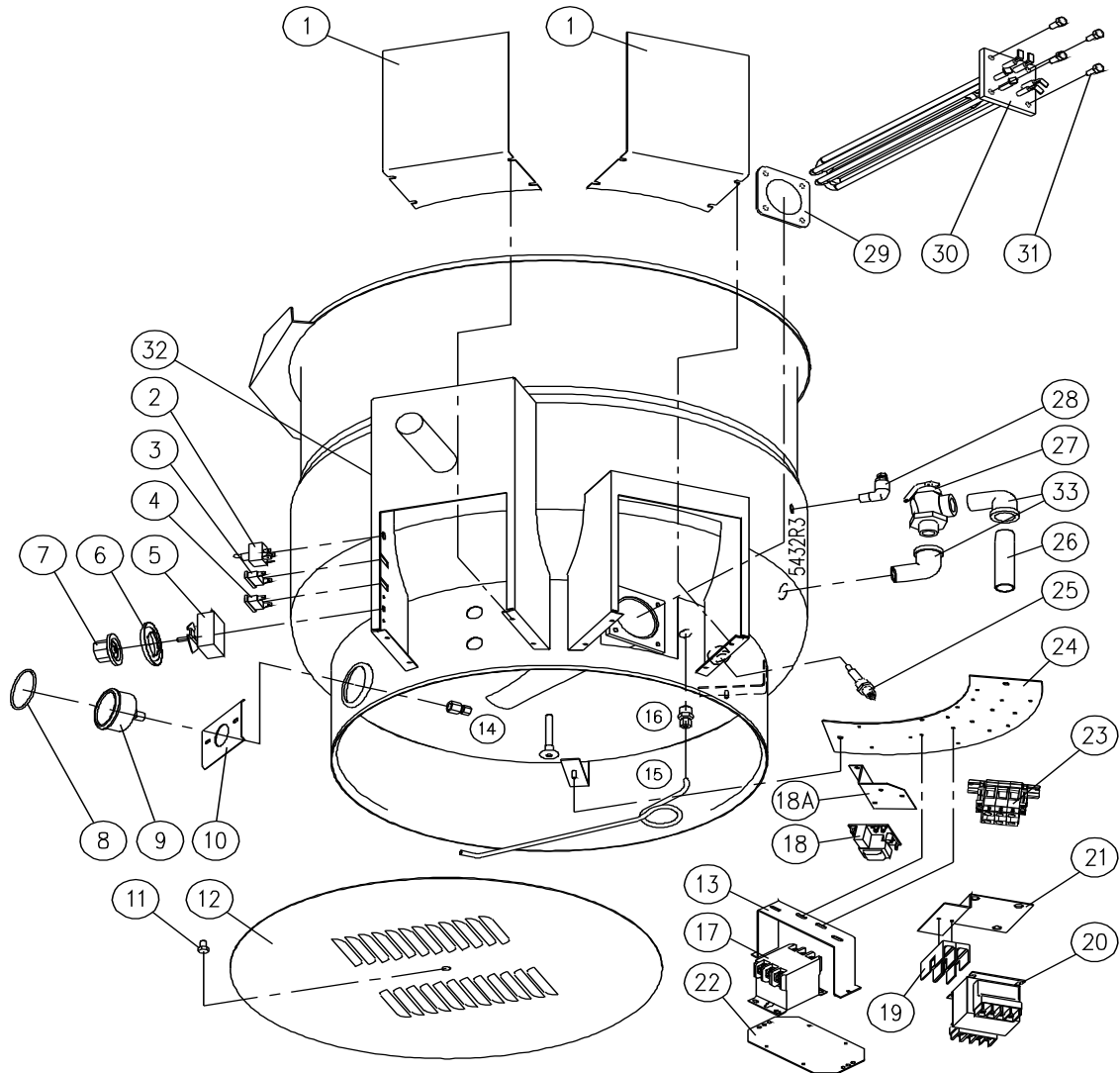
Printed in Canada



PARTS LIST, ELECTRIC LEG-MOUNTED TILTING MIXER KETTLES,  
MODELS ELTM-40 TO ELTM-100, ELTM-40-2 TO 100-2

**FIGURE 1**

**ELECTRIC TILT MIXER**



PARTS LIST, ELECTRIC LEG-MOUNTED TILTING MIXER KETTLES,  
 MODELS ELTM-40 TO ELTM-100, ELTM-40-2 TO 100-2

**FIGURE 1**

<u>ITEM</u>	<u>PART NO.</u>	<u>DESCRIPTION</u>	<u>QUANTITY PER</u>			
			<u>KETTLE</u>			
			<u>40</u>	<u>60</u>	<u>80</u>	<u>100</u>
1.	6880-3	Housing Cover	2			
	6880-4	Housing Cover		2		
	6880-5	Housing Cover			2	
	6880-6	Housing Cover				2
2.	9110-1	Power Switch	1	1	1	1
3.	4996-5	Pilot Light - Low Water	1	1	1	1
4.	4996-5	Pilot Light - Temperature	1	1	1	1
5.	9126-1	Thermostat	1	1	1	1
6.	4-TB05	Bezel	1	1	1	1
7.	6311-1	Knob Assembly (1-10)	1	1	1	1
	5975-2	Knob Assembly (°F)	1	1	1	1
	5976-2	Knob Assembly (°C)	1	1	1	1
8.	2-230R	"O" Ring	1	1	1	1
9.	4967-1	Pressure Gauge	1	1	1	1
10.	3407-1	Pressure Gauge Mounting Plate	1	1	1	1
11.	M50S-51618-12	Hex Bolt, 5/16 - 18 x 1/2"	1	1	1	1
12.	3041-9	Bottom Cover	1			
	3041-10	Bottom Cover		1		
	3041-11	Bottom Cover			1	
	3041-12	Bottom Cover				1
** 13.	8234-1	Adapter Plate Bracket, Contactor, 208-240V	1	1	1	1
	8369-1	Adapter Plate Bracket, Contactor, 380-600V	1	1	1	1

PARTS LIST, ELECTRIC LEG-MOUNTED TILTING MIXER KETTLES,  
MODELS ELTM-40 TO ELTM-100, ELTM-40-2 TO 100-2

<u>ITEM</u>	<u>PART NO.</u>	<u>DESCRIPTION</u>	<u>QUANTITY PER</u>				
			<u>KETTLE</u>				
			<u>40</u>	<u>60</u>	<u>80</u>	<u>100</u>	
14.	3-664B	Connector, 1/4 C x 1/4 FPT	1	1	1	1	
15.	5514-2	Pressure Gauge - Copper Tube, 28"	1				
	5514-3	Pressure Gauge - Copper Tube, 29"		1			
	5514-4	Pressure Gauge - Copper Tube, 33"			1		
	5514-5	Pressure Gauge - Copper Tube, 35"				1	
16.	3-684C	Connector, 1/4 C x 3/8 MPT	1	1	1	1	
**	17.	9348-208	Contact, 3 Pole, 50 Amp, 208 - 240V, 24 kW	2	2	2	2
		9348-208	Contact, 3 Pole, 50 Amp, 380 - 600V, 24 kW	1	1	1	1
		9349-208	Contact, 3 Pole, 75 Amp, 208 - 240, 33 kW		2	2	2
		9349-208	Contact, 3 Pole, 75 Amp, 380 - 480, 33 kW		1	1	1
		9348-208	Contact, 3 Pole, 50 Amp, 600V, 33 kW		1	1	1
18.	3974-2	Water Level Control	1	1	1	1	
18A.	5885-1	Water Level Control Mounting Bracket	1	1	1	1	
**	19.	9001-2	Fuse, 1/2 A, 600V, (380 - 600V)	2	2	2	2
**		9092-3	Fuse, 3A, 250V (220/380V and 240/415V)	1	1	1	1
**		9092-3	Fuse, 3A, 250V (208 - 240V)	2	2	2	2
**		9002-1	Fuse Holder, 600V (380 - 600V)	2	2	2	2
		9068-1	Fuse Holder, 250V (220/380V and 240/415V)	1	1	1	1
		9068-1	Fuse Holder, 250V (208 - 240V)	2	2	2	2

PARTS LIST, ELECTRIC LEG-MOUNTED TILTING MIXER KETTLES,  
MODELS ELTM-40 TO ELTM-100, ELTM-40-2 TO 100-2

<u>ITEM</u>	<u>PART NO.</u>	<u>DESCRIPTION</u>	<u>QUANTITY PER KETTLE</u>				
			<u>40</u>	<u>60</u>	<u>80</u>	<u>100</u>	
**	20.	4-T251	Transformer, 380, 415V, 100VA	1	1	1	1
		4-T255	Transformer, 480V, 100VA	1	1	1	1
		4-T260	Transformer, 600V/100VA	1	1	1	1
**	21.	5164-1	Transformer/Fuse Block Mounting Plate (380, 480, 415, 600V)	1	1	1	1
**	22.	6042-1	Adapter Plate (208-240V)	1	1	1	1
		6126-1	Adapter Plate (380-600V)	1	1	1	1
**	23.	6161-3	Modular Terminal Assembly, 3 Pole (208, 240, 380, 415, 480, 600V) Includes the following parts:	1	1	1	1
		9374-1	Modular Terminal, Grey	3	3	3	3
		9375-1	End Plate	1	1	1	1
		9369-1	End Clamp	2	2	2	2
		9368-079	Mounting Rail, 79 mm	1	1	1	1
**	23.	6161-4N	Modular Terminal Assy, 3 Pole W/Neutral Includes the following parts:	1	1	1	1
		9374-1	Modular Terminal, Grey	3	3	3	3
		9375-1	End Plate	1	1	1	1
		9369-1	End Clamp	2	2	2	2
		9368-098	Mounting Rail	1	1	1	1
	24.	2782-1	Component Mounting Plate	1			
		2784-1	Component Mounting Plate		1		
		2785-1	Component Mounting Plate			1	1
	25.	4-LLP1	Probe	1	1	1	1
	26.	5184-1	Down Tube	1	1	1	1

PARTS LIST, ELECTRIC LEG-MOUNTED TILTING MIXER KETTLES,  
MODELS ELTM-40 TO ELTM-100, ELTM-40-2 TO 100-2

<u>ITEM</u>	<u>PART NO.</u>	<u>DESCRIPTION</u>	<u>QUANTITY PER</u>			
			<u>KETTLE</u>			
			<u>40</u>	<u>60</u>	<u>80</u>	<u>100</u>
27.	3-SRV9-1	Relief Valve, 50 PSI	1	1	1	1
28.	3-AV01	Air Vent Assembly	1	1	1	1
29.	5986-1	Element Gasket	1	1	1	1
** 30.	7-5031	Element Assembly c/w Gasket, 208V, 24 kW	1	1	1	1
	7-5037	Element Assembly c/w Gasket, 220/380V, 24 kW	1	1	1	1
	7-5032	Element Assembly c/w Gasket, 240/416V, 24 kW	1	1	1	1
	7-5033	Element Assembly c/w Gasket, 480V, 24 kW	1	1	1	1
	9-3299	Element Assembly c/w Gasket, 600V, 24 kW	1	1	1	1
	7-5034	Element Assembly c/w Gasket, 208V, 33 kW		1	1	1
	7-5038	Element Assembly c/w Gasket, 220/380V, 33 kW		1	1	1
	7-5035	Element Assembly c/w Gasket, 240/416V, 33 kW		1	1	1
	7-5036	Element Assembly c/w Gasket, 480V, 33 kW		1	1	1
	2348-2	Element Assembly c/w Gasket, 600V, 33 kW		1	1	1
31.	M50S-51618-34	Hex Bolt, 5/16 - 18 x 3/4	4	4	4	4
** 32.	6561-4	Control Panel Decal	1			
	6561-5	Control Panel Decal		1		
	6561-6	Control Panel Decal			1	
	6561-7	Control Panel Decal				1
33.	9012-4P	Street Elbow 90°, 3/4" NPT	2	2	2	2

PARTS LIST, ELECTRIC LEG-MOUNTED TILTING MIXER KETTLES,  
 MODELS ELTM-40 TO ELTM-100, ELTM-40-2 TO 100-2

<u>ITEM</u>	<u>PART NO.</u>	<u>DESCRIPTION</u>	<u>QUANTITY PER</u>			
			<u>KETTLE</u>			
			<u>40</u>	<u>60</u>	<u>80</u>	<u>100</u>
						1

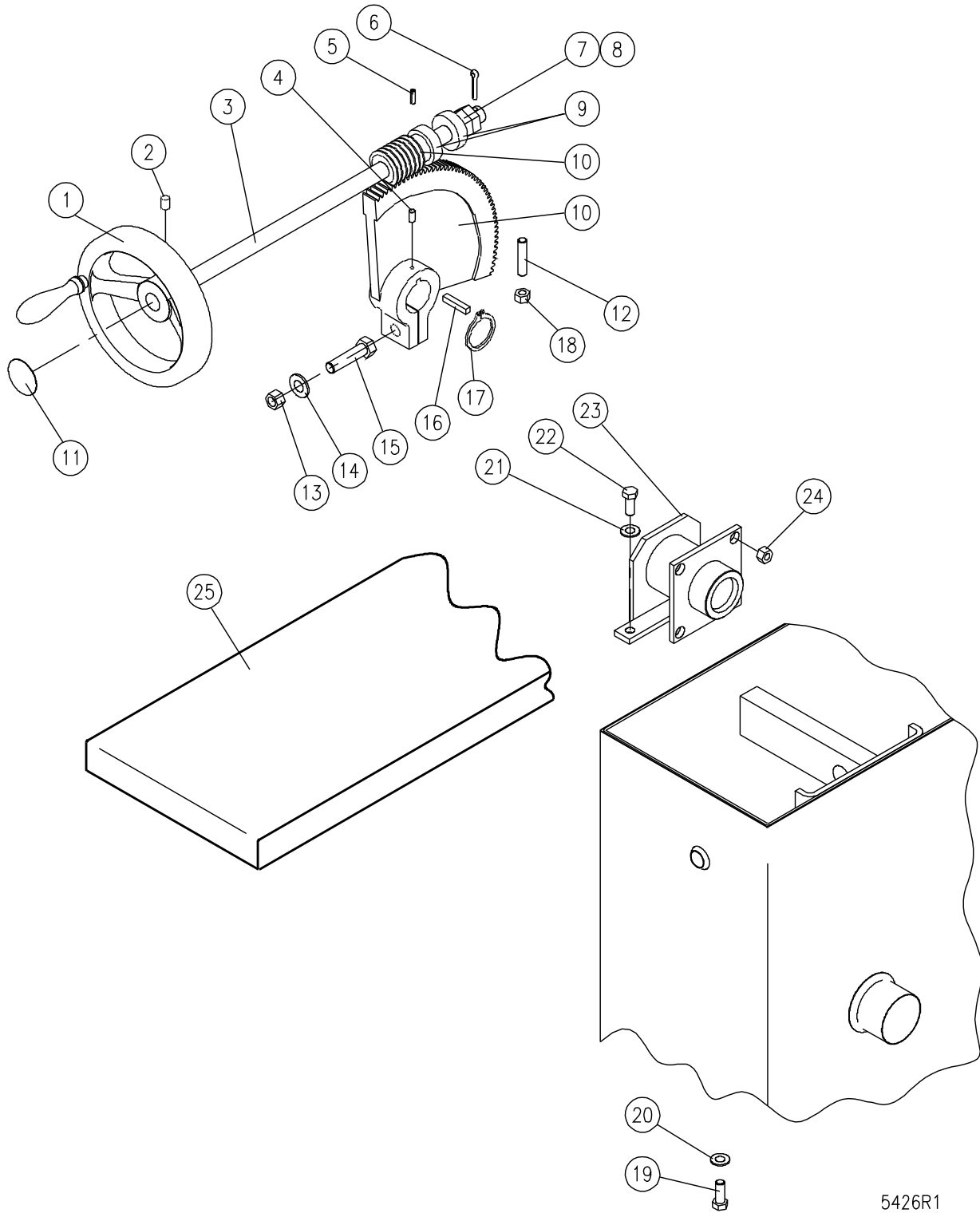
\* NOT SHOWN.

\*\* SELECT AS REQUIRED.

PARTS LIST, ELECTRIC LEG-MOUNTED TILTING MIXER KETTLES,  
MODELS ELTM-40 TO ELTM-100, ELTM-40-2 TO 100-2

TILT CONSOLE

FIGURE 2



PARTS LIST, ELECTRIC LEG-MOUNTED TILTING MIXER KETTLES,  
 MODELS ELTM-40 TO ELTM-100, ELTM-40-2 TO 100-2

**FIGURE 2**

<u>ITEM</u>	<u>PART NO.</u>	<u>DESCRIPTION</u>	<u>QUANTITY</u>
1.	8-2054	Hand Wheel	1
2.	9061-5	Set Screw, 3/8 - 16 x 1/2"	1
3.	6738-2	Tilt Shaft	1
4.	9061-4	Set Screw, 1/4 - 20 x 1/2"	1
5.	9032-7	Tension Pin, 3/16" x 1-1/4" L	1
6.	5329-1	Cotter Pin, Stainless Steel, 3/16 x 1"	1
7.	2-HN66	Jam Nut	2
8.	5328-1	Washer, 3/4 Inside Diameter x 1-1/4 Outside Diameter	1
9.	5327-1	Thrust Bearing	2
10.	5393-1	Segment Gear and Worm Gear (Includes Items 4, 5, 13 to 17)	1
11.	5608-2	Decal - Tilt	1
12.	9061-6	Set Screw, 3/8 - 16 x 1-3/4"	1
13.	1-99C0	Nut, 1/2 - 13	1
14.	S01C-12	Lock Washer, 1/2"	1
15.	M50C-1213-2	Hex HD Screw, 1/2 - 13 x 2"	1
16.	6321-1	Square Key, 1/4" x 1-3/8"	1
17.	1-R315	Retaining Ring	1
18.	1-79C0	Nut, 3/8 - 16	1
19.	M50C-3816-1	Hex HD Screw, 3/8 - 16 x 1"	4
20.	S01C-38	Lock Washer, 3/8"	4
21.	S05N-38	Lock Washer, 3/8" Stainless Steel	6
22.	M50S-3816-114	Hex HD Screw, 3/8 - 16 x 1-1/4"	2

PARTS LIST, ELECTRIC LEG-MOUNTED TILTING MIXER KETTLES,  
 MODELS ELTM-40 TO ELTM-100, ELTM-40-2 TO 100-2

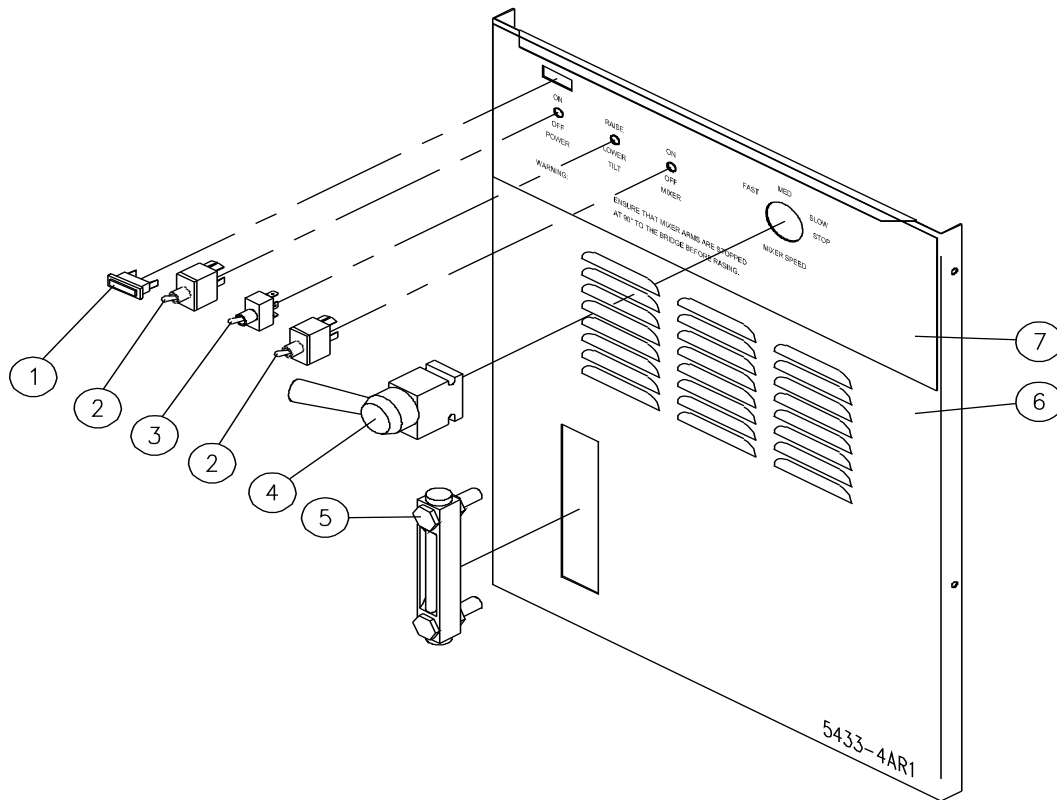
<u>ITEM</u>	<u>PART NO.</u>	<u>DESCRIPTION</u>	<u>QUANTITY</u>	
23.	4009-1	Trunnion Housing Assembly	1	
24.	9030-3	Hex Nut, 3/8 - 16 Stainless Steel	4	
**	25.	2905-1	Console Cover	1
		2910-1	Console Cover - Faucet Mounting	1
		4327-1	Single Pantry Faucet with 18" Nozzle (SF-18)	1 (2 on twin)
		4326-1	Double Pantry Faucet with 18" Nozzle (DF-18)	1 (2 on twin)

\* \* SELECT AS REQUIRED.

PARTS LIST, ELECTRIC LEG-MOUNTED TILTING MIXER KETTLES,  
MODELS ELTM-40 TO ELTM-100, ELTM-40-2 TO 100-2

**FIGURE 3**

**MIXER CONSOLE CONTROL PANEL**



PARTS LIST, ELECTRIC LEG-MOUNTED TILTING MIXER KETTLES,  
 MODELS ELTM-40 TO ELTM-100, ELTM-40-2 TO 100-2

**FIGURE 3**

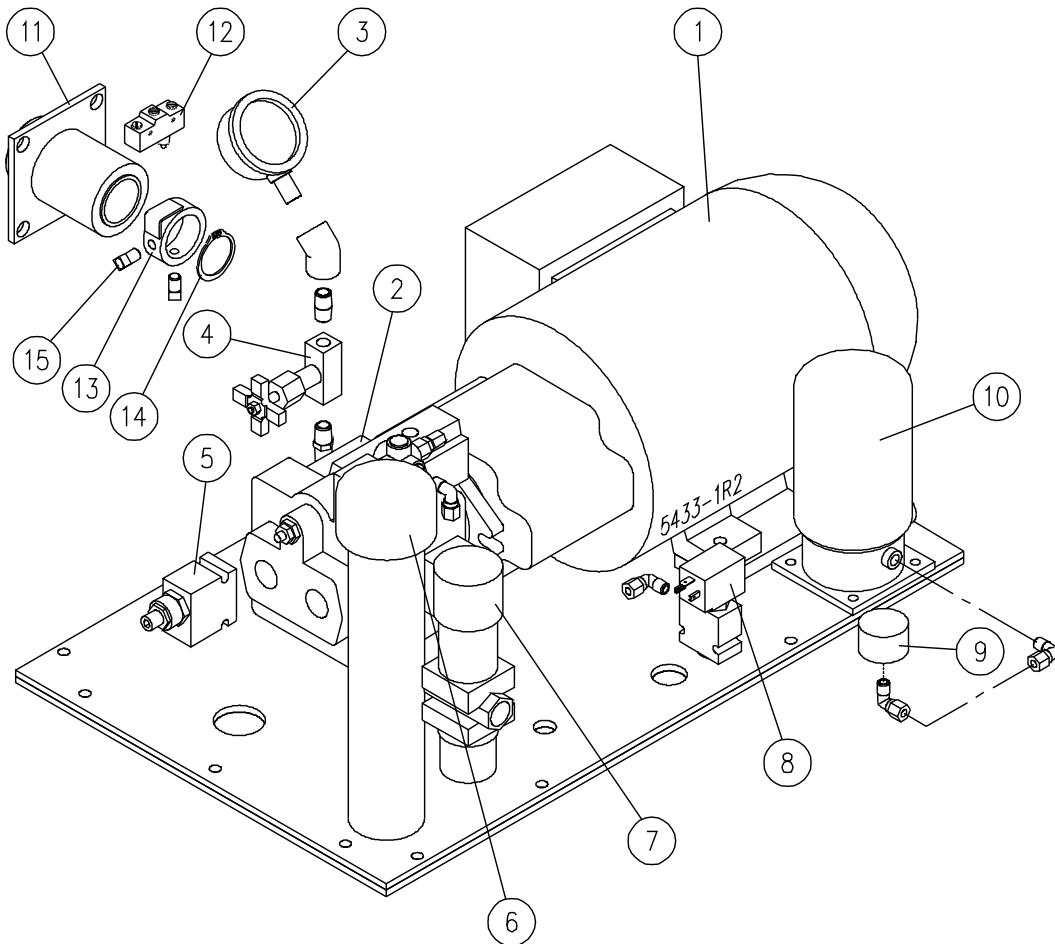
<u>ITEM</u>	<u>PART NO.</u>	<u>DESCRIPTION</u>	<u>QUANTITY</u>				
			<u>40</u>	<u>60</u>	<u>80</u>	<u>100</u>	
1.	4-PL08	Pilot Light	1	1	1	1	
2.	9110-1	Power Switch	2	2	2	2	
3.	9111-1	Bridge Switch	1	1	1	1	
4.	9-3116	Speed Control Valve (Includes Handle)	1	1	1	1	
	9199-1	Handle	1	1	1	1	
5.	3872-1	Sight Glass Gauge	1	1	1	1	
6.	7186-1	Front Console Cover	1	1	1	1	
7.	2342-3	Control Label, Black	1	1	1	1	
*	8.	2902-1	Back Console Cover	1	1	1	1
*	9.	7172-5	Front Top Console Cover	1			
		7172-6	Front Top Console Cover		1		
		7172-7	Front Top Console Cover			1	
		7172-8	Front Top Console Cover				1
*	10.	7172-13	Back Top Console Cover	1			
		7172-14	Back Top Console Cover		1		
		7172-15	Back Top Console Cover			1	
		7172-16	Back Top Console Cover				1
*	11.	7172-19	Center Console Cover Assembly	1	1	1	1
*	12.	8-1308	Flanged Adjustable Feet	4	4	4	4

\* NOT SHOWN.

PARTS LIST, ELECTRIC LEG-MOUNTED TILTING MIXER KETTLES,  
MODELS ELTM-40 TO ELTM-100, ELTM-40-2 TO 100-2

**FIGURE 4**

**HYDRAULIC COMPONENTS**



PARTS LIST, ELECTRIC LEG-MOUNTED TILTING MIXER KETTLES,  
MODELS ELTM-40 TO ELTM-100, ELTM-40-2 TO 100-2

**FIGURE 4**

<u>ITEM</u>	<u>PART NO.</u>	<u>DESCRIPTION</u>	<u>QUANTITY</u>
**	1. 9-3121	Motor, 208-230/460V, 3/60 Hz	1
	9-3121-2	Motor, 220-380/415V, 3/50 Hz	1
	9-3121-5	Motor, 550V, 3/60 Hz	1
	2. 9-3123	Piston Pump	1
*	5354-1	Motor Half Coupling	1
*	9-3122	Pump Half Coupling	1
*	5355-1	Insert Coupling	1
	3. 9-3126	Pressure Gauge, 0-3000 PSI	1
	4. 9-3125	Needle Valve	1
	5. 9-3124	Trim Relief Valve	1
	6. 9-3119	Filter Breather	1
	7. 5444-1	Thermostatic Cooling Valve	1
	8. 3906-1	Dump Valve	1
*	3906-2	Coil, 120V, 25W	1
	9. 5434-1	Return Filter Indicator	1
	10. 9-3120	Return Filter	1
	11. 2391-1	Trunnion Housing Assembly	1 (2 on twin)
	12. 4-M605	Tilt Interlock Switch	1
	13. 3546-1	Actuator Collar	1
	14. 1-R315	Retaining Ring, External	1
	15. 9025-1	Square HD Set Screw, 3/8-16NC x 1/2	2
*	16. 5162-1	Solenoid Valve, 2 Way Direct Acting	1
*	17.	Cassida "FM Hydraulic Oil 32" or Equivalent, Tank Capacity: 20.71 U.S. Gallons, Fluid Level: 13.62 U.S. Gallons	1

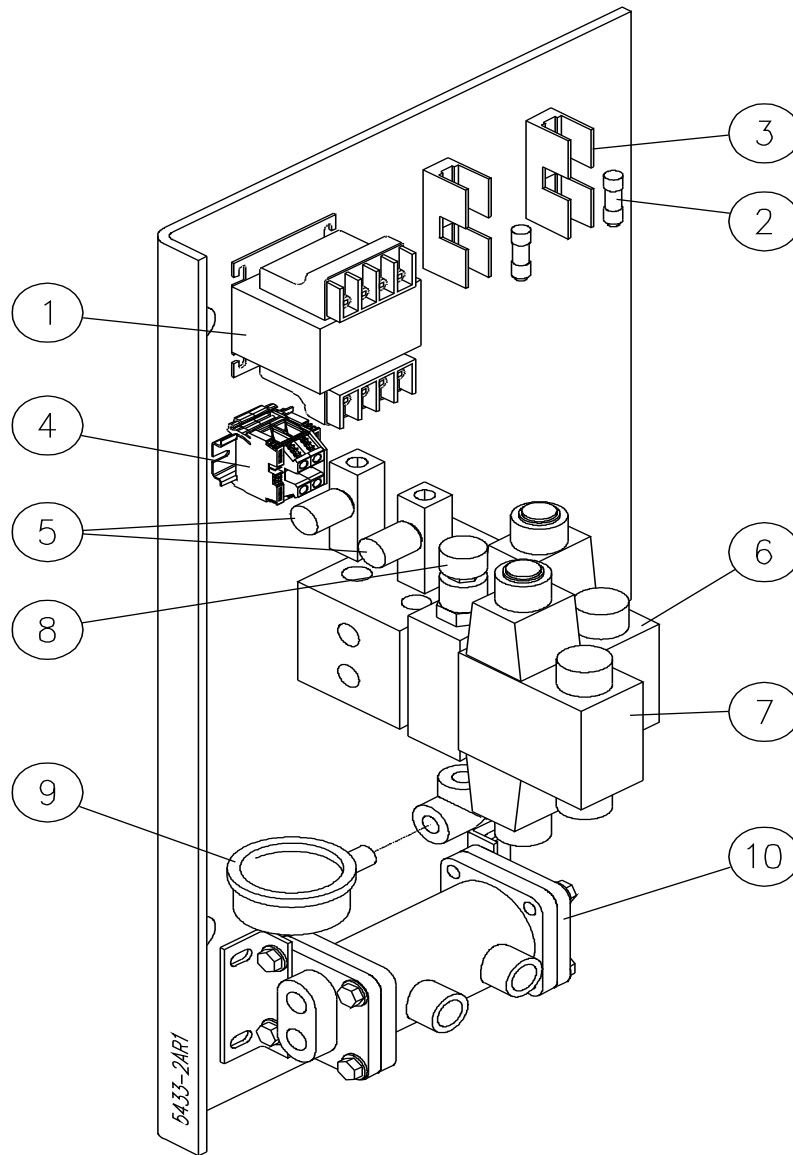
\* NOT SHOWN

\*\* SELECT AS REQUIRED

PARTS LIST, ELECTRIC LEG-MOUNTED TILTING MIXER KETTLES,  
MODELS ELTM-40 TO ELTM-100, ELTM-40-2 TO 100-2

**FIGURE 5**

**HYDRAULIC AND ELECTRICAL COMPONENTS**



PARTS LIST, ELECTRIC LEG-MOUNTED TILTING MIXER KETTLES,  
 MODELS ELTM-40 TO ELTM-100, ELTM-40-2 TO 100-2

**FIGURE 5**

<u>ITEM</u>	<u>PART NO.</u>	<u>DESCRIPTION</u>	<u>QUANTITY</u>
**	1. 4-T256	Transformer, 208V, 200VA	1
	4-T253	Transformer, 220-480V, 200VA	1
	4694-200	Transformer, 600V, 200VA	1
	2. 9001-3	Fuse, 1 Amp.	2
	3. 9002-1	Fuse Block	2
	4. 9390-2	Modular Terminal Assembly, 2 Poles	1
		Includes the Following Parts:	
	9391-1	Modular Terminal	2
	9392-1	End Plate	1
	9393-1	End Clamp	2
	9394-053	Mounting Rail, 53 mm	1
	5. 5359-1	Flow Control	2
	6. 9251-1	Control Valve (Motors)	1
	* 9118-1	Coil, 110/120 VAC, 50/60 Hz	1
	* 9304-12	Bolt Kit	1
	7. 9252-1	Directional Control (Bridge)	1
	* 9118-1	Coil, 110/120 VAC 50/60 Hz	2
	* 9304-27	Bolt Kit	1
	8. 5356-1	Pressure Reducer (Bridge)	1
	9. 5358-1	Pressure Gauge, 0-2000 PSI	1
	10. 5350-1	Oil Cooler	1

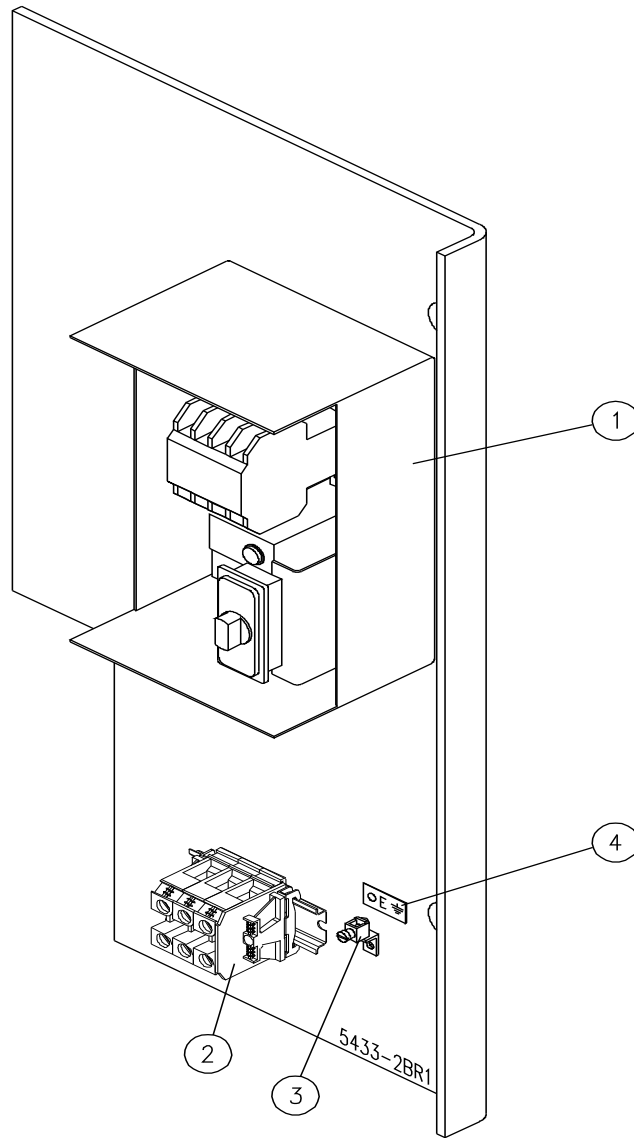
\* NOT SHOWN.

\* SELECT AS REQUIRED.

PARTS LIST, ELECTRIC LEG-MOUNTED TILTING MIXER KETTLES,  
MODELS ELTM-40 TO ELTM-100, ELTM-40-2 TO 100-2

**FIGURE 6**

**STARTER BOX**



PARTS LIST, ELECTRIC LEG-MOUNTED TILTING MIXER KETTLES,  
 MODELS ELTM-40 TO ELTM-100, ELTM-40-2 TO 100-2

**FIGURE 6**

<u>ITEM</u>	<u>PART NO.</u>	<u>DESCRIPTION</u>	<u>QUANTITY</u>
**	1.	3030-1 Starter Box Assembly (208V)	1
		4785-1 Contactor	1
		4786-1 Overload (12-17)	1
		4789-1 Switch	1
		3030-2 Starter Box Assembly (240V)	1
		4785-1 Contactor	1
		4786-2 Overload (8.5 - 12.5)	1
		4789-1 Switch	1
		3030-3 Starter Box Assembly (380V, 415V)	1
		4785-3 Contactor	1
		4786-3 Overload (6-9)	1
		4789-1 Switch	1
		3030-5 Starter Box Assembly (480V, 600V)	1
		9165-1 Contactor	1
		9166-1 Overload (4-6)	1
		4789-1 Switch	1
**	2.	6161-3 Modular Terminal Assembly, 3 Pole Includes the following parts:	1
		9374-1 Modular Terminal, Grey	3
		9375-1 End Plate	1
		9369-1 End Clamp	2
		9368-079 Mounting Rail, 79 mm	1
**		61614N Modular Terminal Assy, 3 Pole W/Neutral	1

PARTS LIST, ELECTRIC LEG-MOUNTED TILTING MIXER KETTLES,  
 MODELS ELTM-40 TO ELTM-100, ELTM-40-2 TO 100-2

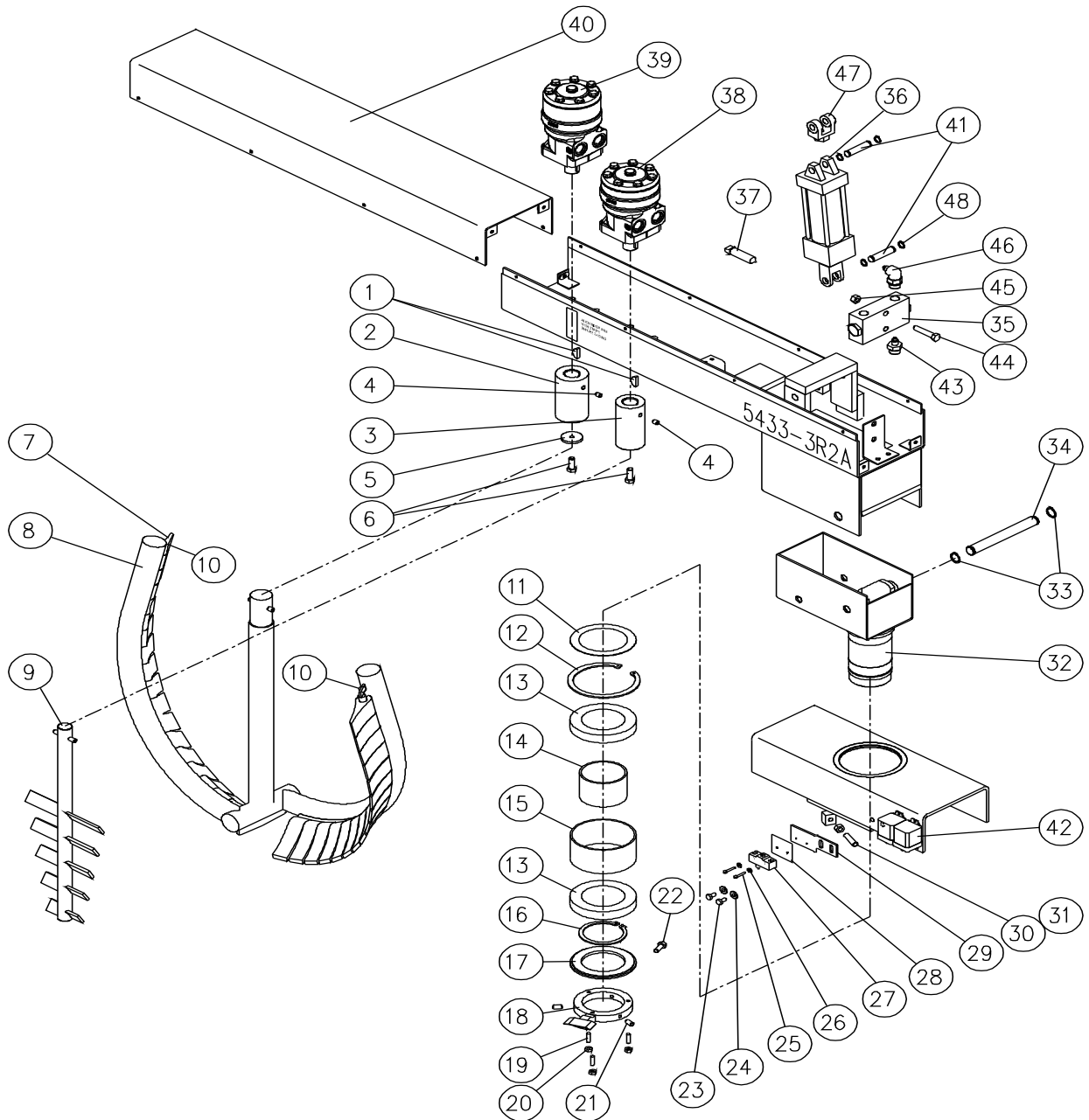
<u>ITEM</u>	<u>PART NO.</u>	<u>DESCRIPTION</u>	<u>QUANTITY</u>
		Includes the following parts:	
	9374-1	Modular Terminal, Grey	3
	9374-2	Modular Terminal, Blue	1
	9375-1	End Plate	2
	9369-1	End Clamp	2
	9368-098	Mounting Rail	1
3.	4-70EU	Ground Lug	1
4.	4188-1	Earth ID Tag	1

\*\* SELECT AS REQUIRED.

PARTS LIST, ELECTRIC LEG-MOUNTED TILTING MIXER KETTLES,  
 MODELS ELTM-40 TO ELTM-100, ELTM-40-2 TO 100-2

**MIXER ARM**

**FIGURE 7**



PARTS LIST, ELECTRIC LEG-MOUNTED TILTING MIXER KETTLES,  
 MODELS ELTM-40 TO ELTM-100, ELTM-40-2 TO 100-2

**FIGURE 7**

<u>ITEM</u>	<u>PART NO.</u>	<u>DESCRIPTION</u>	<u>QUANTITY</u>
	1. 5312-3	Woodruff Key	2
	2. 1157-1	Agitator Coupling	1
	3. 1157-2	Agitator Coupling	1
	4. 9076-1	Hex Socket Set Screw, 5/16 - 18 x 5/8	2
	5. 1157-3	Washer, Stainless Steel	1
	6. M50S-1420-34	Hex HD Screw, 1/4 - 20 x 3/4, Stainless Steel	2
**	7. 4999-1	Scraper Blades (40 Gallon)	23
	4999-1	Scraper Blades (60 Gallon)	28
	4999-1	Scraper Blades (80 Gallon)	32
	4999-1	Scraper Blades (100 Gallon)	36
**	8. 7052-2	Primary Agitator (40 Gallon)	1
	7053-2	Primary Agitator (60 Gallon)	1
	7054-2	Primary Agitator (80 Gallon)	1
	7055-2	Primary Agitator (100 Gallon)	1
**	9. 2390-2	Secondary Agitator (40 Gallon)	1
	3024-2	Secondary Agitator (60 Gallon)	1
	3025-2	Secondary Agitator (80 Gallon)	1
	3026-2	Secondary Agitator (100 Gallon)	1
	10. 4562-1	Retaining Ring	2
	11. 5064-1	Protector	1
	12. 5093-2N	Retaining Ring	1
	13. 5093-1	Bearing	2
	14. 5063-1	Bearing Spacer Inner	1

PARTS LIST, ELECTRIC LEG-MOUNTED TILTING MIXER KETTLES,  
MODELS ELTM-40 TO ELTM-100, ELTM-40-2 TO 100-2

<u>ITEM</u>	<u>PART NO.</u>	<u>DESCRIPTION</u>	<u>QUANTITY</u>
15.	5063-2	Bearing Spacer Outer	1
16.	5093-3	Retaining Ring	1
17.	5092-1	Friction Disc	1
18.	5061-1	Collar Assembly	1
19.	9075-1	Set Screw, 1/4 - 20 x 1	3
20.	9030-1	Nut, 1/4 - 20	3
21.	9076-1	Set Screw, 5/16 - 18 x 5/8	2
22.	M50S-51618-78	Hex HD Screw, 5/16 - 18 x 7/8	1
23.	M50X-1420-12	Hex Bolt, 1/4 - 20 x 1/2	2
24.	F01X-14	Flat Washer, 1/4"	2
25.	M93C-632-78	Screw Pan Slot, #6	2
26.	E01X-6	External Tooth Lock Washer, #6	2
27.	4-M605	Limit Switch	1
28.	REF	Fiche Paper	1
29.	5056-1	Limit Switch Bracket	1
30.	9074-1	Hex Socket Set Screw, 3/8" - 16 x 1-1/2"	1
31.	9029-3	Hex Nut, 3/8" - 16	1
32.	1325-1	Swivel Base	1
33.	1-XR75	Retaining Ring	2
34.	2398-1	Tilt Shaft, Bridge	1
35.	5243-1	Double Pilot Check Valve	1
36.	9-3136	Cylinder	1
37.	9121-3	Mercury Switch	1
*	9121-2	Mercury Switch Bracket	1
38.	9358-1	Hydraulic Motor Secondary	1

PARTS LIST, ELECTRIC LEG-MOUNTED TILTING MIXER KETTLES,  
MODELS ELTM-40 TO ELTM-100, ELTM-40-2 TO 100-2

<u>ITEM</u>	<u>PART NO.</u>	<u>DESCRIPTION</u>	<u>QUANTITY</u>
	39. 9359-1	Hydraulic Motor Primary	1
**	40. 7191-1	Bridge Cover (40 Gallon)	1
	7191-2	Bridge Cover (60 Gallon)	1
	7191-3	Bridge Cover (80 Gallon)	1
	7191-4	Bridge Cover (100 Gallon)	1
	41. 4062-1	Pin c/w Clips	2
	42. 4-RL55	Relay	2
**	43. 9285-1	Connector, Male "O" Ring Boss, 3/8	2
	9285-2	Connector, Male "O" Ring Boss, 1/2	2
	44. M50S-3816-178	Hex Head Screw, 3/8 - 16 UNC x 1-7/8	2
	45. 9030-3	Hex Nut, 3/8 - 16 UNC	2
**	46. 9284-1	Elbow, 90° Male "O" Ring Boss, 3/8	2
	9284-2	Elbow 90° Male "O" Ring Boss, 1/2	2
	47. 9354-1	Hydraulic Cylinder Yoke	1
	48. 1-R350	External Retaining Ring	4

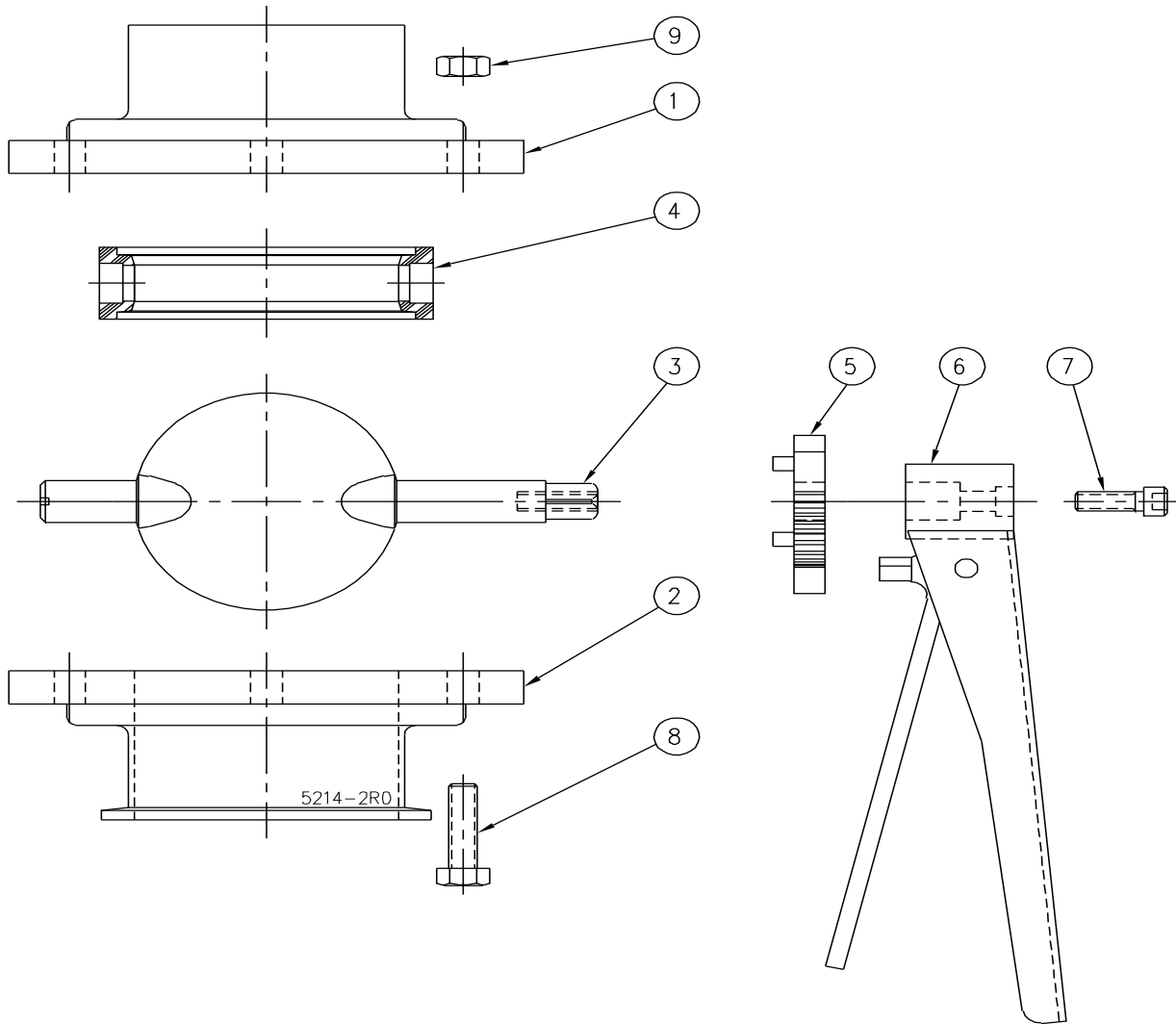
\* NOT SHOWN.

\*\* SELECT AS REQUIRED.

PARTS LIST, ELECTRIC LEG-MOUNTED TILTING MIXER KETTLES,  
MODELS ELTM-40 TO ELTM-100, ELTM-40-2 TO 100-2

**FIGURE 8**

**BUTTERFLY VALVE**



PARTS LIST, ELECTRIC LEG-MOUNTED TILTING MIXER KETTLES,  
MODELS ELTM-40 TO ELTM-100, ELTM-40-2 TO 100-2

**FIGURE 8**

**TWO INCH BUTTERFLY VALVE**

<b><u>ITEM</u></b>	<b><u>PART NO.</u></b>	<b><u>DESCRIPTION</u></b>	<b><u>QUANTITY</u></b>
1.	5215-3	Body Half	1
2.	5215-4	Body Half	1
3.	4045-3	Stem	1
4.	5210-1	Silicon Seat	1
5.	5209-3	Intermediate Step	1
6.	4046-2	Handle	1
7.	5217-1	Hex Bolt	1
8.	4048-1	Hex Bolt	4
9.	4049-1	Hex Nut	4

PARTS LIST, ELECTRIC LEG-MOUNTED TILTING MIXER KETTLES,  
MODELS ELTM-40 TO ELTM-100, ELTM-40-2 TO 100-2

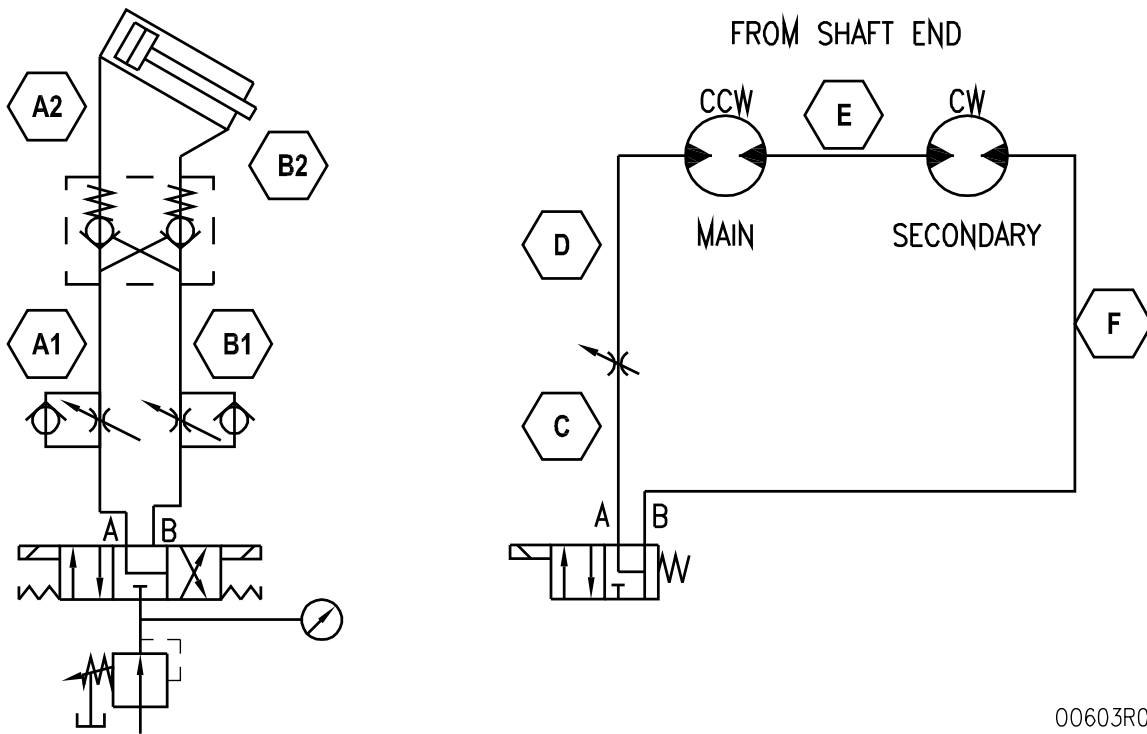
**THREE INCH BUTTERFLY VALVE**

<b><u>ITEM</u></b>	<b><u>PART NO.</u></b>	<b><u>DESCRIPTION</u></b>	<b><u>QUANTITY</u></b>
1.	5216-3	Body Half	1
2.	5216-4	Body Half	1
3.	4045-4	Stem	1
4.	5212-1	Silicon Seat	1
5.	5209-4	Intermediate Step	1
6.	4046-2	Handle	1
7.	5217-1	Hex Bolt	1
8.	4048-2	Hex Bolt	6
9.	4049-1	Hex Nut	6

PARTS LIST, ELECTRIC LEG-MOUNTED TILTING MIXER KETTLES,  
MODELS ELTM-40 TO ELTM-100, ELTM-40-2 TO 100-2

**FIGURE 9**

**HYDRAULIC HOSES**



00603R0

PARTS LIST, ELECTRIC LEG-MOUNTED TILTING MIXER KETTLES,  
 MODELS ELTM-40 TO ELTM-100, ELTM-40-2 TO 100-2

**FIGURE 9**

<u>ITEM</u>	<u>PART NO.</u>	<u>DESCRIPTION</u>	<u>QUANTITY</u>			
			<u>40</u>	<u>60</u>	<u>80</u>	<u>100</u>
A1	5363-1	Hose Assembly	1	1		
	5363-2	Hose Assembly			1	1
	5363-3	Hose Assembly				1
A2	5364-1	Hose Assembly	1	1	1	1
B1	5365-1	Hose Assembly	1	1		
	5365-2	Hose Assembly			1	
	5365-3	Hose Assembly				1
B2	5366-1	Hose Assembly	1	1	1	1
C	5367-1	Hose Assembly	1			
	5367-2	Hose Assembly		1		
	5367-3	Hose Assembly			1	
	5367-4	Hose Assembly				1
D	5368-1	Hose Assembly	1			
	5368-2	Hose Assembly		1		
	5368-3	Hose Assembly			1	
	5368-4	Hose Assembly				1
E	5369-1	Hose Assembly	1			
	5369-2	Hose Assembly		1	1	
	5369-3	Hose Assembly				1
F	5370-1	Hose Assembly	1			
	5370-2	Hose Assembly		1		
	5370-3	Hose Assembly			1	1
PC*	5371-1	Hose Assembly	1	1	1	1

\* PC = Pump Connection, Not Shown.