

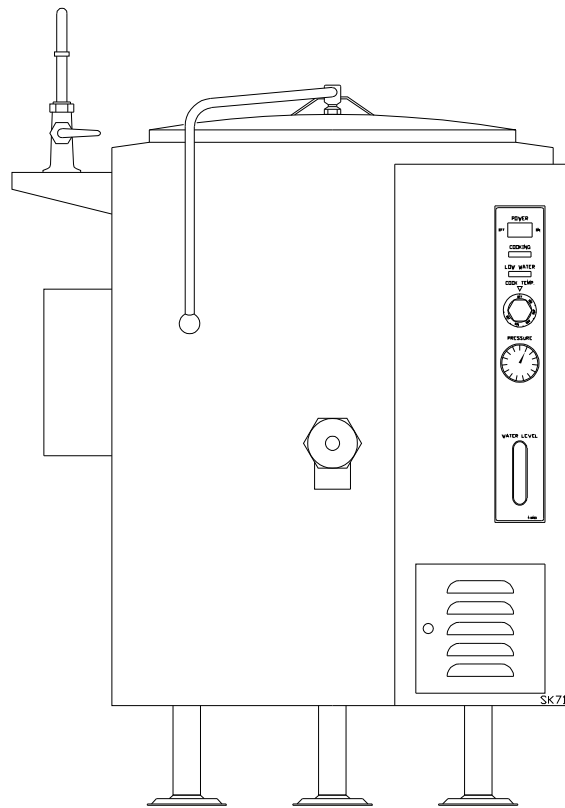


IMPORTANT FOR FUTURE REFERENCE
 Please complete this information and retain this manual for the life of the equipment:

Model #: _____
 Serial #: _____
 Date Purchased: _____

PARTS LIST

; Ug: JfYX" GhYUa >UW_YhYX' GhUjcbUfmi? Yh`Yg
 ; @&\$9""; @' \$9""; @(\$9""; @*\$9"



⚠ WARNING

Improper installation, adjustment, alteration, service or maintenance can cause property damage, injury or death. Read the installation, operating and maintenance instructions thoroughly before installing or servicing this equipment.

CROWN FOOD SERVICE EQUIPMENT

A Middleby Company

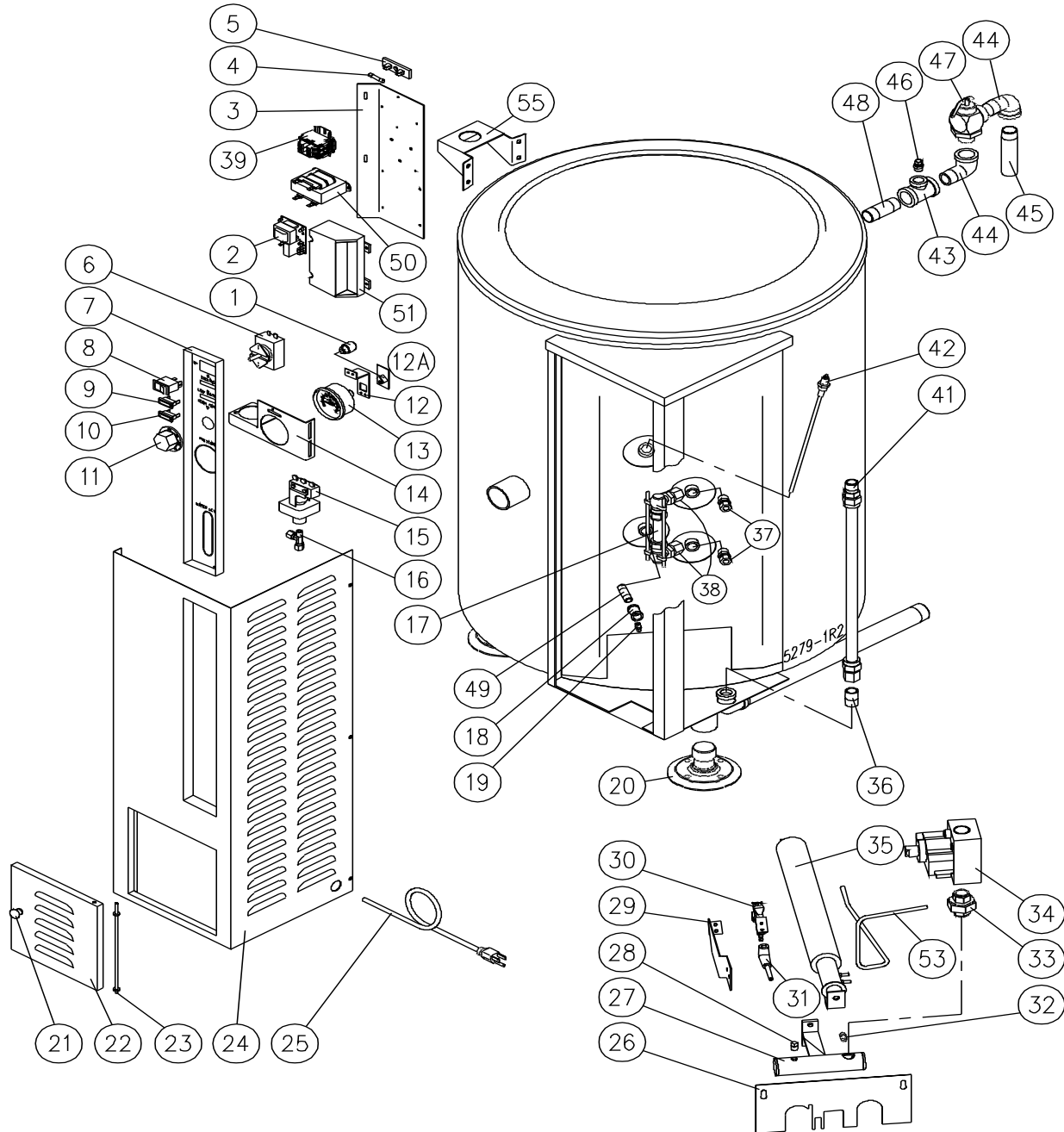
70 Oakdale Road, Downsview (Toronto) Ontario, Canada, M3N 1V9
 Telephone: 919-762-1000 www.crownsteamgroup.com

Printed in Canada



PARTS LIST, STATIONARY GAS SELF-CONTAINED STEAM KETTLES,
 MODELS GL-20E, GL-30E, GL-40E, GL-60E

FIGURE 1



PARTS LIST, STATIONARY GAS SELF-CONTAINED STEAM KETTLES,
 MODELS GL-20E, GL-30E, GL-40E, GL-60E

FIGURE 1

<u>ITEM</u>	<u>PART NO.</u>	<u>DESCRIPTION</u>	<u>QUANTITY</u>			
			<u>20</u>	<u>30</u>	<u>40</u>	<u>60</u>
1	3-704B	Elbow 90°, 1/4 C x 1/4 FPT	1	1	1	1
2	3974-1	Level Control	1	1	1	1
3	7110-1	Component Mounting Bracket	1	1	1	1
4	9092-3	Fuse, 3 Amp., 250V	1	1	1	1
5	9068-1	Fuse Holder	1	1	1	1
6	116-6562	Thermostat	1	1	1	1
7	7790-1	Recess Control Panel	1	1	1	1
* **	7002-1	Control Decal - English	1	1	1	1
* **	3081-1	Control Decal - French	1	1	1	1
8	9130-2	Power Switch	1	1	1	1
9	4996-7	Pilot Light - 28 Volt, Red, Cooking	1	1	1	1
10	4996-3	Pilot Light - 125 V, Amber - Low Water	1	1	1	1
11	4-TK05	Thermostat Dial	1	1	1	1
12	4647-1	Pressure Gauge Bracket	1	1	1	1
12A	5845-1	Pressure Gauge Clip	1	1	1	1
13	4967-1	Pressure Gauge	1	1	1	1
14	7629-1	Support Bracket	1	1	1	1
15	116-6490	Pressure Switch	1	1	1	1
16	3-714A	Tee, 1/4 C x 1/8 MPT	1	1	1	1
17	5285-1	Sight Glass Assembly	1	1	1	1
*	9108-2	Sight Glass	1	1	1	1
*	8-6018	Washer	2	2	2	2
*	8-6019	Brass Washer	2	2	2	2

PARTS LIST, STATIONARY GAS SELF-CONTAINED STEAM KETTLES,
MODELS GL-20E, GL-30E, GL-40E, GL-60E

<u>ITEM</u>	<u>PART NO.</u>	<u>DESCRIPTION</u>	<u>QUANTITY</u>				
			<u>20</u>	<u>30</u>	<u>40</u>	<u>60</u>	
*	8-6016	Rods	2	2	2	2	
18	PP-427	Tee, 3/8" - 3000 lb	1	1	1	1	
19	3-684C	Connector 1/4 C x 3/8 MPT	1	1	1	1	
20	8-1308	Adjustable Foot	3	3	3	3	
21	116-7793	Door Knob	1	1	1	1	
22	116-6534	Access Door Assembly	1				
	116-6535	Access Door Assembly		1	1		
	116-6536	Access Door Assembly				1	
23	116-6574	Door Hinge	1	1	1	1	
24	7810-1	Corner Front Panel	1				
	7811-1	Corner Front Panel		1			
	7812-1	Corner Front Panel			1		
	7813-1	Corner Front Panel				1	
25	4127-3	Cord Set, 120V	1	1	1	1	
26	6793-1	Front Shield	1				
	6795-1	Front Shield		1	1	1	
27	116-6527	Manifold Assembly	1	1	1	1	
*	M50X-1420-1	Hex HD Screw, 1/4 - 20 UNC x 1 Lg.	2	2	2	2	
28	9035-1	Pipe Plug, 1/8 NPT	1	1	1	1	
29	4239-1	Pilot Bracket	1	1	1		
	4285-1	Pilot Bracket				1	
**	30	9-3380	Ignitor/Sensor Pilot, Natural Gas	1	1	1	1
		9-3380-1	Ignitor/Sensor Pilot, LP	1	1	1	1
	31	5169-2	Ignitor Cable	1	1	1	1

PARTS LIST, STATIONARY GAS SELF-CONTAINED STEAM KETTLES,
MODELS GL-20E, GL-30E, GL-40E, GL-60E

<u>ITEM</u>	<u>PART NO.</u>	<u>DESCRIPTION</u>	<u>QUANTITY</u>				
			<u>20</u>	<u>30</u>	<u>40</u>	<u>60</u>	
**	32	3598-30	Burner Orifice # 30, Natural Gas	2	2	2	
		3598-45	Burner Orifice # 45, LP	2	2	2	
		3598-26	Burner Orifice # 26, Natural Gas				2
		3598-41	Burner Orifice # 41, LP				2
	33	9015-3	Union, 1/2 NPT	1	1	1	1
**	34	5450-1	Combination Gas Control, Natural Gas	1	1	1	1
		5450-2	Combination Gas Control, LP	1	1	1	1
**	35	3133-1	Burner	2			
		3134-1	Burner		2	2	
		3135-1	Burner				2
	36	9009-000	Close Nipple, 1/2 NPT	1	1	1	1
	37	3-686C	Connector, 3/8 C x 3/8 MPT	2	2	2	2
	38	3-666C	Connector, 3/8 C x 3/8 FPT	2	2	2	2
	39	9390-2	Terminal Block Assembly, 2-Pole	1	1	1	1
			Includes the following parts:				
		9391-1	Modular Terminal	2	2	2	2
		9392-1	End Plate	1	1	1	1
		9393-1	End Clamp	2	2	2	2
		9394-053	Mounting Rail, 53 mm	1	1	1	1
* **	40	3079-1	Flue Box	1			
		3079-2	Flue Box		1	1	
		3079-3	Flue Box				1
	41	9026-18	Gas Flex Hose	1	1	1	1
	42	3738-13	Probe, 9-3/4"	1			

PARTS LIST, STATIONARY GAS SELF-CONTAINED STEAM KETTLES,
MODELS GL-20E, GL-30E, GL-40E, GL-60E

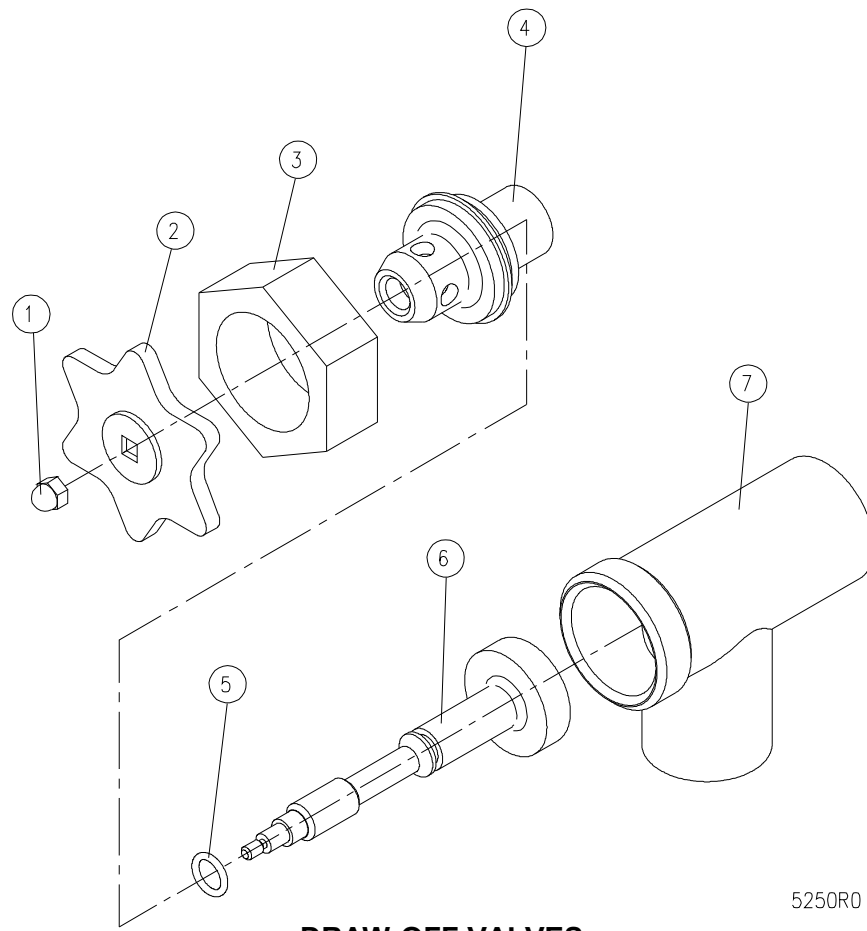
<u>ITEM</u>	<u>PART NO.</u>	<u>DESCRIPTION</u>	<u>QUANTITY</u>				
			<u>20</u>	<u>30</u>	<u>40</u>	<u>60</u>	
	3738-14	Probe, 9-1/4"		1	1	1	
43	9013-6	Tee, 3/4 x 3/4 x 3/8	1	1	1	1	
44	9012-4	St. Elbow, 3/4"	1	1	1	1	
45	5184-1	Down Tube	1	1	1	1	
46	3-AV00	Air Vent	1	1	1	1	
47	3-SRV9-1	Relief Valve	1	1	1	1	
48	9010-034	Black Nipple, 3/4 x 3-1/2" Lg.	1	1	1	1	
49	9091-020	Brass Nipple, 3/8 x 2 Lg.	1	1	1	1	
**	50	9-3383	Transformer, 120-24V, 60 Hz, 40 VA	1	1	1	1
		9123-1	Transformer, 115/230-24V, 50/60 Hz, 50 VA	1	1	1	1
	51	9226-2	Ignition Module Kit	1	1	1	1
*	52	4163-2	Lighting Instructions Decal (E)	1	1	1	1
		4163-1	Lighting Instructions Decal (F)	1	1	1	1
	53	6128-1	Pilot Tube	1	1	1	1
**	54	6953-1	Bottom Cover	1			
		6954-1	Bottom Cover		1	1	
		6955-1	Bottom Cover				1
	55	7551-1	Faucet Bracket	1	1	1	1

* NOT SHOWN.

** SELECT AS REQUIRED.

PARTS LIST, STATIONARY GAS SELF-CONTAINED STEAM KETTLES,
 MODELS GL-20E, GL-30E, GL-40E, GL-60E

FIGURE 2



5250R0

DRAW-OFF VALVES

<u>ITEM</u>	<u>PART NO.</u>	<u>DESCRIPTION</u>	<u>QUANTITY</u>
	3-D015	1-1/2" DRAW-OFF VALVE ASSEMBLY	
1	9031-3	Acorn Nut 10-24 UNC	1
2	4115-1	Handle, Stainless Steel	1
3	3-DV13	Gland Nut	1
4	3-DV14	Bonnet	1
5	3-DV16	"O" Ring	1
6	3-DV15RV	Stem Assembly	1
7	3-DV17	Valve Body	1

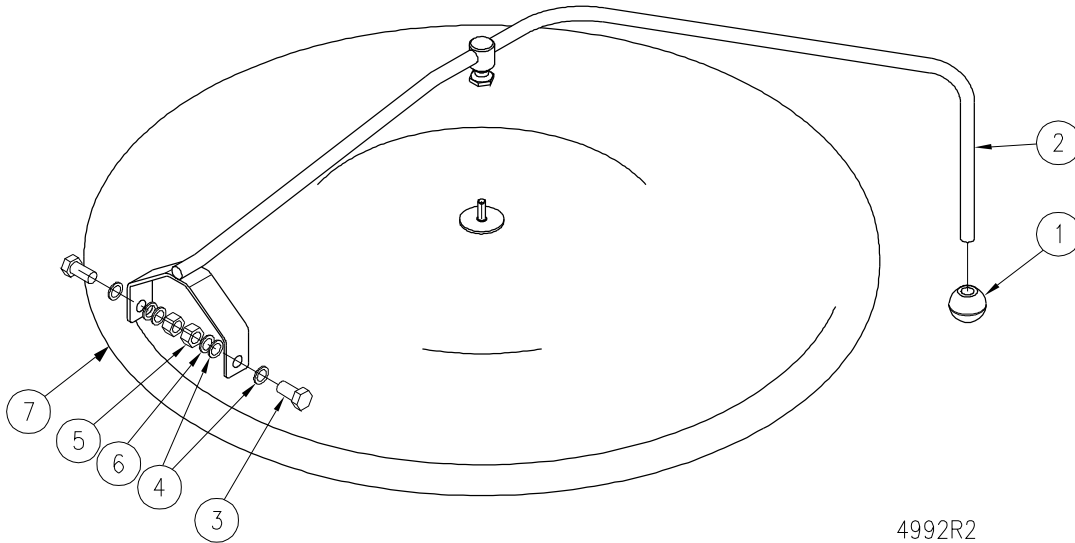
PARTS LIST, STATIONARY GAS SELF-CONTAINED STEAM KETTLES,
MODELS GL-20E, GL-30E, GL-40E, GL-60E

<u>ITEM</u>	<u>PART NO.</u>	<u>DESCRIPTION</u>	<u>QUANTITY</u>
	3-D020	2" DRAW-OFF VALVE ASSEMBLY	
1	9031-3	Acorn Nut 10-24 UNC	1
2	4115-1	Handle, Stainless Steel	1
3	3-DV23	Gland Nut	1
4	3-DV24	Bonnet	1
5	3-DV26	"O" Ring	1
6	3-DV25RV	Stem Assembly	1
7	3-DV27	Valve Body	1

<u>ITEM</u>	<u>PART NO.</u>	<u>DESCRIPTION</u>	<u>QUANTITY</u>
	3-D030	3" DRAW-OFF VALVE ASSEMBLY	
1	3-DV31	Acorn Nut, 7/16-14 UNC	1
2	3-DV32	Handle, Stainless Steel	1
3	3-DV33	Gland Nut	1
4	3-DV34	Bonnet	1
5	3-DV36	"O" Ring	1
6	3-DV35RV	Stem Assembly	1
7	3-DV37	Valve Body	1

PARTS LIST, STATIONARY GAS SELF-CONTAINED STEAM KETTLES,
 MODELS GL-20E, GL-30E, GL-40E, GL-60E

FIGURE 3



4992R2

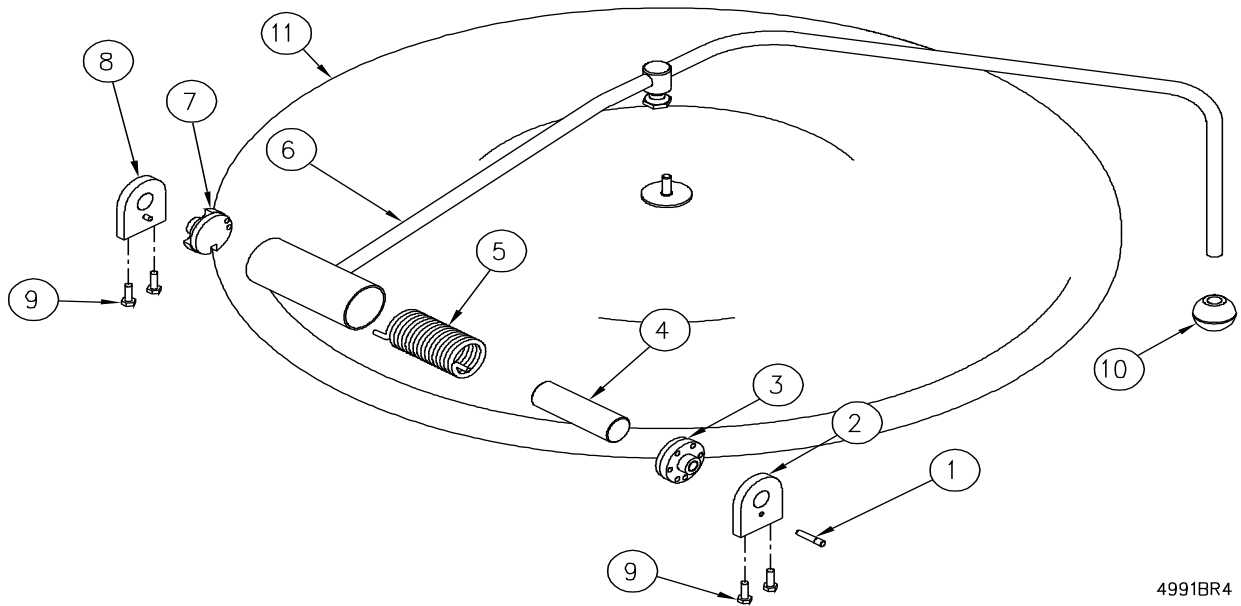
HINGED COVER ASSEMBLY

<u>ITEM</u>	<u>PART NO.</u>	<u>DESCRIPTION</u>	<u>QUANTITY</u>
1	2-KB01	Knob	1
** 2	9-3231-6	Handle Assembly, 20 Gallon Kettle	1
	9-3231-7	Handle Assembly, 30 or 40 Gallon Kettle	1
3	M50S-1220-1	Hex Bolt, 1/2 - 20 UNF x 1" S.S.	2
4	1-W0V6	Fibre Washer	4
5	1-89S0	Hex Nut, 1/2 - 20 UNF, S.S.	2
6	S05N-12	Split Lock Washer, 1/2", S.S.	2
** 7	116-6374	Cover, 20 Gallon Kettle	1
	8-2005	Cover, 30 or 40 Gallon Kettle	1

** SELECT AS REQUIRED.

PARTS LIST, STATIONARY GAS SELF-CONTAINED STEAM KETTLES,
MODELS GL-20E, GL-30E, GL-40E, GL-60E

FIGURE 4



4991BR4

PARTS LIST, STATIONARY GAS SELF-CONTAINED STEAM KETTLES,
 MODELS GL-20E, GL-30E, GL-40E, GL-60E

FIGURE 4

<u>ITEM</u>	<u>PART NO.</u>	<u>DESCRIPTION</u>	<u>QUANTITY</u>
	9-3185	HINGE ASSEMBLY	
1	8-2029	Lock Pin	1
2	8-2035L	End Lock Plate	1
3	5428-1	Stationary Disc	1
4	5430-1	Core	1
5	8-2026	Spring	1
** 6	8-2028-5	Handle Assembly, 20 Gallon Kettle	1
	8-2028-6	Handle Assembly, 30 Gallon Kettle	1
	8-2028-6	Handle Assembly, 40 Gallon Kettle	1
	8-2027-4	Handle Assembly, 60 Gallon Kettle	1
7	5429-1	Rotary Disc	1
8	8-2021	End Stop Plate	1
9	M50S-1420-34	Hex HD Screws, 1/4 - 20 x 3/4 Lg.	4
10	2-KB01	Knob	1
** 11	116-6374	Cover, 20 Gallon Kettle	1
	8-2005	Cover, 30 or 40 Gallon Kettle	1
	8-2006	Cover, 60 Gallon Kettle	1

** SELECT AS REQUIRED