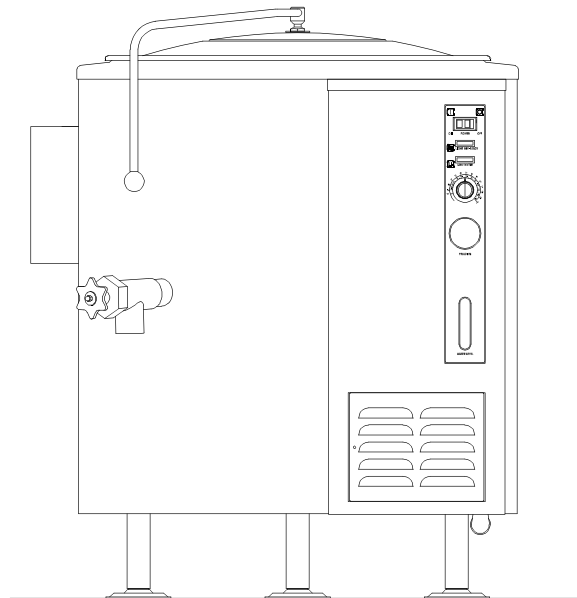




IMPORTANT FOR FUTURE REFERENCE
 Please complete this information and retain this manual for the life of the equipment:

Model #: _____
 Serial #: _____
 Date Purchased: _____

PARTS LIST



⚠ WARNING

Improper installation, adjustment, alteration, service or maintenance can cause property damage, injury or death. Read the installation, operating and maintenance instructions thoroughly before installing or servicing this equipment.

CROWN FOOD SERVICE EQUIPMENT

A Middleby Company

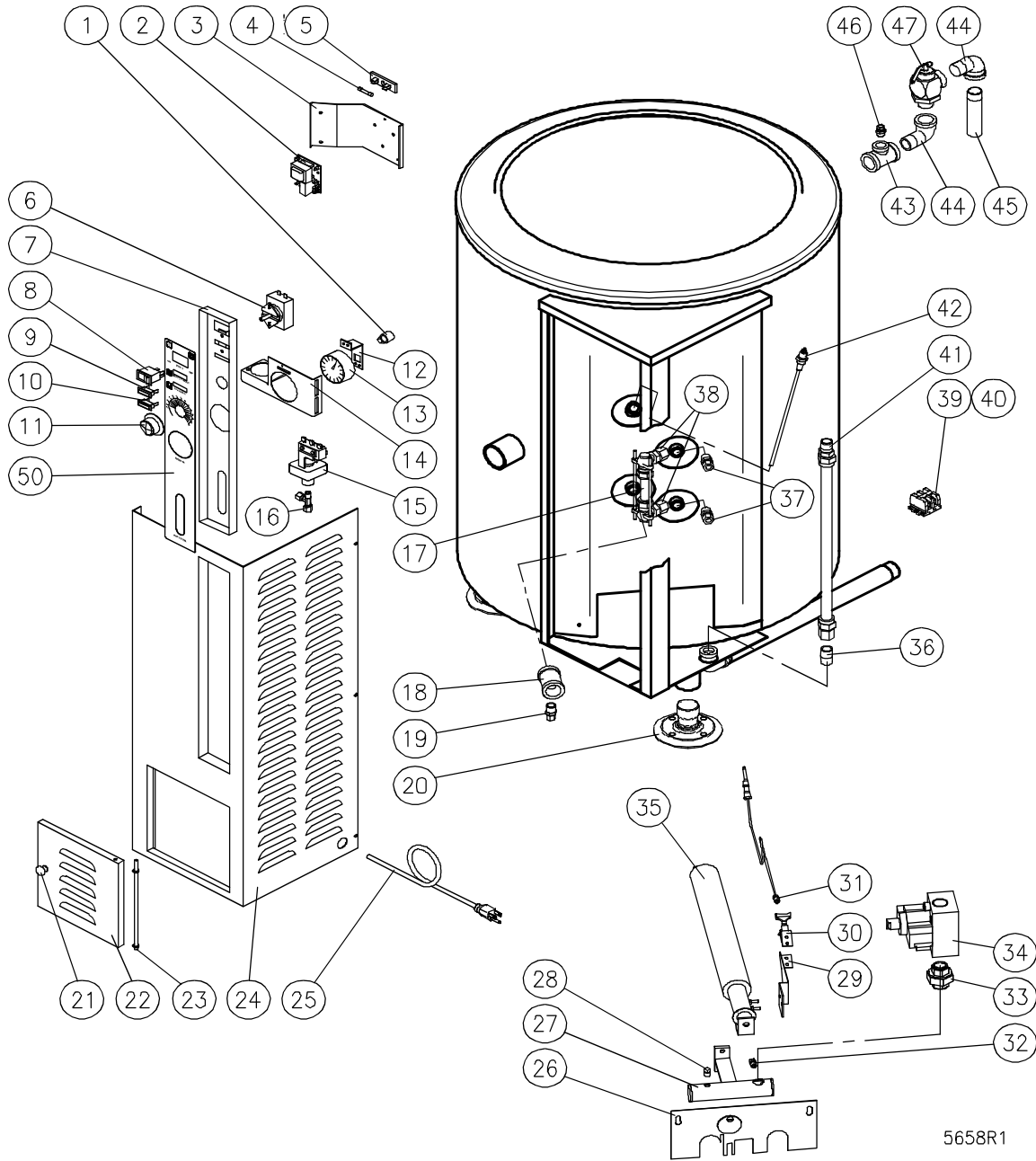
70 Oakdale Road, Downsview (Toronto) Ontario, Canada, M3N 1V9
 Telephone: 919-762-1000 www.crownsteamgroup.com

Printed in Canada



PARTS LIST, STATIONARY GAS SELF-CONTAINED STEAM KETTLE, KLS-30G

FIGURE 1



PARTS LIST, STATIONARY GAS SELF-CONTAINED STEAM KETTLE, KLS-30G

FIGURE 1

<u>ITEM</u>	<u>PART NO.</u>	<u>DESCRIPTION</u>	<u>QUANTITY</u>
1.	3-704B	Elbow 1/4 C x 1/4 FPT	1
2.	3974-1	Level Control	1
3.	4524-1	Level Control Bracket	1
4.	9092-3	Fuse, 3 Amp., 250V	1
5.	9068-1	Fuse Holder	1
6.	116-6562	Thermostat	1
7.	7790-1	Recess Control Panel	1
8.	9130-2	Power Switch	1
9.	4996-2	Pilot Light - Red Cooking	1
10.	4996-3	Pilot Light - Amber - Low Water	1
11.	9148-1	Thermostat Dial	1
12.	4647-1	Pressure Gauge Bracket	1
13.	4967-1	Pressure Gauge	1
14.	7629-1	Support Bracket	1
15.	116-6490	Pressure Switch	1
16.	3-714A	Tee 1/4 C x 1/8 MPT	1
17.	5285-1	Sight Glass Assembly	1
	9108-2	Sight Glass	1
	8-6018	Washer	2
	8-6019	Brass Washer	2
	8-6016	Rod	2
18.	PP-427	Tee, 3/8" - 3000 lb.	1
19.	3-684C	Connector 1/4 C x 3/8 MPT	1
20.	8-1308	Adjustable Foot	3

PARTS LIST, STATIONARY GAS SELF-CONTAINED STEAM KETTLE, KLS-30G

<u>ITEM</u>	<u>PART NO.</u>	<u>DESCRIPTION</u>	<u>QUANTITY</u>	
21.	116-7793	Door Knob	1	
22.	116-6535	Access Door Assembly	1	
23.	116-6574	Door Hinge	1	
24.	7811-1	Corner Front Panel	1	
25.	4127-3	Cord Set, 120V	1	
26.	7480-1	Front Shield	1	
27.	116-6527	Manifold Assembly	1	
28.	9035-1	Pipe Plug, 1/8 NPT	1	
29.	4791-1	Pilot Bracket	1	
**	30.	4795-1	Pilot Natural, .026	1
		4795-2	Pilot LP, .014	1
31.	6-36TB	Thermocouple	1	
**	32.	3598-30	Burner Orifice # 30, Natural Gas	2
		3598-45	Burner Orifice # 45, LP	2
33.	9015-3	Union, 1/2 NPT	1	
**	34.	116-4804	Combination Gas Control, Natural Gas	1
		116-5086	Combination Gas Control, LP	1
35.	3134-1	Burner	2	
36.	9009-000	Close Nipple, 1/2	1	
37.	3-686C	Connector, 3/8 C x 3/8 MPT	2	
38.	3-666C	Connector, 3/8 C x 3/8 FPT	2	
39.	4-22TB	Terminal Block	2	
40.	4-22ES	End Section	1	
41.	9026-18	Gas Flex Hose, 1/2 x 18" LG	1	
42.	3738-14	Probe, 9 3/4"		
43.	9013-6	Tee, 3/4 x 3/4 x 3/8	1	

PARTS LIST, STATIONARY GAS SELF-CONTAINED STEAM KETTLE, KLS-30G

<u>ITEM</u>	<u>PART NO.</u>	<u>DESCRIPTION</u>	<u>QUANTITY</u>
44.	9012-4	St. Elbow, 3/4"	1
45.	5184-1	Down Tube	1
46.	3-AV01	Air Vent	1
47.	3-SRV9-1	Relief Valve	1
*	48. 3079-2	Flue Box	1
*	49. 7551-1	Faucet Bracket	1
	50. 7302-1	Control Decal	1
*	51. 116-1390	Lighting Instructions	1

* NOT SHOWN

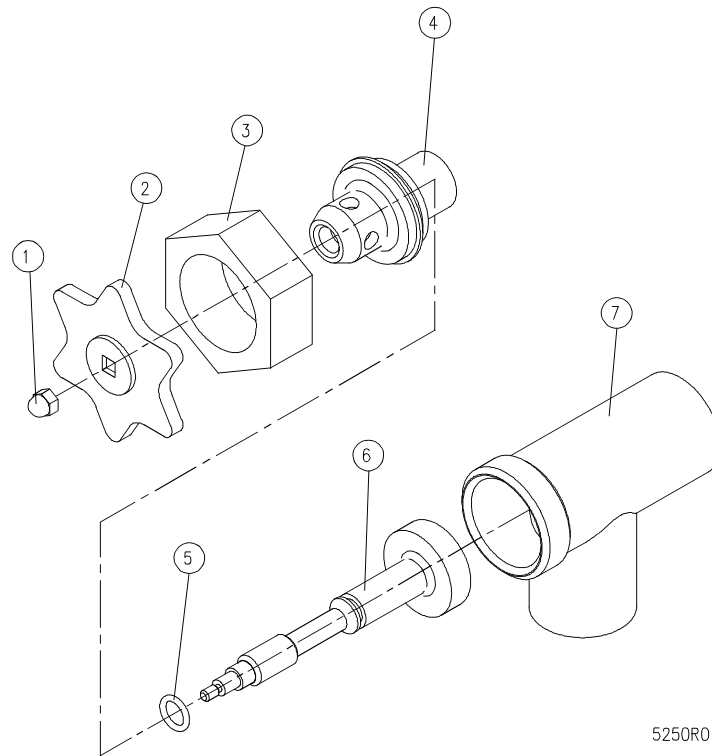
** SELECT AS REQUIRED

1G-00010 Wiring Diagram, 120V

1G-00011 Wiring Diagram, 208-240V

PARTS LIST, STATIONARY GAS SELF-CONTAINED STEAM KETTLE, KLS-30G

FIGURE 2



DRAW-OFF VALVES

<u>ITEM</u>	<u>PART NO.</u>	<u>DESCRIPTION</u>	<u>QUANTITY</u>
	3-D015	1-1/2" DRAW-OFF VALVE ASSEMBLY	
1.	9031-3	Acorn Nut 10-24 UNC	1
2.	4115-1	Handle, Stainless Steel	1
3.	3-DV13	Gland Nut	1
4.	3-DV14	Bonnet	1
5.	3-DV16	"O" Ring	1
6.	3-DV15RV	Stem Assembly	1
7.	3-DV17	Valve Body	1

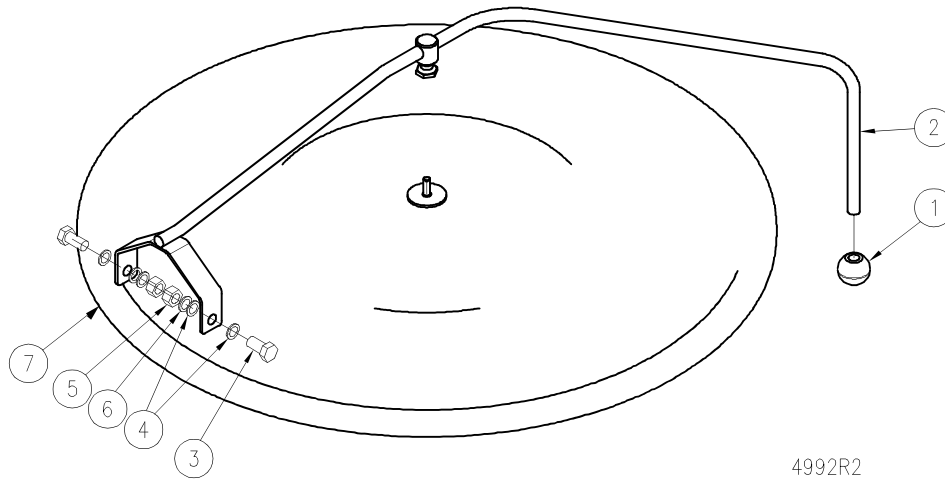
PARTS LIST, STATIONARY GAS SELF-CONTAINED STEAM KETTLE, KLS-30G

<u>ITEM</u>	<u>PART NO.</u>	<u>DESCRIPTION</u>	<u>QUANTITY</u>
	2-D020	2" DRAW-OFF VALVE ASSEMBLY	
1.	9031-3	Acorn Nut 10-24 UNC	1
2.	4115-1	Handle, Stainless Steel	1
3.	3-DV23	Gland Nut	1
4.	3-DV24	Bonnet	1
5.	3-DV26	"O" Ring	1
6.	3-DV25RV	Stem Assembly	1
7.	3-DV27	Valve Body	1

<u>ITEM</u>	<u>PART NO.</u>	<u>DESCRIPTION</u>	<u>QUANTITY</u>
	3-D030	3" DRAW-OFF VALVE ASSEMBLY	
1.	3-DV31	Acorn Nut, 7/16-14 UNC	1
2.	3-DV32	Handle, Stainless Steel	1
3.	3-DV33	Gland Nut	1
4.	3-DV34	Bonnet	1
5.	3-DV36	"O" Ring	1
6.	3-DV35RV	Stem Assembly	1
7.	3-DV37	Valve Body	1

PARTS LIST, STATIONARY GAS SELF-CONTAINED STEAM KETTLE, KLS-30G

FIGURE 3



HINGE ASSEMBLY

<u>ITEM</u>	<u>PART NO.</u>	<u>DESCRIPTION</u>	<u>QUANTITY</u>
1.	9147-1	Knob	1
2.	9-3231-7	Handle Assembly	1
3.	1-85S8	Bolt	2
4.	1-W0V6	Fibre Washer	4
5.	1-89S0	Nut	2
6.	S01S-12	Lock Washer, 1/2"	2
7.	8-2005	Cover	1

PARTS LIST, STATIONARY GAS SELF-CONTAINED STEAM KETTLE, KLS-30G

FIGURE 4

<u>ITEM</u>	<u>PART NO.</u>	<u>DESCRIPTION</u>	<u>QUANTITY</u>
	9-3185	HINGE ASSEMBLY	
1.	8-2029	Lock Pin	1
2.	8-2035L	End Lock Plate	1
3.	5428-1	Stationary Disc	1
4.	5430-1	Core	1
5.	8-2026	Spring	1
6.	8-2028-6	Handle Assembly	1
7.	5429-1	Rotary Disc	1
8.	8-2021	End Stop Plate	1
9	4816-1	Mounting Plate	1
10.	1-66S6	Cap Screws	4
11.	9147-1	Knob	1
12.	8-2005	Cover	1