



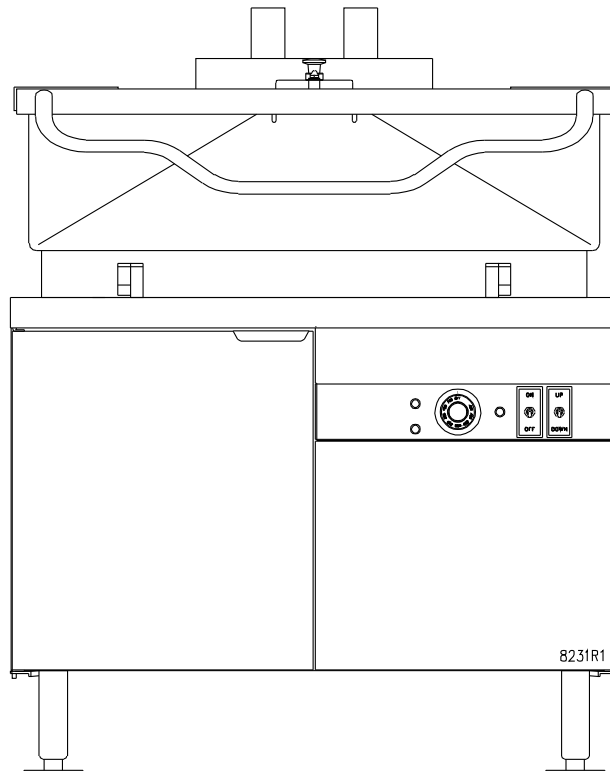
IMPORTANT FOR FUTURE REFERENCE
 Please complete this information and retain this manual for the life of the equipment:

Model #: _____
 Serial #: _____
 Date Purchased: _____

PARTS LIST

Gas Modular Skillets


GMTS-30 GMTS-40 GMTS-60



 **WARNING**

Improper installation, adjustment, alteration, service or maintenance can cause property damage, injury or death. Read the installation, operating and maintenance instructions thoroughly before installing or servicing this equipment.

CROWN FOOD SERVICE EQUIPMENT

 A Middleby Company

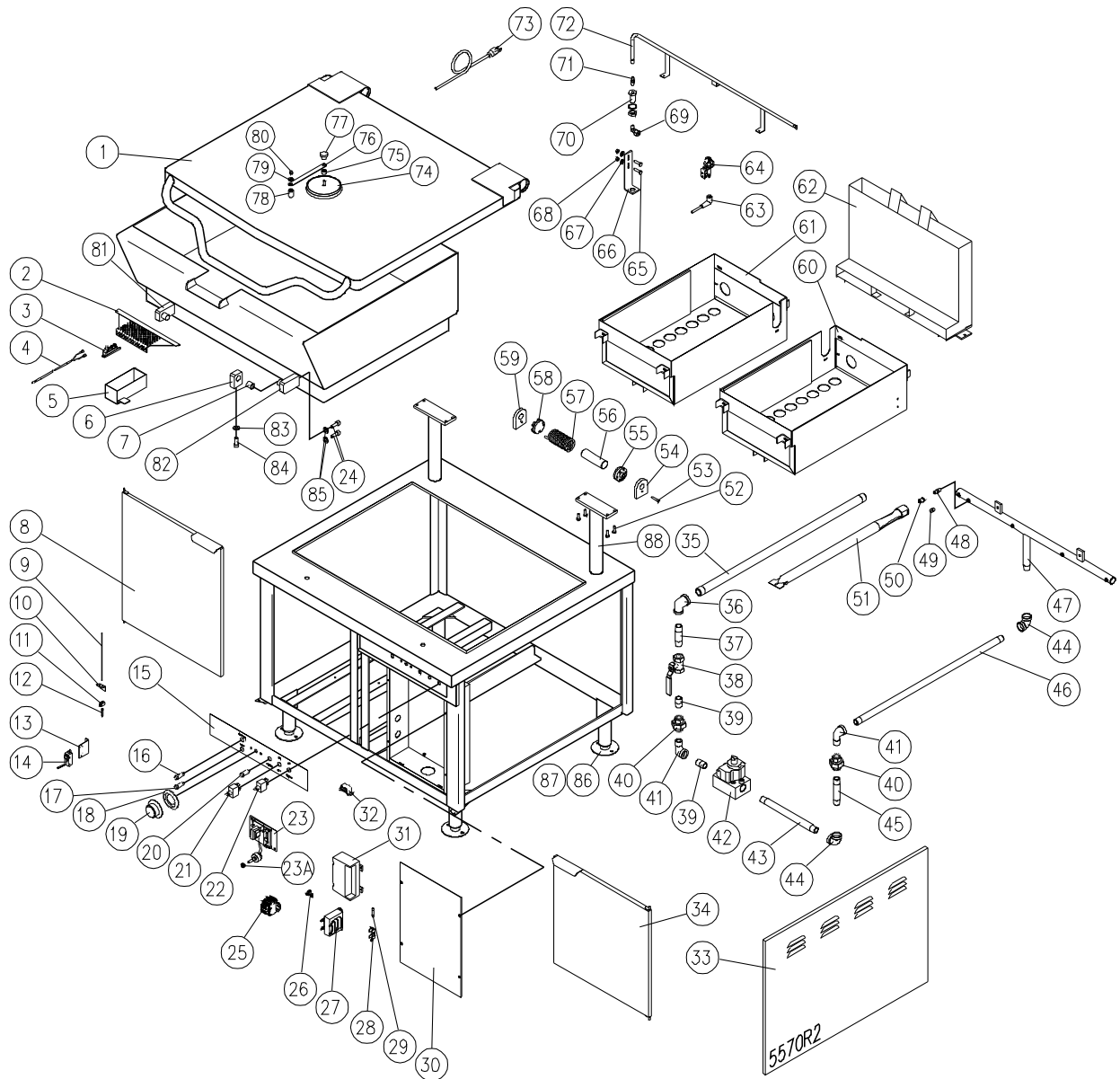
70 Oakdale Road, Downsview (Toronto) Ontario, Canada, M3N 1V9
 Telephone: 919-762-1000 www.crownsteamgroup.com

Printed in Canada



PARTS LIST, GAS TILTING SKILLET, MODELS GMTS-30, GMTS-40, GMTS-60

FIGURE 1



PARTS LIST, GAS TILTING SKILLET, MODELS GMTS-30, GMTS-40, GMTS-60

| <u>ITEM</u> | <u>PART NO.</u> | <u>DESCRIPTION</u> | <u>QUANTITY</u> | | |
|-------------|-----------------|--|---------------------|---------------------|---------------------|
| | | | <u>GMTS- 30</u> | <u>GMTS- 40</u> | <u>GMTS- 60</u> |
| ** 1. | 8113-4 | Cover Assembly | 1 | | |
| | 8114-4 | Cover Assembly | | 1 | |
| | 8115-4 | Cover Assembly | | | 1 |
| 2. | 7380-1 | Pour Lip Strainer | 1 | 1 | 1 |
| 3. | 9-3021 | High Limit Thermostat | 1 | 1 | 1 |
| 4. | 9288-60 | Thermocouple | 1 | 1 | 1 |
| 5. | 2426-1 | High Limit Box | 1 | 1 | 1 |
| 6. | 5877-1 | Base Bracket Assembly | 2 | 2 | 2 |
| 7. | 3704-1 | Bushing | 2 | 2 | 2 |
| ** 8. | 3209-1 | Left Hand Door Assembly | 1 | | |
| | 3596-1 | Left Hand Door Assembly | | 1 | 1 |
| 9. | 9-3443-1 | Actuator Rod, 1/8 x 18" | 1 | 1 | 1 |
| 10. | 9-3444 | Actuator Rod Guide | 1 | 1 | 1 |
| 11. | 9-3445 | Lock Collar | 2 | 2 | 2 |
| 12. | 9-3446 | Spring | 1 | 1 | 1 |
| 13. | 3838-1 | Micro Switch Bracket | 1 | 1 | 1 |
| 14. | 4065-2 | Micro Switch | 1 | 1 | 1 |
| ** 15. | 9-3393 | Decal | 1 | | |
| | 9-3394 | Decal | | 1 | 1 |
| 16. | 5396-7 | Pilot Light, Ignition - Green, 28V | 1 | 1 | 1 |
| 17. | 5396-8 | Pilot Light, Temperature - Red, 28V | 1 | 1 | 1 |
| 18. | 4-TB05 | Bezel | 1 | 1 | 1 |
| ** 19. | 4352-1 | Dial (F) | 1 | 1 | 1 |

PARTS LIST, GAS TILTING SKILLET, MODELS GMTS-30, GMTS-40, GMTS-60

| ITEM | PART NO. | DESCRIPTION | QUANTITY | | |
|--------|-------------|---|----------------|----------------|----------------|
| | | | <u>GMTS-30</u> | <u>GMTS-40</u> | <u>GMTS-60</u> |
| | 4689-1 | Dial (C) | 1 | 1 | 1 |
| ** 20. | 4-PL06 | Pilot Light, Motor - Amber, 125V | 1 | 1 | 1 |
| | 4-PL06-1 | Pilot Light, Motor - Amber, 250V | 1 | 1 | 1 |
| 21. | 9110-1 | Power Switch | 1 | 1 | 1 |
| 22. | 9111-1 | Up/Down Switch | 1 | 1 | 1 |
| ** 23. | 5555-1 | Temperature Control c/w Potentiometer, 120V | 1 | 1 | 1 |
| | 5555-2 | Temperature Control c/w Potentiometer, 240V | 1 | 1 | 1 |
| * | 9109-2 | Rotary Shaft Seal | 1 | 1 | 1 |
| 24. | M68P-3816-1 | Socket Hd Screw, 3/8-16 x 1 Lg. | 4 | 4 | 4 |
| 25. | 9390-2 | Terminal Block Assy | 1 | 1 | 1 |
| | | Includes the following parts: | | | |
| | 9391-1 | Modular Terminal | 2 | 2 | 2 |
| | 9392-1 | End Plate | 1 | 1 | 1 |
| | 9393-1 | End Clamp | 2 | 2 | 2 |
| | 9394-053 | Mounting Rail | 1 | 1 | 1 |
| 26. | 4-35EU | Ground Lug | 1 | 1 | 1 |
| ** 27. | 9-3383 | Transformer, 120-24V | 1 | 1 | 1 |
| | 9123-1 | Transformer, 230-24V | 1 | 1 | 1 |
| 28. | 9068-1 | Fuse Holder | 1 | 1 | 1 |
| 29. | 9092-1 | Fuse, 1 Amp., 250V | 1 | 1 | 1 |
| ** 30. | 3684-1 | Box Cover | 1 | | |
| | 3684-2 | Box Cover | | 1 | 1 |

PARTS LIST, GAS TILTING SKILLET, MODELS GMTS-30, GMTS-40, GMTS-60

| ITEM | PART NO. | DESCRIPTION | QUANTITY | | | |
|------|----------|----------------------------|-------------------------------------|----------------|----------------|---|
| | | | <u>GMTS-30</u> | <u>GMTS-40</u> | <u>GMTS-60</u> | |
| 31. | 9210-2 | Ignition Module | 1 | 1 | 1 | |
| 32. | 5-MC02 | Magnetic Catch | 1 | 1 | 1 | |
| 33. | 3201-1 | Side Panel | 2 | 2 | 2 | |
| ** | 34. | 2573-1 | Right Hand Door Assembly | 1 | 1 | 1 |
| | | 2573-2 | Right Hand Door Assembly | | 1 | 1 |
| 35. | 9010-300 | Pipe, 3/4 x 30" | 1 | 1 | 1 | |
| 36. | 9014-1 | Reducing Elbow, 3/4 x 1/2" | 1 | 1 | 1 | |
| 37. | 9009-030 | Nipple, 1/2 x 3" | 1 | 1 | 1 | |
| 38. | 4918-1 | Ball Valve, 1/2" | 1 | 1 | 1 | |
| 39. | 9009-000 | Close Nipple, 1/2" | 2 | 2 | 2 | |
| 40. | 9015-3 | Union, 1/2" | 1 | 1 | 1 | |
| 41. | 9012-3 | Street Elbow, 1/2" | 1 | 1 | 1 | |
| ** | 42. | 5450-1 | Combination Gas Control, Natural | 1 | 1 | 1 |
| | | 5450-2 | Combination Gas Control, L.P. | 1 | 1 | 1 |
| ** | 43. | 9009-073 | Nipple, 1/2 x 7-3/8" | 1 | | |
| | | 9009-064 | Nipple, 1/2 x 6-1/2" | | 1 | 1 |
| 44. | 9011-3 | Elbow, 1/2" | 1 | 1 | 1 | |
| 45. | 9009-050 | Nipple, 1/2 x 5" | 1 | 1 | 1 | |
| 46. | 9009-264 | Pipe, 1/2 x 26-1/2" | 1 | 1 | 1 | |
| ** | 47. | 2432-1 | Manifold Assembly | 1 | | |
| | | 1189-1 | Manifold Assembly | | 1 | 1 |
| 48. | 3-122A | Orifice Nipple | 4 | 6 | 6 | |
| 49. | 9035-1 | Pipe Plug, 1/8" NPT | 1 | 1 | 1 | |
| ** | 50. | 9-3351-44 | Burner Orifice #44, Natural | 4 | | |

PARTS LIST, GAS TILTING SKILLET, MODELS GMTS-30, GMTS-40, GMTS-60

| <u>ITEM</u> | <u>PART NO.</u> | <u>DESCRIPTION</u> | <u>QUANTITY</u> | | | |
|-------------|-----------------|-----------------------------|-------------------------------|----------------|----------------|---|
| | | | <u>GMTS-30</u> | <u>GMTS-40</u> | <u>GMTS-60</u> | |
| | 9-3351-47 | Burner Orifice #47, Natural | | 6 | 6 | |
| | 9-3351-55 | Burner Orifice #55, L.P. | 4 | | | |
| | 9-3351-56 | Burner Orifice #56, L.P. | | 6 | 6 | |
| 51. | 7227-1 | Burner | 4 | 6 | 6 | |
| 52. | M50S-1420-34 | Screw, 1/4 - 20 x 3/4 | 8 | 8 | 8 | |
| 53. | 8-2029 | Lock Pin | 2 | 2 | 2 | |
| 54. | 8-2035L | End Lock Plate | 2 | 2 | 2 | |
| 55. | 5428-1 | Stationary Disc | 2 | 2 | 2 | |
| 56. | 5430-1 | Core | 2 | 2 | 2 | |
| 57. | 8-2026 | Spring | 2 | 2 | 2 | |
| 58. | 5429-1 | Rotary Disc | 2 | 2 | 2 | |
| 59. | 8-2021 | End Stop Plate | 2 | 2 | 2 | |
| ** | 60. | 7260-1 | Burner Box Assembly, R.H. | 1 | | |
| | | 7262-1 | Burner Box Assembly, R.H. | | 1 | 1 |
| ** | 61. | 7259-1 | Burner Box Assembly, L.H. | 1 | | |
| | | 7261-1 | Burner Box Assembly, L.H. | | 1 | 1 |
| ** | 62. | 6891-1 | Flue Assembly | 1 | | |
| | | 6888-1 | Flue Assembly | | 1 | 1 |
| | 63. | 5169-2 | Igniter Cable | 1 | 1 | 1 |
| ** | 64. | 9-3380 | Ignitor/Sensor Pilot, Natural | 1 | 1 | 1 |
| | | 9-3380-1 | Ignitor/Sensor Pilot, L.P. | 1 | 1 | 1 |
| | 65. | M50C-1420-12 | Screw, 1/4 - 20 x 1/2" | 2 | 2 | 2 |
| | 66. | 3991-1 | Lighter Orifice Bracket | 1 | 1 | 1 |
| | 67. | S01C-14 | Lock Washer, 1/4" | 2 | 2 | 2 |
| | 68. | 9029-1 | Hex Nut, 1/4 - 20 | 2 | 2 | 2 |

PARTS LIST, GAS TILTING SKILLET, MODELS GMTS-30, GMTS-40, GMTS-60

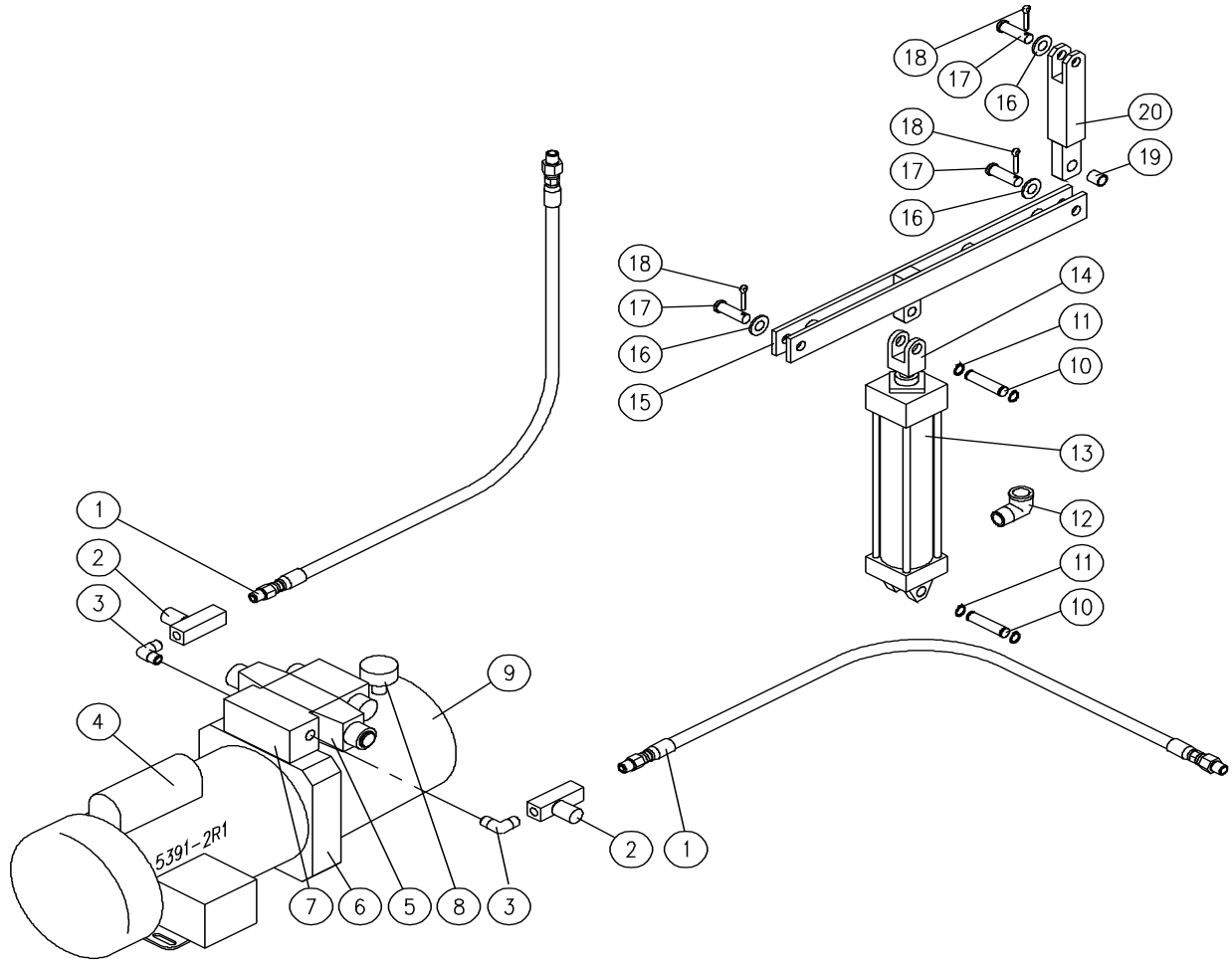
| ITEM | PART NO. | DESCRIPTION | QUANTITY | | |
|--------|-------------|--|----------------|----------------|----------------|
| | | | <u>GMTS-30</u> | <u>GMTS-40</u> | <u>GMTS-60</u> |
| 69. | 3-696A | Elbow, 3/8 C x 1/8 MPT | 1 | 1 | 1 |
| 70. | 3-1495BA | Terminal Bolt, Brass, 1/8 FPT x 1/8 FPT x 1-1/2 Lg. | 1 | 1 | 1 |
| ** 71. | 9-3335-56 | Lighter Orifice, #56, Natural | 1 | 1 | 1 |
| | 9-3335-65 | Lighter Orifice, #65, L.P. | 1 | | |
| | 9-3335-72 | Lighter Orifice, #72, L.P. | | 1 | 1 |
| ** 72. | 6350-1 | Lighter Tube Assembly | 1 | | |
| | 6351-1 | Lighter Tube Assembly | | 1 | 1 |
| 73. | 4127-3 | Cord Set, 120V | 1 | 1 | 1 |
| 74. | 4139-1 | Vent Cover | 1 | 1 | 1 |
| 75. | 5837-1 | Swivel Spacer | 1 | 1 | 1 |
| 76. | 5817-1 | Arm | 1 | 1 | 1 |
| 77. | 9248-1 | Knob | 1 | 1 | 1 |
| 78. | 5836-1 | Swivel Base | 1 | 1 | 1 |
| 79. | F01S-14 | Washer, 1/4 SS | 1 | 1 | 1 |
| 80. | 9031-5 | Acorn Nut, 1/4-20 UNC | 1 | 1 | 1 |
| 81. | 5878-2 | Pan Bracket Assy. Left Hand | 1 | 1 | 1 |
| 82. | 5878-1 | Pan Bracket Assy. Right Hand | 1 | 1 | 1 |
| 83. | S01X-12 | Split Lock Washer, 1/2 | 2 | 2 | 2 |
| 84. | M68P-1213-1 | Hex Socket HD Screw, 1/2-13 NC x 1 | 2 | 2 | 2 |
| 85. | S01X-38 | Split Lock Washer | 4 | 4 | 4 |
| 86. | 5379-1 | Adjustable Flanged Leg | 4 | 4 | 4 |
| 87. | 9029-5 | Hex Nut, 1/2-13 UNC | 4 | 4 | 4 |
| ** 88. | 5651-1 | Hinge Support Assy. | 2 | 2 | |
| | 5651-2 | Hinge Support Assy. | | | 2 |

* NOT SHOWN.

** SELECT AS REQUIRED.

PARTS LIST, GAS TILTING SKILLET, MODELS GMTS-30, GMTS-40, GMTS-60

FIGURE 2



PARTS LIST, GAS TILTING SKILLET, MODELS GMTS-30, GMTS-40, GMTS-60

FIGURE 2

| <u>ITEM</u> | <u>PART NO.</u> | <u>DESCRIPTION</u> | <u>QUANTITY</u> | | |
|-------------|-----------------|---|-----------------|----------------|----------------|
| | | | <u>GMTS-30</u> | <u>GMTS-40</u> | <u>GMTS-60</u> |
| 1. | 4511-1 | Hose Assembly | 2 | 2 | 2 |
| * 1A | 9420-1 | Straight Fitting MORB-FB | 2 | 2 | 2 |
| 2. | 9418-1 | Flow Control Valve | 2 | 2 | 2 |
| 3. | 9419-1 | Elbow, 90° MJ-MORB | 2 | 2 | 2 |
| * 3A | 9421-1 | Straight Fitting MORB-FJS | 2 | 2 | 2 |
| 4. | 9414-1 | Motor, 120/220/240V | 1 | 1 | 1 |
| * | 4515-1 | Fan Blade | 1 | 1 | 1 |
| ** 5. | 9119-1 | Directional Valve, 110/120 VAC, 50/60 Hz | 1 | 1 | 1 |
| | 9119-2 | Directional Valve, 220/240 VAC, 50/60 Hz | 1 | 1 | 1 |
| * ** | 9118-1 | Coil, 120V | 2 | 2 | 2 |
| * | 9118-2 | Coil, 220/240V | 2 | 2 | 2 |
| 6. | 9-3032 | Pump c/w Integral Relief Valve | 1 | 1 | 1 |
| 7. | 9417-1 | Manifold | 1 | 1 | 1 |
| 8. | 9416-1 | Breather Cap | 1 | 1 | 1 |
| 9. | 9415-1 | Tank | 1 | 1 | 1 |
| 10. | 4062-1 | Yoke Pin | 2 | 2 | 2 |
| 11. | 1-R350 | External Retaining Ring | 4 | 4 | 4 |
| 12. | 4109-1 | Street Elbow | 1 | 1 | 1 |
| 13. | 4112-1 | Hydraulic Cylinder | 1 | 1 | 1 |
| * | 9-3318 | Cylinder Kit | 1 | 1 | 1 |
| 14. | 9-3035 | Rod Clevis | 1 | 1 | 1 |
| 15. | 7849-1 | Main Lift Arm | 1 | 1 | 1 |

PARTS LIST, GAS TILTING SKILLET, MODELS GMTS-30, GMTS-40, GMTS-60

| <u>ITEM</u> | <u>PART NO.</u> | <u>DESCRIPTION</u> | <u>QUANTITY</u> | | |
|-------------|-----------------|---|-----------------|---|---|
| 16. | F01X-12 | Flat Washer Series "R" \varnothing 1/2 | 3 | 3 | 3 |
| 17. | 9-3039 | Clevis Pin | 3 | 3 | 3 |
| 18. | 5329-4 | Cotter Pin \varnothing 1/8 x 1 Lg. | 3 | 3 | 3 |
| 19. | 9263-0810 | Self Lubricating Bushing | 1 | 1 | 1 |
| 20. | 2567-1 | Link Arm | 1 | 1 | 1 |
| * 21. | | Flame Retardant, Hydraulic Oil, AWM 32 or Equivalent, 4.54 L | | | |

* NOT SHOWN.

** SELECT AS REQUIRED.