

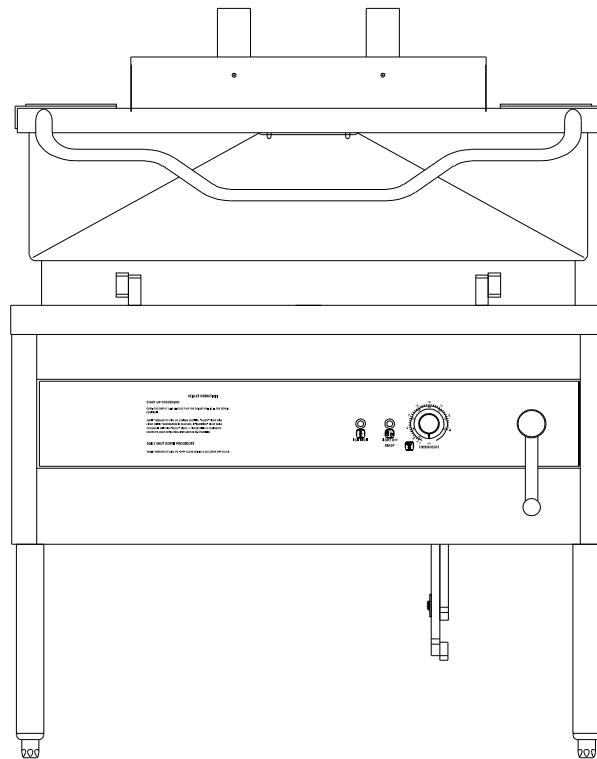


IMPORTANT FOR FUTURE REFERENCE
Please complete this information and retain this manual for the life of the equipment:

Model #: _____
Serial #: _____
Date Purchased: _____

PARTS LIST


Gas Floor Model Braising Pan With Manual Gearbox Tilt GS-30 GS-40 GS-40N GS-60



WARNING

Improper installation, adjustment, alteration, service or maintenance can cause property damage, injury or death. Read the installation, operating and maintenance instructions thoroughly before installing or servicing this equipment.

CROWN FOOD SERVICE EQUIPMENT

 A Middleby Company

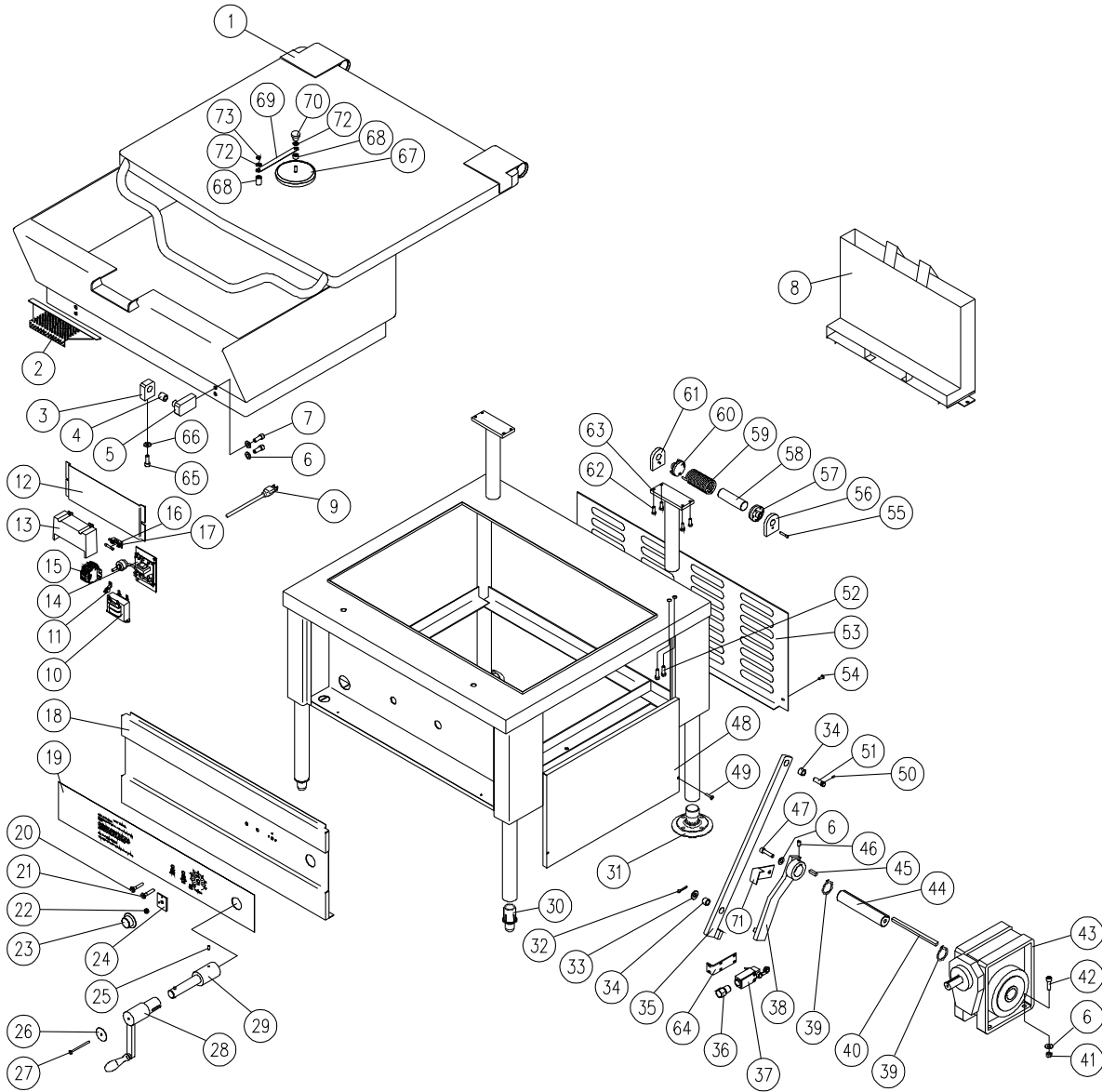
70 Oakdale Road, Downsview (Toronto) Ontario, Canada, M3N 1V9
Telephone: 919-762-1000 www.crownsteamgroup.com

Printed in Canada



PARTS LIST, GAS FLOOR MODEL BRAISING PAN WITH MANUAL GEARBOX TILT,
GS-30, GS-40, GS-40N, GS-60

FIGURE 1



5634-1R4

PARTS LIST, GAS FLOOR MODEL BRAISING PAN WITH MANUAL GEARBOX TILT,
GS-30, GS-40, GS-40N, GS-60

FIGURE 1

<u>ITEM</u>	<u>PART NO.</u>	<u>DESCRIPTION</u>	<u>QUANTITY</u>			
			<u>GS-30/40N</u>	<u>GS-40</u>	<u>GS-60</u>	
1.	8113-4	Pan Cover Assembly	1			
	8114-4	Pan Cover Assembly		1		
	8115-4	Pan Cover Assembly			1	
2.	7380-1	Pour Lip Strainer	1	1	1	
3.	5877-1	Base Bracket	2	2	2	
4.	3704-1	Bronze Bearing	2	2	2	
5.	5878-1	Pan Tilt Bracket, RH	1	1	1	
	5878-2	Pan Tilt Bracket, LH	1	1	1	
6.	S01X-38	Lock Washer, 3/8"	9	9	9	
7.	M68P-3816-1	Socket Head Screw, 3/8 - 16 x 1"	4	4	4	
**	8.	7385-1	Flue Assembly	1		
		7457-1	Flue Assembly		1	1
9.	4127-3	Cord Set - 120V Units	1	1	1	
10.	9-3383	Transformer, 120V - 24V	1	1	1	
	9123-1	Transformer, 230V - 24V, 50 VA, (220V Units)	1	1	1	
11.	4189-1	Ground Lug	1	1	1	
12.	7854-1	Component Mounting Plate	1	1	1	
13.	9210-2	Ignition Module, 24V	1	1	1	
14.	5555-1	Operating Temperature Control, 120V	1	1	1	
	5555-2	Operating Temperature Control, 220V	1	1	1	
15.	9390-2	Modular Terminal Assembly, 2 Poles	1	1	1	
		Includes the following parts:				

PARTS LIST, GAS FLOOR MODEL BRAISING PAN WITH MANUAL GEARBOX TILT,
GS-30, GS-40, GS-40N, GS-60

ITEM	PART NO.	DESCRIPTION	QUANTITY			
			GS-30/40N	GS-40	GS-60	
15.	9391-1	Modular Terminal	2	2	2	
	9392-1	End Plate	1	1	2	
	9393-1	End Clamp	2	2	2	
	9394-053	Mounting Rail, 53 mm	1	1	1	
16.	9092-1	Fuse, 1 Amp., 250V	1	1	1	
17.	9068-1	Fuse Holder	1	1	1	
18.	7432-1	Control Panel	1			
	7432-2	Control Panel		1	1	
19.	7274-2	Control Decal	1	1	1	
20.	4661-1	Pilot, Ignition, Green, 24V	1	1	1	
21.	4661-8	Pilot, Temperature, Red, 24V	1	1	1	
22.	9109-1	Potentiometer Shaft Seal	1	1	1	
**	23.	4352-1	Knob (F)	1	1	1
	4689-1	Knob (C)	1	1	1	
*	3987-1	Bezel	1	1	1	
24.	3691-1	Potentiometer Spacer	1	1	1	
25.	9061-4	Set Screw, 1/4 - 20 x 1/2	1	1	1	
26.	5608-1	Decal - Tilt	1	1	1	
27.	M92S-1032-3	Screw, 10 - 32 x 3	1	1	1	
28.	5628-1	Tilt Handle Assembly	1	1	1	
	5628-2	Tilt Handle Assembly (GS-60)			1	
29.	5627-1	Input Shaft	1	1	1	
30.	5-FS64-1	Adjustable Foot	2	2	2	
31.	8-1308	Flanged Adjustable Foot	2	2	2	
32.	5329-4	Cotter Pin, 1/8 x 1 Lg.	1	1	1	

PARTS LIST, GAS FLOOR MODEL BRAISING PAN WITH MANUAL GEARBOX TILT,
GS-30, GS-40, GS-40N, GS-60

<u>ITEM</u>	<u>PART NO.</u>	<u>DESCRIPTION</u>	<u>QUANTITY</u>			
			<u>GS-30/40N</u>	<u>GS-40</u>	<u>GS-60</u>	
33.	5647-1	Special Flat Washer, 1/2"	1	1	1	
34.	9103-2	Oilite Bushing	2	2	2	
35.	5619-1	Upper Tilt Arm	1	1	1	
36.	9176-1	Liquid Tight Connector/Strain Relief	2	2	2	
*	9176-2	Liquid Tight Lock Nut	2	2	2	
37.	9168-1	Tilt Limit Switch	1	1	1	
38.	5620-1	Lower Tilt Arm	1	1	1	
39.	9174-1	External Retaining Ring	2	2	2	
**	40.	5337-2	Key, 8 mm x 10 mm x 5 1/2"	1	1	
		5337-4	Key, 8 mm x 10 mm x 6-3/8"	1		
41.	9029-3	Hex Nut, 3/8 - 16	4	4	4	
42.	M68P-3816-114	Socket Head Screw, 3/8 - 16 x 1-1/4	4	4	4	
43.	9131-1	Gear Box	1	1	1	
**	44.	5637-1	Output Shaft	1		
		5637-2	Output Shaft		1	1
45.	5337-3	Key, 8 mm x 10 mm x 1"	1	1	1	
46.	9061-5	Set Screw, 3/8" x 16 UNC x 1/2	1	1	1	
47.	M68P-3816-112	Socket Head Screw, 3/8 - 16 NC x 1-1/2	1	1	1	
48.	7448-1	Side Access Panel	1	1	1	
49.	M33S-1032-1	Screw, 10 - 32 x 1	2	2	2	
50.	S2101N-832-516	Set Screw, 8 - 32 x 5/16	1	1	1	
51.	5624-1	Yoke Pin	1	1	1	

PARTS LIST, GAS FLOOR MODEL BRAISING PAN WITH MANUAL GEARBOX TILT,
GS-30, GS-40, GS-40N, GS-60

ITEM	PART NO.	DESCRIPTION	QUANTITY			
			GS-30/40N	GS-40	GS-60	
52.	M50S-51618-1	Hex Head Screw, 5/16 - 18 UNC x 1	4	4	4	
*	S01X-516	Slit Lock Washer, 5/16" Diameter	4	4	4	
53.	7449-2	Rear Panel	1			
	7462-2	Rear Panel		1	1	
54.	M33S-1032-12	Screw, 10 - 32 x 1/2"	2	2	2	
55.	3725-1	Lock Pin	2	2	2	
56.	3726-1	End Lock Plate	2	2	2	
57.	5428-1	Stationary Disc	2	2	2	
58.	5430-1	Core	2	2	2	
59.	4008-1	Spring	2	2	2	
60.	5429-1	Rotary Disc	2	2	2	
61.	3727-1	End Stop Plate	2	2	2	
62.	M50S-1420-34	Screw, 1/4 - 20 x 3/4	8	8	8	
**	63.	5651-1	Hinge Support Assembly for GS-30/40	2	2	
		5651-3	Hinge Support Assembly for GS-40N	2		
		5651-2	Hinge Support Assembly for GS-60			2
64.	5635-1	Tilt Switch Bracket	1	1	1	
65.	M68P-1213-1	Socket Head Screw, 1/2 - 13 x 1"	2	2	2	
66.	S01X-12	Lock Washer, 1/2"	2	2	2	
67.	4139-1	Vent Cover	1	1	1	
68.	4355-1	Swivel Spacer	2	2	2	
69.	5817-1	Arm	1	1	1	

PARTS LIST, GAS FLOOR MODEL BRAISING PAN WITH MANUAL GEARBOX TILT,
GS-30, GS-40, GS-40N, GS-60

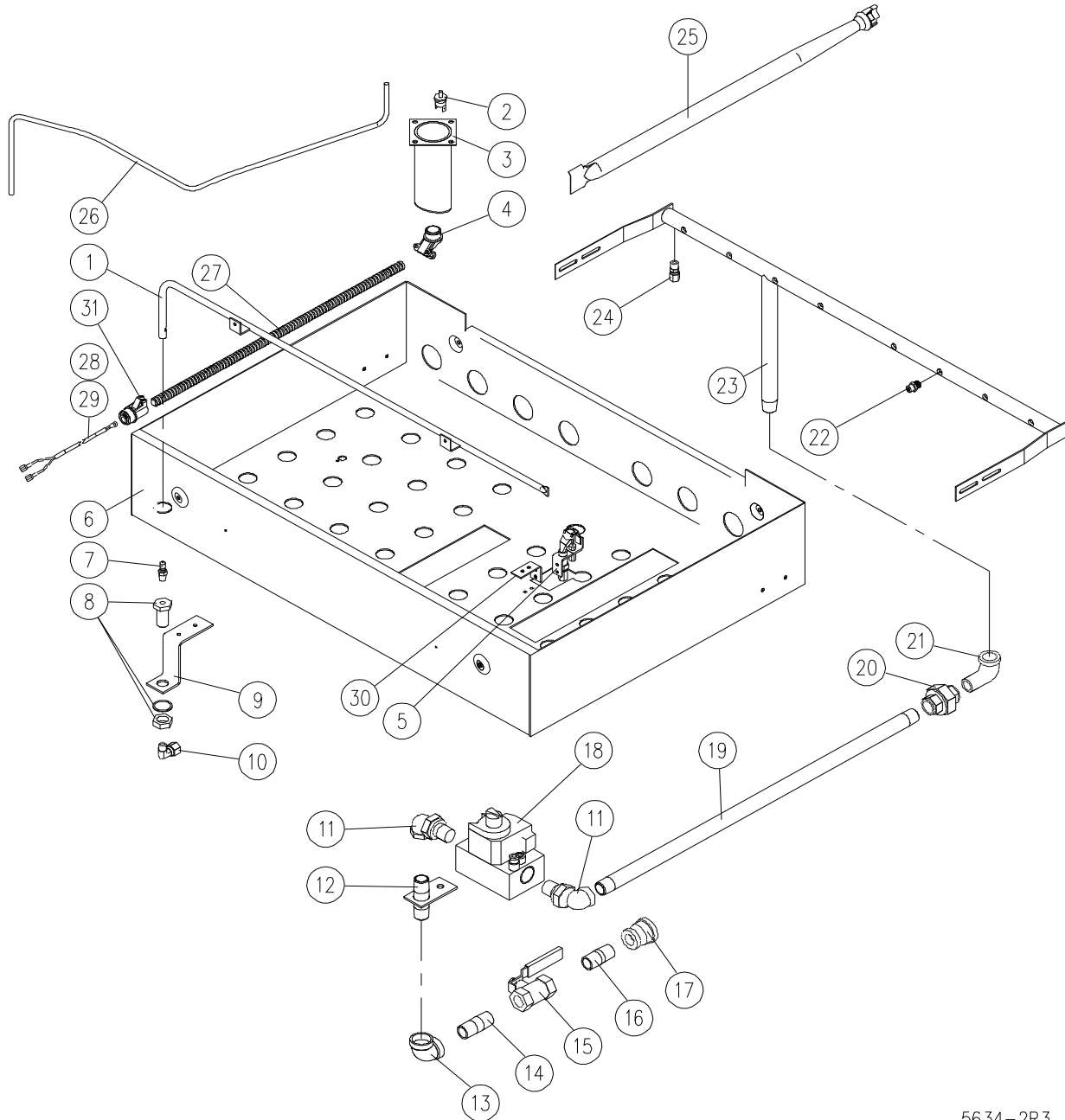
<u>ITEM</u>	<u>PART NO.</u>	<u>DESCRIPTION</u>	<u>QUANTITY</u>		
			<u>GS-30/40N</u>	<u>GS-40</u>	<u>GS-60</u>
70.	9248-1	Knob	1	1	1
71.	5767-1	Tilt Switch Cam	1	1	1
72.	F105N-14	Washer, 1/4	2	2	2
73.	9031-5	Acorn Nut, 1/4 - 20 x 3/8	1	1	1
* 74.	9214-14	Control Panel Support Chain	1	1	1

* NOT SHOWN.

** SELECT AS REQUIRED.

PARTS LIST, GAS FLOOR MODEL BRAISING PAN WITH MANUAL GEARBOX TILT,
GS-30, GS-40, GS-40N, GS-60

FIGURE 2



5634-2R3

PARTS LIST, GAS FLOOR MODEL BRAISING PAN WITH MANUAL GEARBOX TILT,
GS-30, GS-40, GS-40N, GS-60

FIGURE 2

<u>ITEM</u>	<u>PART NO.</u>	<u>DESCRIPTION</u>	<u>GS- 30/40N</u>	<u>GS-40</u>	<u>GS-60</u>
** 1.	7393-1	Lighter Tube	1		
	7459-1	Lighter Tube		1	1
2.	4914-2	High Limit Thermostat	1	1	1
3.	5978-1	High Limit Cover	1	1	1
*	5045-1	Ceramic Fiber Insulation Liner, 5" x 4"	1	1	1
4.	9325-1	45° Connector, 1/2"	1	1	1
** 5.	5171-1	Pilot Burner, Natural Gas	1	1	1
	5171-2	Pilot Burner, Liquid Propane	1	1	1
6.	7618-1	Burner Box	1		
	7619-1	Burner Box		1	1
** 7.	3574-56	Lighter Orifice, #56, Natural Gas	1	1	1
	3574-72	Lighter Orifice, #72, LP Gas	1	1	1
8.	3-129B	Orifice Bulkhead	1	1	1
9.	5633-1	Bulkhead Bracket	1	1	1
10.	3-694A	Elbow, 1/4 C x 1/8 MPT	1	1	1
11.	3-U4BE	Union Elbow, 1/2"	2	2	2
12.	5239-1	Flange Nipple, 1/2"	1	1	1
13.	9011-3	Elbow, 1/2"	1	1	1
14.	9009-020	Nipple, 1/2" x 2"	1	1	1
15.	4918-1	Gas Shut-Off Valve	1	1	1
16.	9009-000	Close Nipple, 1/2"	1	1	1
17.	9034-1	Reducing Coupling, 3/4" x 1/2"	1	1	1
** 18.	5450-1	Gas Control, Natural Gas	1	1	1

PARTS LIST, GAS FLOOR MODEL BRAISING PAN WITH MANUAL GEARBOX TILT,
GS-30, GS-40, GS-40N, GS-60

<u>ITEM</u>	<u>PART NO.</u>	<u>DESCRIPTION</u>	<u>GS- 30/40N</u>	<u>GS-40</u>	<u>GS-60</u>	
	5450-2	Gas Control, LP Gas	1	1	1	
19.	9009-244	Gas Supply Pipe, 1/2" x 24 - 1/2"	1	1	1	
20.	9015-3	Union, 1/2"	1	1	1	
21.	9012-3	Street Elbow, 1/2"	1	1	1	
**	22.	3598-51	Orifice #51, Natural Gas	8	10	10
		3598-60	Orifice #60, LP Gas	8	10	10
**	23.	7438-1	Manifold Assembly	1		
		7458-1	Manifold Assembly		1	1
	24.	3-684A	Connector, 1/4 CC x 1/8 MPT	1	1	1
	25.	9167-1	Burner	8	10	
**	26.	8271-1	Pilot Tube	1		
		8272-1	Pilot Tube		1	1
**	27.	9021-2210	Flexible Metal Conduit, 21"	1		
		9021-2194	Flexible Metal Conduit, 19-1/2"		1	1
	28.	9288-60	Thermocouple	1	1	1
	29.	9271-05YE300	Silicone Sleeve	1	1	1
	30.	5858-1	Bracket, Pilot Burner	1	1	1
	31.	9326-1	Straight Connector, 1/2"	1	1	1

* NOT SHOWN.

** SELECT AS REQUIRED.