

# Commodore Thermalizer

## Parts Identification Manual



For service information call 1-800-234-5286

# Commodore Thermalizer

## Table of Contents

Photo Reference .....	3-6
Parts Descriptions & Order numbers .....	7-8

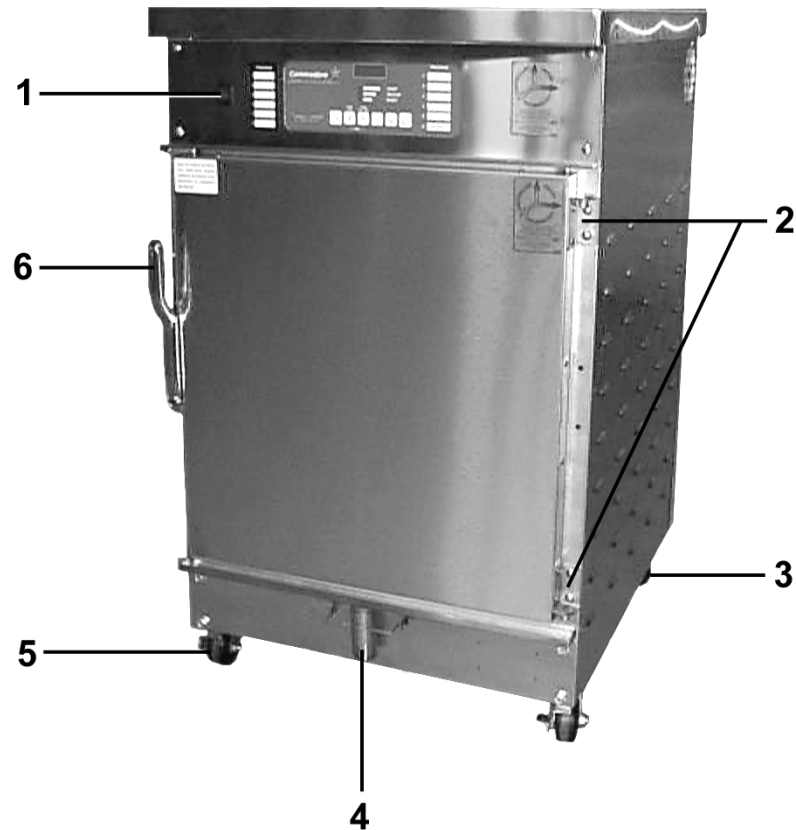
### How to Use This Manual

Use photo reference (pages 3-6) to identify parts. Match photo reference numbers with parts descriptions and order numbers (pages 7-8).

# Commodore Thermalizer

## Parts Identification

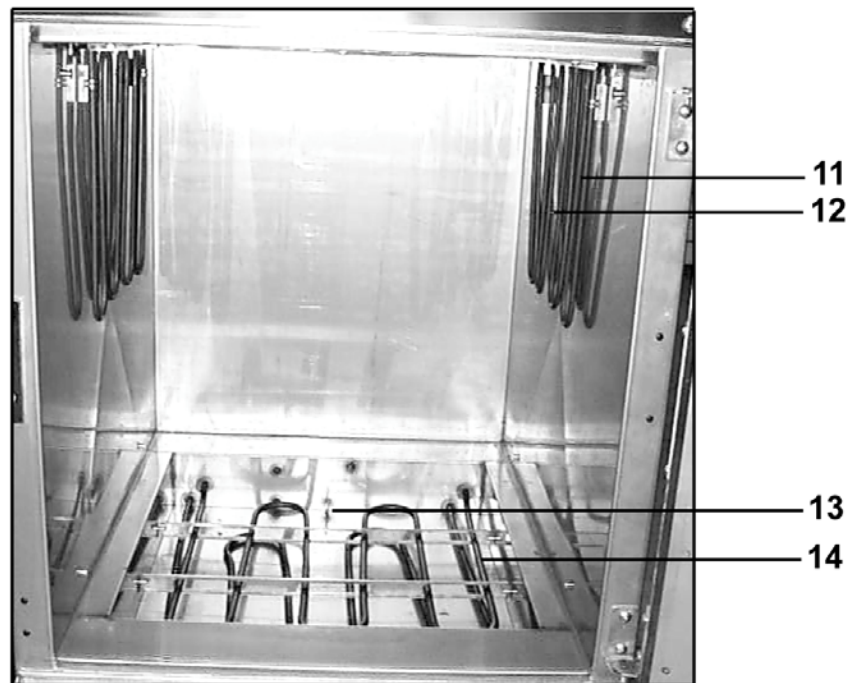
Note: See pages 7-8 for descriptions and order numbers.



# Commodore Thermalizer

## Parts Identification

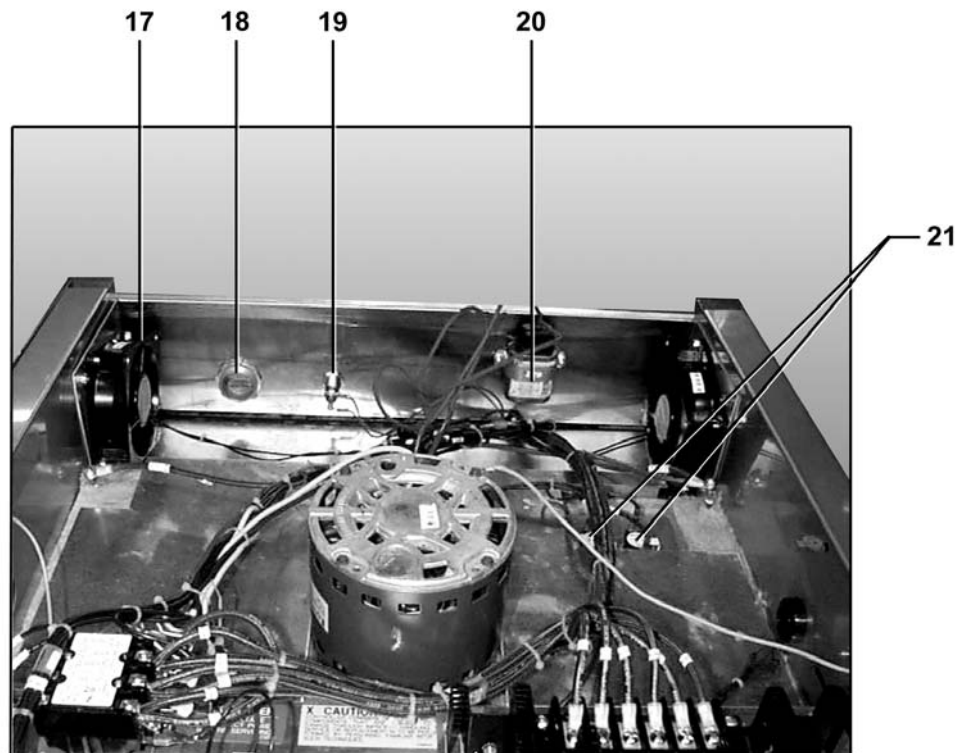
Note: See pages 7-8 for descriptions and order numbers.



# Commodore Thermalizer

## Parts Identification

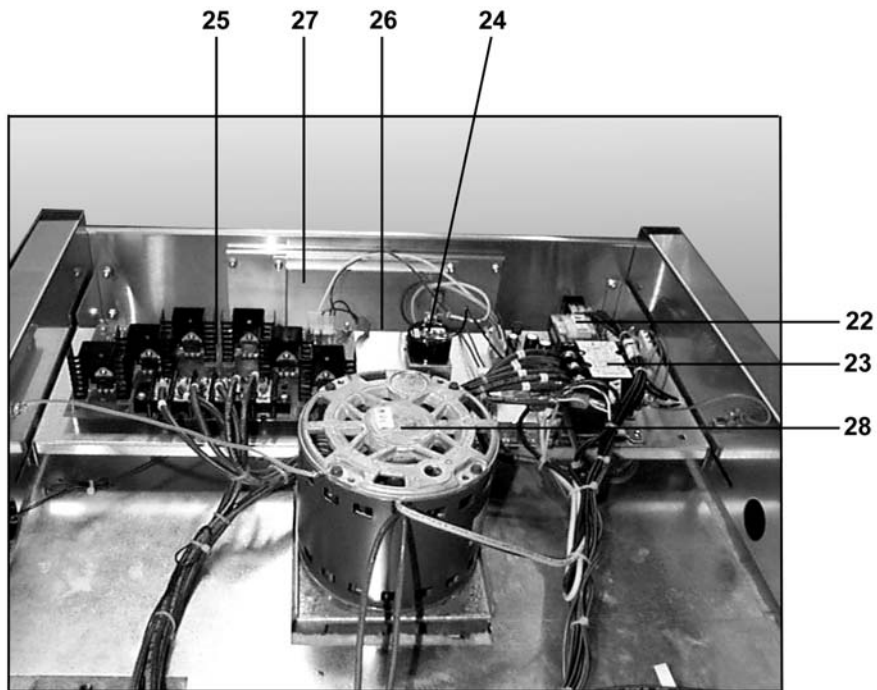
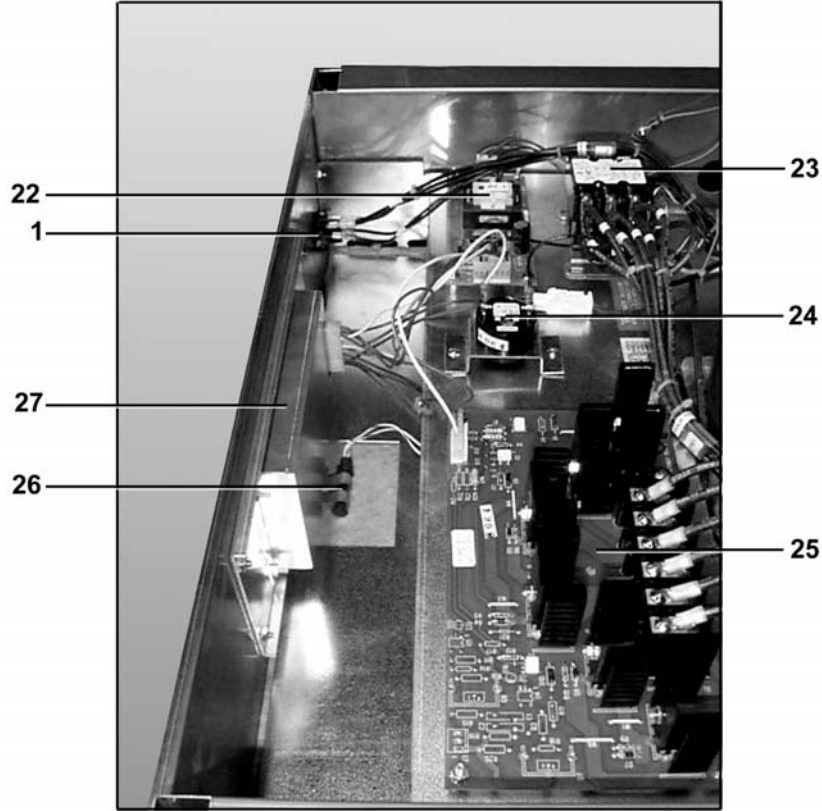
Note: See pages 7-8 for descriptions and order numbers.



# Commodore Thermalizer

## Parts Identification

Note: See pages 7-8 for descriptions and order numbers.



# Commodore Thermalizer

## Parts Identification

Photo Reference Number	Part Description	Order Number
1	Power Switch Rocker Type Toggle Type	<a href="#">PS2304</a> <a href="#">PS1529</a>
2	Hinge Kit	<a href="#">PS2116</a>
3	Non-locking Caster	<a href="#">PS2147</a>
4	Drip Cup & Retainer	<a href="#">PS2182</a>
5	Locking Caster	<a href="#">PS2146</a>
6	Handle	<a href="#">PS1774</a>
7	Door Gasket	<a href="#">PS2150</a>
8	Flue	<i>REF. ONLY</i>
9	Removable Shelf	<a href="#">PS2305</a>
10	Evaporator Cover	<a href="#">PS2365</a>
11	Air Heater	<a href="#">PS2368</a>
12	Air Probe	<a href="#">PS2178</a>
13	Water Probe	<a href="#">PS2177</a>
14	Water Heater Top Element Bottom Element	<a href="#">PS2367</a> <a href="#">PS2366</a>
15	Circulating Fan Wheel (Hidden)	<a href="#">PS2371</a>
16	Circulating Fan Cover	<a href="#">PS2370</a>

<b>17</b>	<b>Cooling Fan</b>	<b>PS2098</b>
<b>18</b>	<b>Power Cord Strain Relief</b>	<i>REF. ONLY</i>
<b>19</b>	<b>Program Lock Key Switch</b>	<i>REF. ONLY</i>
<b>20</b>	<b>Circulation Fan Motor Starting Capacitor</b>	<i>REF. ONLY</i>
<b>21</b>	<b>High Limit Thermostat</b>	<b>PS2369</b>
<b>22</b>	<b>Transformer Board</b>	<b>PS2172</b>
<b>23</b>	<b>Contactor (Magnetic)</b>	<b>PS1007</b>
<b>24</b>	<b>Buzzer Assembly</b>	<b>PS1589</b>
<b>25</b>	<b>Power Board</b>	<b>PS2354</b>
<b>26</b>	<b>Door Switch</b>	<b>PS2372</b>
<b>27</b>	<b>Control Board</b>	<b>PS2203</b>
<b>28</b>	<b>Circulating Fan Motor</b>	<b>PS2119</b>