

WIRING
DIAGRAM FOR
115V/60Hz/1Ø
400/4000/
4400 SERIES
REFRIGERATORS

L1

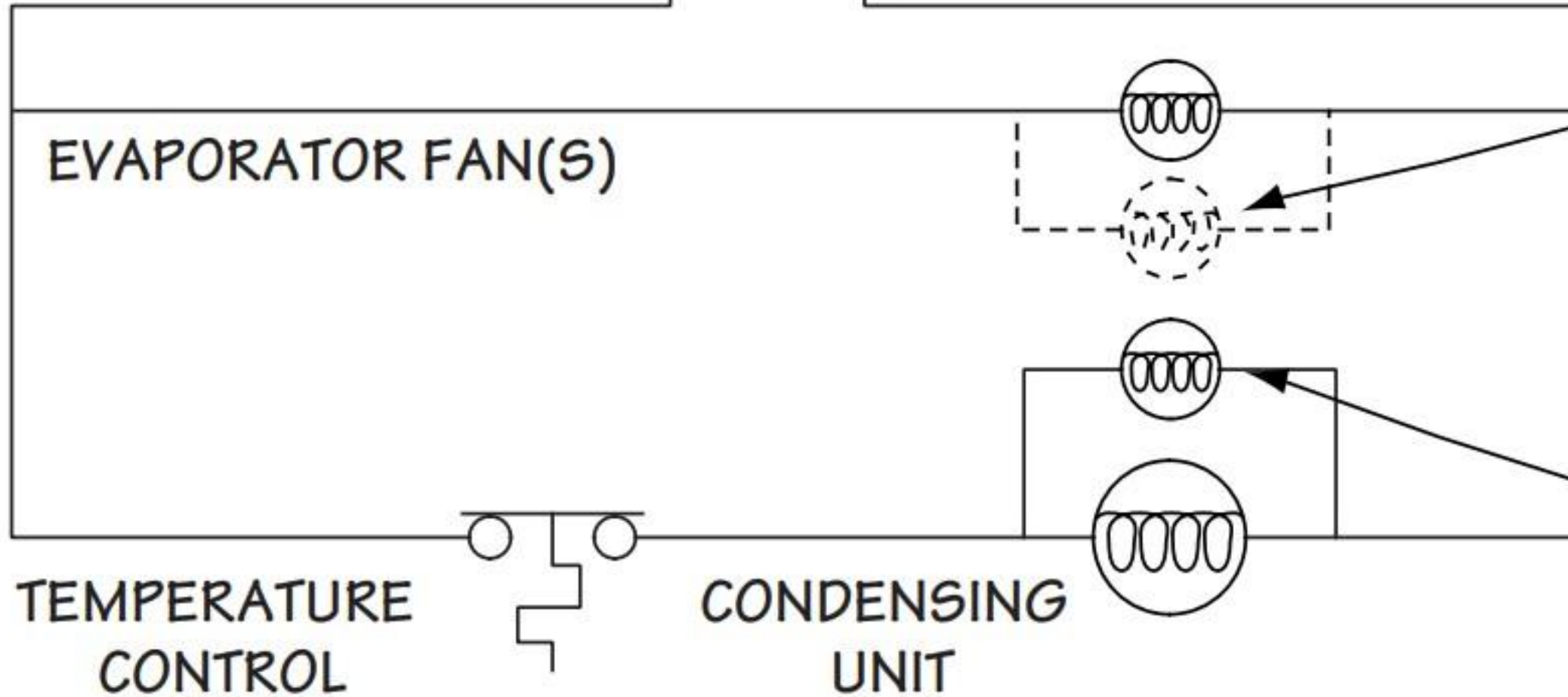
G

N

NEMA 5-15P
SUPPLY CORD AND
PLUG FURNISHED

BLACK

WHITE



EVAPORATOR FAN(S)

ADDITIONAL FANS
FOR 4400 ONLY

TEMPERATURE
CONTROL

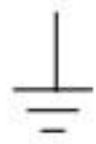
CONDENSING
UNIT

4400 SERIES WILL HAVE
TWO CONDENSER FANS

WIRING
DIAGRAM FOR
115V/60Hz/1Ø
400/4000 SERIES
FREEZERS

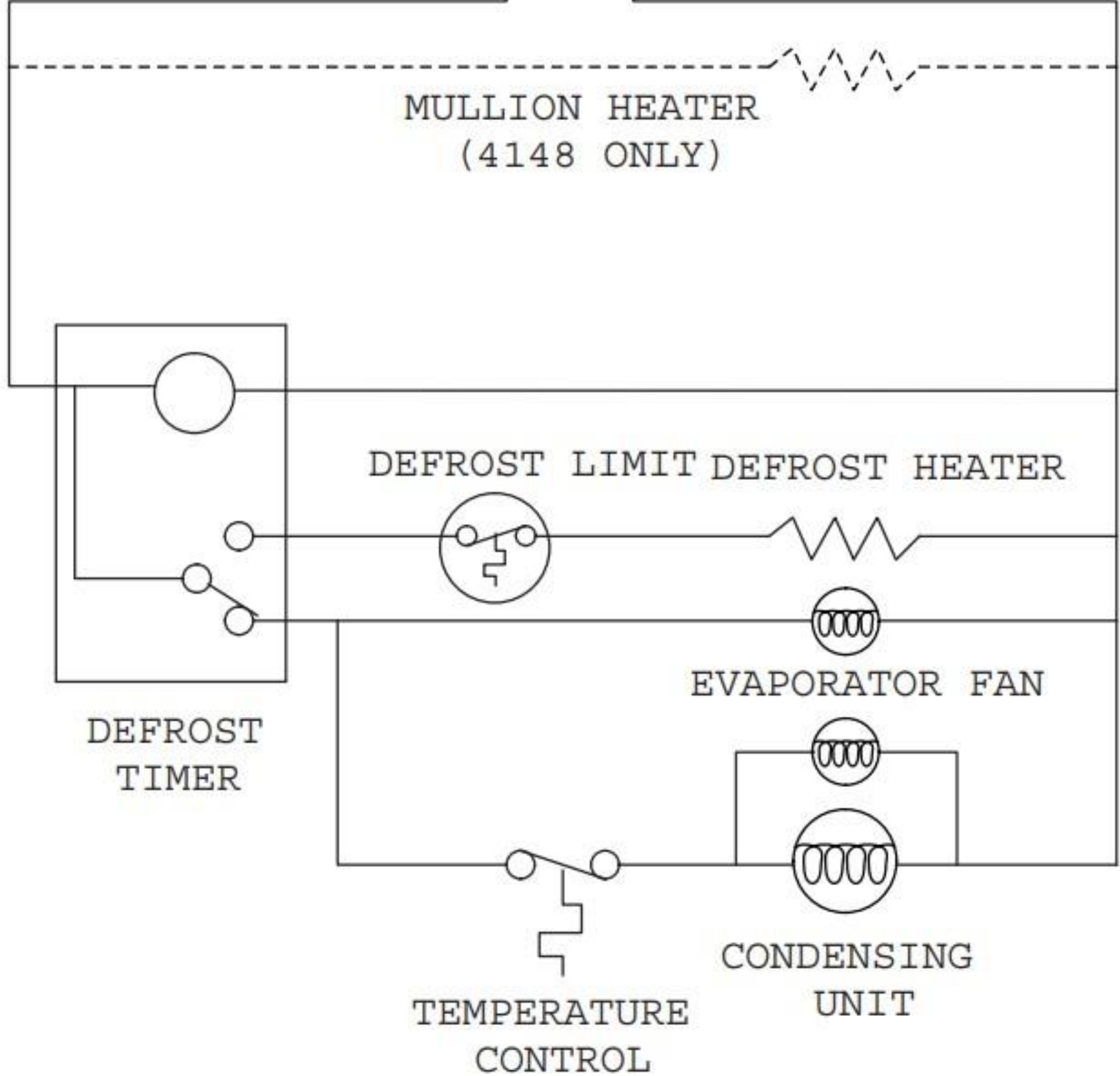
L1 GRD. **N**

NEMA 5-15P
SUPPLY CORD AND
PLUG FURNISHED



BLACK

WHITE



MULLION HEATER
(4148 ONLY)

DEFROST LIMIT DEFROST HEATER

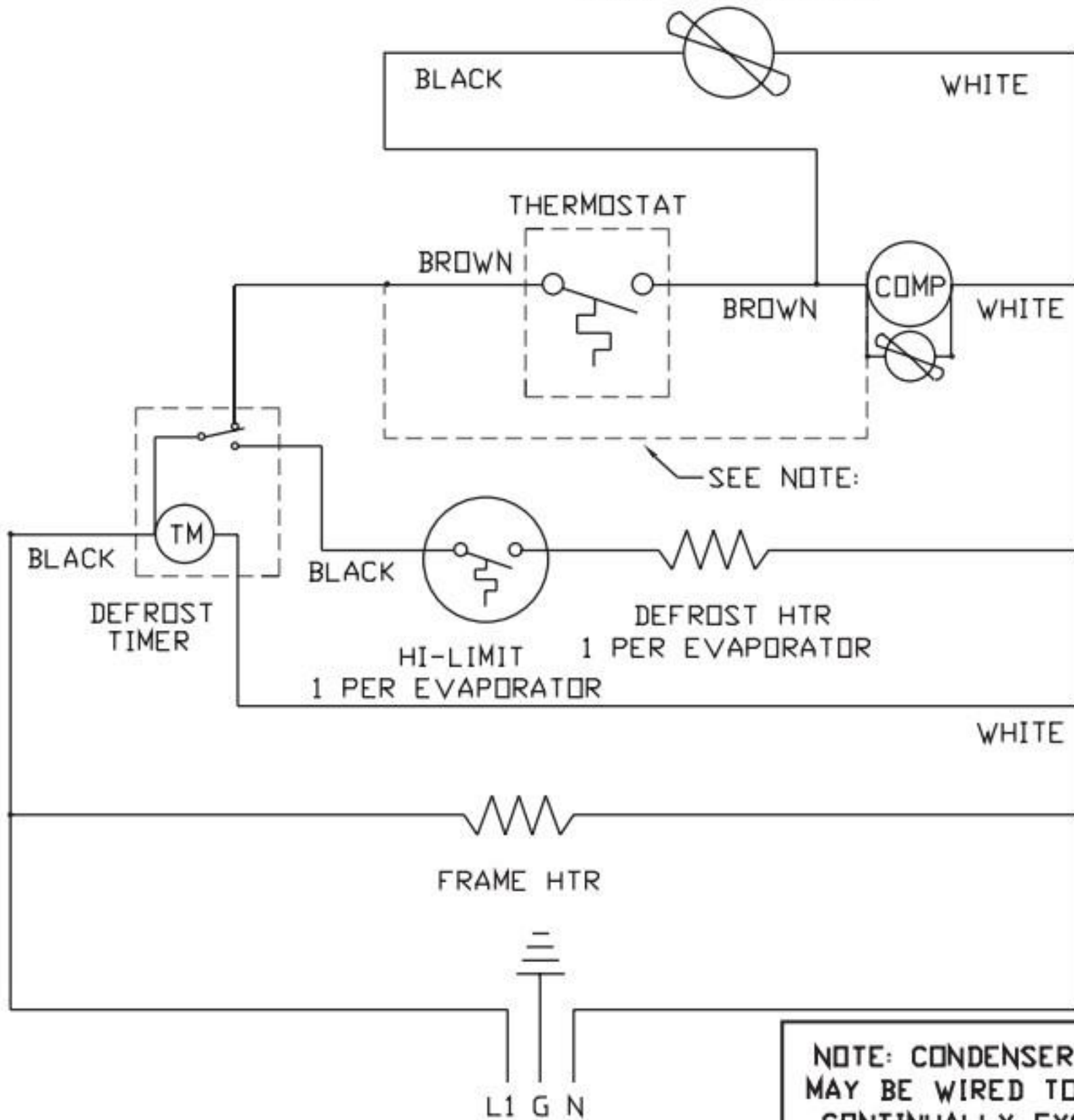
EVAPORATOR FAN

DEFROST
TIMER

TEMPERATURE
CONTROL

CONDENSING
UNIT

EVAPORATOR FAN
1 PER EVAPORATOR



SEE NOTE:

NOTE: CONDENSER FAN
MAY BE WIRED TO RUN
CONTINUALLY EXCEPT
DURING DEFROST

115V-1PH-60HZ
NEMA 5-15P SUPPLY CORD AND
PLUG FURNISHED.