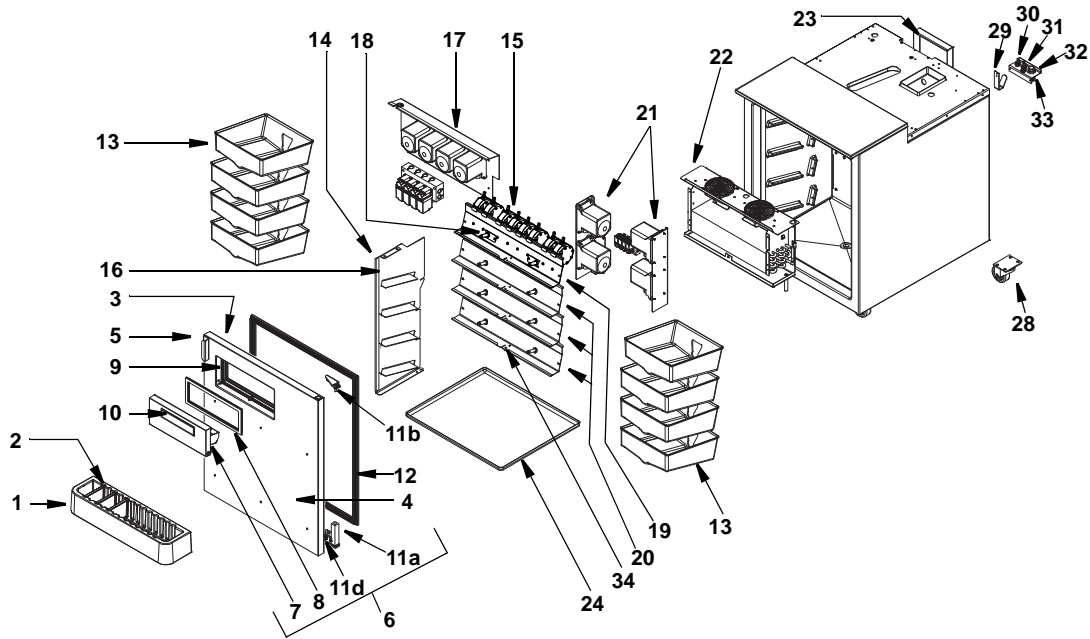




## **Parts List for BIM Models**

<b>MS-8-1H</b>	<b>MS-8-FH</b>
<b>MS-8-1LH</b>	<b>MS-8-FLH</b>
<b>MS-8-EH</b>	<b>MS-8-BH</b>
<b>MS-8-ELH</b>	<b>MS-8-BLH</b>
<b>MS-8-AH</b>	<b>MS-8-CH</b>
<b>MS-8-ALH</b>	<b>MS-8-CLH</b>

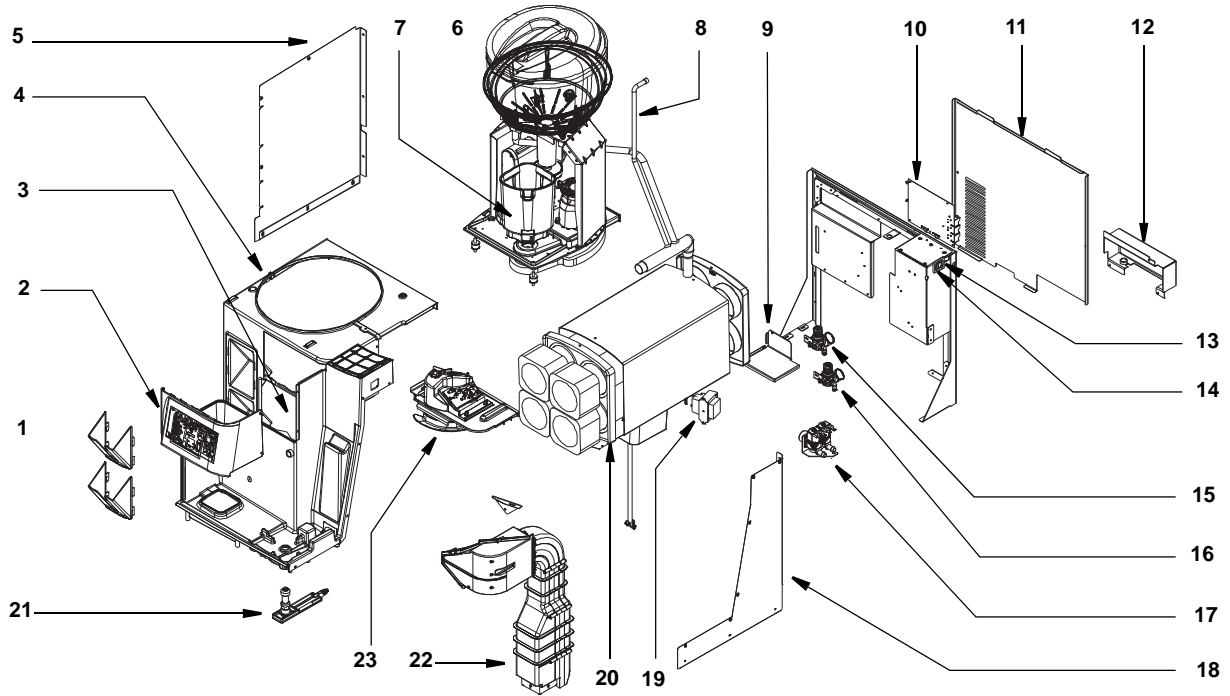
# CABINET & DOOR



**DESCRIPTION**

		<b>PART NO.</b>
1	Syrup Rack	1706194
2	Syrup Rack Divider	1706195
3	<b>Door Liner</b>	
a.	Standard Door	1708534
b.	With Whip Cream Door	1706207
c.	With Whip Cream Door (Models MS-8-CH, MS-8-CLH, MS-8-EH, MS-8-ELH)	1708567
4	<b>Door Front</b>	
a.	Standard Door	272-024-000B
b.	With Whip Cream Door - Right Hinge	272-024-0007
c.	With Whip Cream Door - Right Hinge (Models MS-8-CH, MS-8-CLH, MS-8-EH, MS-8-ELH)	272-024-000C
d.	With Whip Cream Door - Left Hinge	272-024-0009
e.	With Whip Cream Door - Left Hinge (Models MS-8-CH, MS-8-CLH, MS-8-EH, MS-8-ELH)	272-024-000E
5	<b>Handle</b>	
a.	Plate (Right or Left)	024-CEL-0001
b.	Handle, S/S, BIDM (Right or Left)	263-CEM-0000
6	<b>Complete Door Assemblies</b>	
a.	Standard Door - Right Hinge	000-187-0019
b.	With Whip Cream Door - Right Hinge	000-187-0014
c.	With Whip Cream Door - Right Hinge (Models MS-8-CH, MS-8-CLH, MS-8-EH, MS-8-ELH)	000-187-000A
d.	With Whip Cream Door - Left Hinge	000-187-0018
e.	With Whip Cream Door - Left Hinge (Models MS-8-CH, MS-8-CLH, MS-8-EH, MS-8-ELH)	000-187-000C
7	<b>Whip Cream Door</b>	
a.	Standard Size	000-187-0016
b.	Large Door (Models MS-8-CH, MS-8-CLH, MS-8-EH, MS-8-ELH)	000-187-000B
8	<b>Whip Cream Door Gasket</b>	
a.	Standard Size	1706209
b.	Large Door (Models MS-8-CH, MS-8-CLH, MS-8-EH, MS-8-ELH)	1708568
9	<b>Whip Cream Door Insert</b>	
a.	Standard Size	1706191
b.	Large Door (Models MS-8-CH, MS-8-CLH, MS-8-EH, MS-8-ELH)	1708566
10	Whip Cream Door Handle, All Models	3234255
11	<b>Hinge Kit</b>	<b>RF000066</b>
a.	Concealed Cart. Hinge	3237516
b.	Top Right-Hand Pivot Bracket	3234228
c.	Top Left-Hand Pivot Bracket	3234229
d.	Bottom Right-Hand Hinge Bracket	3234226
e.	Bottom Left-Hand Hinge Bracket	3234227
12	Door Gasket	1706208
13	Horizontal Product Bin	1706268
14	Bin Ctn. Support	270-CI5-0000
15	Expansion Valve, Product, Beverage	3239690
16	Bin Support Plate	270-CI6-0000
17	Top Valve & Pump Assembly (See Page 6)	000-CDS-0005
18	Product to Pump Fitting	3547808
19	Product Stop Shelf, Top, with Expansion Valve Mount	372-CDY-0030
20	Product Stop Shelf	372-CDY-0003
21	Lower Valve & Pump Assembly (See Page 6)	000-CDS-0006
22	<b>Evaporator Coil Assembly (See Page 7)</b>	
a.	115V/60 Model 1H	000-CD0-0000
b.	220V/50 Models AH, BH, CH & EH	000-CD0-0001
23	Refrigerator Lines Back Cover	028-CCZ-0000
24	Product Drip Pan	076-CDZ-0000
25	Product Hose Oetiker Clamp (Not shown)	9324097
26	Polyethylene Tube, 1/4" (Not shown)	3547769
27	Clear Tubing, 9/16" OD x 5/16" ID (Not shown)	1702023
28	Caster, 3" Diameter, Plate, Swivel, Brake, Polyolefin	MCP00175
	<b>Miscellaneous – Brackets, Screws, etc.</b>	
29	Small Shy Cord Hook Bracket	263-428-0000
30	Barbed Male Coupling, 1/4"	3237385
31	Barbed Female Coupling, 1/4"	3237375
32	Barbed Coupling, 1"	3547778
33	Fitting Bracket	270-CDU-0002
34	Chrome Plated Acorn Nut, #10-24	9321041

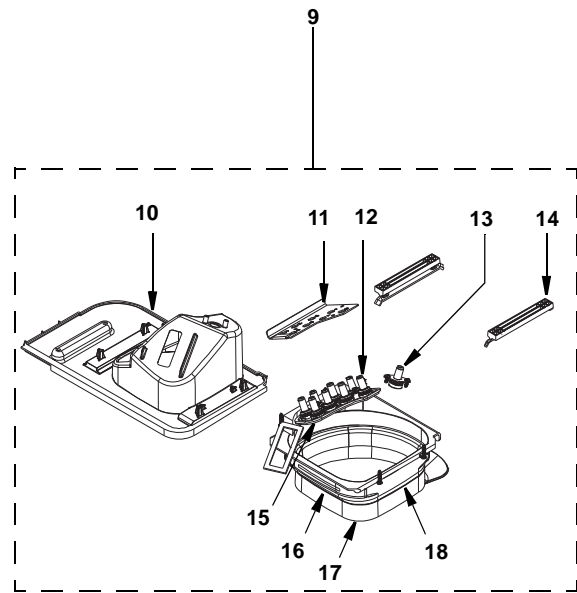
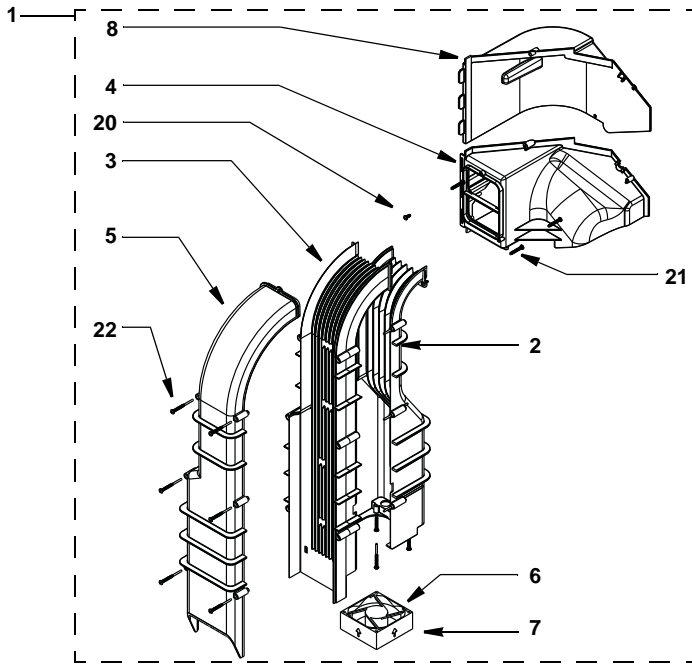
# TOP ASSEMBLY



**DESCRIPTION**

DESCRIPTION	PART NO.
1 Lid Dispenser Bracket . . . . .	1706142
2 UIB Display Assembly . . . . .	2195107
3 Top Front Panel . . . . .	1706159
4 Top Ice Bin Cover . . . . .	1706145
5 Outer Side Panel . . . . .	359-CCJ-0002
6 Sandwich Mount, 1/4-20 . . . . .	9324078
7 Outlet Blender Gasket . . . . .	1706221
8 Dipped Drain Tube . . . . .	1706218
9 Upper Electric Box Cover . . . . .	027-CCZ-0002
10 Blender/Shaver I/O Control Board . . . . .	2195110
11 Back Upper Panel . . . . .	359-CCZ-0001
12 Inlet Back Cover . . . . .	265-BZZ-0001
13 BIDM Switch Gasket . . . . .	1706262
14 ON/OFF 20A, 6000 Rocker Switch . . . . .	2194400
15 Water Pressure Regulator . . . . .	3547784
16 CO <sub>2</sub> Water Regulator . . . . .	3547785
17 Double Water Solenoid Valve, 1/4" . . . . .	3547828
18 Upper Right Panel . . . . .	359-CCJ-0003
<b>19 Transformer</b>	
a. Model MS-8-1H (120V/24V) . . . . .	2195105
b. Models MS-8-AH, MS-8-BH, MS-8-CH & MS-8-EH (220V/24V) . . . . .	2195102
20 Rinse Pitcher Bracket . . . . .	1706126
21 PTC Fitting, 1/8" MPT to 1/4" . . . . .	3547773
22 Product Tube Duct Assembly (See Page 4) . . . . .	000-BIC-0003
23 Complete Duct Outlet Assembly (See Page 4) . . . . .	000-BIC-0002
24 Oetiker Clamp, 3/8" (Not shown) . . . . .	9324095
25 Oetiker Clamp, 1/2" (Not shown) . . . . .	9324097
26 Drain Hose Oetiker Clamp (Not shown) . . . . .	9324098
27 Rinse Hose Oetiker Clamp (Not shown) . . . . .	9324099
28 Vitamix Hose Oetiker Clamp (Not shown) . . . . .	9324100
29 Barbed Coupling, 1/4" Stem x 1/4" (Not shown) . . . . .	3547832
30 Barbed Coupling, 1/4" Stem x 5/16" (Not shown) . . . . .	3547779
31 Cup Dispenser (Not shown) . . . . .	1706175
32 WYE Fitting, 1/4" PTC (Not shown) . . . . .	3237378
33 Fitting, 3/4" Hose to 3/8" PTC (Not shown) . . . . .	3547788
34 I/O Board Ceramic HT Fuse, 5A . . . . .	2195313
35 Nozzle Block Gasket (Not shown) . . . . .	1706183
36 Rinse Area Spray Nozzle (Not shown) . . . . .	3547765
37 BIDM Cabinet Thermistor Temperature Probe (Not shown) . . . . .	2195125
38 BIDM Product Thermistor Temperature Probe (Not shown) . . . . .	2195126
<b>39 Side Splash Guard (Not shown)</b>	
a. Models MS-8-1H & MS-8-AH . . . . .	000-BIC-001G
b. Models MS-8-BH, MS-8-CH & MS-8-EH . . . . .	272-BZZ-0002
40 Manual Rinse Switch (Not shown) . . . . .	2162731
41 Polyethylene Tube, 1/4" (Not shown) . . . . .	3547769
42 Clear Blue Tubing, 3/8" OD x 1/4" ID (Not shown) . . . . .	1702022
43 Clear Tubing, 1/2" OD (Not shown) . . . . .	1702023
<b>Miscellaneous – Brackets, Screws, etc.</b>	
44 Nut, .25-20 (Not shown) . . . . .	9321035
45 Clip-On J-Style Nut (Not shown) . . . . .	9324084

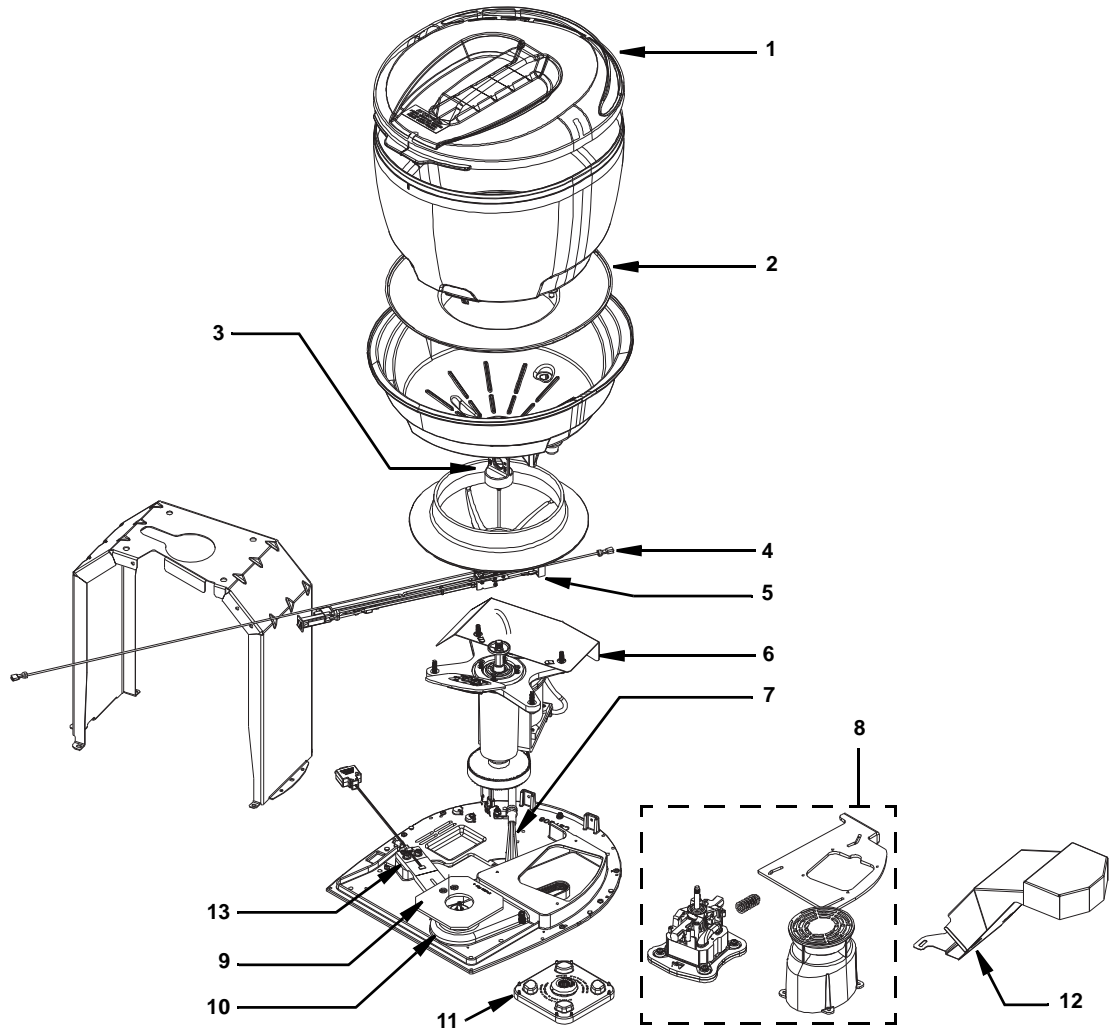
# AIR / PRODUCT DUCT ASSEMBLY & DISPENSE PLATE



**DESCRIPTION**

		<b>PART NO.</b>
<b>1</b>	<b>Complete Product Tube Duct Assembly</b> .....	<b>000-BIC-0003</b>
2	Trunk Line Bracket, Front .....	1706161
3	Trunk Line Bracket, Center .....	1706163
4	Trunk Line Bracket, Top .....	1706162
5	Trunk Line Bracket, Back .....	1706164
6	Fan, Axial, 80 x 80 x 32 .....	2162730
7	Wire Fan Guard 3-1/8" .....	3978124
8	Trunk Line Cover, Top .....	1706167
<b>9</b>	<b>Complete Duct Outlet Assembly</b> .....	<b>000-BIC-0002</b>
10	Dispense Manifold Cover .....	1706148
11	Dispenser Head Bracket .....	270-CCQ-0006
12	LMS Dispense Outlet Valve .....	1706172
13	Ambient H <sub>2</sub> O Plate .....	372-CCQ-0009
14	Splash Retainer Rail .....	1706202
15	Tube Block .....	1706166
16	Upper Inner Splash Bracket .....	1706200
17	Lower Inner Splash Bracket .....	1706284
18	Pitcher Outer Splash Bracket .....	1706281
19	Splash Shield Assembly (Not shown) .....	000-BIC-0010-S
<b>Miscellaneous – Brackets, Screws, etc.</b>		
20	Screw, Hi-Low, #8 x .375" .....	9324088
21	Screw, Hi-Low, #8 x 1.00" .....	9324090
22	Screw, Hi-Low, #8 x 1.75" .....	9324091
23	Tubing, 9/16 OD x 5/16 ID, clear (56') .....	1702023
24	Clamp, Oetiker, Hose, Product (Not shown) .....	9324097

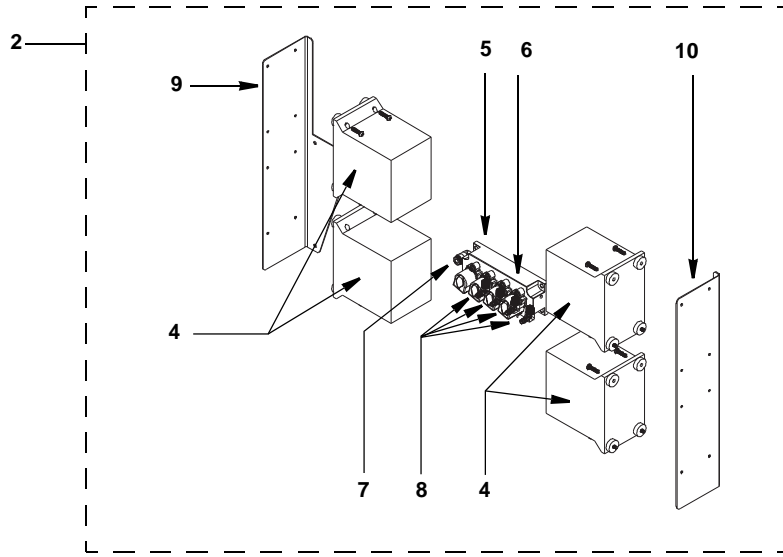
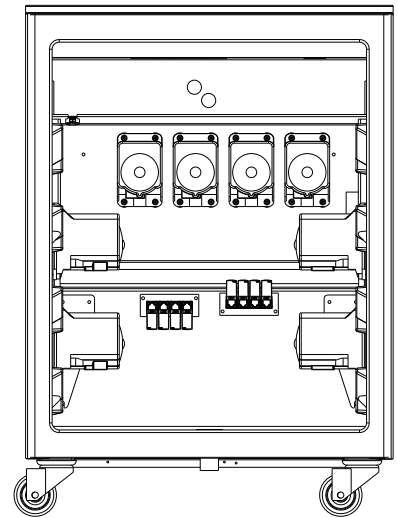
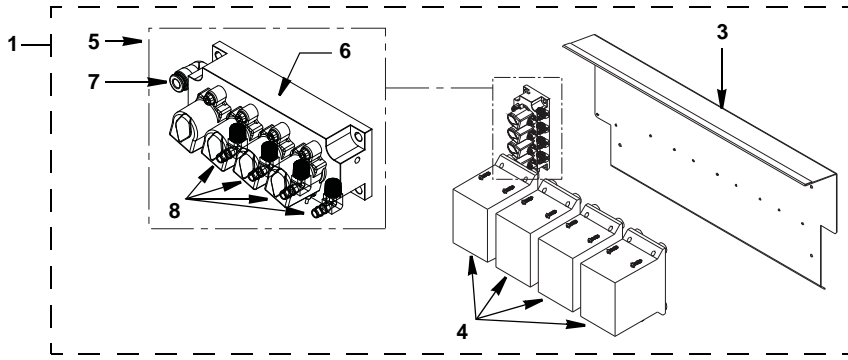
# ICE HOPPER ASSEMBLY



## DESCRIPTION

DESCRIPTION	PART NO.
1 Ice Bin Lid . . . . .	VMP00133
2 PBS Ice Shelf . . . . .	VMP00106
3 Paddle Nut . . . . .	VMP00107
4 Safety Interlock Push Rod . . . . .	VMP00134
5 Rectifier Harness Blender/Shaver Assembly Safety Switch . . . . .	VMP00113
<b>6 Shaver Blade Kit</b>	
a. Models MS-8-1H & MS-8-AH, Kit with Shims . . . . .	VMP00125
b. MS-8-BH, MS-8-CH & MS-8-EH, Shims . . . . .	VMP00149
c. MS-8-BH, MS-8-CH & MS-8-EH, Double Blade Assembly . . . . .	VMP00150
7 Power Cord . . . . .	VMP00121
8 PBS/ AC Blender/Shaver Motor Assembly . . . . .	VMP00148
9 Container Base Plate . . . . .	VMP00153
10 Blender Drive Belt . . . . .	VMP00124
11 PBS Container Pad . . . . .	VMP00130
12 Ice Hopper Blender/Shaver Control Board Assembly with Cables . . . . .	VMP00122
13 Scale Beam . . . . .	VMP00114
<b>14 Blending Container with Blades (Not shown)</b>	
a. Model MS-8-1H . . . . .	3239676
b. Model MS-8-AH . . . . .	3237674
c. Models MS-8-BH, MS-8-CH & MS-8-EH . . . . .	3239670
<b>15 Blending Container Only (Not shown)</b>	
a. Model MS-8-1H . . . . .	VMP00139
b. Models MS-8-AH, MS-8-BH, MS-8-CH & MS-8-EH . . . . .	VMP00151
16 Beam to VM Cable (Not shown) . . . . .	VMP00138
17 Chain Acct Repair Kit (Not shown) . . . . .	VMP00135
<b>18 Circuit Breaker (Not shown)</b>	
a. Model MS-8-1H . . . . .	VMP00112
b. Models MS-8-AH, MS-8-BH, MS-8-CH & MS-8-EH . . . . .	VMP00145
19 Container Wrench (included in VMP00135) (Not shown) . . . . .	VMP00131
20 Shaver Drive Belt (Not shown) . . . . .	VMP00123
21 Drive Socket Assembly, Motor Shaft Insert (Not shown) . . . . .	VMP00167
22 Ice Bin Gasket (Not shown) . . . . .	VMP00158
23 Ice Bin Grommet, 3 pack (Not shown) . . . . .	VMP00109
24 BIM VM Bowl Insulation (Not shown) . . . . .	3437393
25 PBS Centering Tool (Not shown) . . . . .	VMP00136
26 Shaver, Blender, Vita-Mix, Inserted Socket (Not shown) . . . . .	3239694
27 Shaver, Blender, Vita-Mix, Inserted Socket, 50HZ (Not shown) . . . . .	3239695

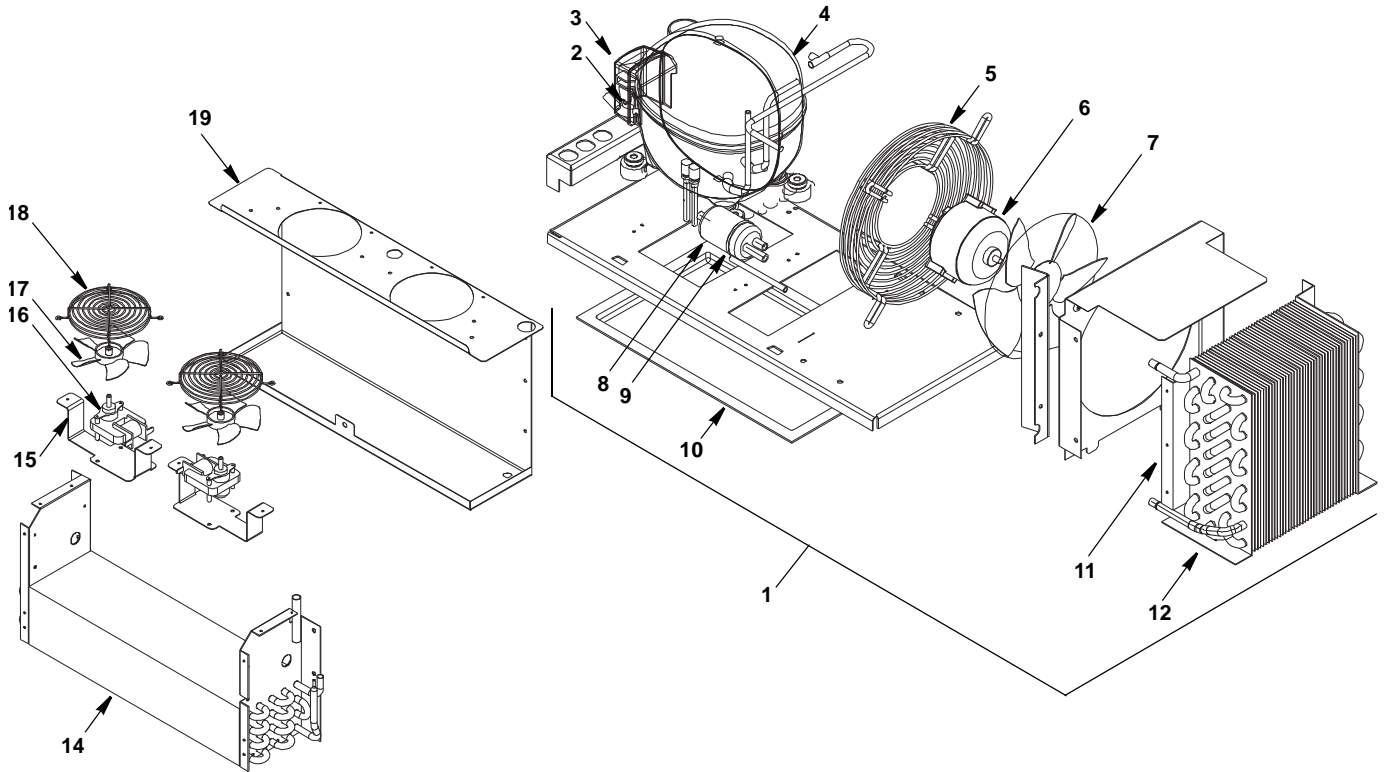
## UPPER & LOWER VALVE / PUMP ASSEMBLIES



### DESCRIPTION

	<b>DESCRIPTION</b>	<b>PART NO.</b>
1	Complete Top Valve & Pump Assembly .....	000-CDS-0005
2	Complete Lower Valve & Pump Assembly .....	000-CDS-0006
3	Cover, Evaporator .....	380-CD5-0003
4	<b>Pump Assembly Kit</b> .....	<b>000-BIC-001K</b>
	a. Pump, Flojet .....	3239675
	b. Pump Restrictor, White .....	3239680
5	Solenoid Valve Assembly .....	000-CE1-0000
6	4 Position Solenoid, Large Exhaust. ....	3239691
7	Fitting, 1/4" x 1/8", 90, MPT TO P-T-C. ....	3547767
8	Fitting, 1/8" NPT x 1/4" Barb, 90D .....	3237379
9	Fixture, Pump, Lower, Left-Hand .....	380-CDW-0005
10	Fixture, Pump, Right-Hand, Lower .....	380-CDW-0006
	<b>Miscellaneous – Brackets, Screws, etc.</b>	
11	Clamp, Oetiker, Air (Not shown) .....	9324095
12	Screw, #8-32 x 3/4", S-P-PN-F (Not shown) .....	9324104
13	CO <sub>2</sub> Tubing, 3/8" OD x 1/4" ID, Clear Blue (Not shown) .....	1702022

# LOWER CABINET CONDENSING UNIT & EVAPORATOR COIL



DESCRIPTION	PART NO.
<b>Condensing Unit</b>	
1 <b>Condensing Unit Assembly</b>	
a. R-404A 115V/60hz (Models MS-8-1H) . . . . .	000-BN5-0004
b. R-404A 220V/50hz (Models MS-8-AH & MS-8-EH) . . . . .	000-BN5-0006
c. R-404A 220V/60hz (Models MS-8-MS-8-BH) . . . . .	000-BN5-000A
d. R-290 220V/50hz (Models MS-8-MS-8-CH) . . . . .	000-BN5-0047
2 <b>Compressor Relay</b>	
a. 115V - Danfoss TF4CLX (Models MS-8-1H) . . . . .	3516446
b. 220V - Danfoss N225 (Models MS-8-AH & MS-8-EH) . . . . .	3516452
3 <b>Danfoss Small Cover Comp</b>	
a. (1H) . . . . .	3516443
b. (AH & EH) . . . . .	3516460
4 <b>Start Capacitor, 280MFD</b>	
a. 115V - 280MFD (Models MS-8-1H) . . . . .	2194787
b. 220V - Danfoss (Models MS-8-AH & MS-8-EH) . . . . .	3516451
5 7.25" Fan Guard . . . . .	2160020
6 <b>Fan Motor</b>	
a. 9W, 115V, CW (Models MS-8-1H) . . . . .	2162717
b. 9W, 230V (Models MS-8-AH, MS-8-BH, MS-8-CH & MS-8-EH) . . . . .	2162720
7 7.25" Fan Blade . . . . .	3516457
8 <b>Compressor</b>	
a. R-404A 115/60 - 1/4HP, TF4CLX (Models MS-8-1H) . . . . .	3526997
b. R-404A 220/50 - 1/5HP, TFS4 (Models MS-8-AH & MS-8-EH) . . . . .	3526994
c. R-404A 208-230/60 - 1/5HP, AEA0415ZXD (Models MS-8-BH) . . . . .	3527071
d. R-290 220-240/50 - 1/5HP, TL4CN (Models MS-8-CH) . . . . .	3526988
9 .25" Inlet Filter Dryer (2x) . . . . .	3516322
10 Small Condensate Pan . . . . .	039-231-0032
11 Shroud 1/5 HP Condensing Coil . . . . .	026-C58-0001
12 Condensing Coil . . . . .	3517381
13 <b>Cap Tubing</b> (Not shown)	
a. R-404A - 0.044" ID x 144" Long (Models MS-8-1H, MS-8-AH, MS-8-BH & MS-8-EH) . . . . .	0074057
b. R-290 - 0.036" ID x 0.109 OD, x 96" Long (Models MS-8-CH) . . . . .	413-252-005W
<b>Evaporator Coil</b>	
14 Evaporator Coil . . . . .	3517382
15 Evaporator Fan Bracket . . . . .	372-A9Y-0002
16 <b>Fan Motor</b>	
a. Models MS-8-1H . . . . .	2162691
b. Models MS-8-AH, BH, CH & EH . . . . .	020003848
17 4.5" CW Fan Blade . . . . .	3517383
18 4.7" Fan Guard . . . . .	2160022
19 Coil Evaporator Body . . . . .	019-CD1-0000

## LABELS & MISCELLANEOUS PARTS

### DESCRIPTION

#### Labels

1	CO <sub>2</sub> Label . . . . .	9294281
2	<b>Parts/Service Multiplex Label</b>	
	a. Models MS-8-1H, MS-8-BH, MS-8-CH & MS-8-EH . . . . .	9291329
	b. Models MS-8-AH . . . . .	9291367
3	<b>Blank 4 Smoothie Label</b>	
	a. Models MS-8-1H, MS-8-BH, MS-8-CH & MS-8-EH . . . . .	9291324
	b. Models MS-8-AH . . . . .	9291361
4	<b>Blank 7 Smoothie Label</b>	
	a. Models MS-8-1H, MS-8-BH, MS-8-CH & MS-8-EH . . . . .	9291327
	b. Models MS-8-AH . . . . .	9291362
5	<b>Blank 8 Smoothie Label</b>	
	a. Models MS-8-1H, MS-8-BH, MS-8-CH & MS-8-EH . . . . .	9291328
	b. Models MS-8-AH . . . . .	9291363
6	Caramel Smoothie Label . . . . .	9291326
7	Lemonade 8 Smoothie Label . . . . .	9291354
8	Mango Pineapple 3 Smoothie Label . . . . .	9291350
9	Mocha Smoothie Label . . . . .	9291325
10	<b>Strawberry Smoothie Label</b>	
	a. 1Models MS-8-H, MS-8-BH, MS-8-CH & MS-8-EH . . . . .	9291321
	b. Models MS-8-AH . . . . .	9291358
11	<b>Wildberry Smoothie Label</b>	
	a. Models MS-8-1H, MS-8-BH, MS-8-CH & MS-8-EH . . . . .	9291322
	b. Models MS-8-AH . . . . .	9291359
12	<b>Yogurt 3 Smoothie Label</b>	
	a. Models MS-8-1H, MS-8-BH, MS-8-CH & MS-8-EH . . . . .	9291323
	b. Models MS-8-AH . . . . .	9291360
13	Yogurt 4 Smoothie Label . . . . .	9291353
14	Chocolate 5 Smoothie Label - English (Models MS-8-AH Only) . . . . .	9291339
15	Coffee 6 Smoothie Label - English (Models MS-8-AH Only) . . . . .	9291340
16	<b>Stickers Kit</b>	
	a. Models MS-8-1H . . . . .	000-BIC-0031
	b. Models MS-8-AH . . . . .	000-BIC-0030
	c. Models MS-8-BH, MS-8-CH & MS-8-EH . . . . .	000-BIC-0016

#### Miscellaneous Parts

17	Double Valve Rinse Kit . . . . .	000-BIC-001M
18	Cleaning Squeeze Bottle . . . . .	1706138
19	Cleaning Kit . . . . .	000-BIC-0008
20	Cleaning Pitcher . . . . .	3239631
21	Scale Overflow Tray Assembly . . . . .	1708546
22	Touch Screen Overlay . . . . .	1708541
23	Touch Screen Kit Overlay . . . . .	000-BIC-000C
24	Scale & Calibration Tool . . . . .	3235029
25	Clear PVC Tubing, 1/2" ID x 5/8" OD x 2' Long . . . . .	1702019