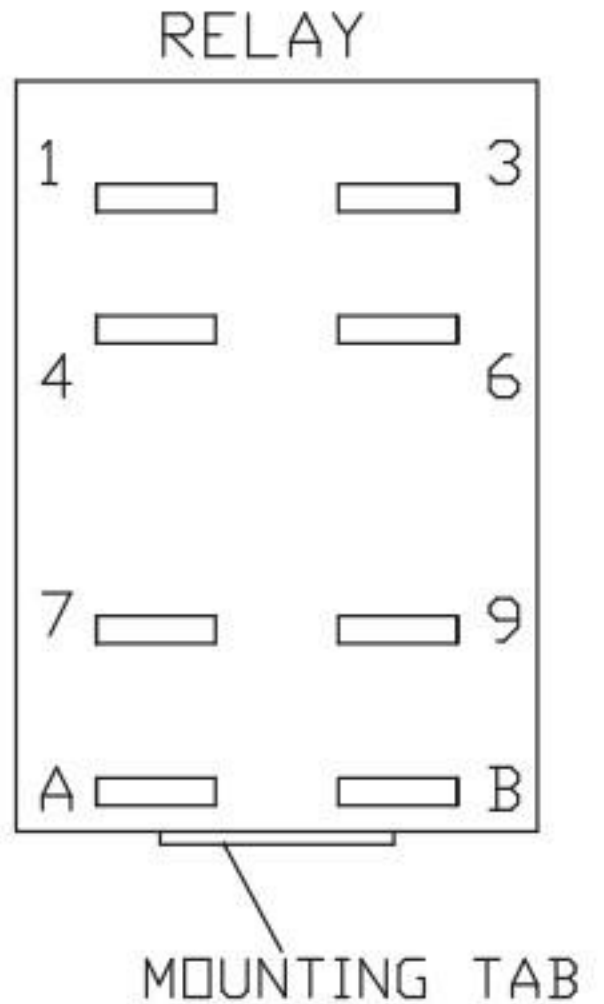
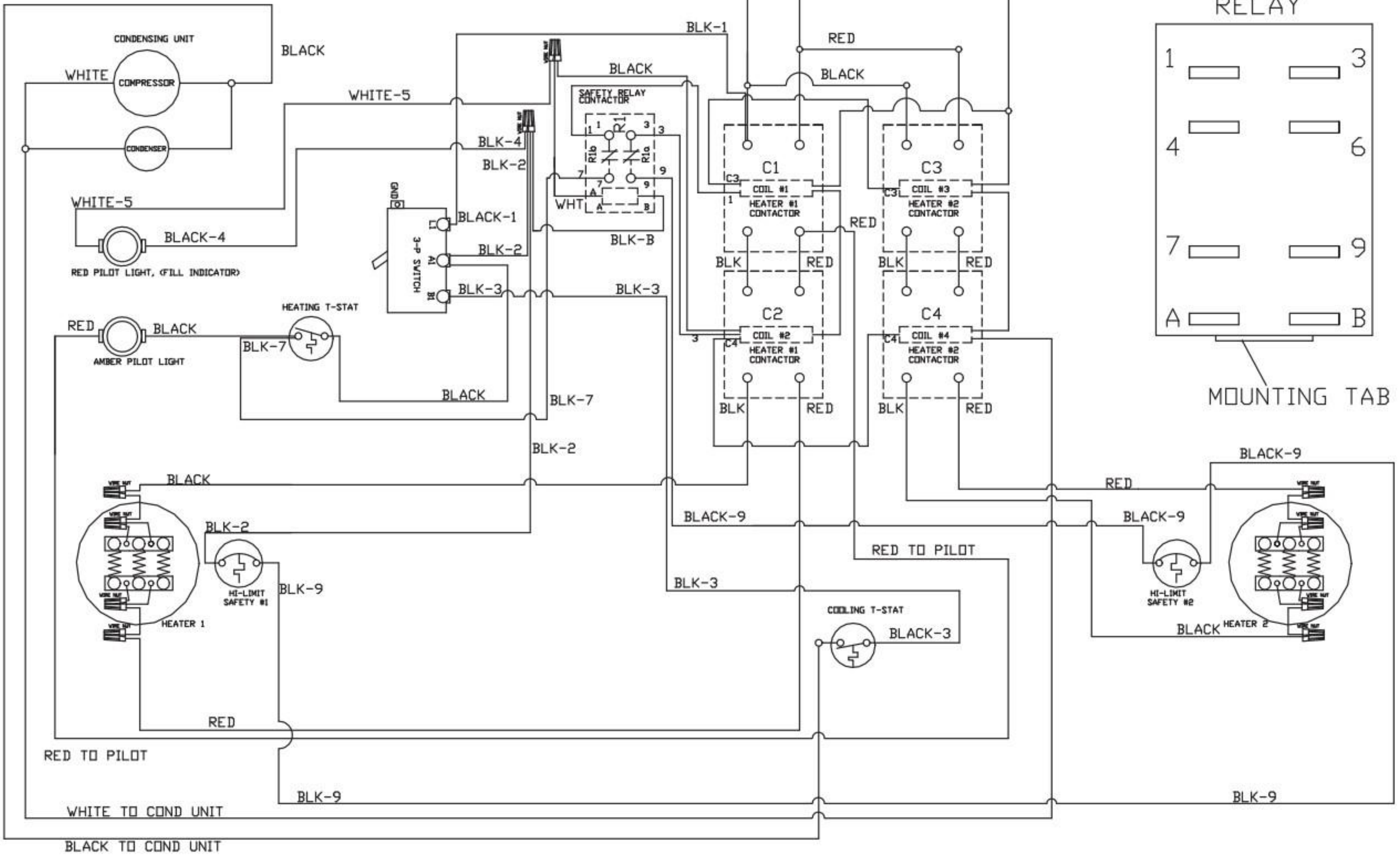
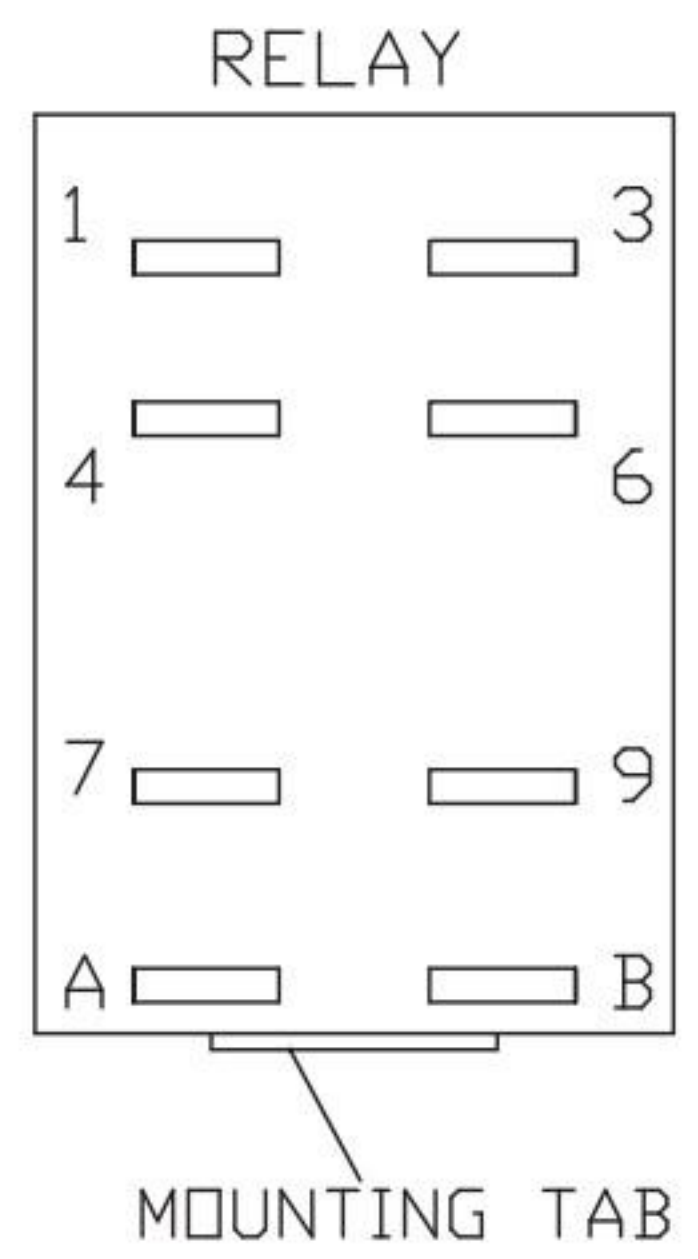
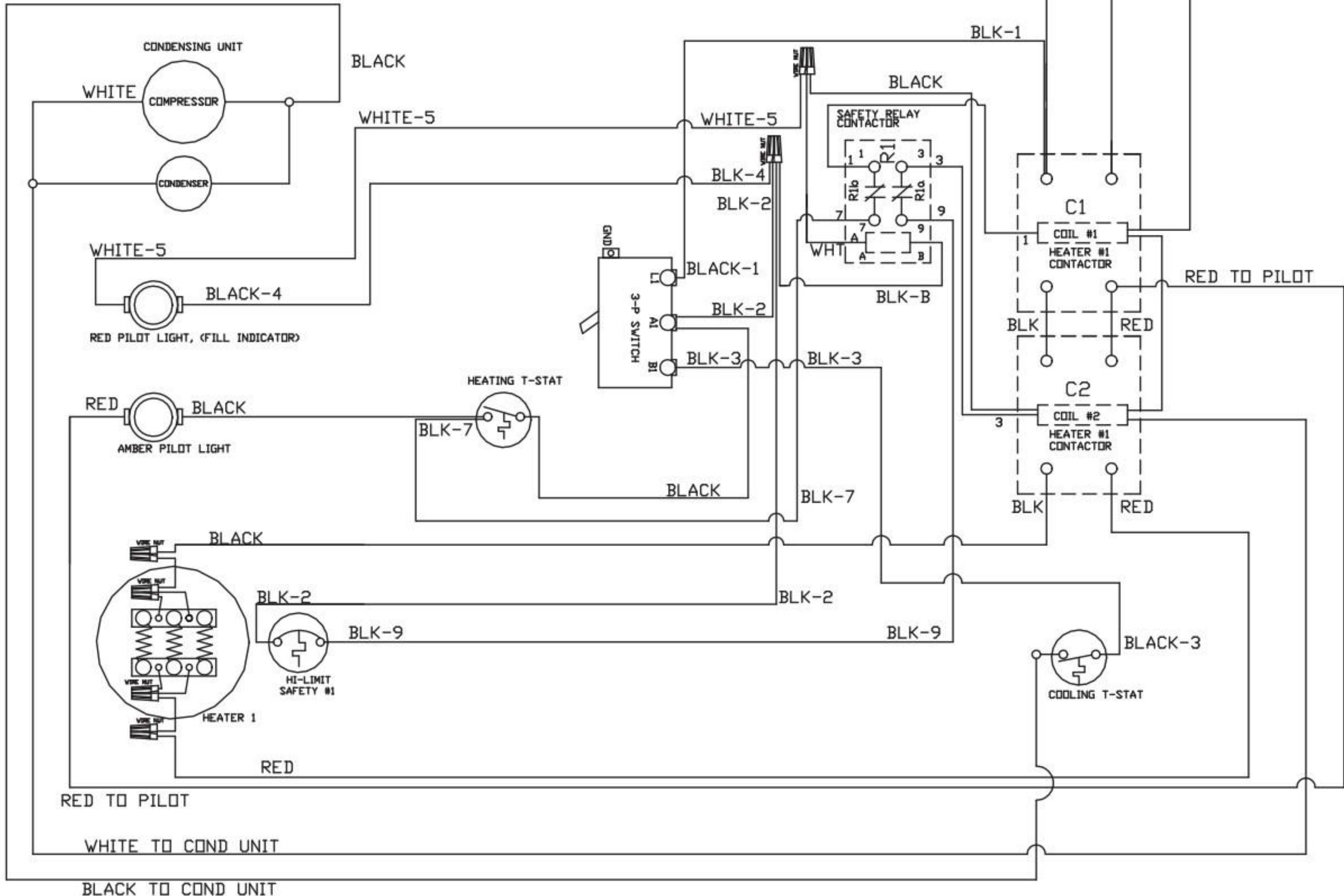


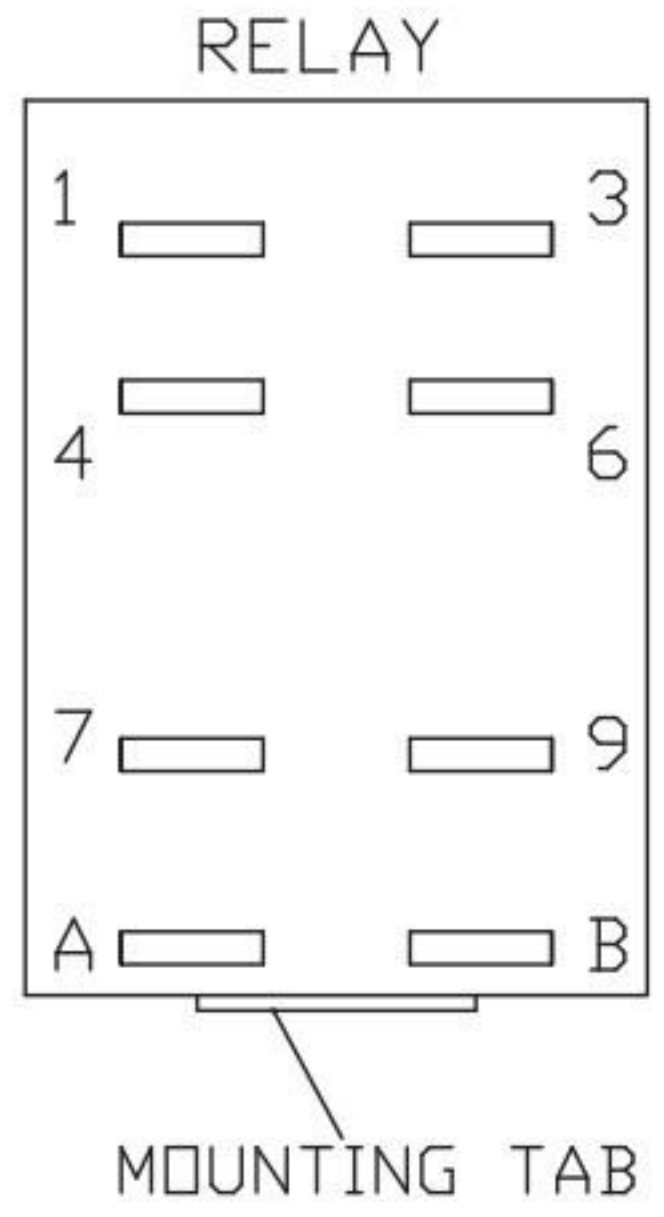
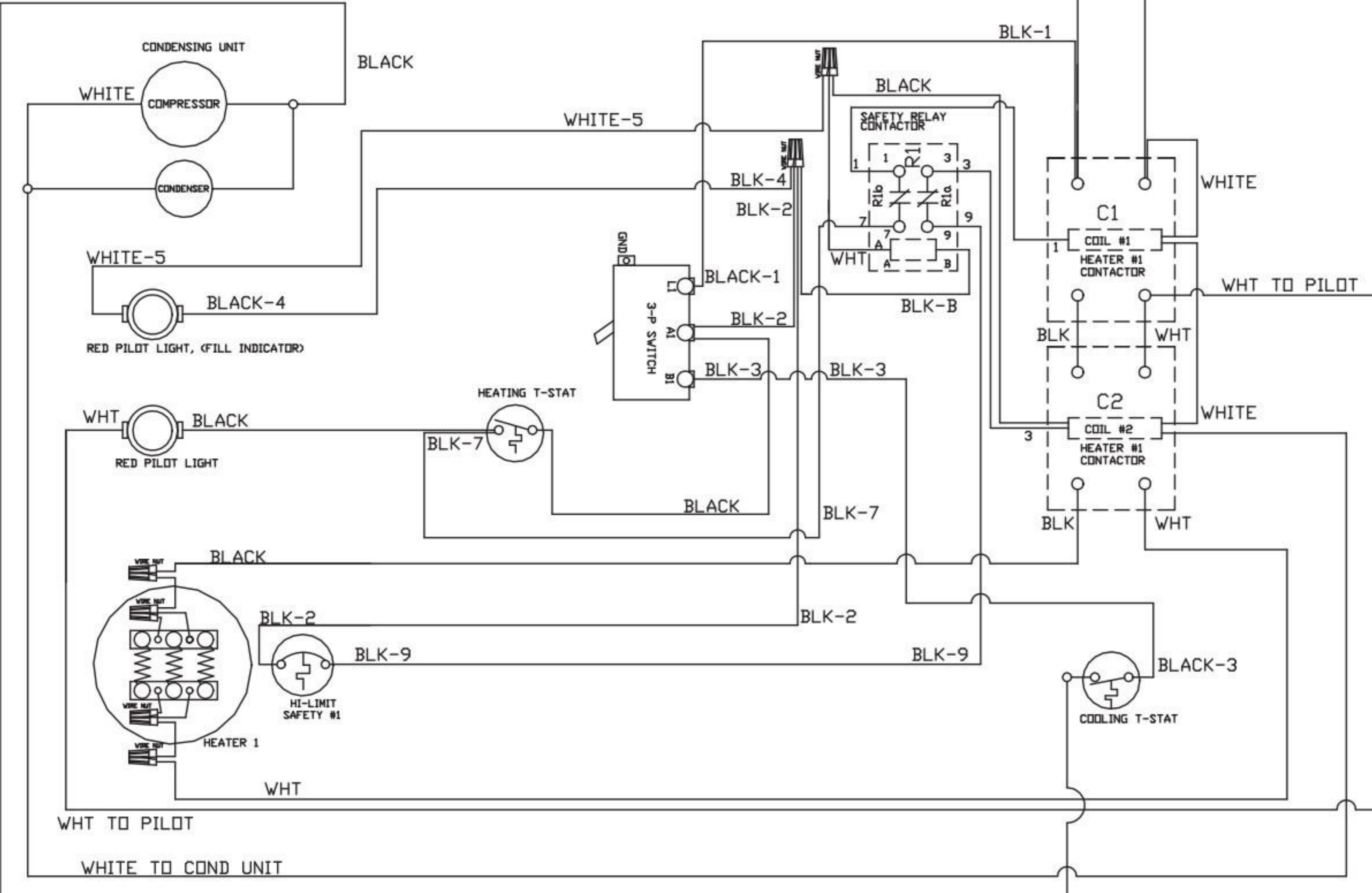
120/208V-1PH-(2) 5KW HEATER OR
 120/240V-1PH-(2) 5KW HEATER



120/208V-1PH-5KW HEATER OR
 120/240V-1PH-5KW HEATER



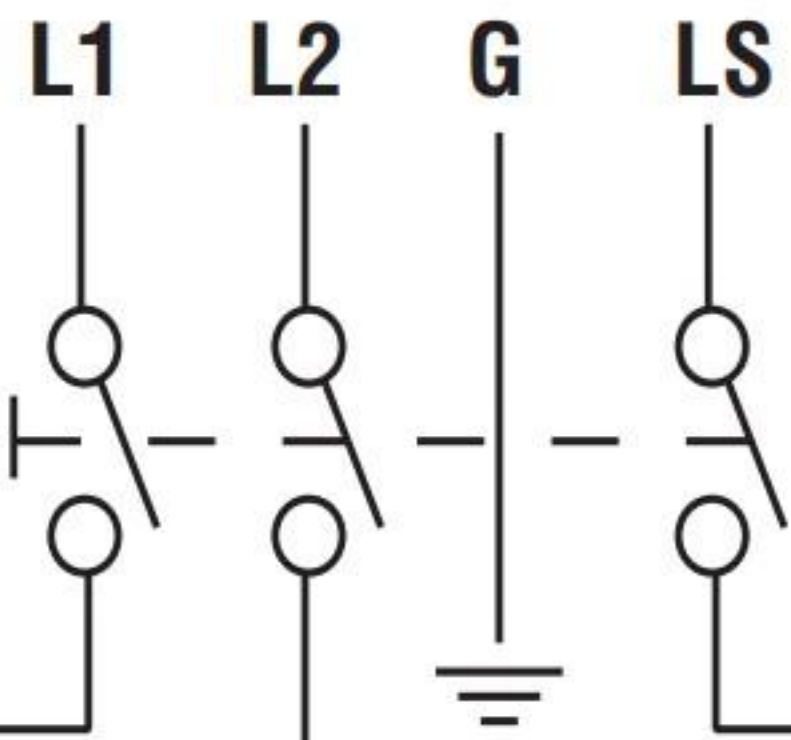
120V-1PH-3KW HEATER



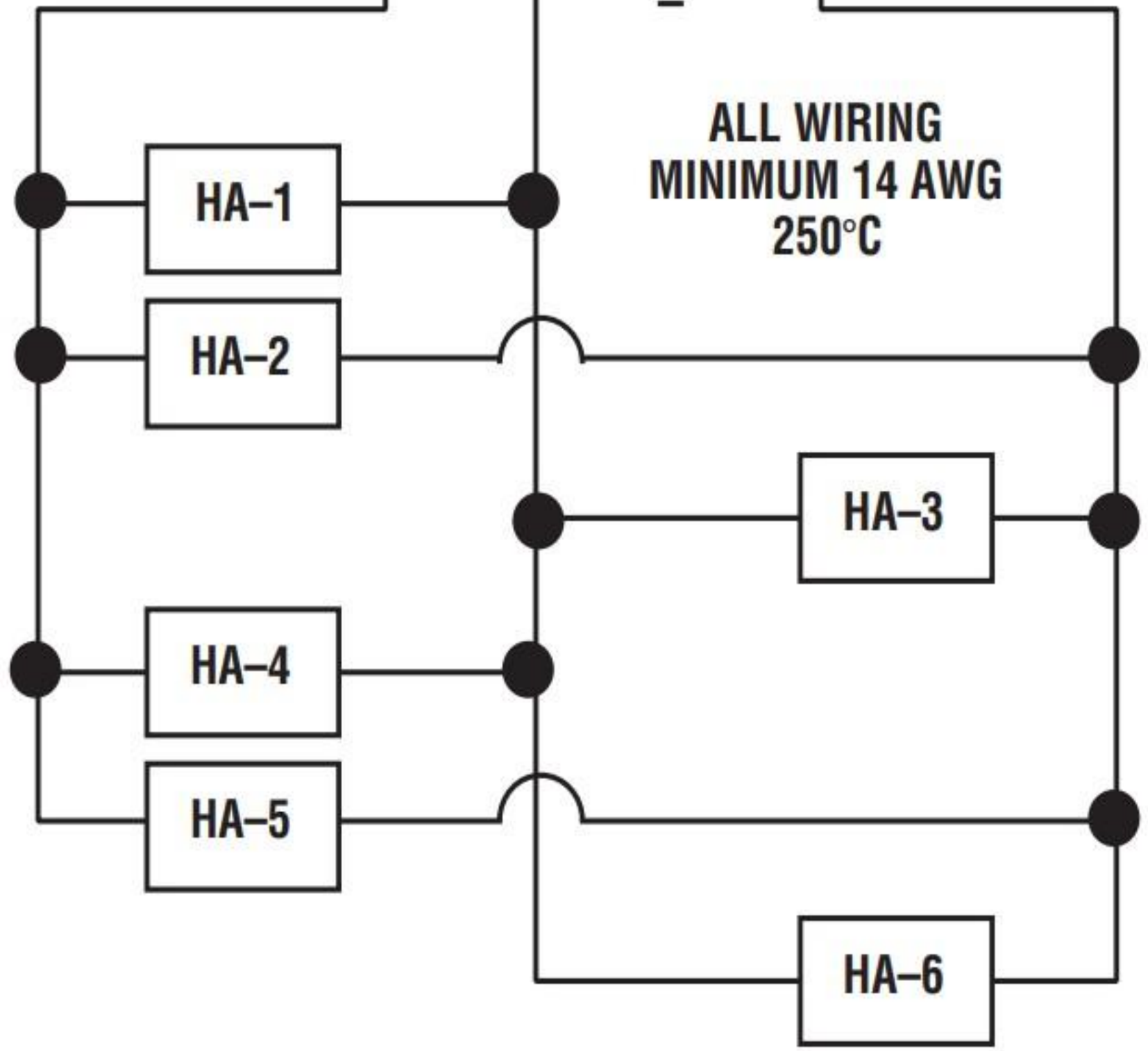
WHITE TO COND UNIT

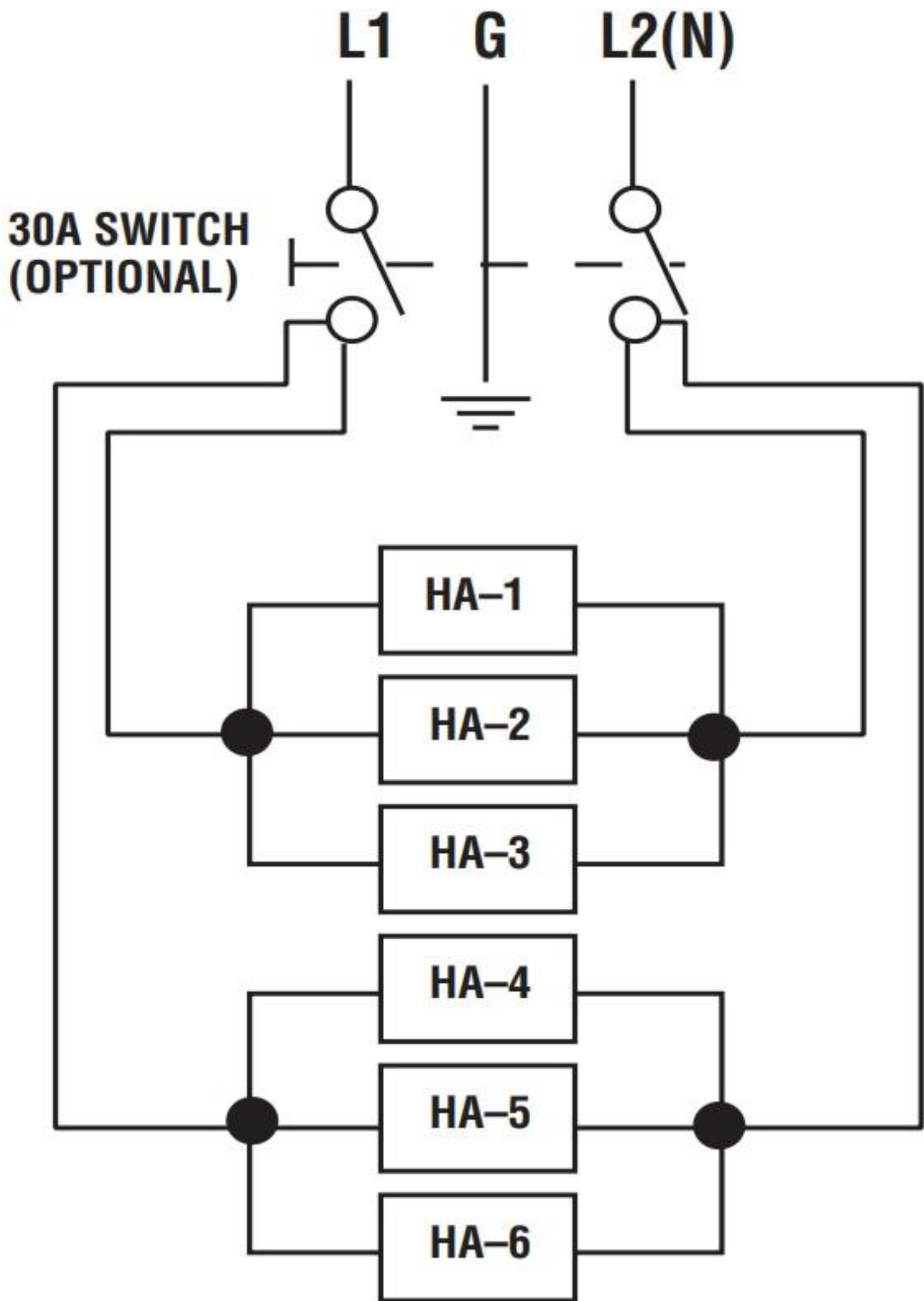
BLACK TO COND UNIT

**20A, 3-POLE SWITCH
(OPTIONAL)**

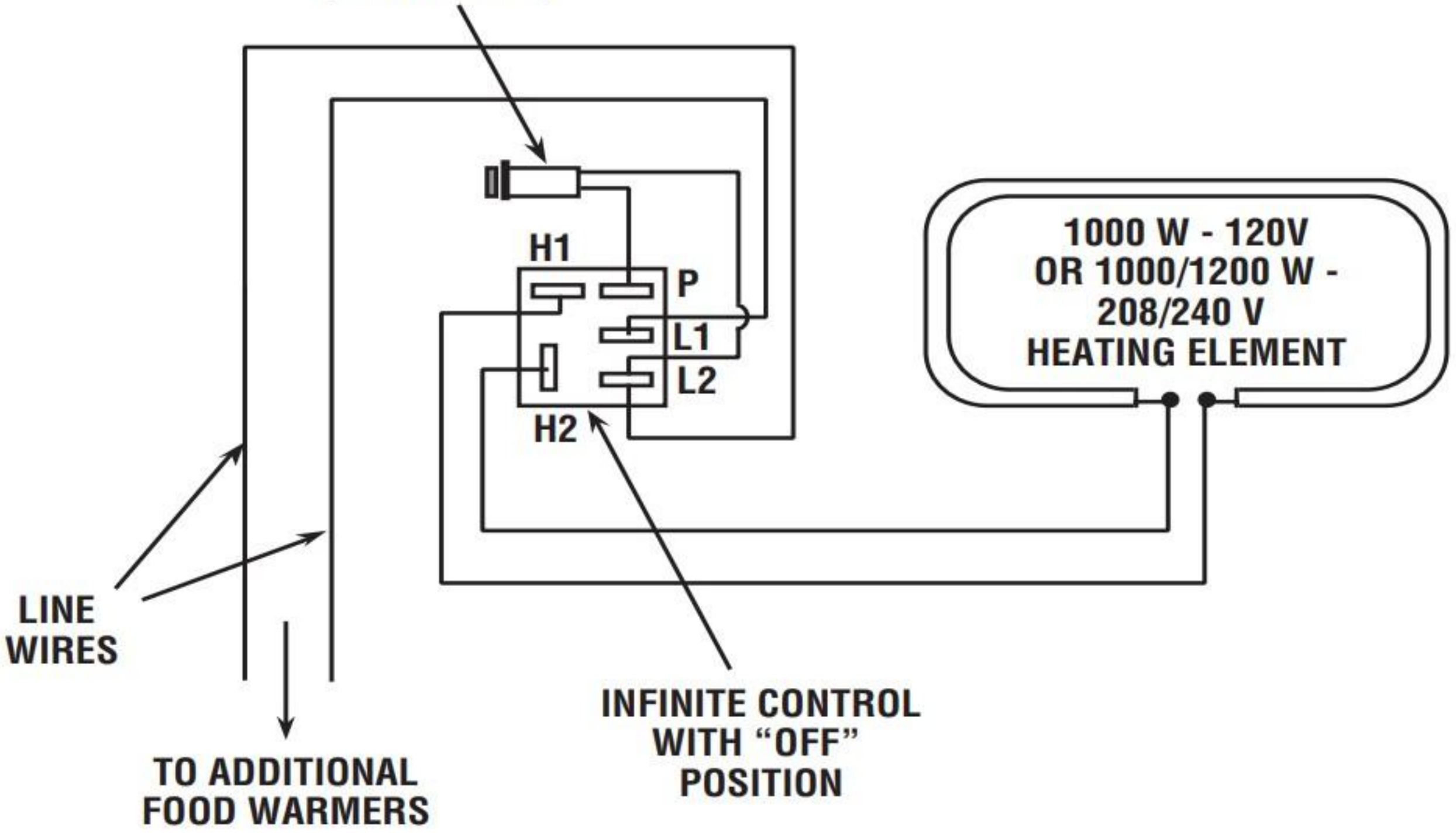


**ALL WIRING
MINIMUM 14 AWG
250°C**





**PILOT LIGHT
(FURNISHED)**



**LINE
WIRES**

**TO ADDITIONAL
FOOD WARMERS**

**INFINITE CONTROL
WITH "OFF"
POSITION**

**1000 W - 120V
OR 1000/1200 W -
208/240 V
HEATING ELEMENT**