

OPERATING INSTRUCTIONS

Boxed Pizza Holding Bin Model No. DHB4PT-25



TABLE OF CONTENTS	PAGE
Installation	2
Operating	2
Cleaning	3
Exploded View	4
Parts List.....	4
Troubleshooting Guide	5
Wiring Diagram	6

LIMITED WARRANTY

This product is warranted to be free from defects in material and/or workmanship for a period of two (2) years from date of original installation (with the exception of racks, pans, and covers), not to exceed 30 months from date of shipment from our factory. P.C. Boards and Heater Assemblies are warranted for three (3) years from date of installation, not to exceed 42 months from date of shipment.

Any component which proves to be faulty in material and/or workmanship will be replaced or repaired (at the option of Prince Castle, Inc.) without cost to the customer for parts or labor. This warranty covers on location service (i.e. trip charges and/or mileage). Travel mileage is limited to 100 miles (200 kilometers) round trip (one trip warranty) from an authorized service agency or its sub-service agency.

This warranty is subject to the following exceptions/conditions:

- ' Use of any non-genuine Prince Castle parts voids this warranty.
- ' All labor shall be performed during regular work hours. Overtime premium will be charged to the buyer.
- ' Damage caused by carelessness, neglect, and/or abuse (e.g., dropping, tampering or altering parts, equipment damaged in shipment, by fire, flood or an act of God) is not covered under this warranty.

ELECTRICAL SPECIFICATION

Model	Volts	Hz	Watts	Amps
DHB4PT-25	120	60	1700	14.2
DHB4PT-25J	200	50/60	1700	8.5
DHB4PT-25CE	220-240	50	1850	7.7
DHB4PT-25GB	220-240	50	1850	7.7

INSTALLATION

1. After you have removed the unit from the carton, inspect the unit for signs of damage. If there is damage to the unit:
 - Notify carrier within 24 hours after delivery.
 - Save carton and packing materials for inspection purposes.
 - Contact the Prince Castle Customer Sales Department at 1630-462-8800 to arrange for a replacement to be sent.
1. Place the bin on a counter and seal its base to the counter with food-approved sealant.
2. Insert the power cord into a proper voltage receptacle. Note: This should be a dedicated outlet. No other equipment should be operating on this line (i.e. fryers, refrigerators, etc.)
3. Turn the power switch on. Allow 30 minutes for warm-up.

THE TEMPERATURE CONTROL PANEL

1. Indicators and Displays

Within the four character digital display there are LED indicators. The four character digital display shows the numerical value of the temperature, and the LED indicators display the following:

- The LED indicator next to the **UPR HTR** (for the **UPPER HEATER**) is on when the temperature being displayed is for the upper heater.
- The LED indicator next to the **PROG** is on when in the Program Mode.
- The LED indicator next to the **LWR HTR** for the **LOWER HEATER**) is on when the temperature being displayed is for the lower heater.
- The LED indicator next to the **HEAT** is on when power is applied to the selected heater.

2. Control Panel buttons and LED indicators

- **SET POINT:** The set-point temperature is displayed for the selected heaters when this button is pressed during the operating mode.

The SET POINT LED indicator will be on when the Set-point mode is selected. Press and hold the Prince Castle button then press and hold the SET-POINT button to program the temperature for the selected heater.

- **ACTUAL TEMP:** The actual temperature is displayed for the selected heaters when this button is pressed during the operating mode and the ACTUAL LED indicator will be on.
- **UP ARROW** and **DOWN ARROW:** When pressed in the operating mode, will scroll through the upper and lower heaters for all four cavities to display either the actual or set point temperature. The LED next to the **UPPER SHELF** or **LOWER SHELF** will be on to indicate which heater is being selected. The letters **A**, **b**, **C**, and **d** are displayed to show the selected cavity location for the upper and lower heaters.

When reading the digital display from left-to-right, the following information is displayed: The **Upper** or **Lower** heater for the **selected cavity (A, b, C, or d)** if power is being applied to the **heater**, and if the display temperature is the **ACTUAL** or **SET-POINT** temperature.

PROGRAMMING

The temperature adjustment range for a heater zone is: OFF, 150°F to 275°F. The recommended starting setpoint temperature for all four heaters is 180°F.

Use the following procedure to change a setpoint temperature.

1. Press the **UP** or **DOWN** arrow button until the heater to be changed is selected. For Top Cavity, the LED next to the **UPR CAV** is on, and for lower cavity, the LED next to the **LWR CAV** is on. After selecting the cavity, the left most character in the temperature display shows the heater. **U** is the **Upper** heater and **L** is the **Lower** heater.



2. To change the temperature of the selected zone, press and hold the **SET POINT** button and press the **PRINCE CASTLE** button for 6 seconds. The LED indicator next to **PROG** will light to indicate the Program Mode is active.



3. Use the **UP** and **DOWN** arrow buttons to increase or decrease the setpoint temperature.



4. Press the **ACTUAL TEMP** button to end the Program Mode and store the setpoint temperature Press value (the LED next to **PROG** will turn off). The controller will regulate to the new setpoint temperature.
5. Repeat Steps 1-4 for the rest of the heaters.

PROGRAMMING THE TIMERS

There are two activities that take place when a timer button is pressed. The first is the count up timer is started, and the second is the display prompts the operator to enter the ticket number. If more than two buttons are active, the display with the oldest time (the ticket number) will be flashing. When the customer presents the ticket, the operator presses the timer button. The display changes to show the total time that the pizza was in the cavity. After recording the time, the operator presses the timer button to reset the timer, the display changes to —:—. The following describes the sequence to entering the ticket number 73 into the timer.

1. Press the timer button, the display changes from —:— to —5—. The character **5** will be flashing. Press the up arrow button two time. The display will change to -7—.
2. Press the Prince Castle logo button. The display now changes to -75-, and the character **5** is flashing. Press the down arrow twice to change the flashing character to 3. Press the Prince Castle logo button to complete the ticket number entry sequence. The display will show -73-.

OPERATION

The temperature value is set to display in Fahrenheit. To change to Celsius, turn the power switches off. Press and hold the **UP** arrow then turn the power switch on and after two seconds, release the **UP** arrow button. To change back to Fahrenheit, turn the power switch to the off position, press and hold the **DOWN** arrow and turn the power switch to the on position. After two seconds, release the **DOWN** arrow button.

To view the actual heater temperature, press the **ACTUAL TEMP** button. The LED indicator next to the **ACTIVE TEMP** button will light. Press the **UP** or **DOWN** arrow button to select the heater.

CLEANING



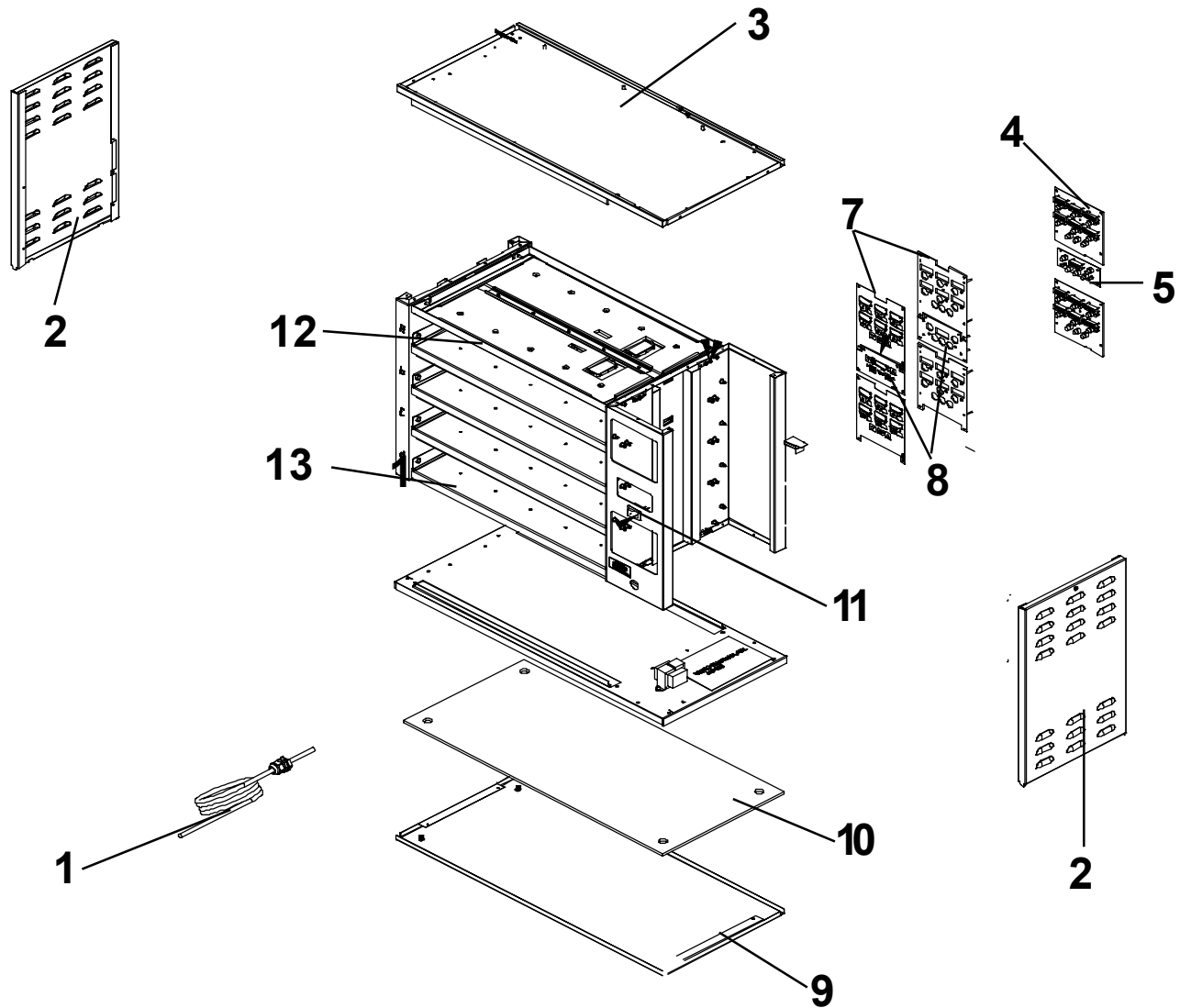
Caution: This bin is not watertight. Do not clean with Water Jet/Jet Spray. Do not immerse the bin with water.



Caution: Before unplugging the power cord, make sure the power switch is in the OFF position.

1. Unplug the power cord from the outlet.
2. Allow the bin to cool down (approximately 25 minutes).
3. Wipe down surface with a damp cloth. Do not use a green Scotch Bright pad, unapproved cleaner, ice or water.

EXPLODED VIEW



PARTS LIST

ITEM	PART	DESCRIPTION
1	72-207S	Power Cord
2	549-033	Cover, Side
3	549-031	Cover, Top
4	740-239S	PCB, Timer
5	545-046S	PCB, Display
6	545-047S (Not Shown)	Main PCB
7	740-028S	Overlay & Face Plate (Timer)
8	545-039S	Overlay & Face Plate (Main)
9	549-016	Cover, Bottom
10	545-076	Insulation
11	78-166S	Lighted Rocker Switch
12	549-006S	Upper Heater Assy.
13	549-002S	Lower Heater Assy.

TROUBLESHOOTING

Problem	Cause	Solution
A. Display flashes "Opn" & "rEL"	Open relay. Circuit inoperable	Replace Power Circuit Board
B. Display flashes "SHr" & "rEL"	Shorted relay. Circuit inoperable. Open heater. Power and Main Circuit Boards.	Replace Power Circuit Board. Test heater resistance.(150.2 Ohms) Replace Heater Verify ribbon cable connection.
C. Display shows "LLL"	Temperature is below 75° F Heater inoperable. Probe inoperable. Relay Inoperable	Normal display during warm up. Test heater resistance.(150.2 Ohms) Check for open thermocouple wires from probe. Replace heater/probe assembly.
D. Display shows "HHH" for an extended period of time and heater surface temperature is hot. Display shows "HHH" for an extended period of time and heater surface temperature is cool.	Temperature is above 300° F (abnormal operation) Probe is inoperable	Diagnostic circuit inoperable. Replace Power Circuit Board. See B above. Check for pinched thermocouple wires from probe. Replace heater/probe assembly.

To reset all times and temperatures to the factory settings, turn unit off, press and hold the *UP* and *DOWN ARROW BUTTONS* at the same time, turn unit back on. A "P" will appear in the display and all times and temperatures will be reset to the original factory settings.



WIRING DIAGRAM

