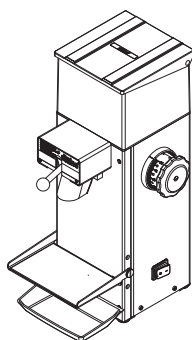


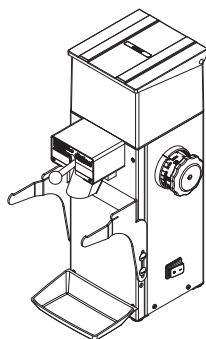
Original instruction manual **ditting**

Commercial coffee grinder 804

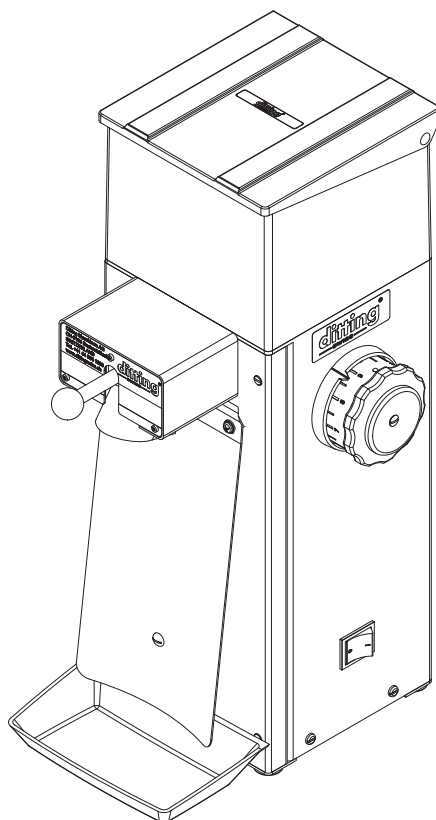
KR 804 | K 804 LAB (SWEET) | K 804 LAB FILTER



K 804 LAB (SWEET)



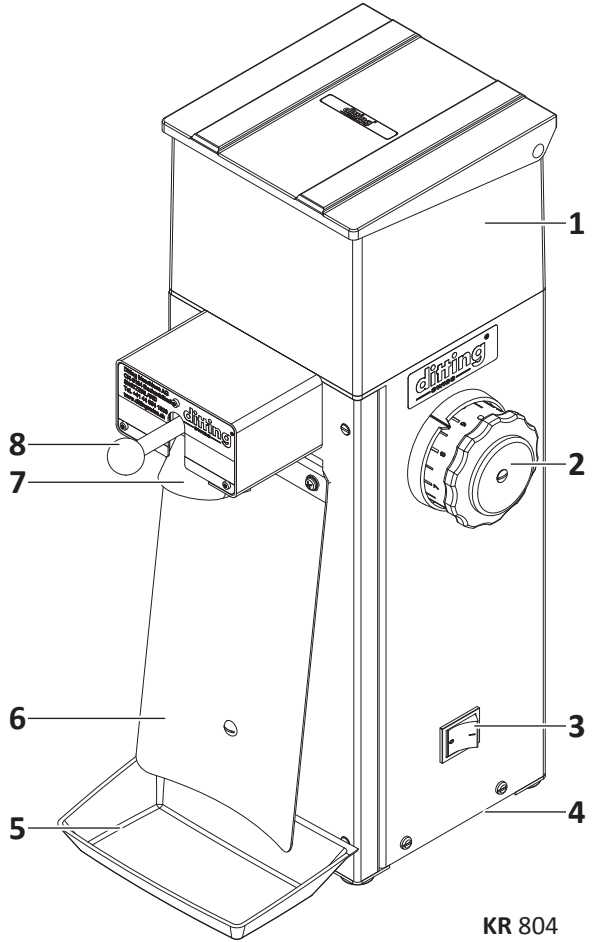
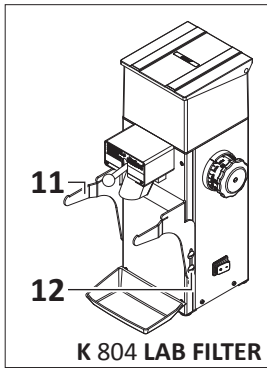
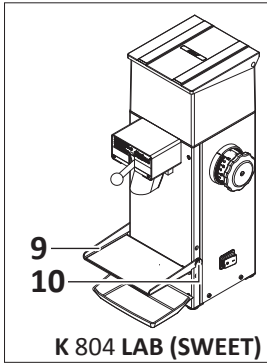
K 804 LAB FILTER

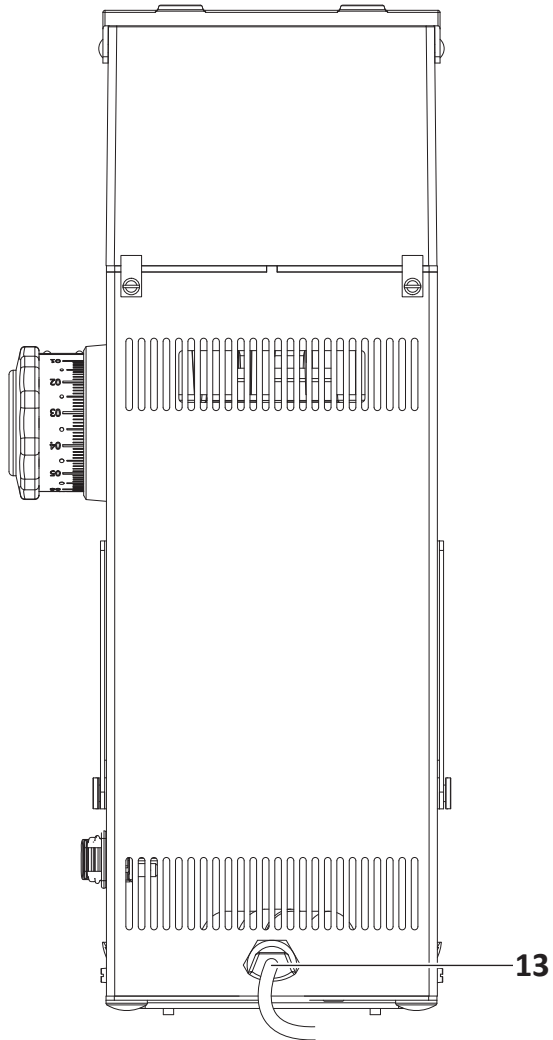


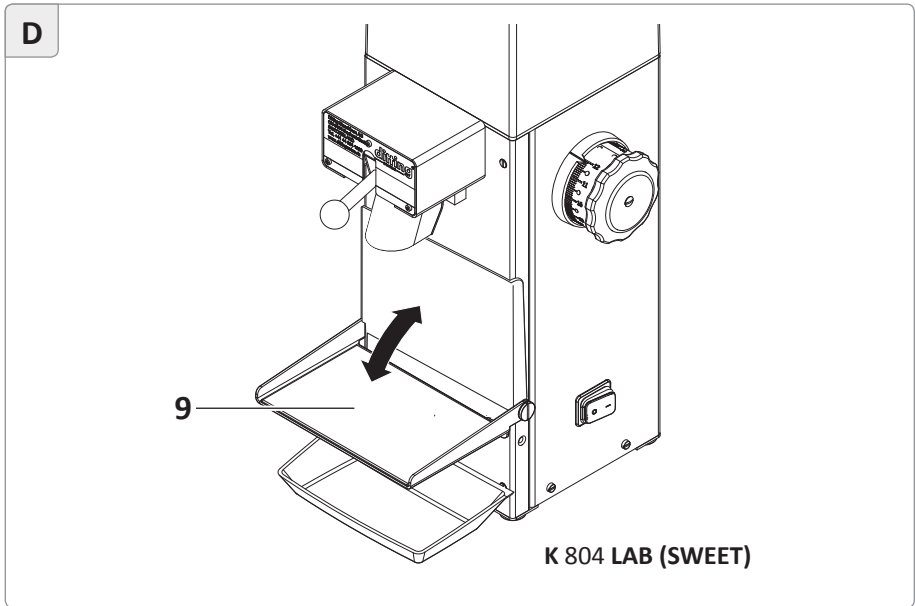
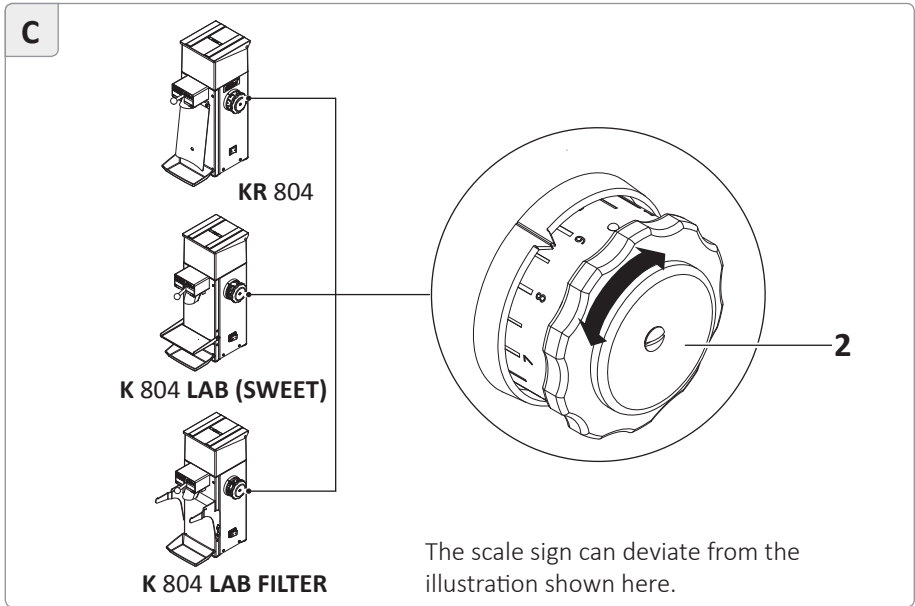
KR 804

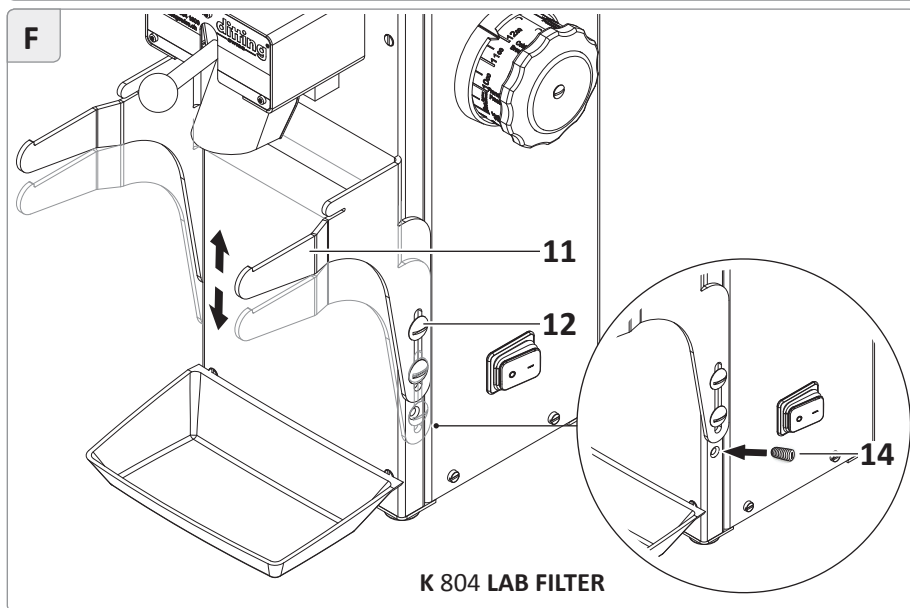
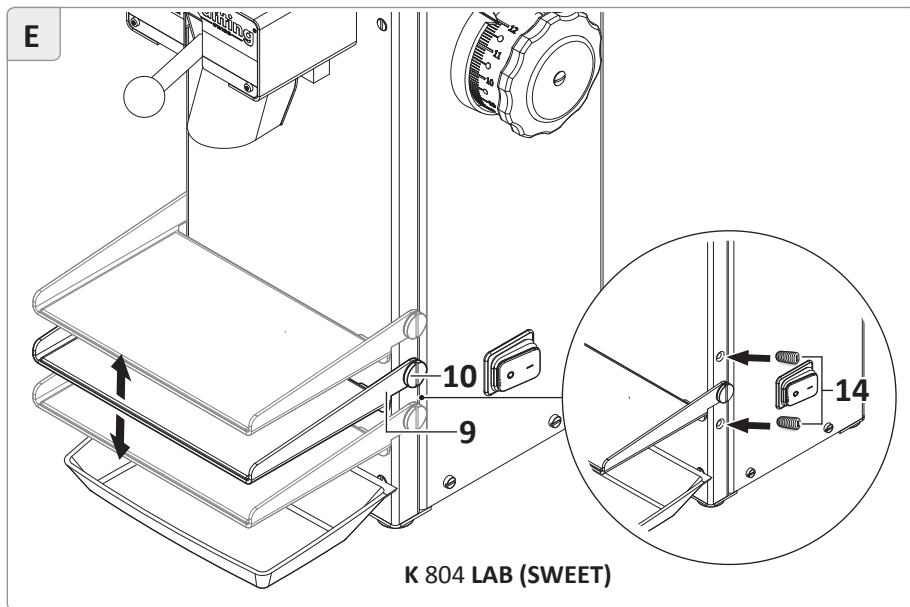
Overview

A



B





804 Commercial coffee grinder

Contents

Overview	2	Cleaning.....	16
Scope of delivery	7	Cleaning the grinder	
General information	8	installation surface.....	17
Read operating instructions		Cleaning the casing.....	17
and keep safe	8	Cleaning the bean container	18
Explanation of symbols used	8	Cleaning the grinder	18
Safety.....	10	Troubleshooting	19
Intended use	10	Technical data.....	21
Safety information	10	Disposal	22
Before using.....	13	Disposing of the packaging.....	22
Checking grinder and		Disposing of the grinder	22
scope of delivery.....	13	Maintenance and service ..	22
Setting up the grinder.....	13		
Operation	14		
Connecting the grinder			
and setting the grinding degree ...	14		
Adding coffee beans	15		
Preparing grist container	15		
Starting grinding	16		
Changing coffee variant	16		

Scope of delivery

No.	Name
1	Bean container (incl. lid)
2	Adjusting the degree of grinding
3	On/Off switch
4	Release button (Thermal overcurrent circuit-breaker)
5	Strainer bowl
6	Vibrating tray (only model KR 804)
7	Outlet
8	Scaler
9	Folding table (only models K 804 LAB and K 804 LAB SWEET)
10	Adjusting screws for folding table (only models K 804 LAB and K 804 LAB SWEET)
11	Filter cage retainer (only model K 804 LAB FILTER)
12	Adjusting screws for filter cage retainer (only model K 804 LAB FILTER)
13	Power cable with power plug
13	Grub screw (only models K 804 LAB and K 804 LAB SWEET , 4× and model K 804 LAB FILTER , 2×)

General information

Read operating instructions and keep safe



Before you start using the commercial coffee grinder 804, carefully read through this original instruction manual and the safety information. Only then will you be able to use the commercial coffee grinder safely and without danger.

The original instruction manual is based on the standards and regulations of the European Union. Please also note the guidelines and laws of your specific country if abroad.

For better clarity, the commercial coffee grinder 804 shall be referred to hereinafter simply as “grinder”.

Please keep this original instruction manual safe for later queries. Please also hand this original instruction manual on to later owners and users of the grinder.

Explanation of symbols used

The following symbols and signal words are used in this original instruction manual, on the grinder or on the packaging.

WARNING!



This signal word / symbol indicates a risk with medium risk level, which, if it is not avoided, can lead to death or serious injury.

CAUTION!



This signal word / symbol indicates a risk with a low risk level, which, if it is not avoided, can lead to mild or moderate injury.

INFORMATION!

This signal word warns against possible material damage.



This symbol provides you with important information concerning operation or handling.



Conformity declaration (see chapter “Conformity declaration”): Products marked with this symbol fulfil all applicable community provisions of the European Economic Area.



Products marked with this symbol fulfill the safety requirements of the UL.



Products marked with this symbol meet the required criteria of the NSF (National Sanitation Foundation) regarding cleanliness and hygiene in the food industry.



Products marked with this symbol are only permitted for use in interior spaces.



This symbol brings your attention to danger of electric shock.



This symbol indicates that the grinder conforms to protection class I.

Safety

Intended use

The grinder is only suitable for grinding whole roast coffee beans. Do not use the grinder to grind other products or objects. It is intended for commercial use and may only be serviced by trained personnel. It may, however, be operated by other persons in a place where use is supervised.

Any other use is not considered to comply with intended use and can result in material damage or even personal injury. Do not make any changes to the grinder. The manufacturer or the supplier shall not be held liable for any injury or damage resulting from non-compliance with the safety instructions.

Safety information

WARNING!

Danger of electrocution!

Improper use, incorrect electrical installation or a voltage that is too high can all lead to electrocution.

- Connect the grinder only if the mains voltage of the socket complies with the information indicated on the nameplate.
- Only connect the grinder to a socket with good accessibility, so that you can disconnect it quickly from the power supply in the event of any hazardous incident.
- Do not use the grinder if you notice any visible damages or if the power cable or plug is faulty.
- If the power cable for the grinder is damaged, it must be replaced by the manufacturer or by qualified personnel in order to avoid hazards.
- Connect the grinder only to a power supply with a 16 A-slow back-up fuse. Have the 16 A-slow back-up fuse fitted by a qualified electrician if the power connection at the site of installation of the grinder is not secured in this way.
- Install the grinder only in places where the handling of the grinder can be supervised by trained personnel.
- Do not immerse the grinder or the power cable / power plug in water or any other liquids.

- Do not clean the grinder with a water jet.
 - Never touch the power plug with wet hands.
 - Never unplug the mains plug from the wall socket by pulling on the power cable; always grip the power plug.
 - Never use the power cable as a handle to carry the grinder.
 - Keep the grinder and power cable / power plug away from open fire and hot surfaces.
 - Do not place the power cable in such a way that could create a tripping hazard.
 - Do not bend the power cable and do not place it over sharp edges.
 - Use the grinder in indoor areas only. Never operate the grinder in damp rooms or in the rain.
 - Keep children away from the grinder.
 - Make sure that children do not insert any objects into the grinder.
 - If you are not currently using or cleaning the grinder, or if a disruption occurs, switch the grinder off and remove the power plug from the socket.
 - Do not open the grinder casing; instead leave the repair to experts. In this case please contact a specialist workshop. In the event of independent repairs being carried out, of faulty connection or incorrect operation, all liability and guarantee claims are excluded. In cases of a repair, only parts that comply with the original appliance specifications may be used. This grinder contains electrical and mechanical parts that are essential for protection against potential hazards.
-

 **WARNING!**

Danger for children and persons with reduced physical, sensory and mental abilities (e.g. partially handicapped persons, older persons with limited physical and mental abilities) or a lack of experience and knowledge (e.g. older children).

- This grinder may be used by children older than eight years and by persons with reduced physical, sensory or mental disabilities or a lack of experience and knowledge if they are supervised or instructed on safe use of the grinder and have understood the possible resulting dangers. Children are not permitted to play with the grinder. Cleaning and user maintenance may not be carried out by children without supervision.
- Do not leave the grinder unsupervised when in operation.
- Do not let children play with the packaging film. Children can become entangled and choke while playing.
- Do not let children play with the small parts. They can be life-threatening if swallowed.

 **CAUTION!**

Risk of tipping and injury!

Incorrect handling of the grinder can result in injury.

- Lay the power cable so that nobody can become entangled in it, causing the grinder to fall down.
- Place the grinder on a level and stable surface to prevent it from falling off.

Before using

Checking grinder and scope of delivery

INFORMATION!

Risk of damage!

The grinder can become damaged if you open the packaging carelessly with a sharp knife or other pointed objects.

- Be very careful when opening.

1. Remove the grinder from its packaging.
2. Check if the delivery is complete (see **Fig. A** and **B**).
3. Check if the grinder or any of the individual parts are damaged. If this is the case, do not use the grinder. Contact your supplier (see chapter “Maintenance and service”).

Setting up the grinder

1. Place the grinder on a level and stable surface that does not vibrate to prevent it from falling off.
2. Insert the mains plug (**13**) into a properly installed wall socket.

K 804 LAB (SWEET):

Bring the folding table (**9**) to the desired height using the adjusting screws (**10**) (see **Fig. E**). There are three positions to choose from. To do this, first remove the grub screws (**14**) on both sides at the desired height and place them in the holes that have now become free after setting the table height to close the holes.



Note that the spread of the grist depends on the distance between the outlet and the container:

The smaller the distance, the lower the scattering of the ground coffee.

K 804 LAB FILTER:

Fit the filter cage retainer (**11**) at the required height using the adjusting screws (**12**) (see **Fig. F**).

To do this, first remove the grub screws (**14**) on both sides at the desired height and place them in the holes that have now become free after setting the retainer to close the holes.

Operation

INFORMATION!

Risk of damage!

The operator has no influence on the thermal overcurrent circuit-breaker. If the thermal overcurrent circuit-breaker has been triggered several times, a service partner must be contacted for advice as the motor winding can become damaged.



- The grinder has a thermal overcurrent circuit-breaker which interrupts the electric circuit of the grinder in case of electrical overload.

To put the grinder into operation again, first set the on/off switch **(3)** to switch position **0** (off) and disconnect the power plug **(13)**.

Then press the release button **(4)**.

You can now plug the power plug back into the socket and put the grinder into operation (see chapter "Setting up the grinder").

- The grinder also has a motor protector, which switches off the grinder when the motor becomes too hot. As soon as the motor has cooled down, the grinder can be put into operation again (see chapter: "Troubleshooting").

Connecting the grinder and setting the grinding degree



- The grinding degree scale of the grinding degree adjustor **(2)** displays the desired grinding degree.

The finest setting is "1".

- Reduce the grinding degree only while the grinder is in operation.

1. Make sure that you have inserted the power plug **(13)** into a properly installed safety socket.
2. Turn the grinding degree adjustor **(2)** towards "1" for fine coffee grinding and in the opposite direction for coarse coffee grinding (see **Fig. C**).

Adding coffee beans

1. Open the lid of the bean container **(1)**.
2. Pour in whole roasted coffee beans from above into the bean container.
The maximum filling quantity should be approx. 1 cm below the edge of the bean container.
3. Close the lid of the bean container.

Preparing grist container

Depending on your grinder model, prepare the appropriate container for collecting the grist:

KR 804:

1. Clamp a coffee bag between the vibrating tray **(6)** and the outlet **(7)** by lifting and holding the scaler **(8)**.
2. Now put the coffee bag over the outlet.
3. Release the scaler.
The coffee bag leans on the vibrating plate, held by the scaler.
4. Continue with the subchapter "Starting grinding".

K 804 LAB (SWEET):

1. If necessary, fold the folding table **(9)** and place a grist container on it (see **Fig. D**).
2. If necessary, use the adjusting screws **(10)** to adjust the height of the folding table for the grist container used.
3. Continue with the subchapter "Starting grinding".

K 804 LAB FILTER:

1. Insert a suitable paper filter into the filter cage.
2. Hang the filter cage in the filter cage container **(11)**.
3. Continue with the subchapter "Starting grinding".

Starting grinding

1. Start the grinding process by switching the on/off switch **(3)** to switch position I.
2. The grinding is completed as soon as the grinder is idling and no grinding noises are audible.
3. Now activate the scaler **(8)** several times in succession by pulling up and releasing the scaler.
Any grist residues that are stuck are removed from the grinder.
4. Switch off the grinder by setting the on/off switch to switch position 0.

Changing coffee variant

Before grinding, 2 grams of the new coffee variant should be ground to avoid mixing the previous grindings.

Cleaning



CAUTION!

Risk of injury!

The grinder can fall over when moved and cause injury.

- Place the grinder on a stable, tilt-proof surface.
 - Ask another person for help if the grinder is too heavy.
-

INFORMATION!

Risk of short-circuit!

Water penetrating the grinder can cause a short-circuit.

- Never immerse the grinder in water or any other liquids.
 - Never clean the grinder with a water jet.
 - Also make sure that no water or other liquids end up in the casing in any other way.
-

INFORMATION!

Risk of damage!

Improper handling can lead to the grinder being damaged.

- Do not use any harsh cleaning products and no sharp or metallic cleaning objects such as knives, metal scouring pads and the like. These can scratch the surface.
- Do not put the strainer bowl or the bean container into the dishwasher. Otherwise, the color may fade and the attachments of the bean container may corrode.
- Do not lift the grinder by the bean container; only lift by the casing and always with both hands.

Cleaning the grinder installation surface

1. Switch off the grinder and remove the power plug **(13)** from the socket.
2. Lift the grinder with both hands on the casing and place it onto a clean surface.
3. Clean the surface and the underside of the grinder with a damp cloth and dry the surfaces.
The surfaces must be dry and free of oil and grease.
4. Place the grinder back onto the cleaned surface.

Cleaning the casing

1. Switch off the grinder and remove the power plug **(13)** from the socket.
2. Carefully clean the outlet **(7)** with a brush.
3. Wipe the casing and the strainer bowl **(5)** with a damp cloth if required, but at least once per week.

K 804 LAB (SWEET):

Be sure to also clean the adjusting screws **(10)** for the folding table.

K 804 LAB Filter:

Be sure to also clean the side adjusting screws **(12)** for the filter cage container.

Cleaning the bean container



The bean container **(1)** must be cleaned daily to remove any coffee oil residue, as this can have a negative effect on the taste. The manufacturer recommends the use of bean container cleaner. For more information about the cleaner, visit www.dittingswiss.ch.

1. Grind the leftover coffee beans from the bean container.
2. Spray the bean container inside and out a few times with bean container cleaner.
3. Clean the bean container inside and outside with a cloth and then dry it.

Cleaning the grinder



- The manufacturer recommends using the grinder cleaner GRINDZ™. For more information about GRINDZ™, visit www.dittingswiss.ch.

- The grinder should be cleaned every 2–5 days.

1. Grind the remaining coffee beans until the grinder runs idle and there are no more coffee beans in bean container **(1)**.
2. Use the grinding degree adjustor **(2)** to set the highest possible grinding degree (see chapter "Connecting the grinder and setting the grinding degree").

3. Pour the grinder cleaner into the bean container.

Pay attention to the quantities indicated by the manufacturer of the grinder cleaner you are using.

4. Place a collecting container underneath the outlet **(7)** to collect the grinder cleaner.

5. Set the on/off switch **(3)** to switch position I to start grinding the grinder cleaner.

The grinding of the grinder cleaner is completed as soon as the grinder is idling.

6. Switch off the grinder by setting the on/off switch to switch position 0, once the grinder cleaner has been completely ground.

7. Wipe the bean container with a dry, lint-free cloth.


8. Grind the same amount of coffee beans as you did grinder cleaner in order to remove leftover cleaning particles. Set the grinding degree to the desired setting during the grinding process.
9. Dispose of the ground grinding cleaner and the ground coffee beans in the commercial/domestic waste.

Troubleshooting

Error	Cause	Remedy
The grinder is humming but not grinding.	<ul style="list-style-type: none"> • The outlet is clogged. 	<ul style="list-style-type: none"> → Set the grinding degree setting to “most coarse” and trigger the grinding process. The grinder will grind itself clear. Then set the desired grinding degree setting to the desired grinding degree during operation. → Operate the grinder's scaler several times to clear the blockage.
	<ul style="list-style-type: none"> • The grinding degree is too fine. 	<ul style="list-style-type: none"> → Set the grinding degree setting to “most coarse” and trigger the grinding process. The grinder will grind itself clear. Then set the desired grinding degree setting to the desired grinding degree during operation. Should the problem persist, contact your supplier (see chapter “Maintenance and service”).
	<ul style="list-style-type: none"> • A foreign object is in the grinder. 	<ul style="list-style-type: none"> → Clean the grinder as described in the “Cleaning” section and remove the foreign object at the same time. If the foreign object can not be removed, contact your supplier (see chapter “Maintenance and service”).

Error	Cause	Remedy
The grinder is not grinding or buzzing.	• The power plug is not plugged into a socket.	→ Insert the mains plug into a properly installed wall socket.
	• The thermal overcurrent circuit-breaker has been triggered.	→ Check whether the overcurrent circuit-breaker's release button has popped out. Push it back in if necessary. If the overcurrent circuit-breaker repeatedly pops out, contact your supplier (see chapter "Maintenance and service").
	• The electrical fuse has tripped.	→ Check the electrical fuse. Bring it back to its original state or swap it. Check whether other users are connected to this fuse and if so, pull their plugs. If the back-up fuse trips repeatedly, contact your supplier (see chapter "Maintenance and service").
The grinder is not grinding fine enough.	• The grinding discs are worn out.	→ Contact your supplier (see chapter "Maintenance and service").
	• The grinding discs are not aligned correctly.	→ Contact your supplier (see chapter "Maintenance and service").

Technical data

Model:	KR 804 K 804 LAB (SWEET) K 804 LAB FILTER
Voltage / frequency:	100 V / 50 Hz 100 V / 60 Hz 120 V / 60 Hz 200–240 / 50 Hz 200–240 / 60 Hz
Protection type:	IPX1
Protection class:	I 
Fuse:	16 A-slow
Idle speed:	
50 Hz:	1300 min ⁻¹
60 Hz:	1650 min ⁻¹
Sound emission values:	
Idle:	55 dB
Grinding:	75 dB
Grinding capacity:	450 g/min*
Max. grinding time:	45 seconds on and 180 seconds off
Max. daily output:	48 kg per working day (8 h)
Dimensions (WxH xD):	200 × 260 × 480 mm
Weight (net):	22.5 kg
max. funnel filling quantity:	0.5 kg

*depends on the coffee beans and the selected grinding degree.

Disposal

Disposing of the packaging



Dispose of the packaging by correctly sorting the recyclable materials. Dispose of card and cardboard as waste-paper, sheets as recyclable materials.

Disposing of the grinder



Old appliances may not be thrown into the commercial/domestic waste! If you can no longer use your grinder, you are **legally obliged as a user to pass on old appliances separately to commercial/domestic waste**, e.g. at a collection point in your community/district. Then it can be ensured that old appliances are utilized professionally and negative impacts on the environment are avoided. That is why electrical appliances are labelled with the symbol opposite.

Maintenance and service

In the event of service or maintenance, contact an Authorized Service Center for Ditting products. Customer Service answers your questions about repairing and maintaining your product and spare parts.

Exploded diagrams and information on spare parts are also available at:

www.ditting.com



Our application consulting team will be happy to help you with questions concerning our products and their accessories.

For all inquiries and spare parts orders, please be sure to include the article and serial number as stated on the grinder nameplate.

ditting



DITTING USA, INC.
8801-B Smiths Creek Rd
Wales, MI 48027 USA



1 810 367 7125



www.ditting.com