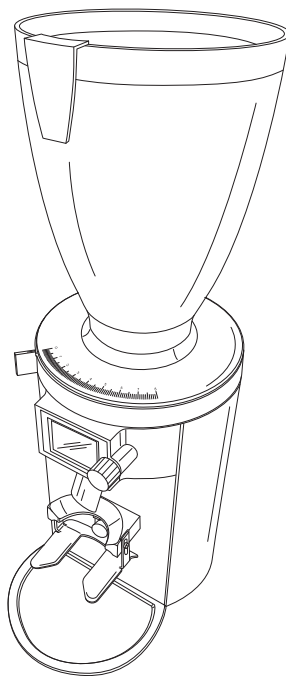


# E65S

---

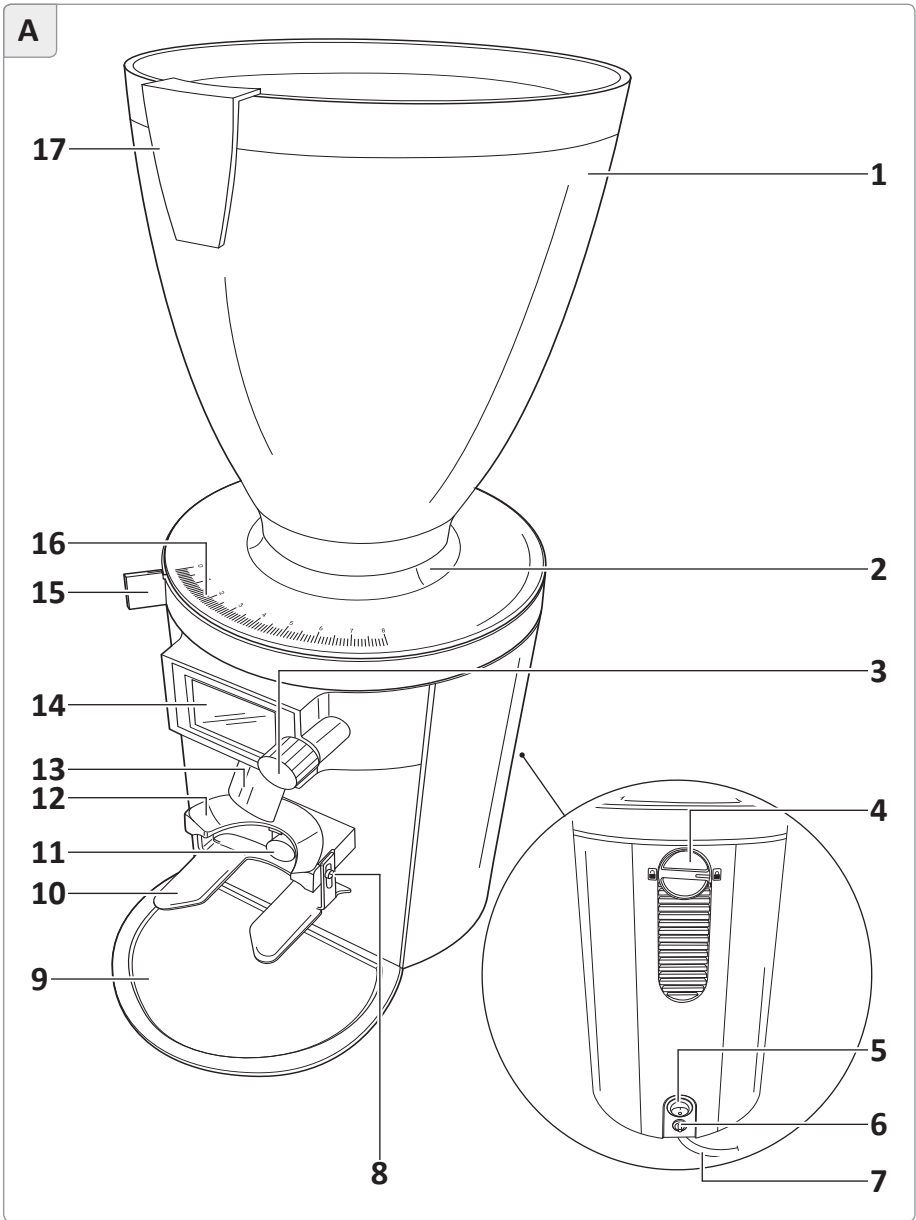
ORIGINAL INSTRUCTION MANUAL

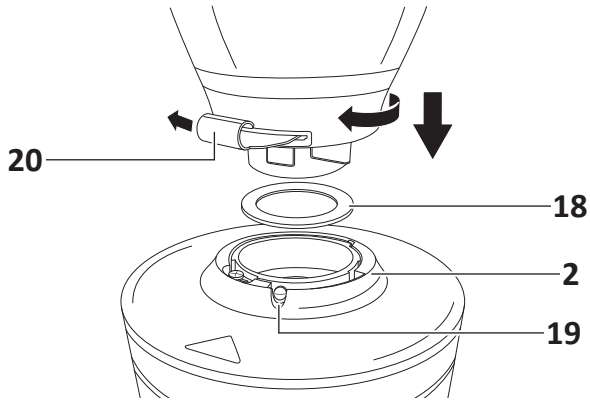
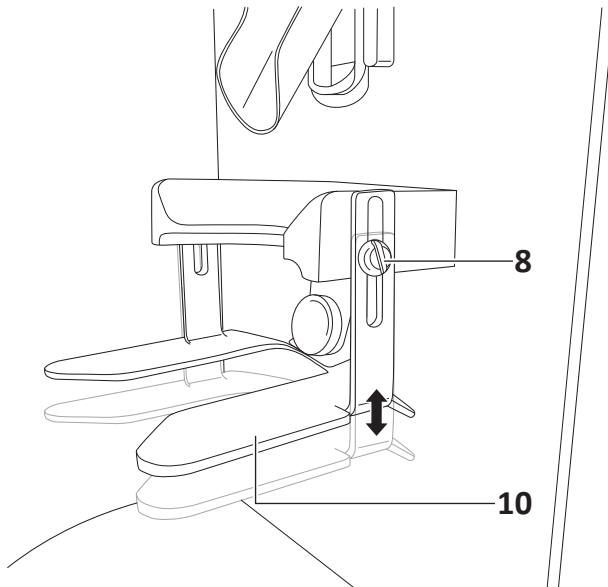


**ditting**

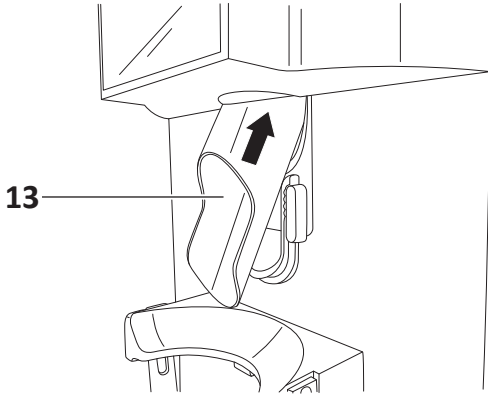
[www.dittingswiss.ch](http://www.dittingswiss.ch)

# Overview

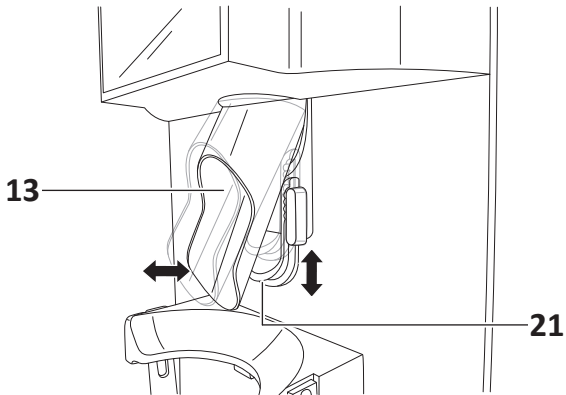


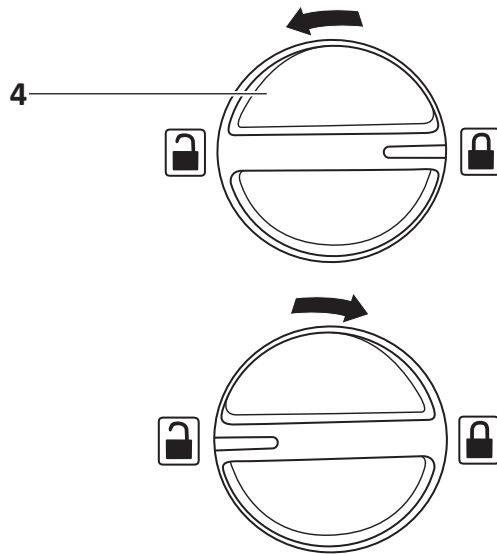
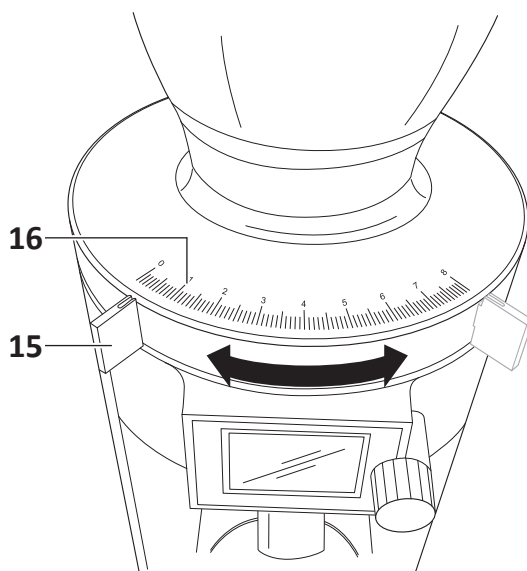
**B****C**

D

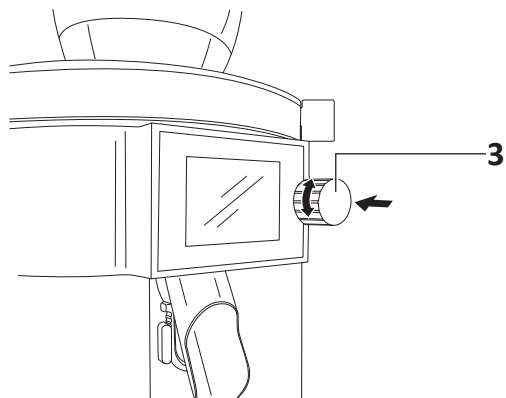


E

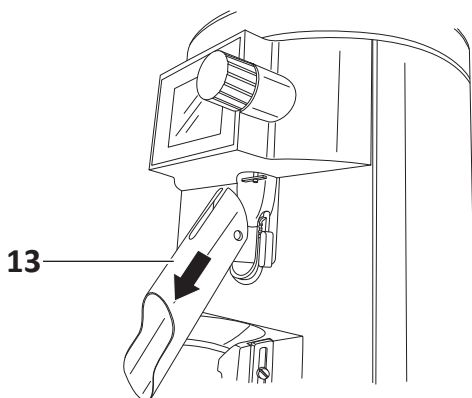


**F****G**

**H**



**I**



## Scope of delivery

### No. Name

- 1 Bean container (incl. lid)
- 2 Bean container intake
- 3 Controller
- 4 Grinding degree lock
- 5 On/Off switch
- 6 Release button (thermal overcurrent circuit-breaker)
- 7 Power cable
- 8 Screw for adjusting the portafilter support (left and right), 2x
- 9 Drip tray
- 10 Portafilter support
- 11 Start button
- 12 Portafilter intake
- 13 Outlet
- 14 Display
- 15 Grinding degree slide
- 16 Grinding degree scale
- 17 Clip for the type of bean used
- 18 Rubber ring
- 19 Locking screw for the bean container
- 20 Sliding valve
- 21 Outlet guide

**E65S****Contents**

<b>Overview .....</b>	<b>2</b>	Grinding espresso beans	
<b>Scope of delivery .....</b>	<b>7</b>	– Manual grinding.....	20
<b>General information .....</b>	<b>9</b>	Suspending grinding	
Reading and storing the		(break function) .....	20
instruction manual.....	9	Changing the type of	
Explanation of symbols used .....	9	espresso beans .....	21
<b>Safety.....</b>	<b>11</b>	<b>Using the main menu .....</b>	<b>22</b>
Intended use .....	11	Display/navigation symbols .....	22
Safety information .....	11	Opening and using	
<b>Before using for the</b>		the main menu.....	23
<b>first time .....</b>	<b>14</b>	<b>Cleaning.....</b>	<b>24</b>
Functioning and basic settings ...	14	Cleaning the surface on which	
Checking the grinder and		the grinder stands.....	25
scope of delivery.....	14	Cleaning the casing.....	25
Setting up the grinder and		Cleaning the outlet system .....	25
inserting the bean container .....	15	Cleaning the bean container .....	26
Setting the portafilter support		Cleaning the grinding mechanism..	27
and outlet.....	16	<b>Troubleshooting .....</b>	<b>28</b>
<b>Operation .....</b>	<b>17</b>	<b>Technical data.....</b>	<b>31</b>
Adding espresso beans .....	18	<b>Disposal .....</b>	<b>32</b>
Switching on the grinder .....	18	Disposing of the packaging.....	32
Setting the grinding degree .....	18	Disposing of the grinder .....	32
Selecting the recipe/grinding		<b>Maintenance and service ..</b>	<b>33</b>
time .....	19	<b>CE conformity declaration .</b>	<b>34</b>
Setting or changing the		<b>Notes .....</b>	<b>35</b>
recipe/grinding time .....	19		
Grinding espresso beans			
– Grinding according to a recipe....	20		

## General information

### Reading and storing the instruction manual



Before you start using the E65S Single Espresso Grinder, carefully read through this original instruction manual and the safety information. Only then will you be able to use the Single Espresso Grinder safely and without danger. The original instruction manual is based on the standards and regulations in force in the European Union. Please also note the guidelines and laws that apply in your country. For greater clarity, the E65S Single Espresso Grinder will be referred to below simply as the “grinder”.

Please keep this original instruction manual safe for subsequent questions. Please also pass this original instruction manual on to subsequent owners and users of the grinder.

### Explanation of symbols used

The following symbols and signal words are used in this original instruction manual, on the grinder or on the packaging.



#### **WARNING!**

This signal word/symbol indicates a moderate risk, which, if it is not avoided, can lead to death or serious injury.



#### **CAUTION!**

This signal word/symbol indicates a low risk, which, if it is not avoided, can lead to minor or moderate injury.

#### **NOTE!**

This signal word warns of possible material damage.



This symbol provides you with useful information about operation or handling.



Declaration of Conformity (see “Declaration of Conformity” section): Products marked with this symbol fulfill all applicable community provisions of the European Economic Area.



**Intertek**

ETL Listed seal of approval:  
Products marked with this symbol meet the requirements for electrical product safety in the United States of America.



**Intertek**

Products marked with this symbol meet the required criteria of the NSF (National Sanitation Foundation) regarding cleanliness and hygiene in the food industry.



Products marked with this symbol are only permitted for use indoors.



This symbol indicates a risk of electric shock.



This symbol indicates that the grinder conforms to protection class I.

# Safety

## Intended use

The grinder is suitable only for grinding whole roasted espresso beans. Do not use the grinder to grind other products or objects. It is intended for commercial use and may only be serviced by trained personnel. It may, however, be operated by other persons in a place where its use is supervised.

Any other use is not considered to comply with intended use and can result in material damage or even personal injury. Do not make any changes to the grinder. Neither the manufacturer nor the supplier can accept liability for any injury or damage resulting from failure to comply with the safety information.

## Safety information

---

### **WARNING!**

#### **Risk of electric shock!**

Improper use, incorrect electrical installation or a voltage that is too high can all lead to electric shock.

- Connect the grinder only if the mains voltage of the socket complies with the information indicated on the type plate.
- Only connect the grinder to a socket with good accessibility so that you can disconnect it quickly from the power supply in the event of a malfunction.
- Do not use the grinder if you notice any visible damage or if the power cable or plug is faulty.
- If the grinder power cable is damaged, it must be replaced by the manufacturer or by qualified personnel in order to avoid hazards.
- Do not use the grinder without earth connection.
- Connect the grinder only to a power supply with a 16 A-slow fuse. If the power connection at the installation location of the grinder is not protected in this way, have a 16 A-slow fuse fitted by a qualified electrician.
- Install the grinder only in locations where its use can be super-

vised by trained personnel.

- Do not operate the grinder above an altitude of 2,000 meters.
- Do not immerse the grinder, the power cable or the power plug in water or any other liquids.
- Do not clean the grinder with a water jet.
- Do not clean the grinder with compressed air (e.g. with a compressed air blow gun).
- Never touch the power plug with wet hands.
- Never unplug the power plug from the wall socket by pulling on the power cable; always grip the power plug.
- Never use the power cable to carry the grinder.
- Keep the grinder and power cable / power plug away from open flames and hot surfaces.
- Do not position the power cable in such a way that it could create a tripping hazard.
- Do not bend the power cable and do not place it over sharp edges.
- Use the grinder in indoor areas only. Never operate the grinder in damp areas or in the rain.
- Keep children away from the grinder.
- Make sure that children do not insert any objects into the grinder.
- If you are not currently using or cleaning the grinder or if there is a malfunction, switch the grinder off and remove the power plug from the socket.
- Do not open the grinder casing; leave repairs to the experts. If repairs are required, please contact a specialist workshop. If unauthorized repairs are carried out, the connection is not made correctly or the grinder is operated incorrectly, all liability and warranty claims are excluded. Only parts that comply with the original appliance specifications may be used for repairs. This grinder contains electrical and mechanical parts that are essen-

tial for protection against potential hazards.

---

### **WARNING!**

**Danger for children and persons with reduced physical, sensory or mental capacities (e.g. partially disabled persons, elderly persons with limited physical and mental capacities) or a lack of experience and knowledge (e.g. older children).**

- This grinder may be used by children older than eight years and by persons with reduced physical, sensory or mental disabilities or a lack of experience and knowledge if they are supervised or instructed on the safe use of the grinder and have understood the resulting dangers. Children are not permitted to play with the grinder. Cleaning and user maintenance may not be carried out by children without supervision.
  - Do not leave the grinder unsupervised when in operation.
  - Do not let children play with the packaging film. Children can become entangled in it and suffocate while playing.
  - Do not let children play with small parts. They can be life-threatening if swallowed.
- 

### **CAUTION!**

**Risk of tipping and injury!**

Incorrect handling of the grinder can result in injury.

- Position the power cable so that nobody can become entangled in it and cause the grinder to fall.
  - Place the grinder on a level and stable surface to prevent it from falling off.
-

## Before using for the first time

### Functioning and basic settings

The shot sizes, i.e. the volume of grounds per serving, are defined by the grinding time in the E65S grinder.

The user can specify up to six different recipes (grinding times) and also has the option to control the grinding time manually (manual grinding).

The grinding process is started automatically when the portafilter is inserted and either stops automatically after the defined grinding time has elapsed or when the portafilter is removed (manual grinding).



On delivery, 2 recipes/shots and manual grinding are set as defaults:



Single shot: 2 seconds (approx. 8 g\*)



Double shot: 4 seconds (16 g\*)



Manual grinding: ends automatically on removal of the portafilter from the portafilter intake.

\*The quantity of ground coffee depends on the espresso bean type selected, the grinding degree selected and the mains frequency (see “Technical data” section).

### Checking the grinder and scope of delivery

#### NOTE!

##### Risk of damage!

The grinder can be damaged if the packaging is opened carelessly with a sharp knife or other pointed object.

- Be very careful when opening.

1. Remove the grinder from its packaging.
2. Check that the delivery is complete (see **Fig. A, B** and **E**).
3. Check for damage to the grinder or any of the individual parts.  
If this is the case, do not use the grinder. Contact your supplier (see “Maintenance and service” section).

## Setting up the grinder and inserting the bean container



You will need a slot screwdriver to fix the bean container (not supplied).

1. Place the grinder on a level and stable surface that does not vibrate.
2. Ensure that the outlet **(13)** is pushed as far upwards as possible and engages securely in the outlet lock (see **Fig. D**).
3. Make sure that the grinder is switched off (On/Off switch **(5)** to “0” position) and connect the grinder to the power supply by inserting the power plug into a properly installed earthed socket.
4. Place the drip tray **(9)** into the corresponding casing recess below the outlet.
5. Make sure that the rubber ring **(18)** has been properly inserted in the bean container intake **(2)** and is lying flat (see **Fig. B**).
6. Position the bean container **(1)** on the bean container intake. When positioning the bean container intake, ensure that the nose of the bean container is located in the corresponding recess in the bean container intake.
7. Push the bean container down slightly into the bean container intake and rotate the bean container clockwise to lock it in place on the grinder. If the bean container cannot be fixed in place by rotating it, it may not be positioned correctly. Align the bean container correctly (see step 6) and try again to fix it in place by rotating it (see also “Troubleshooting” section).
8. Use a slot screwdriver to tighten the locking screw **(19)** for the bean container clockwise.



The grinder switches off automatically when the bean container is not inserted.

## Setting the portafilter support and outlet



You will need a slot screwdriver to adjust the portafilter support (not supplied).

Adjust the portafilter support **(10)** to the size of your espresso machine's portafilter (see **Fig. C**):

1. Make sure that the grinder is switched off (On/Off switch **(5)** to position 0).
2. Loosen the screws **(8)** for adjusting the portafilter support (left and right) by turning them counterclockwise using a slot screwdriver.  
The portafilter support lowers until it reaches the stop.
3. Insert the portafilter into the portafilter intake **(12)**.
4. Push the portafilter support upwards until the portafilter fits exactly between the portafilter support and the portafilter intake.



If the portafilter support does not fit, contact your supplier (see "Maintenance and service" section).

5. Hold the portafilter support in position and fix it by tightening the screws for adjusting the portafilter support (left and right) counterclockwise with a slot screwdriver.
6. Push the outlet guide **(21)** up or down in the lock to position the outlet **(13)** perfectly for your portafilter (see **Fig. E**).  
Align the outlet in such a way that the coffee grounds fall out of the outlet into the center of the portafilter inserted.



Reset the outlet after every grinding degree adjustment and every change of the type of espresso beans.

## Operation

---

### NOTE!

#### Risk of overheating!

Exceeding the maximum permissible operating cycle can cause the grinder to overheat.

- Do not exceed the maximum operating cycle (see “Technical data” section).
  - Observe the recommended break when the maximum permissible operating cycle is reached (see “Technical data” section).
- 



- The grinder has a thermal overcurrent circuit-breaker which interrupts the electric circuit of the grinder in case of electrical overload.  
To use the grinder again, first set the On/Off switch **(5)** to switch position 0 (off).  
Then push the release button **(6)** in.  
You can now switch the grinder on by setting the On/Off switch to switch position I and resume using the grinder (see “Troubleshooting” section).
  - The grinder also has a motor protector, which switches off the grinder when the motor becomes too hot.  
As soon as the motor has cooled down, the grinder can be put into operation again (see “Troubleshooting” section).
- 

### NOTE!

#### Risk of damage!

The operator cannot adjust the thermal overcurrent circuit-breaker. If the circuit-breaker has been triggered several times, a service partner must be contacted for advice as the motor winding may be damaged.

---

## Adding espresso beans

1. Remove the lid from the bean container **(1)**.
2. Pour whole roasted espresso beans into the bean container from above.



- The maximum filling quantity should be approx. 1 cm below the edge of the bean container.
- The minimum filling quantity should not fall below approx. 2 cm in order to ensure that there are no dispensing fluctuations.

3. Place the lid back onto the bean container.
4. If necessary, open the bean container by pulling out the sliding valve **(20)** (see **Fig. B**).



Using the clip **(17)** on the lid of the bean container, you can attach a label or similar to the grinder to indicate the type of espresso beans you are currently using.


## Switching on the grinder

1. Ensure that the power plug is inserted into a properly installed earthed socket.
2. Switch on the grinder by moving the On/Off switch **(5)** to position “I”. The grinder is ready for operation as soon as the recipe last selected or the symbol for manual grinding appears on the display **(14)**.


## Setting the grinding degree



- The lock for the grinding degree adjuster locks the grinding degree slider **(15)** to prevent accidental adjustment of the grinding degree.
- When the grinding degree lock **(4)** is open, the grinding degree slide can be moved continuously along the grinding degree scale **(16)**. The finest setting is “0” and the coarsest setting is “8”.

1. If necessary, release the lock on the grinding degree adjuster by rotating the grinding degree lock **(4)** counterclockwise to the  position (open) (see **Fig. F**).
2. Move the grinding degree slide **(15)** to the position required so that the groove on the slider shows the grinding degree required on the grinding degree scale **(16)** (see **Fig. G**).



- Reduce the grinding degree only while the grinder is in operation.
  - In order to avoid/eliminate imbalances in setting the grinding degree, it is advisable first to set a coarser grinding degree (about one level/unit above the grinding degree required) and only then move the grinding degree slide down from there to the finer grinding degree required.
3. Fix the grinding degree setting as necessary by turning the grinding degree lock clockwise to the  position (closed) (see **Fig. F**).

## Selecting the recipe/grinding time

- Rotate the controller **(3)** to select the recipe/grinding type required (see **Fig. H**).

The display **(14)** shows the symbol for the selected recipe, the corresponding grinding time and the recipe number highlighted in white.

## Setting or changing the recipe/grinding time

Proceed as follows if you want to set up the grinding time for a new recipe or change the grinding time of an existing recipe:

1. Turn the controller **(3)** to select the recipe required (see “Selecting recipe/grinding time” section).
2. Press and hold the controller (see **Fig. H**).  
The grinding time set flashes.
3. Rotate the controller to set the grinding time required.
4. Confirm the grinding time set by pressing and releasing the controller 1x.



If you do not adjust any settings for longer than 5 seconds (by rotating/pressing the controller), the setting/change to the grinding time will be cancelled.

## Grinding espresso beans – Grinding according to a recipe

1. Turn the controller **(3)** to select the recipe required (see “Selecting recipe/grinding time” section).
2. Insert the portafilter between the portafilter intake **(12)** and the portafilter support **(10)** until it touches the start button **(11)**.  
The grinder starts the grinding process automatically, runs for the set grinding time and then stops. During the grinding process, the remaining grinding time is counted down on the display **(14)**.
3. Remove the portafilter from the portafilter intake once the grinding process is complete.

## Grinding espresso beans – Manual grinding

1. Insert the portafilter between the portafilter intake **(12)** and the portafilter support **(10)** until it touches the start button **(11)**.  
The grinder starts the grinding process automatically when the start button is triggered. During the grinding process, the symbol appears on the display and the current grinding time is shown.
2. Remove the portafilter from the portafilter intake when you want to end the grinding process.

## Suspending grinding (break function)

The break function automatically suspends grinding when you remove the portafilter from the portafilter intake **(12)** and continues grinding when you insert the portafilter into the portafilter intake again and trigger the start button **(11)**.

1. Remove the portafilter from the portafilter intake during grinding to interrupt grinding and stop the grinding time. The symbol for the selected recipe flashes.
2. Reinsert the portafilter between the portafilter intake and the portafilter support **(10)** before the set abort time elapses.

The suspended grinding process is continued automatically until the grinding time has elapsed.



- If you do not want to continue with the grinding process, press and release the controller **(3)** 1x.  
The display jumps directly to the selected mode and the previously suspended time is deleted.
- The length of the abort time can be set on the menu.






## Changing the type of espresso beans





1. Close the bean container **(1)** by pushing in the sliding valve **(20)**.
2. Grind the espresso beans that remain in the grinding mechanism until the grinder runs idle.
3. Use a slot screwdriver to release the locking screw **(19)** for the bean container.
4. Rotate the bean container counterclockwise to loosen it from the grinder, and remove it from the grinder by lifting upwards.
5. Remove the leftover espresso beans from the bean container.
6. Remove any excess beans from the bean container intake **(2)** (see **Fig. B**).
7. Make sure that the rubber ring **(18)** has been properly inserted in the bean container intake and is lying flat.
8. Position the bean container on the bean container intake.  
When positioning the bean container intake, ensure that the nose of the bean container is located in the corresponding recess in the bean container intake.
9. Push the bean container down slightly into the bean container intake and rotate the bean container clockwise to lock it in place on the grinder.  
If the bean container cannot be fixed in place by rotating it, it may not be positioned correctly. Align the bean container correctly (see step 8) and try again to fix it in place by rotating it (see also “Troubleshooting” section).
10. Use a slot screwdriver to tighten the locking screw for the bean container clockwise.
11. Pour the new espresso beans into the bean container.
12. Open the bean container by pulling out the sliding valve.
13. Grind 2–3 shots to remove any residue of the old espresso beans, to warm up the machine and to avoid any fluctuations in dispensing the beans.

## Using the main menu



You can retrieve appliance data and change the settings on the main menu.

### Display/navigation symbols

Symbol	Meaning
	“Service Log” item on the main menu
	“Recipes” item on the main menu
	“Settings” item on the main menu
	Exit main menu/submenu
	“Reset counter” option on Statistics submenu

Recipe symbols	Name
	Bottomless portafilter
	Single portafilter (single shot)
	Double portafilter (double shot)
	Manual grinding

## Opening and using the main menu

1. Press and release the controller **(3)** 2× to open the main menu on the display **(14)**.
2. Rotate the controller to select the menu item you require (see “Display/navigation symbols” section).  
The symbol for the selected menu item is shown in the center of the display and is highlighted in color.
3. Confirm your selection by pressing and releasing the controller 1× to access the submenu you require or to leave the main menu ( symbol).
4. Rotate the controller to access a sub-item or the  symbol (to leave the submenu), and confirm your selection by pressing and releasing the controller 1×.



If you take longer than 10 seconds to make or confirm a selection on the main menu or a sub-menu, you will automatically be taken back to the home screen of the selected mode.

Entries that have been selected but not confirmed will not be saved.

## Cleaning

---



### **CAUTION!**

#### **Risk of injury!**

The grinder can fall over and cause injury when moved.

- Place the grinder on a stable surface that will not tilt.
  - Ask another person for help if the grinder is too heavy.
- 

### **NOTE!**

#### **Risk of short-circuit!**

Water penetrating the grinder can cause a short-circuit.

- Never immerse the grinder in water or any other liquids.
  - Never clean the grinder with a water jet.
  - Also ensure that no water or other liquids make their way into the casing.
- 

### **NOTE!**

#### **Risk of damage!**

Improper handling can cause damage to the grinder.

- Do not use any harsh cleaning products or sharp or metallic cleaning objects such as knives, metal scouring pads or similar. These can scratch the surface.
  - Do not clean the grinder with compressed air (e.g. with a compressed air blow gun).
  - Do not put the drip tray or the lid of the bean container into the dishwasher. These parts are not dishwasher-proof and the color may fade.
  - Do not lift the grinder by the bean container; lift only by the casing and always use both hands.
-

## Cleaning the surface on which the grinder stands

1. Switch off the grinder (On/Off switch **(5)** to position 0) and remove the power plug from the socket.
2. Lift the grinder by the casing with both hands and place on a clean surface.
3. Clean the surface and the underside of the grinder with a damp cloth and dry the surfaces.  
The surfaces must be dry and free from oil and grease.
4. Place the grinder back onto the clean surface.

## Cleaning the casing

1. Switch off the grinder (On/Off switch **(5)** to position 0) and remove the power plug from the socket.
2. Also clean the following parts of the grinder with a brush:
  - the outlet **(13)**,
  - the portafilter intake **(12)**,
  - the start button **(11)**,
  - the portafilter support **(10)**,
  - the screws **(8)** for adjusting the portafilter support (left and right).
3. Pull the drip tray **(9)** forward and out of the grinder.  
Wipe the casing and the drip tray with a damp cloth as necessary, but at least once a week.

## Cleaning the outlet system



The manufacturer recommends using a brush with nylon bristles to clean the outlet system.

1. Pull the outlet **(13)** down and out of the lock (see **Fig. 1**).
2. Clean the outlet on the casing (outlet lock) with a brush.
3. Clean the outlet with a damp cloth and then dry it.



Ensure that you do not damage the outlet.  
Fine scratches can have a negative effect on the grinding results, as espresso grounds adhere to the scratches, which can cause fluctuations in dispensing.

## Cleaning the bean container



The bean container must be cleaned daily to remove any coffee oil residue, as it can have a negative effect on the taste. The manufacturer recommends using a bean container cleaner. For more information about the cleaner, visit [www.dittingswiss.ch](http://www.dittingswiss.ch).

1. Close the bean container **(1)** by pushing in the sliding valve **(20)**.
2. Grind the espresso beans that remain in the grinding mechanism until the grinder runs idle.
3. Use a slot screwdriver to release the locking screw **(19)** for the bean container.
4. Rotate the bean container counterclockwise to loosen it from the grinder, and remove it from the grinder by lifting upwards.
5. Temporarily transfer the espresso beans into another container if necessary.
6. Clean the bean container inside and outside with a damp cloth and then dry it.
7. Remove any excess beans from the bean container intake **(2)**.
8. Make sure that the rubber ring **(18)** has been properly inserted in the bean container intake and is lying flat (see **Fig. B**).
9. Position the bean container on the bean container intake.  
When positioning the bean container intake, ensure that the nose of the bean container is located in the corresponding recess in the bean container intake.
10. Push the bean container down slightly into the bean container intake and rotate the bean container clockwise to lock it in place on the grinder.  
If the bean container cannot be fixed in place by rotating it, it may not be positioned correctly. Align the bean container correctly (see step 9) and try again to fix it in place by rotating it (see also “Troubleshooting” section).
11. Use a slot screwdriver to tighten the locking screw for the bean container clockwise.
12. Pour the espresso beans back into the bean container.
13. Open the bean container by pulling out the sliding valve.

## Cleaning the grinding mechanism



- The manufacturer recommends using GRINDZ™ grinder cleaner. For more information about GRINDZ™, visit [www.dittingswiss.ch](http://www.dittingswiss.ch).
- The grinding mechanism should be cleaned every 2–5 days.

1. Close the bean container **(1)** by pushing in the sliding valve **(20)**.
2. Set the grinding degree to “8” (see “Setting the grinding degree” section).
3. Grind the espresso beans that remain in the grinding mechanism until the grinder runs idle.
4. Use a slot screwdriver to release the locking screw **(19)** for the bean container.
5. Rotate the bean container counterclockwise to loosen it from the grinder, and remove it from the grinder by lifting upwards.
6. Pour the grinder cleaner directly into the grinding mechanism from above. Adhere to the quantities indicated by the manufacturer of the grinder cleaner you are using.
7. Remove any excess grinder cleaner from the bean container intake **(2)**.
8. Make sure that the rubber ring **(18)** has been properly inserted in the bean container intake and is lying flat (see **Fig. B**).
9. Place the bean container back onto the bean container intake.  
When positioning the bean container intake, ensure that the nose of the bean container is located in the corresponding recess in the bean container intake.
10. Push the bean container down slightly into the bean container intake and rotate the bean container clockwise to lock it in place on the grinder.  
If the bean container cannot be fixed in place by rotating it, it may not be positioned correctly. Align the bean container correctly (see step 9) and try again to fix it in place by rotating it (see also “Troubleshooting” section).
11. Use a slot screwdriver to tighten the locking screw for the bean container clockwise.
12. Place a bowl underneath the outlet **(13)** to collect the grinder cleaner.

13. Press the start button **(11)** to start the grinding process and keep it pressed in until the grinder cleaner has been completely ground.
14. Grind a quantity of espresso beans equal to the quantity of grinder cleaner used in order to remove leftover cleaning particles.  
Set the grinding degree to the setting required during the grinding process.
15. Dispose of the ground grinding cleaner and the ground espresso beans in the commercial/domestic waste.

## Troubleshooting

Problem	Cause	Remedy
The grinder is not grinding; the display does not light up.	• The power plug is not plugged into a socket.	→ Insert the power plug into a properly installed wall socket.
	• The bean container is not inserted.	→ Insert the bean container (see “Setting up the grinder and inserting the bean container” section).
	• The thermal overcurrent circuit-breaker has been triggered.	→ Check whether the circuit-breaker’s release button has popped out. Push it back in if necessary. If the circuit-breaker repeatedly pops out, contact your supplier (see “Maintenance and service” section).
	• The electric fuse has tripped.	→ Check the electric fuse. Return it to its original state or replace it. Check whether other loads are connected to this fuse and if so, pull their plugs. If the fuse trips repeatedly, contact your supplier (see “Maintenance and service” section).


Problem	Cause	Remedy
The grinder is humming but not grinding.	<ul style="list-style-type: none"> <li>The grinding mechanism is blocked.</li> </ul>	<p>→ Release the lock on the grinding degree adjuster and set the grinding degree to “8”.</p> <p>Start the grinding process.</p> <p>The grinder will clear itself.</p> <p>Then adjust the grinding degree setting to the grinding degree required during operation.</p>
	<ul style="list-style-type: none"> <li>Ground coffee has built up in the grinder due to over-filling of the portafilter.</li> </ul>	<p>→ Clean the outlet system (see “Cleaning the outlet system” section).</p> <p>Release the lock on the grinding degree adjuster and set the grinding degree to “8”.</p> <p>Start the grinding process.</p> <p>The grinder will clear itself.</p> <p>Then adjust the grinding degree setting to the grinding degree required during operation.</p>
	<ul style="list-style-type: none"> <li>The grinding degree is too fine.</li> </ul>	<p>→ Release the lock on the grinding degree adjuster and set the grinding degree to “8”.</p> <p>Start the grinding process.</p> <p>The grinder will clear itself.</p> <p>Then adjust the grinding degree setting to the grinding degree required during operation.</p>
	<ul style="list-style-type: none"> <li>A foreign object is in the grinding mechanism.</li> </ul>	<p>→ Clean the grinding mechanism as described in the “Cleaning” section and remove the foreign object. If the foreign object cannot be removed, contact your supplier (see “Maintenance and service” section).</p>

## SINGLE ESPRESSO GRINDER

Problem	Cause	Remedy
The grinder is not grinding finely enough.	<ul style="list-style-type: none"><li>• The grinding discs are worn out or need to be readjusted.</li></ul>	→ Contact your supplier (see “Maintenance and service” section).
The grinder does not grind continuously or the grinding process stops intermittently.	<ul style="list-style-type: none"><li>• The start button is faulty.</li></ul>	→ Contact your supplier (see “Maintenance and service” section).
The grinder’s dispensing accuracy is decreasing.	<ul style="list-style-type: none"><li>• The outlet is clogged. Too much ground coffee has built up in solid form inside the grinder.</li><li>• The grinder outlet is damaged.</li><li>• The flapper is faulty.</li></ul>	<p>→ Remove the outlet or clean the outlet from the outside with a brush while the grinder is switched off. Release the lock on the grinding degree adjuster and set the grinding degree to “8”. Start the grinding process. The grinder will clear itself. Then adjust the grinding degree setting to the grinding degree required during operation.</p> <p>→ Contact your supplier (see “Maintenance and service” section).</p> <p>→ Contact your supplier (see “Maintenance and service” section).</p>
The bean container cannot be put in place.	<ul style="list-style-type: none"><li>• There are beans in the bean container intake.</li><li>• The rubber ring is not lying flat in the bean container intake.</li></ul>	<p>→ Remove the beans from the bean container intake.</p> <p>→ Ensure that the rubber ring is lying in the correct position and is flat in the bean container intake.</p>

Problem	Cause	Remedy
The grinder is not dispensing in the center of the portafilter.	<ul style="list-style-type: none"> <li>The outlet is not aligned correctly with the portafilter.</li> </ul>	→ Align the outlet correctly with the portafilter in use.

## Technical data

Model:	E65S (DE 65 2.4B)
Voltage / frequency:	100 V; 50 Hz 100 V; 60 Hz 110–127 V; 60 Hz 220–240 V; 50 Hz 220–240 V; 60 Hz
Protection type:	IPX0
Protection class:	I 
Fuse:	16 A-slow
Idle speed:	
50 Hz:	1400 rpm
60 Hz:	1650 rpm
Sound emission values (during grinding):	80 dBA
Grinding capacity (fine–coarse):	4–10 g/s*
Max. permitted operating cycle:	
100 V; 50 Hz:	2 double espressos/min. (5 seconds on / 25 seconds off)
100 V; 60 Hz:	2 double espressos/min. (5 seconds on / 25 seconds off)
110–127 V; 60 Hz:	2 double espressos/min. (4 seconds on / 26 seconds off)
220–240 V; 50 Hz:	3 double espressos/min. (5 seconds on / 15 seconds off)
220–240 V; 60 Hz:	3 double espressos/min. (5 seconds on / 15 seconds off)

Recommended break:	15–26 seconds (depending on voltage type)
Max. grinding time:	10 min. in continuous operation
Max. daily output:	30 kg
Dimensions (W × D × H):	195 × 283 × 583 mm
Weight (net):	11.2 kg
Max. funnel filling quantity:	1.2 kg

\*Depending on the espresso bean type selected, the grinding degree selected and the mains frequency.

## Disposal

### Disposing of the packaging



Dispose of the packaging by correctly sorting the recyclable materials. Dispose of cardboard as waste paper and film as recyclable materials.

### Disposing of the grinder



Used appliances may not be thrown into commercial/domestic waste!

If you can no longer use your grinder, you are **legally obliged as a consumer to dispose of used appliances separately from commercial/domestic waste**, e.g. at a local collection point. This ensures that used appliances are recycled correctly and reduces the impact on the environment. For this reason, electrical appliances are labelled with the symbol opposite.

## Maintenance and service

If service or maintenance is required, contact an authorized customer service center for ditting products. Customer Service can answer your questions about repairing and maintaining your product and spare parts.

Exploded diagrams and information about spare parts are also available at:

[www.dittingswiss.ch](http://www.dittingswiss.ch)

[www.dittingswiss.ch/retailers](http://www.dittingswiss.ch/retailers)



Our application consulting team will be happy to help you with questions concerning our products and their accessories.

For all inquiries and spare parts orders, please be sure to include the article and serial number as stated on the grinder type plate.

The version of the grinder is displayed when you switch it on.

Please give this to your supplier when requesting servicing.

# EC DECLARATION OF CONFORMITY

## The manufacturer:

HEMRO International AG  
Länggenstrasse 34, CH-8184 Bachenbülach, Switzerland

Hereby declares that the below mentioned product:

<b>Product:</b>	Device for food processing
<b>Machine model:</b>	Espresso coffee grinder
<b>Types of machine:</b>	E65S: ME 65 2.4B, ME 65 2.4C, DE 65 2.4B, DE 65 2.4C Pratica: AE 65 2.4B, AE 65 2.4C Solida: AE 65 V, AE 65 V Stp, AE 65 V SC, AE V Stp SC, AE 65 VT, AE 65 VT Stp, AE 65 VT SC, AE 65 VT Stp SC

Following directives, regulations and standards have been applied:

2006/42/EG	The provisions of the Machinery Directive
2014/35/EU	The Low Voltage Directive
2014/30/EU	The EU Electromagnetic Compatibility Directive (EMC)
2011/65/EU	The RoHS Directive on the restriction of use of certain hazardous substances in electrical and electronic equipment
(EG) No. 1907/2006	The EU chemicals regulation (REACH – Regulation)
2012/19/EU	WEEE Regulation - Waste of Electrical and Electronic Equipment
EN 60335-1:16	Safety of electrical appliances for household, general requirements
EN 60335-2-64:08	Safety of electrical appliances for household, particular requirements for commercial use
EN 62233:08	Measurement methods for electromagnetic fields
EN 55014-1:06+A1:08+A2:11	Electromagnetic compatibility, Emission (EMC)
EN 55014-2:15	Electromagnetic compatibility, Immunity (EMC)
EN 61000-3-2:14	Electromagnetic compatibility, Emission (EMC)
EN 61000-3-3:13	Electromagnetic compatibility, Emission (EMC)

## Supplements in Europe:

Regulation 1935/2004	Requirements for materials and the objects with food comes into contact
Regulation 2011/10/EU	Requirements on plastic materials and articles intended to come into contact with food
Regulation 2023/2006	Regulation on good manufacturing practice for materials and articles intended to come into contact with food

Documentation agent:

Address of the proxy documentation:

Done in Bachenbülach on:

Function of subscribers:

Signatory names:

Metin Makinaci

See the address of the manufacturer

13/7/2018

Management board

Philipp Baumberger, Gilbert Zünd

Signatures

Philipp Baumberger (MD)

Gilbert Zünd (MD)

# Notes

**HEMRO**

Global Coffee Grinding Solutions

**Hemro International AG**

Länggenstrasse 34 | 8184 Bachenbülach, Switzerland

**T:** +41 44 864 18 00 | **F:** +41 44 864 18 01

[info@hemrogroup.com](mailto:info@hemrogroup.com) | [www.hemrogroup.com](http://www.hemrogroup.com)