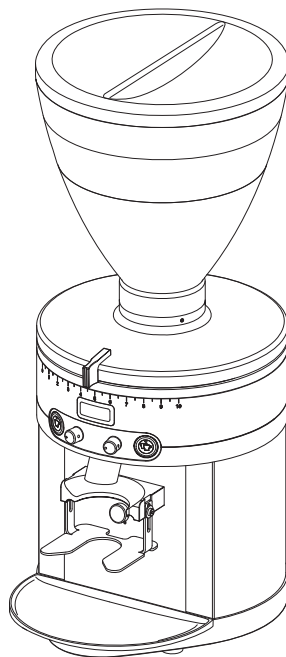


KE640 VARIO AIR

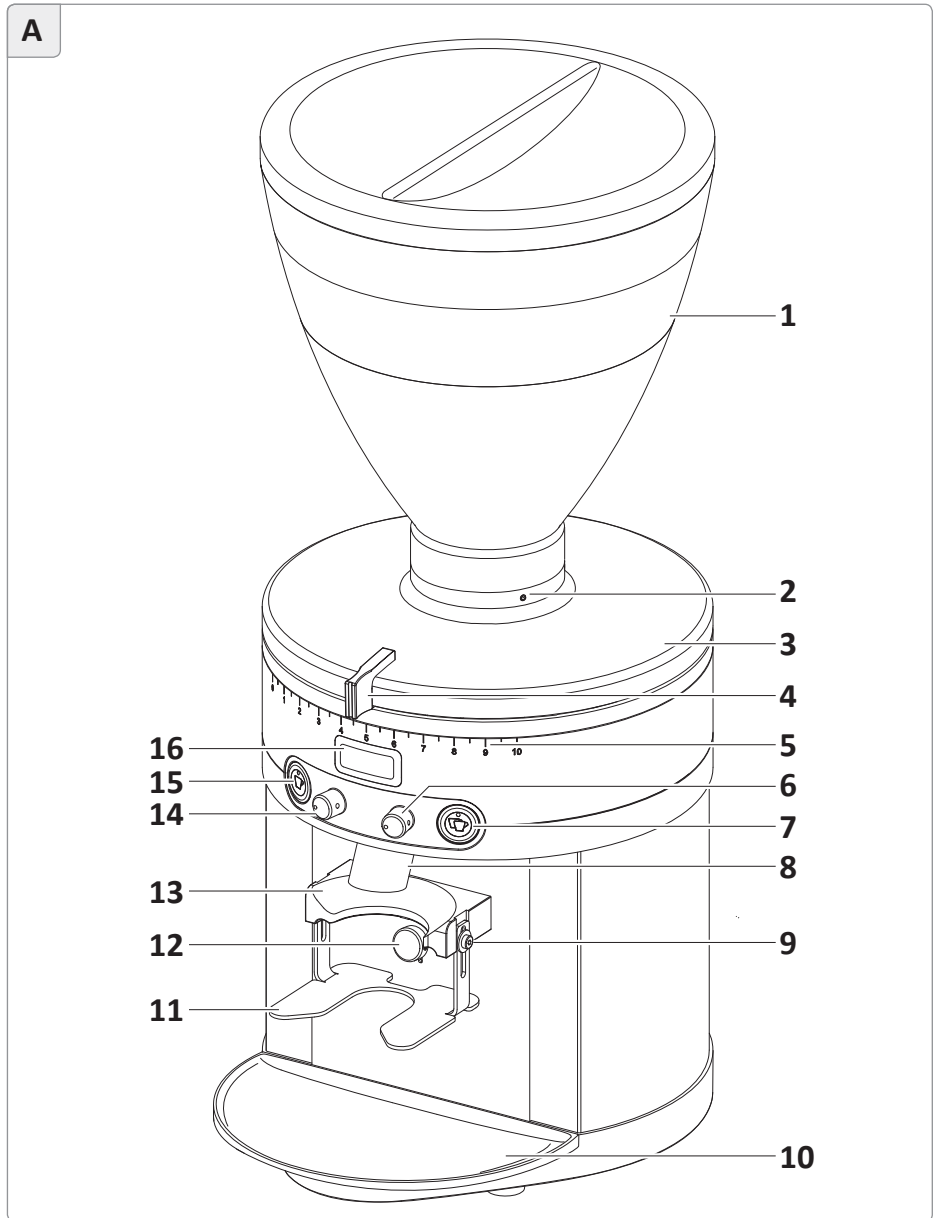
ORIGINAL INSTRUCTION MANUAL

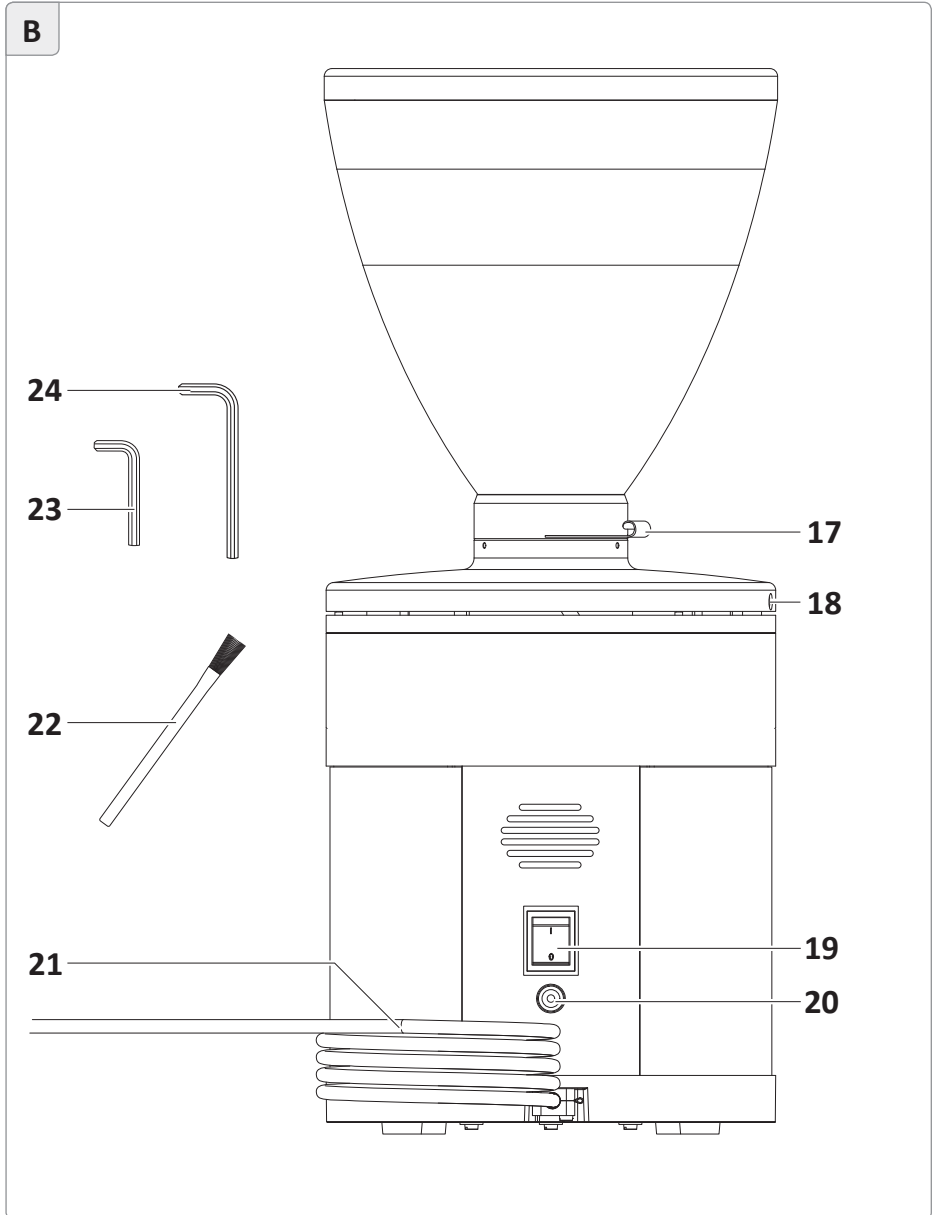


ditting

www.dittingswiss.ch

Overview





Scope of delivery

No. Name

- 1 Bean container (including lid)
- 2 Locking screw for bean container
- 3 Grinding degree mechanism lid
- 4 Locking slide
- 5 Grinding degree scale
- 6 Rotary control (right)
- 7 “Double Shot” pre-selection knob
- 8 Outlet
- 9 Screw for adjusting portafilter support, 2x
- 10 Collection tray
- 11 Portafilter support
- 12 Start button
- 13 Portafilter intake
- 14 Rotary control (left)
- 15 “Single Shot” pre-selection knob
- 16 Display
- 17 Sliding valve
- 18 Locking screw for adjusting grinding degree
- 19 On/off switch
- 20 Release button/thermal overcurrent circuit breaker
- 21 Power cable
- 22 Brush
- 23 Allen key (short, 3 mm)
- 24 Allen key (long, 2 mm)

KE640 Vario Air

Contents

Overview	2	Cleaning.....	19
Scope of delivery	4	Cleaning the surface on which the grinder stands	20
General information	6	Cleaning the casing	20
Reading and storing the instruction manual	6	Cleaning the bean container	20
Explanation of symbols used	6	Cleaning the grinding mechanism.....	21
Safety.....	8	Troubleshooting	22
Intended use	8	Technical data.....	27
Safety information	8	Disposal	28
Before using for the first time	11	Disposing of the packaging.....	28
Checking the grinder and scope of delivery.....	11	Disposing of the grinder	28
Assembly and basic settings	11	Maintenance and service ...	28
Operation	12	CE Declaration of Conformity	29
Using the grinder and setting the mode.....	12		
Setting the grinding degree	13		
Setting the grinding time	14		
Grinding espresso beans	14		
Suspending grinding (break function)	15		
Changing the type of espresso beans	15		
Software menu	16		

General information

Reading and storing the instruction manual



Before you start using the KE640 Vario Air, read through this original operating manual and the safety information carefully. Only then will you be able to use the KE640 Vario Air safely and without risk. The original instruction manual is based on the standards and regulations in force in the European Union. Please also note the guidelines and laws that apply in your country.

For greater clarity, the KE640 Vario Air will be referred to simply as the “grinder” below.

Please keep this original instruction manual safe for subsequent questions. Please also pass this original instruction manual on to subsequent owners and users of the grinder.

Explanation of symbols used

The following symbols and signal words are used in this original instruction manual, on the grinder and on the packaging.



WARNING!

This signal word/symbol indicates a moderate risk, which, if it is not avoided, can lead to death or serious injury.



CAUTION!

This signal word/symbol indicates a low risk, which, if it is not avoided, can lead to minor or moderate injury.

NOTE!

This signal word warns of possible material damage.



This symbol provides you with useful information about operation or handling.



Declaration of Conformity (see “Declaration of Conformity” section): products marked with this symbol fulfill all applicable community provisions of the European Economic Area.



Products marked with this symbol are only permitted for use indoors.



This symbol indicates that you must remove the mains plug before you clean or repair the device.



This symbol indicates a risk of electric shock.



This symbol indicates that the grinder conforms to protection class I.

Safety

Intended use

The grinder is suitable only for grinding whole roasted espresso beans. Do not use the grinder to grind other products or objects. It is intended for commercial use and may only be serviced by trained personnel. It may, however, be operated by other persons in a place where its use is supervised.

Any other use is not considered to comply with intended use and can result in material damage or even personal injury. Do not make any changes to the grinder. Neither the manufacturer nor the supplier can accept liability for any injury or damage resulting from failure to comply with the safety information.

Safety information



WARNING!

Risk of electric shock!

Improper use, incorrect electrical installation or a voltage that is too high can all lead to electric shock.

- Connect the grinder only if the mains voltage of the socket complies with the information indicated on the type plate.
- Only connect the grinder to a socket with good accessibility so that you can disconnect it quickly from the power supply in the event of a malfunction.
- Do not use the grinder if you notice any visible damage or if the power cable or plug is faulty.
- If the grinder power cable is damaged, it must be replaced by the manufacturer or by qualified personnel in order to avoid hazards.
- Do not use the grinder without earth connection.
- Connect the grinder only to a power supply with a 16 A-slow back-up fuse. If the power connection at the installation location of the grinder is not protected in this way, have a 16 A-slow fuse fitted by a qualified electrician.

- Install the grinder only in locations where its use can be supervised by trained personnel.
 - Do not immerse the grinder, the power cable or the power plug in water or any other liquids.
 - Never touch the power plug with wet hands.
 - Never unplug the power plug from the wall socket by pulling on the power cable; always grip the power plug.
 - Never use the power cable to carry the grinder.
 - Keep the grinder and power cable/power plug away from naked flames and hot surfaces.
 - Do not lay the power cable in such a way that it could cause a tripping hazard.
 - Do not bend the power cable and do not lay it over sharp edges.
 - Use the grinder in indoor areas only. Never operate the grinder in damp areas or in the rain.
 - Keep children away from the grinder.
 - Make sure that children do not insert any objects into the grinder.
 - If you are not currently using or cleaning the grinder or if there is a malfunction, switch the grinder off and remove the power plug from the socket.
 - Do not open the grinder casing; leave repairs to the experts. If repairs are required, please contact a specialist workshop. If unauthorized repairs are carried out, the connection is not made correctly or the grinder is operated incorrectly, all liability and warranty claims are excluded. Only parts that comply with the original appliance specifications may be used for repairs. This grinder contains electrical and mechanical parts that are essential for protection against potential hazards.
-

 WARNING!

Danger for children and persons with reduced physical, sensory or mental capacities (e.g. some disabled persons, elderly persons with limited physical and mental capacities) or a lack of experience and knowledge (e.g. older children).

- This grinder may be used by children older than eight and by persons with reduced physical, sensory or mental capacities or a lack of experience and knowledge if they are supervised or instructed on safe use of the grinder and understand the resulting dangers. Children must not play with the grinder. Cleaning and user maintenance may not be carried out by children without supervision.
 - Do not leave the grinder unsupervised when in operation.
 - Do not let children play with the packaging film. Children can become entangled in it and suffocate while playing.
 - Do not let children play with small parts. They can be life-threatening if swallowed.
-

 CAUTION!**Risk of tipping and injury!**

Incorrect handling of the grinder can result in injury.

- Position the power cable so that nobody can become entangled in it and cause the grinder to fall.
 - Place the grinder on a level and stable surface to prevent it from falling off.
-

Before using for the first time

Checking the grinder and scope of delivery

NOTE!

Risk of damage!

The grinder can be damaged if the packaging is opened carelessly with a sharp knife or other pointed object.

- Be very careful when opening.
-

1. Remove the grinder from its packaging.
2. Check that the delivery is complete (see **Fig. A** and **B**).
3. Check for damage to the grinder or any of the individual parts. If this is the case, do not use the grinder. Contact your supplier at the address provided in the “Service” section.

Assembly and basic settings

Setting up the grinder

- Place the grinder on a level and stable surface that does not vibrate.

Adjusting the portafilter support

Adjust the portafilter support (**11**) to the size of your espresso machine’s portafilter:

1. Make sure that the grinder is switched off and not connected to the power supply.
 2. Using the Allen key (short, 3 mm) (**23**), loosen the screws on the portafilter support (left and right) (**9**) by turning counterclockwise.
The portafilter support lowers until it reaches the stop.
 3. Insert the portafilter into the portafilter intake (**13**).
 4. Push the portafilter support upwards until the portafilter fits exactly between the portafilter support and the portafilter intake.
-



If the supplied portafilter support does not fit, contact your supplier at the address provided in the “Service” section.

5. Hold the portafilter support in position and secure it with the screws for the portafilter support (left and right) by using the Allen key (short, 3 mm) and turning it clockwise.

Operation

Using the grinder and setting the mode

- Make sure that you have inserted the power plug into a properly installed wall socket.
- Switch on the grinder by pressing the on/off switch **(19)** on the back. The grinder is ready for use when the selected mode appears on the display **(16)**.
- To select Single Shot mode, press and release the “Single Shot” pre-selection knob **(15)**.
- To select Double Shot mode, press and release the “Double Shot” pre-selection knob **(7)**.
- To select Barista mode, press and release the two pre-selection knobs **(15)** and **(7)** simultaneously.

NOTE!

Risk of overheating!

Exceeding the maximum permissible operating cycle can cause the grinder to overheat.

- Do not exceed the maximum operating cycle (see “Technical data” section).
 - Observe the recommended break when the maximum permissible operating cycle is reached (see “Technical data” section).
-



- The grinder includes a release button/thermal overcurrent circuit breaker **(20)** which breaks the grinder's electrical circuit in cases of electrical overload. To put the grinder into operation again, switch it off at the main switch and push in the release button/thermal overcurrent circuit breaker. You can then move the on/off switch **(19)** to position I (see "Troubleshooting" section).
- The grinder also has a motor protector which switches off the grinder when the motor becomes too hot. As soon as the motor has cooled down, the grinder can be put back into operation (see "Troubleshooting" section).

NOTE!

Risk of damage!

The operator cannot control this circuit breaker. If the circuit breaker is triggered repeatedly, an authorized service partner must be contacted for advice as the motor winding may be damaged.

Setting the grinding degree

1. Use a slot screwdriver to release the locking screw **(18)** for the grinding degree adjustment mechanism.
2. Set the grinding degree by moving the locking slide to the left or right.



- The grinding degree scale **(5)** displays the desired grinding degree. The finest setting is "0" and the coarsest setting is "10".
 - Reduce the grinding degree only while the grinder is in operation.
3. Tighten the locking screw on the grinding degree adjustment mechanism with the slot screwdriver as soon as the required grinding degree has been set.

Setting the grinding time



- The default setting for the grinding time in Single Shot mode is about 2 seconds (approx. 8 g).
- The default setting for the grinding time in Double Shot mode is about 4 seconds (approx. 16 g).

Setting the grinding time for Single Shot mode

1. Press and hold the “Single Shot” pre-selection knob **(15)**.
2. Set the required grinding time by turning the rotary knob (left) **(14)** to the left or right until the required grinding time is reached.
3. Release the “Single Shot” pre-selection knob to store the set time.

Setting the grinding time for Double Shot mode

1. Press and hold the “Double Shot” pre-selection knob **(7)**.
2. Set the required grinding time by turning the rotary knob (right) **(6)** to the left or right until the required grinding time is reached.
3. Release the “Double Shot” pre-selection knob to store the set time.

Grinding espresso beans

1. Remove the lid from the bean container **(1)**.
2. Pour whole roasted espresso beans into the bean container from above.



- The maximum filling quantity should be approx. 1 cm below the edge of the bean container.
- The minimum filling quantity should not fall below approx. 2 cm in order to ensure that there are no dispensing fluctuations.

3. Place the lid back onto the bean container.
4. Open the sliding valve **(17)** by pushing it back.
5. Select the mode required by pressing the relevant pre-selection knob **(15)** or **(7)**.
6. Insert the portafilter between the portafilter support **(13)** and the portafilter intake **(11)**.

Grinding starts automatically.



If you have selected Barista mode, you determine the grinding time manually. In Single Shot and Double Shot mode, grinding stops automatically as soon as the set grinding time has elapsed.

Suspending grinding (break function)

The break function automatically suspends grinding when you remove the portafilter from the portafilter intake **(13)** and continues grinding when you insert the portafilter into the portafilter intake again.

1. Remove the portafilter from the portafilter intake during grinding to interrupt grinding and stop the grinding time.
The LED for the chosen setting flashes.
2. Reinsert the portafilter between the portafilter intake and the portafilter support **(11)**.
3. The suspended grinding process is continued automatically until the grinding time has elapsed.



If you do not want to continue with the grinding process, press one of the two pre-selection knobs **(15)** or **(7)**. The display jumps directly to the selected mode and the previously suspended time is deleted.

Changing the type of espresso beans

1. Open the sliding valve **(16)** by pulling it forwards.
2. Grind the espresso beans that remain in the grinding mechanism until the grinder runs idle.
3. Remove the leftover espresso beans from the bean container **(1)**.
4. Pour the new espresso beans into the bean container.
5. Open the sliding valve by pushing it back.
6. Grind 2–3 shots to remove any residue from the old espresso beans, to warm up the machine and to avoid any fluctuations in dispensing the beans.

Software menu

- Press and hold the two pre-selection knobs **(15)** and **(7)** simultaneously for 3 seconds until the *** MENU *** symbol appears on the display **(16)**. You are now on the main menu.
- To exit the main menu and save your settings, press the two pre-selection knobs simultaneously again until *** SAVE *** appears on the display.

STI 02.0

Setting the grinding time for Single Shot mode on the menu

You can set the grinding time for Single Shot mode on this submenu.

- Set the required grinding time by turning the rotary controller (left) **(14)** to the left or right.

DTI 04.0

Setting the grinding time for Double Shot mode on the menu

You can set the grinding time for Double Shot mode on this submenu.

- Set the required grinding time by turning the rotary controller (right) **(6)** to the left or right.

\$ 000000

Displaying the single shot counter

This submenu shows the number of single shots ground to date. Shots ground in Barista mode are also counted as single shots.

- To reset the counter, switch the grinder off with the on/off switch **(19)** and wait until the display **(16)** goes off.
- Press the pre-selection knobs **(15)** and **(7)** simultaneously and switch the grinder back on with the on/off switch.

RESET

appears on the display. The counter has been reset.

D 000000

Displaying the double shot counter

This submenu shows the number of double shots ground to date.

- To reset the counter, switch the grinder off with the on/off switch **(19)** and wait until the display **(16)** goes off.
- Press the pre-selection knobs **(15)** and **(7)** simultaneously and switch the grinder back on with the on/off switch.

RESET

appears on the display. The counter has been reset.

SC000000

Displaying total single shot counter

This submenu shows the total number of single shots ground to date. Shots ground in Barista mode are also counted as single shots. The counter cannot be reset.

DC000000

Displaying total double shot counter

This submenu shows the total number of double shots ground to date. The counter cannot be reset.

RESET

Resetting

You can reset the cleaning and grinding disk replacement alerts (with PIN) on this submenu.

- Select the alarm that you wish to reset by turning the rotary controller **(6)** or **(14)** to the left or right.

DISC

Setting the grinding disk replacement limit

On this submenu you can set the grinding disk replacement alarm between 200 and 1,500 kg. When the limit is reached, DISC appears on the display **(16)**.

- Select the limit that you wish to set by turning the rotary controller **(6)** or **(14)** to the left or right.

CLEAN

Setting the cleaning alarm

On this submenu you can set and/or deactivate the cleaning alarm.

- Select N with the rotary controller **(6)** or **(14)** to deactivate the cleaning alarm.
- Select Y with the rotary controller **(6)** or **(14)** to activate the cleaning alarm and set the amount of coffee beans after which the cleaning alarm should be triggered.

QTA Y/N

Setting the QTA (Quick Time Adjustment)

On this submenu you can deactivate the Quick Time Adjustment for the grinding time.

- To activate the QTA for the grinding time, select Y by turning the rotary controller **(6)** or **(14)**.
- To deactivate the QTA for the grinding time, select N by turning the rotary controller **(6)** or **(14)**.

Cleaning

CAUTION!

Risk of injury!

The grinder can fall over and cause injury when moved.

- Place the grinder on a stable surface that will not tilt.
 - Ask another person for help if the grinder is too heavy.
-

NOTE!

Risk of short-circuit!

Water penetrating the grinder can cause a short-circuit.

- Never immerse the grinder in water or any other liquids.
 - Never clean the grinder with a water jet.
 - Also ensure that no water or other liquids make their way into the casing.
-

NOTE!

Risk of damage!

Improper handling can cause damage to the grinder.

- Do not use any harsh cleaning products or any sharp or metallic cleaning objects such as knives, metal scouring pads and the like. These can scratch the surface.
 - Do not put the drip tray or the lid of the bean container into the dishwasher. These parts are not dishwasher-proof and the color may fade.
 - Do not lift the grinder by the bean container; lift only by the casing and always use both hands.
-

Cleaning the surface on which the grinder stands

1. Switch off the grinder and remove the power plug from the socket.
2. Lift the grinder by the casing with both hands and place on a clean surface.
3. Clean the installation surface and the underside of the grinder with a damp cloth and dry the surfaces.
The surfaces must be dry and free of oil and grease.
4. Place the grinder back onto the clean surface.

Cleaning the casing

1. Switch off the grinder and remove the power plug from the socket.
2. Wipe the housing and the drip tray **(8)** with a damp cloth as necessary, but at least once a week.
3. Carefully clean the outlet **(8)** with the brush **(22)**.

Cleaning the bean container



The bean container must be cleaned every day to remove any coffee oil residue, as this can have a negative effect on the taste. The manufacturer recommends using a bean container cleaner. For more information about the cleaner, visit www.dittingswiss.ch.

1. Lock the bean container **(1)** by pulling the sliding valve **(17)** forward.
2. Remove any remaining espresso beans from the bean container and pour these into another container for temporary storage.
3. Grind the espresso beans that remain in the grinding mechanism until the grinder runs idle.
4. Spray the bean container inside and out a few times with bean container cleaner.
5. Clean the bean container inside and out with a cloth and then dry the bean container.
6. Pour the espresso beans back into the bean container and open the sliding valve by pushing it back.

Cleaning the grinding mechanism



- The manufacturer recommends using GRINDZ™ grinder cleaner. For more information about GRINDZ™, visit www.dittingswiss.ch.
- The grinding mechanism should be cleaned every 2–5 days.

1. Close the sliding valve **(17)** by pulling it forwards and grind the espresso beans that remain in the grinding mechanism until the grinder runs idle.
2. Pour the remaining espresso beans into a different container.
3. When there are no more espresso beans in the bean container **(1)**, you can pour in the grinder cleaner. Adhere to the quantities indicated by the manufacturer of the grinder cleaner you are using.
4. Set the grinding degree to “10” (see the “Setting the grinding degree” section).
5. Place a bowl underneath the outlet **(8)** to collect the grinder cleaner.
6. Select Barista mode (see the “Using the grinder and setting the mode” section).
7. Press the start button **(12)** until the grinder cleaner has been completely ground.
8. Wipe out the bean container with a dry, lint-free cloth.
9. Pour the espresso beans back into the bean container.
10. Open the sliding valve by pushing it back.
11. Grind a quantity of espresso beans equal to the quantity of grinder cleaner used in order to remove any leftover cleaning particles. Set the grinding degree to the desired setting during the grinding process.
12. Dispose of the ground grinding cleaner and the ground espresso beans in the commercial/domestic waste.


Troubleshooting

Problem	Cause	Remedy
The grinder is humming but not grinding.	<ul style="list-style-type: none"> • The outlet is clogged. 	<p>→ Change the grinding degree setting to “10” and start the grinding process. The grinder will clear itself. Then adjust the grinding degree setting to the grinding degree required during operation.</p>
	<ul style="list-style-type: none"> • Ground coffee has built up in the grinder because of overfilling the portafilter. 	<p>→ Clean the outlet from the outside with the brush while the grinder is switched off. Change the grinding degree setting to “10” and start the grinding process. The grinder will clear itself. Then adjust the grinding degree setting to the grinding degree required during operation.</p>
	<ul style="list-style-type: none"> • The grinding degree is too fine. 	<p>→ Change the grinding degree setting to “10” and start the grinding process. The grinder will clear itself. Then adjust the grinding degree setting to the grinding degree required during operation. If the problem continues, contact your supplier at the address provided in the “Service” section.</p>

Problem	Cause	Remedy
	<ul style="list-style-type: none"> • A foreign object is in the grinding mechanism. 	<p>→ Clean the grinding mechanism as described in the “Cleaning” section and remove the foreign object at the same time. If the foreign object cannot be removed, contact your dealer at the address provided in the “Service” section.</p>
<p>The grinder is not grinding, the display lights up, the grinding mode is pre-selected.</p>	<ul style="list-style-type: none"> • The grinding time is set to 0. • The maximum permitted operating cycle has been exceeded. 	<p>→ Reset the grinding time.</p>
<p>The grinder does not start up, the display does not light up.</p>	<ul style="list-style-type: none"> • The power plug is not plugged into a socket. • The release button/thermal overcurrent circuit breaker has been triggered. 	<p>→ Insert the power plug into a properly installed wall socket.</p> <p>→ Check whether the circuit breaker release button has popped out. Push it back in if necessary. If the switch pops out repeatedly, contact your dealer at the address provided in the “Service” section.</p>

Problem	Cause	Remedy
	<ul style="list-style-type: none"> The electric fuse has tripped. 	<ul style="list-style-type: none"> → Check the electric fuse. Return it to its original state or replace it. Check whether other loads are connected to this fuse and if so, pull their plugs. If the fuse trips repeatedly, contact your dealer at the address provided in the “Service” section.
<p>The grinder’s dispensing accuracy is decreasing.</p>	<ul style="list-style-type: none"> The outlet is clogged. Too much ground coffee has built up in solid form inside the grinder. The integrated grinder outlet is damaged. The flapper is faulty. 	<ul style="list-style-type: none"> → Clean the outlet from the outside with the brush while the grinder is switched off. Change the grinding degree setting to “10” and start the grinding process. The grinder will clear itself. Then adjust the grinding degree setting to the grinding degree required during operation. → Contact your supplier at the address provided in the “Service” section. → Contact your supplier at the address provided in the “Service” section.
<p>The grinder is not grinding finely enough.</p>	<ul style="list-style-type: none"> The grinding discs are worn out. 	<ul style="list-style-type: none"> → Contact your supplier at the address provided in the “Service” section.

Problem	Cause	Remedy
	<ul style="list-style-type: none"> The grinding degree fine adjustment requires servicing. 	<ul style="list-style-type: none"> → Contact your supplier at the address provided in the “Service” section.
The display is showing “Service”.	<ul style="list-style-type: none"> The display is not receiving all of the data required. 	<ul style="list-style-type: none"> → Contact your supplier at the address provided in the “Service” section.
The time setting on the display changes automatically when setting the grinding quantity.	<ul style="list-style-type: none"> The rotary controller is defective. 	<ul style="list-style-type: none"> → Contact your supplier at the address provided in the “Service” section.
The grinder does not start up, the display shows “Temp.”.	<ul style="list-style-type: none"> The temperature sensor in the motor is defective. The processor board is defective. 	<ul style="list-style-type: none"> → Contact your supplier at the address provided in the “Service” section. → Contact your supplier at the address provided in the “Service” section.
The grinder does not start up, the display shows “OPEN”.	<ul style="list-style-type: none"> The lid is open. The lid safety switch is defective. 	<ul style="list-style-type: none"> → Close the lid. → Contact your supplier at the address provided in the “Service” section.
The grinder is out of control and cannot be switched off with the main switch.	<ul style="list-style-type: none"> The power supply unit is defective. 	<ul style="list-style-type: none"> → Contact your supplier at the address provided in the “Service” section.

Problem	Cause	Remedy
The display shows  .	<ul style="list-style-type: none">• The set limit for cleaning has been reached.	→ Clean the grinder as described in the “Cleaning” section.
The display shows “DISK”.	<ul style="list-style-type: none">• The grinding disk wear limit has been reached.	→ Contact your supplier at the address provided in the “Service” section.

Technical data

Model:	KE640 Vario Air
Voltage / frequency:	100–120 V; 50/60 Hz 220–240 V; 50/60 Hz
Power:	680 W
Protection type:	IPX1
Protection class:	I ⊕
Fuse:	16 A-slow
Idle speed:	
50 Hz:	1420 rpm
60 Hz:	1640 rpm
Sound emission value:	
Idle:	55 dB
Grinding:	75 dB
Grinding capacity:	3.0–5.0 g/s*
Max. permitted operating cycle:	
100–120 V	6 seconds on/60 seconds off
220–240 V	4 seconds on/16 seconds off
Max. daily output, kg:	30
Dimensions (W × D × H), mm	240 × 550 × 320
Weight (net), kg:	13
Max. funnel filling quantity, kg:	1.5

*depending on the espresso beans and the selected grinding degree.

Disposal

Disposing of the packaging



Dispose of the packaging by correctly sorting the recyclable materials. Dispose of cardboard as waste paper and film as recyclable materials.

Disposing of the grinder



Used appliances may not be thrown into commercial/domestic waste! If you can no longer use your grinder, you are **legally obliged as a consumer to dispose of used appliances separately from commercial/domestic waste**, e.g. at a local collection point. This ensures that old appliances are recycled correctly and reduces the impact on the environment. For this reason, electrical appliances are labelled with the symbol opposite.

Maintenance and service

If service or maintenance is required, contact an authorized customer service center for Ditting products. Customer Service can answer your questions about repairing and maintaining your product and spare parts.

Exploded diagrams and information about spare parts are also available at:

www.dittingswiss.ch

www.dittingswiss.ch/retailers



Our application consulting team will be happy to help you with questions concerning our products and their accessories.

For all inquiries and spare parts orders, please be sure to include the article and serial number as stated on the grinder type plate.

The version of the grinder is displayed when you switch it on.

Please give this to your supplier when requesting servicing.

1 | EG KONFORMITÄTSERKLÄRUNG EU DECLARATION OF CONFORMITY

DE | EN

- 2| Diese EG-Konformitätserklärung wurde in alleiniger Verantwortung von Hemro International AG ausgestellt.
This declaration of conformity is issued under the sole responsibility of Hemro International AG.
- 3| Hersteller: Hemro International AG
Manufacturer: Länggenstrasse 34
CH-8134 Bachenbülach, Schweiz
- 4| Produktbezeichnung: Espresso Kaffeemühle
Product designation: Espresso coffee grinder
- 6| Typenbezeichnung: K30 Vario Air
Type: KE640 Vario Air
- 7| Der oben beschriebene Gegenstand der Erklärung erfüllt folgende Richtlinien, Verordnungen und Normen.
The object of the declaration described above is in conformity with the following directives, regulations and standards.
- 8| Nummer, Beschreibung: 8a| 2006/42/EG Maschinenrichtlinie
Number, Description: **2006/42/EC Machinery Directive**
8b| 2014/35/EG Niederspannungsrichtlinie
2014/35/EU Low Voltage Directive
8c| 2014/30/EG EMV Richtlinie
2014/30/EU Directive relating to electromagnetic compatibility
8e| 2011/65/EG RoHS-Richtlinie
2011/65/EU RoHS-Directive
8f| 2012/19/EG WEEE-Richtlinie
2012/19/EU WEEE-Directive
8g| 1907/2006/EG REACH-Verordnung
1907/2006/EU REACH-Regulation
8h| 1935/2004/EG Material mit Lebensmittelkontakt
1935/2004/EC Materials in contact with food
8i| 2023/2006/EG Herstellungspraxis für Materialien mit Lebensmittelkontakt
2023/2006/EC Good Manufacturing Practice (GMP)
- 9| Angewandte harmonisierte Europäische Norm: EN 60335-1:2012 + AC:2004 + A11:2014 + A13:2017
Applied harmonised European Standard: EN 60335-2-64:2000 + A1:2002
EN 62233:2008 + AC:2008
DIN EN 55014-1:2012
DIN EN 55014-2:2009
DIN EN 61000-3-2:2010
DIN EN 61000-3-3:2009
- 10| CE-Beauftragter für die technischen Unterlagen: Metin Makinaci Hemro International AG
CE-Representative for Technical Documents: Länggenstrasse 34
CH-8184 Bachenbülach, Schweiz
- 11| Ort, Datum: Bachenbülach, 2019-08-28
Place, Date:
- 12| Rechtsverbindliche Unterschrift: 
Legal signature: 
- 13| Ian Maimon
**Managing Director
Innovation & Technology**
- 14| Gilbert Zünd
**Managing Director
Operations**



	BG	CZ	DK	GR	ES	EST	IS
1	EU – Декларация за съответствие	EU – Prohlášení o shodě	EU-konformitetserklæring	Βεβαίωση συμμόρφωσης ΕΚ	Declaración de conformidad CE	EU – Vastavõetavate tootmis	IS samræmiðgæfing
2	Този Декларация за съответствие на ЕО е издадена на базата на самостоятелна отговорност на Hemro International AG.	Toto prohlášení o shodě s přílohou ES bylo vystaveno ve výhradní odpovědnosti společnosti Hemro International AG.	Denne EF-overensstemmelseerklæring er udstedt af Hemro International AG uden hensyn til pålæggelse af ansvar.	Η παρούσα βεβαίωση συμμόρφωσης ΕΚ εκδόθηκε με αποκλειστική ευθύνη της Hemro International AG.	Esta declaración UE de conformidad ha sido elaborada por Hemro International AG bajo su propia responsabilidad.	See ED vastavõetavate tootmis on välja antud ettevõtte Hemro International AG ainuvastuvel.	Hemro International AG ber alla löyðgað útgáfu þessarar EF-samræmiðgæfingar.
3	Производитель:	Выrobce	Producent:	Κατασκευαστής:	Fabricante:	Tootja:	Fræðslubúð:
4	Наименование на продукта:	Описание продукта:	Produktbeteggnelse:	Όνομασία προϊόντος:	Denominación del producto:	Toote nimetus:	Vöruslag:
5	Espresso мелница за кафе	Mlýnek na espresso	Espresso kaffiværn	Μύλος καφέ/κρίσπνο	Molino de café para espresso	Espresso kohviseki	Espresso kaffivorn
6	Тип:	Турвэ аснаванне:	Typbeteggnelse:	Μορφή:	Denominación del tipo:	Tuubitähis:	Gerðartípi:
7	Описание порока продукта в соответствии с требованиями стандарта:	Шортэ рэпартаў з'явіліся праблемы з апрацоўкай кавінаў, пацёртаў і лупы, а таксама з апрацоўкай кавінаў і лупы.	Der overtroede påvirkninger af produktet afviger fra de tekniske krav i direktivet, forordningen og normen.	Το ανεπιθύμητο φαινόμενο που αφορά τον καθαρισμό του καφέ και την επεξεργασία των κόκκων, παρατηρείται κατά τη λειτουργία.	El objeto de la declaración de conformidad es que las siguientes directivas, reglamentos y normas.	Esopas kehtivad deklaratsioonid ei ole kehtivad, kuna nad ei ole vastavalt direktiivide, määruste ja normidele.	Öngættning viðfarðingarnar er í samræmi við EY-álagningu, reglugerðunum og stöðlum.
8	Номер описания:	Сілка: Опиcание	Number: Beskrivelse	Αριθμός Περιγραφή	Number: Descripción	Number: nimetus	Number: Lýsing
8a	2006/42/EC Директива за уредите	2006/42/ES Smernice o strojih	2006/42/EF Masinidirektiv	2006/42/ΕΚ Οδηγία υα μηχανών	2006/42/CE Directiva de maquinaria	2006/42/EU Masinidirektiv	2006/42/EF tilskipun um vörubúð
8b	Директива за ниско напрежение	Smernice pro niske napajni	Lavspændingsdirektiv	Οδηγία για τα χαμηλά τάση	Directiva de baja tensión	Matalpingidirektiv	Lágþennuskiðslup
8c	2014/53/EU Директива за EMC	2014/53/ES Smernice o elektromagnetski kompatibilnosti (EMC)	2014/53/UE EMC-direktiv	2014/53/ΕΚ Οδηγία ΗΜΣ	2014/53/CE Directiva de CEM	2014/53/EU EMC direktiv	2014/53/EB tilskipun um rafsegulþolnarmati
8e	2011/65/EU Директива за ограничение на употреблениа на определени опасни вещества в играчките	2011/65/ES Smernice RoHS	2011/65/EC Direktiv om begrænsning af anvendelsen af visse farlige stoffer i elektrisk og elektronisk udstyr	2011/65/ΕΚ Οδηγία RoHS	2011/65/CE Directiva RoHS	2011/65/EB RoHS-direktiv	2011/65/EB tilskipun um takmörkun á notkun tiltekna hættulegra efna í raf- og rafstöðuáætlaðum (RoHS)
8f	Регламент WEEE (за изваждане от употреба електрически и електронни оборудвания)	Smernice OZEZ	WEEE-direktiv	Οδηγία για τα ΑΠΗΕ	Directiva WEEE	Eliðitortfarinnmála direktiv	Tilskipun um raf- og rafstöðuáætlaðar þing
8g	Регламент REACH (за регистрация, оценка, разпознаване и ограничаване на опасностите от химични вещества)	Náttúru REACH	REACH-forordning	Κατευθυντήρια REACH	Reglamento REACH	REACH-máttar	REACH-reglugerð
8h	Материалите са в контакт с хранителни продукти.	Материалите са в контакт с хранителни продукти.	Materialer i kontakt med fødevarer	Υλικά σε επαφή με τροφή	Material en contact con alimentos	Toiduga kokkupuudet toiduga	Eftir eða kemt í snertingu við matvæli
8i	Продуктите влизат в контакт с хранителни продукти.	Употребяват се в контакт с хранителни продукти.	Fremtillingsprosessin for materiale med fødevarer i direktekontakt	Παραγωγή υλικών που έρχεται σε επαφή με τροφή	Proceso de producción para materiales en contacto con alimentos	Toiduga kokkupuutavate tootmisprotsessid	Fræðslubúðir eru í snertingu við matvæli
9	Продуктите хармонизирани европейски на норма:	Proizidi har monizirani evropskâ normâ:	Amended harmonized European norm:	Εφαρμοσμένο Ευρωπαϊκό Πρότυπο: norma	Norma europea armonizada aplicadas.	Ühildatud Euroopa standard: Europeustabiil	Vikigætt: samþætbar Evrópuálagningu
10	CE-лицензиация за техническа документация:	Авторизация о соба CE про техничке документаци:	CE-marking for technical documents:	Επιτρεπόμενα CE για τεχνικά έγγραφα:	Encargada CE para documentación técnica.	Tehnillise dokumentatsioon eest vastutav E-i vormik:	CE-álagningarálf fyrir tæknilögga: Evrópuálagningu
11	Место, дата:	Место, Датум:	Sted, dato:	Πόλη, ημερομηνία:	Lugar y fecha:	Kohi, kuupäev:	Staður og dagsetning:
12	Правно одобряващ поддас:	Правно одобряващ поддас:	Juridisk bendeende sberft:	Νομικά Σφραγισμένη υπογραφή:	Firma legittimata vincente:	Õigustusbit sidav allkirj:	Þagginga skuldbundandi undirskrift:
13	Изменил директор Иновации & технологи:	Укључени изменил директор Иновације и технологије:	Managing Director Innovation & Technology	Managing Director Innovation & Technology	Director General Innovación y Tecnología	Innovatsiooni- ja tehnoloogiasõnaga juht	Fræðslubúðir og nýsköpunar og tæknivæðing
14	Изменил директор Работи действия:	Укључени изменил директор Работи действия:	Managing Director Operations	Managing Director Operations (Ευρωπαϊκή Επιχειρηματική Συμβουλή)	Director General Operations	Tegusvõtte juht	Fræðslubúðir og rektorsvæðing



Hemro International AG

Länggenstrasse 34 | 8184 Bachenbülach, Switzerland

T: +41 44 864 18 00 | F: +41 44 864 18 01

info@hemrogroup.com | www.hemrogroup.com