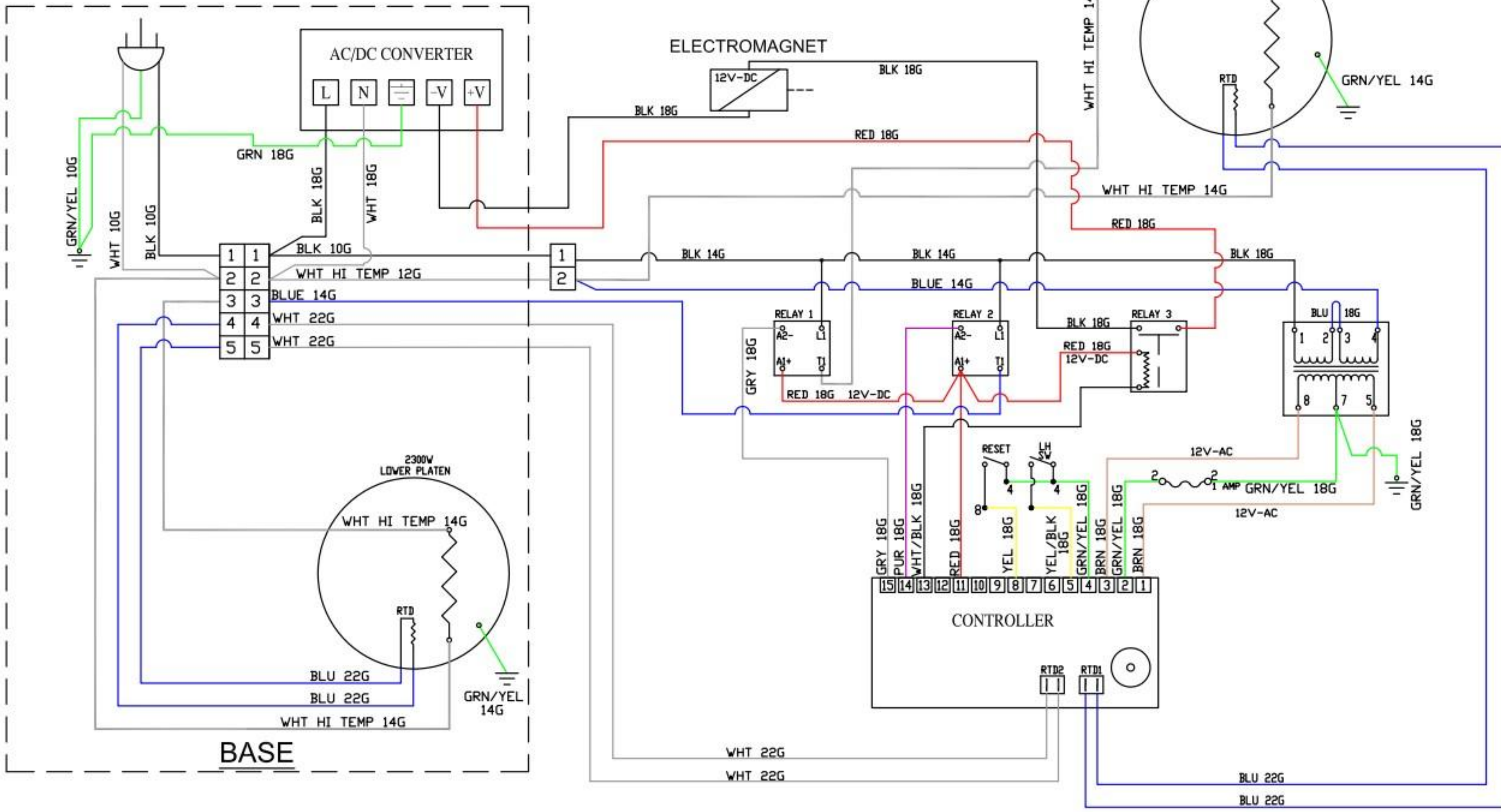


MASTER COPY
Date 04/10/17

VAC: 208 VAC
AMPS: 22.12A
WATTS: 4600W

PROLUXE
DP2010 WIRE DIAGRAM

ARM



BASE

CONTROLLER