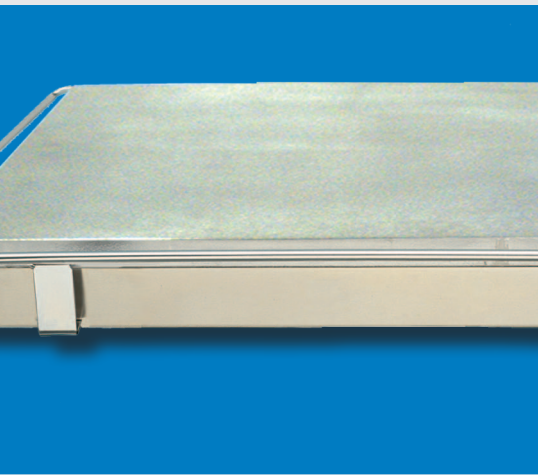


# Operations Manual

Model: TW15202

Tortilla Warming Flat Grill



**PROGRILL™**



**PROLUXE™**

formerly DOUGHPRO. New Name. Same Quality. Superior Service.

[proluxe.com](http://proluxe.com)

## **CLEANING**

Use only cleaners which are safe for **ALUMINUM**. **DO NOT** use caustic cleaners, ice or cold water to clean the grill. Turn grill down or OFF during idle periods to prevent carbon buildup.

1. Turn power off and unplug, allow grill to cool.
2. Remove particles by using a spatula with rounded corners.
3. Wipe down all surfaces using a warm damp cloth and mild detergent.

## **CARBON CLEANING**

When carbon buildup occurs, use a carbon removal agent which is safe for aluminum, follow the instructions provided with the product. When this process is complete, you must re-season your grill.

## **INITIAL START UP**

Before using the unit for the first time, wipe down the exterior and platen area with a damp cloth.

Heat for approximately 30 minutes. The warmer may emit a small amount of smoke as the cooking surface reaches its operating temperature. This is normal, as the smoke is caused by oils associated with the manufacturing process and will stop when the burn off is complete. Brush off any debris from the warming surface.

## **SEASONING THE TORTILLA GRILL HEATING SURFACE**

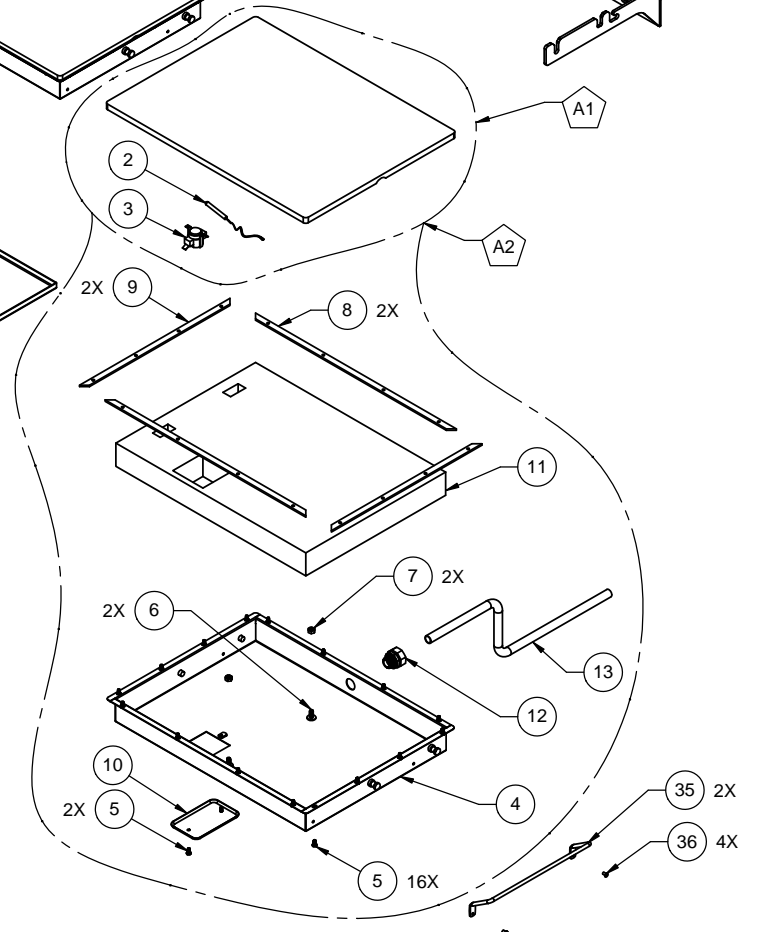
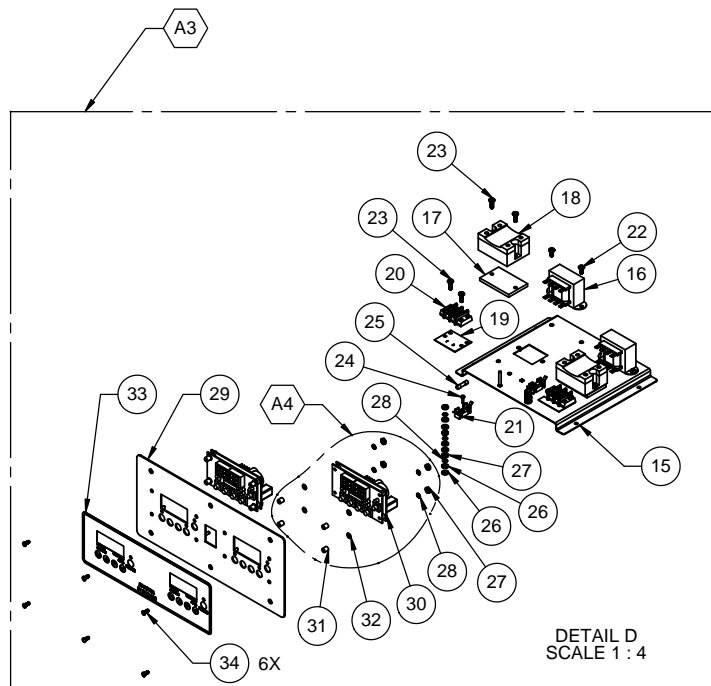
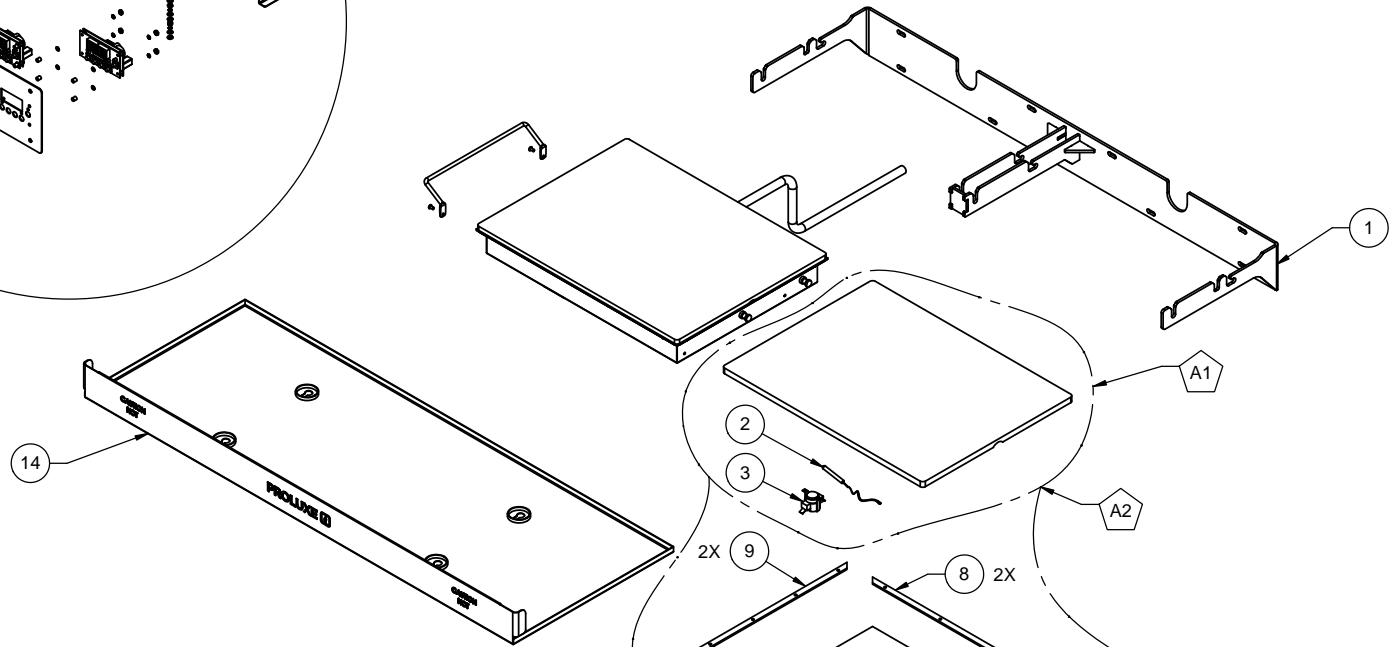
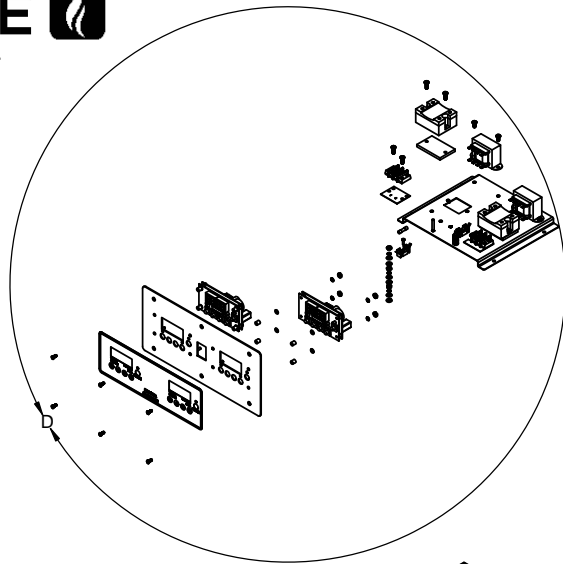
### **FIRST TIME SEASONING**

Follow your company/corporate guidelines for seasoning cooking surfaces or perform the following:

1. Bring the grill to 300°F (148°C) and leave it on while performing the next three steps.
2. Brush the cooking surfaces with a release agent. If using an aerosol agent, first apply into a cup and then brush onto cooking surface.
3. Let sit for 20 minutes.
4. Wipe the cooking surface clean, using a warm damp cloth.

## **\*Warning\***

**DO NOT SUBMERGE IN WATER OR ALLOW WATER TO SPILL INTO THE ELECTRICAL HOUSING. AS THIS WILL VOID WARRANTY AND DAMAGE THE UNIT.**



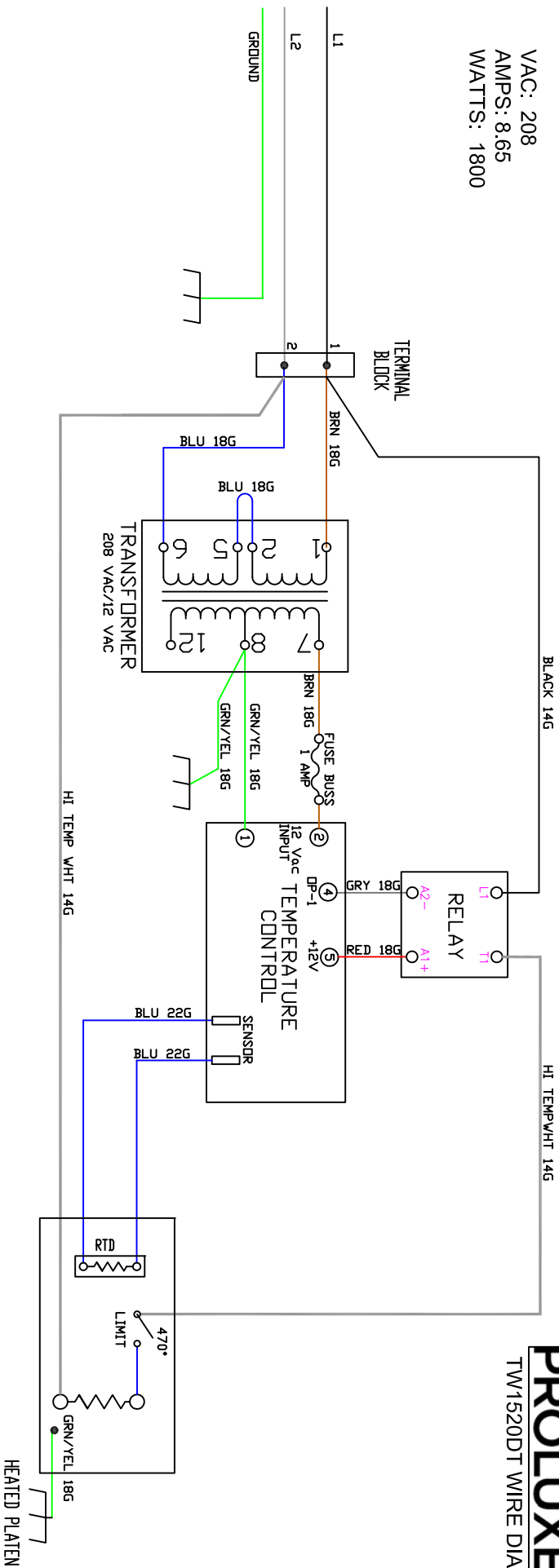
**ECO PENDING**  
Date 02/24/16  
ECO #2907

**MASTER COPY**  
Date 01/25/16

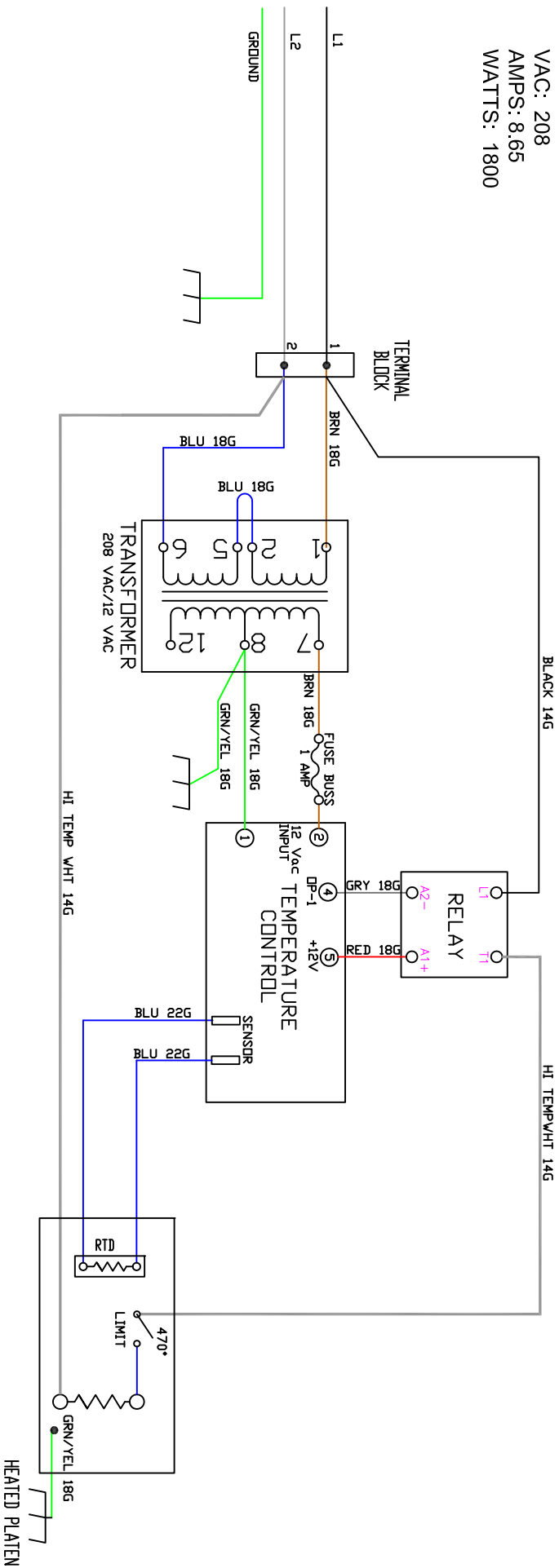
## PART LIST FOR THE TW15202DT

ITEM NO.	PART NUMBER	DESCRIPTION	208VQ TY.
1	11018283806	MTG. BRACKET ASSY	1
2	<a href="#">11018283818</a>	2000 OHM RTD STRAIGHT	2
3	<a href="#">110812046</a>	LIMITER, HI-TEMP. 470 F	2
4	11018283805	HOUSING WELDING ASSY	2
5	<a href="#">SP83238S</a>	SCREW, PAN HEAD PHILLIPS 8-32X 3/8 STAINLESS STEEL	36
6	ST1420114	SCREW, THUMB 1/4-20 X 1 1/4	4
7	NHSL1420	NUT, HEX SELF LOCKING 1/4-20	4
8	11018283815	INSULATION STRIP FLEX WRAP 20"	4
9	11018283816	INSULATION STRIP FLEX WRAP 15"	4
10	<a href="#">110108651</a>	ACCESS PANEL COVER	2
11	11018283808	TW15202DTE INSULATION	2
12	<a href="#">CC9794</a>	CONNECTOR, CONDUIT 1/2"	2
13	11016938802	CONDUIT, FLEX 1/2" ID.	2
14	11018283809	SHROUD, BURN GUARD / PAN	1
15	11018283817	MOUNTING BRACKET, ELECTRICAL COMP.	1
16	<a href="#">11096975</a>	TRANSFORMER	2
17	<a href="#">11057322</a>	MOUNTING PLATE, RELAY	2
18	<a href="#">MPR90217</a>	RELAY, SOLID STATE	2
19	<a href="#">MS6012</a>	MARKER STRIP #2	2
20	<a href="#">6012</a>	TERMINAL BLOCK #2, DOUBLE	2
21	<a href="#">MPPF708</a>	FUSE HOLDER 1 AMP	2
22	<a href="#">SP83238</a>	SCREW, PHILLIPS PAN HEAD 8-32 X 3/8	4
23	<a href="#">SP83212</a>	SCREW, PAN HEAD PHILLIPS 8-32 X 1/2	8
24	SP44038	PHILLIPS SCREW 4-40 x 3/8	2
25	<a href="#">MPPF701R</a>	FUSE BUSS 1 AMP	2
26	<a href="#">WSAE6</a>	WASHER SAE #6	12
27	<a href="#">NH632</a>	NUT, HEX 6-32	14
28	<a href="#">WLIT6</a>	WASHER, INTERNAL TOOTH LOCK #6	13
29	11018283812	FACIA PLATE ASSY	1
30	<a href="#">11096905211</a>	DIGITAL CONTROL	2
31	<a href="#">110969111</a>	NYLON SPACER, 1/4 X .141 X 9/32 LONG	8
32	<a href="#">311150019</a>	WASHER, STEEL	8
33	OTW15202	OVERLAY, TW15202	1
34	SOS63238S	SCREW, OVAL HEAD SLOTTED, 6-32 X 3/8 STAINLESS	6
35	11018283810	BURN GUARD, SIDE	2
36	<a href="#">RPR53214S</a>	RIVET	4
A1	11018283803208K	TW1520, HEATER PLATEN WITH WIRING	2
A2	11018283803208AK	HEATED PLATEN ASSEMBLY	2
A3	11018283807	ELECTRICAL COMPONENT ASSEMBLY	1
A4	110969111K	DIGITAL CONTROL ASSEMBLY	2

VAC: 208  
 AMPS: 8.65  
 WATTS: 1800



VAC: 208  
 AMPS: 8.65  
 WATTS: 1800



## Warranty & Return Policy

**Proluxe** warrants all products manufactured by it against defects in workmanship or materials from the date of purchase for a period of (1) year on parts and **labor**. **This warranty applies to only equipment purchased and used in the United States.** Warranty period shall begin when equipment ships. Warranty travel shall only be covered for 60 miles. Limited lifetime warranty on heating elements.

**ALL WARRANTY SERVICE CALLS MUST BE APPROVED BY PROLUXE. IF THIS PROCEDURE IS NOT FOLLOWED, WARRANTY SERVICE WILL NOT BE COVERED. WARRANTY SERVICE WILL BE PAID ON STRAIGHT TIME, OVERTIME WILL NOT BE COVERED.**

### **Exclusions:**

- 1. WOOD / GAS FIRED OVENS:** PROLUXE warranty applies to the main body of the oven being steel / refractory and insulation shall be free from defects in materials and workmanship for a period of four years from the date of purchase. The gas equipment shall be free from defects in materials and workmanship for a period of one (1) year from the date of purchase. Lifetime warranty against cracks on oven floor.
- 2. Air compressors are excluded from this warranty,** but PROLUXE may act as a warranty expeditor in certain instances regarding these compressors. The air compressor manufacturer provides a limited warranty and a copy of this warranty is furnished with all compressors sold by PROLUXE. For prompt handling of compressor warranty claims the instructions of the compressor manufacturer must be adhered to.
- 3. Equipment built to special order as well as accessories** cannot be canceled and are not returnable unless defective within the terms of this warranty.
- 4. In no event shall PROLUXE be liable for consequential damages arising out of the failure of any of its products if operated improperly or caused by normal wear or damage by operator abuse.**
- 5. BC2325 pedestal warranty disclaimer:** Pedestals shall only be covered under warranty if they have been cleaned using the factory approved cleaning method. cracked or damaged pedestals must be inspected by the factory before warranty is authorized.
- 6. Limited lifetime warranty on heating elements:** If replacement is needed, Proluxe will send the new part at no charge but **labor** will not be covered unless the unit is still under the 1 year manufacture warranty.

### **Returned Merchandise Policy:**

Should it become necessary to return any of the company's products, the following instructions must be adhered to: First, contact our customer service department for approval and a return authorization number. *Please have the serial number of your item available at that time.* All merchandise must be shipped *freight prepaid* by customer or service agency. Subject to the inspection of the product by the company, a restocking charge of 20% of the Net purchased price paid to PROLUXE will be assessed. Merchandise may not be returned for credit without *prior written approval* of PROLUXE. Collect shipments *will not* be accepted. No returns after 60 days of original shipment date on machines. Purchased parts may not be returned after 30 days.

If upon inspection by PROLUXE or its authorized agent it is determined the equipment has not been used in an appropriate manner, has been modified, or has not been properly maintained, or has been subject to misuse, misapplication, neglect, abuse, accident, unauthorized modification, damage during transit, delivery, fire, flood, act or war, riot or act of God, then this warranty shall be deemed null and void.

### **Terms & Conditions:**

1. Prices indicated in the PRICE LIST are suggested retail prices and are shown in U.S. DOLLARS.
2. Terms of Payment: 1% 10 days, NET 30 days.
3. **NEW ACCOUNTS:** Satisfactory credit information must be provided before open account status can be extended. Unless agreed otherwise, all shipments will be made C.O.D., CASH IN ADVANCE.
4. **PRICING:** Prices, specifications, model numbers, capacities and accessories are subject to change without notice.
5. **FREIGHT / ROUTING:** Method of shipment will be determined by PROLUXE unless otherwise advised by PURCHASER.
6. **DAMAGED CLAIMS:** All merchandise shipped at purchaser's risk. Inspection must be made by purchaser at time goods are received. If goods are damaged, the PURCHASER shall request that the agent of the transportation company make a written notation on the proper shipping documents immediately and then file a claim for damage. **GOODS DAMAGED IN SHIPMENT ARE NOT RETURNABLE.**
7. **RETURNS:** Machines may not be returned after 60 days. Purchased parts may not be returned after 30 days. A restocking fee of 20% will be assessed on non-warranty returns.
8. **TAXES:** Prices indicated herein DO NOT include State, Federal, Local or foreign taxes or duties, nor do they include fees, permits, insurance or other levies, all of which are the responsibility of the purchaser.
9. All orders are subject to acceptance by PROLUXE.
10. Possession of this price list shall not be considered an offer to sell.