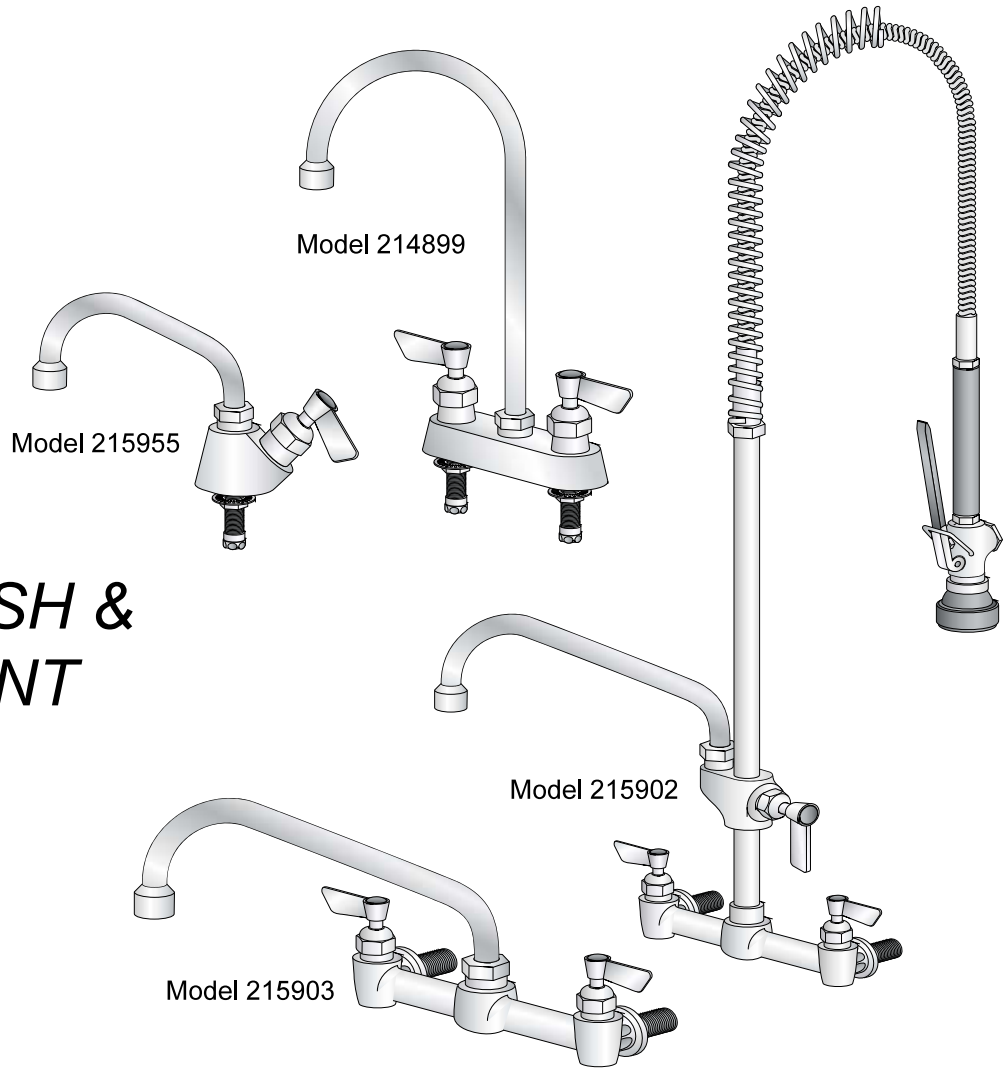




"Your Solutions Partner"

Illustrated Parts List



BACKSPLASH & DECK MOUNT FAUCETS

MODELS

214899	215901
215902	215903
215904	215955
225931	

*This manual is Copyright © 2018 Duke Manufacturing Co. All rights reserved.
Reproduction without written permission is prohibited. Duke is a registered
trademark of the Duke Manufacturing Co.*

Duke Manufacturing Co.

2305 N. Broadway • St. Louis, MO 63102

800.735.3853 • 314.231.1130

Fax: 314-231-5074

www.dukemfg.com

How to Determine Manufacture Date from Duke Equipment Serial Numbers

All units currently manufactured in St. Louis and Sedalia, Missouri (After 2/1/2013):

08 03 0202

(Example: 08030202 = Indicates the unit was manufactured in August of 2003)

Units Manufactured in St. Louis, Missouri (Before 2/1/2013):

30 IF AA 0123

<p><u>Unit Identification</u></p> <p>10 = 5/9 20 = 6/13 & E-Series 30 = 6/18 & 3/9 90 = FBB 94 = FWM 95 = IRHU 99 = Dry Channel</p> <p><u>Year of Manufacture</u></p> <p>A = 1 B = 2 C = 3 D = 4 E = 5 F = 6 G = 7 H = 8 I = 9 J = 0</p>	<p><u>Sequential Number</u></p> <p><u>Month of Manufacture</u></p> <p>JA = January JB = February JC = March JD = April JE = May JF = June JG = July JH = August JI = September AJ = October AA = November AB = December</p>
---	--

(Examples)

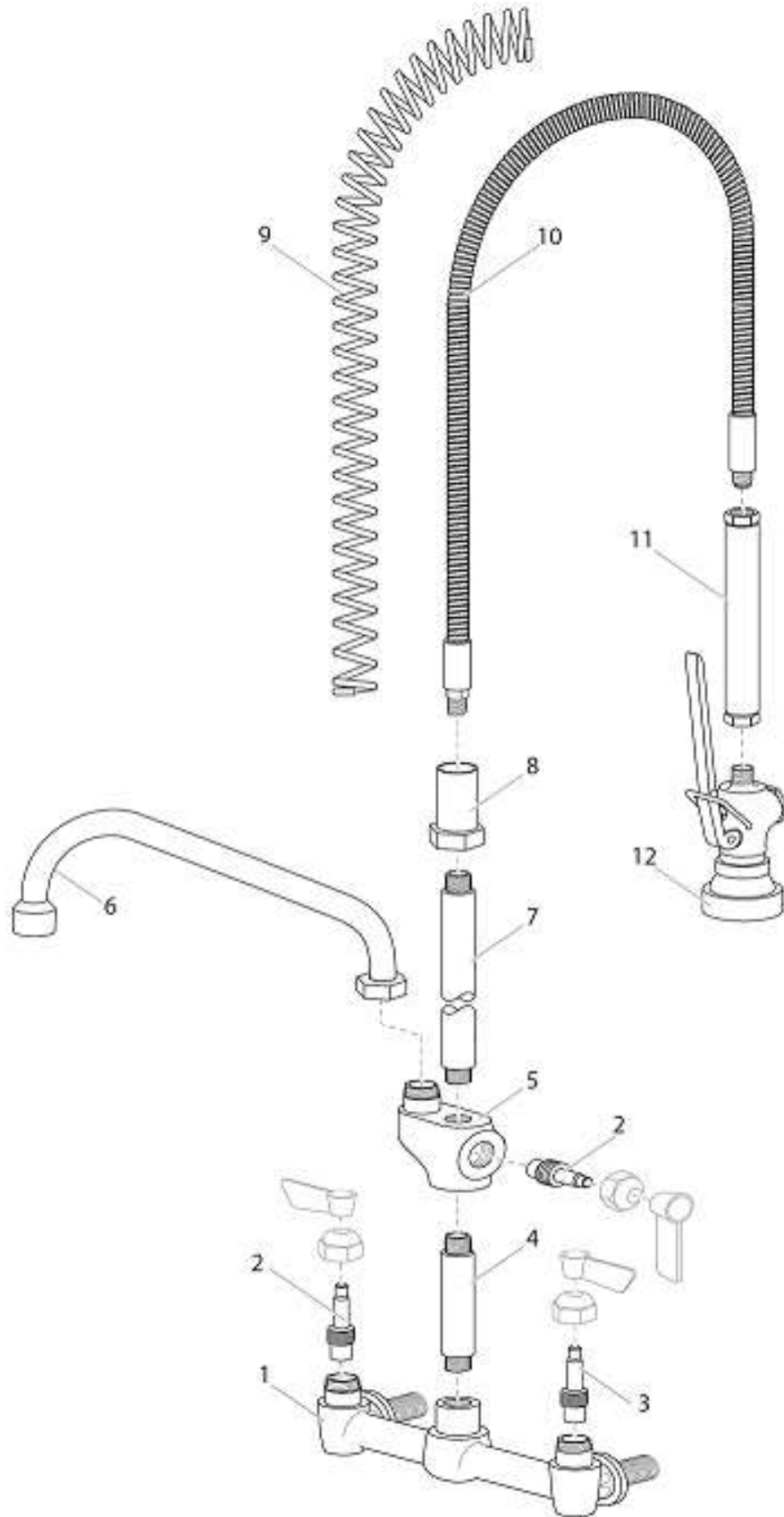
(JJ = 2000)
 (JA = 2001)
 (JB = 2002)

TABLE OF CONTENTS

MODELS 215901 & 215902 (WITH SOAP TEE) BACKSPLASH PRE-RINSE UNITS	4
MODELS 215903 (12") & 215904 (14") BACKSPLASH FAUCETS	6
MODEL 214899 DECK MOUNT GOOSENECK FAUCET	7
MODEL 215955 DECK MOUNT SINGLE FAUCET	8
MODEL 225931 ELECTRONIC, AUTOMATIC FAUCET	9

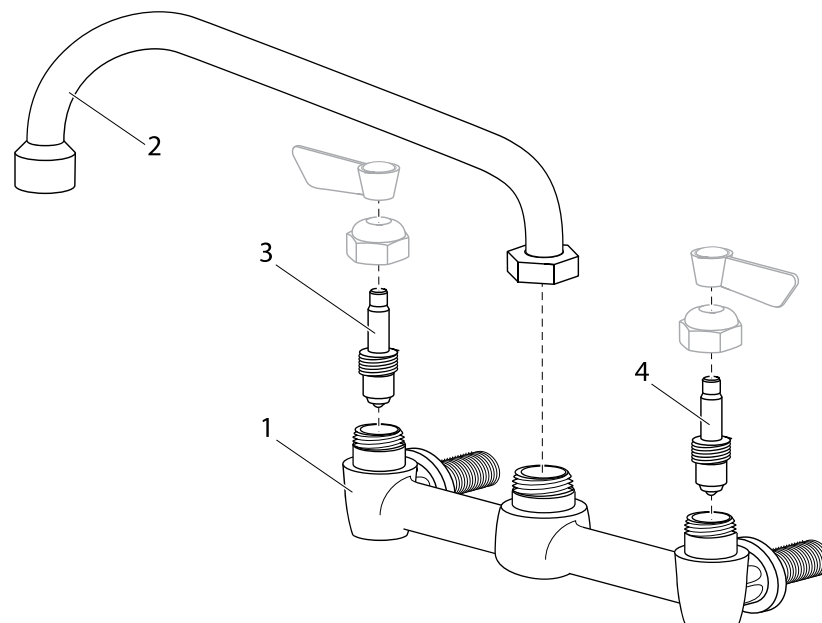
**MODELS 215901 & 215902 (WITH SOAP TEE)
BACKSPLASH PRE-RINSE UNITS**

ITEM	PART NO.	DESCRIPTION	QTY.
1	225923	BODY	1
Not shown	225910	BODY W/SOAP T	1
2	225919	STEM, HOT & ADD-ON STEM	2
3	225920	STEM, COLD	1
4	225911	RISER, 4-1/2"	1
5	225916	BODY, FAUCET ADD-ON	1
6	225917	SPOUT	1
7	225924	RISER, 21"	1
8	225912	ADAPTER, SPRING STOP	1
9	225913	SPRING	1
10	225914	HOSE	1
11	225915	HANDLE	1
12	225918	VALVE, SPRAY	1



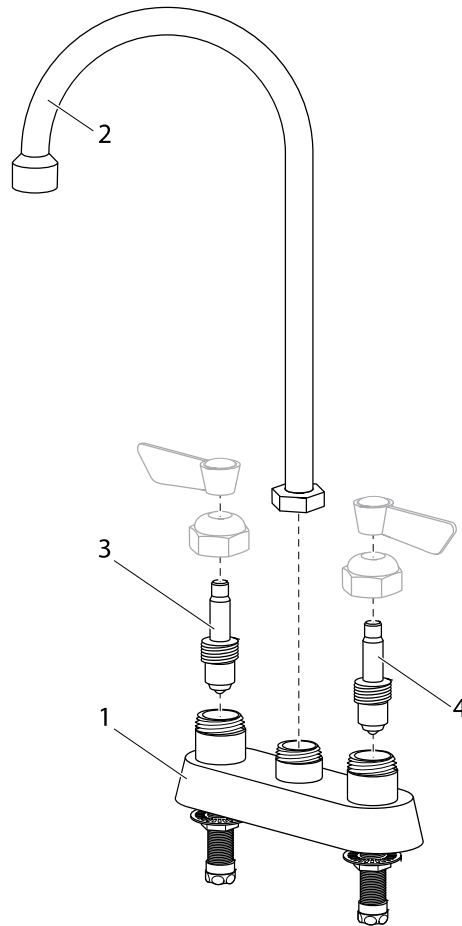
MODELS 215903 (12") & 215904 (14") BACKSPLASH FAUCETS

ITEM	PART NO.	DESCRIPTION	QTY.
1	225921	BODY	1
2	225917	SPOUT, 12"	1
	225922	SPOUT, 14"	1
3	225908	STEM, HOT	1
4	225909	STEM, COLD	1



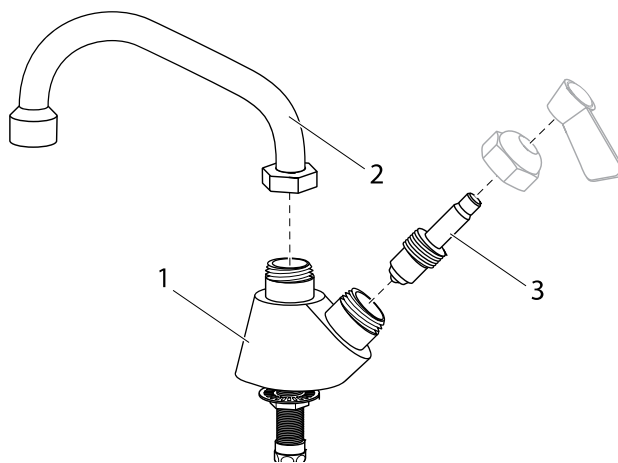
MODEL 214899 DECK MOUNT GOOSENECK FAUCET

ITEM	PART NO.	DESCRIPTION	QTY.
1	225906	BODY	1
2	225907	SPOUT	1
3	225908	STEM, HOT	1
4	225909	STEM, COLD	1



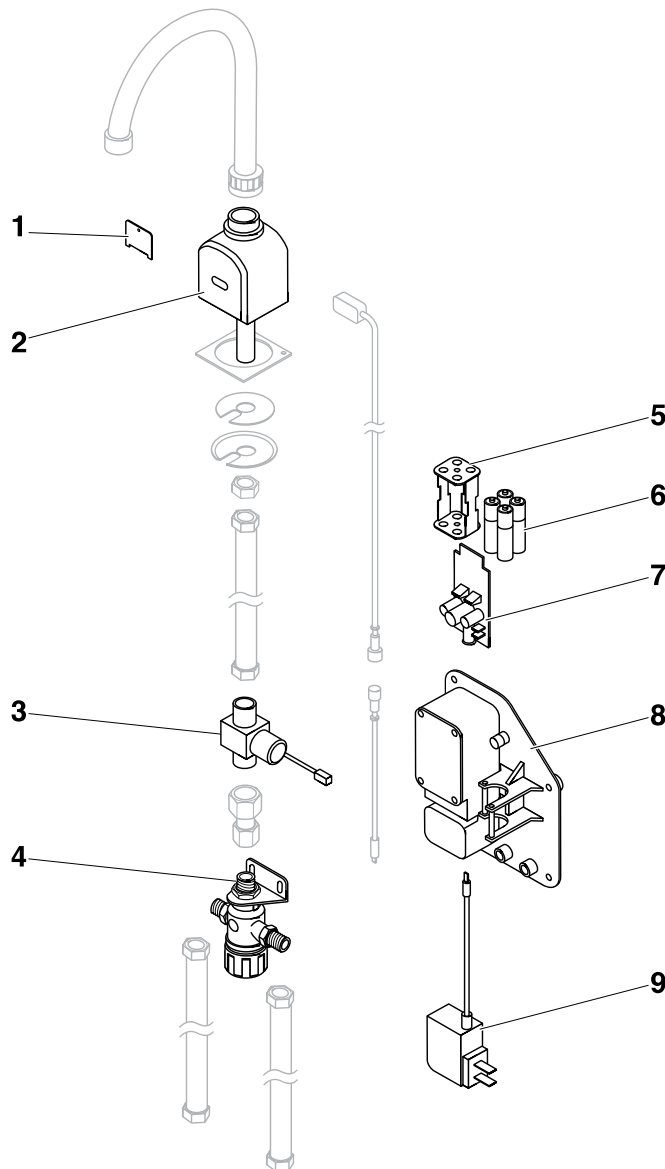
MODEL 215955 DECK MOUNT SINGLE FAUCET

ITEM	PART NO.	DESCRIPTION	QTY.
1	225903	BODY	1
2	225904	SPOUT	1
3	225909	STEM, COLD	1



MODEL 225931 ELECTRONIC, AUTOMATIC FAUCET

ITEM	PART NO.	DESCRIPTION	QTY.
1	527100	KEY FOR VANDAL-RESISTANT AERATOR – TAMPER-PROOF ONLY	1
2	527101	DECK MOUNT BODY ASSEMBLY, FOR SMALL SENSOR	1
3	527107	SOLENOID, ELECTRONIC FAUCET	1
4	527108	THERMOSTATIC MIXING VALVE	1
5	527102	BATTERY HOLDER	1
6	527103	BATTERY, AA 1.5V (4 PACK) – DC ONLY	1
7	527104	GEN. 2PCB BOARD, BELOW DECK	1
8	527105	BELOW DECK ENCLOSURE ASSEMBLY	1
9	527106	POWER ADAPTER, U.S., 9V, 800MA, UL – AC ONLY	1





Your Solutions Partner

Duke Manufacturing Company

**2305 N. Broadway
St. Louis, MO 63102
Phone: 314-231-1130
Toll Free: 1-800-735-3853
Fax: 314-231-5074
www.dukemfg.com**