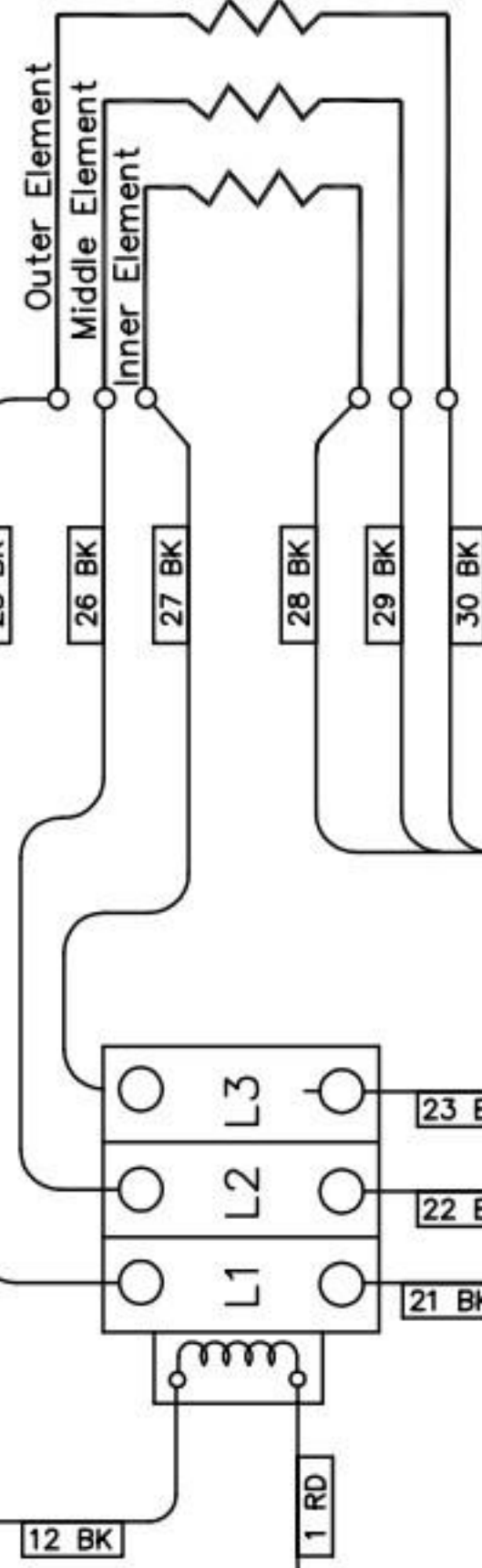


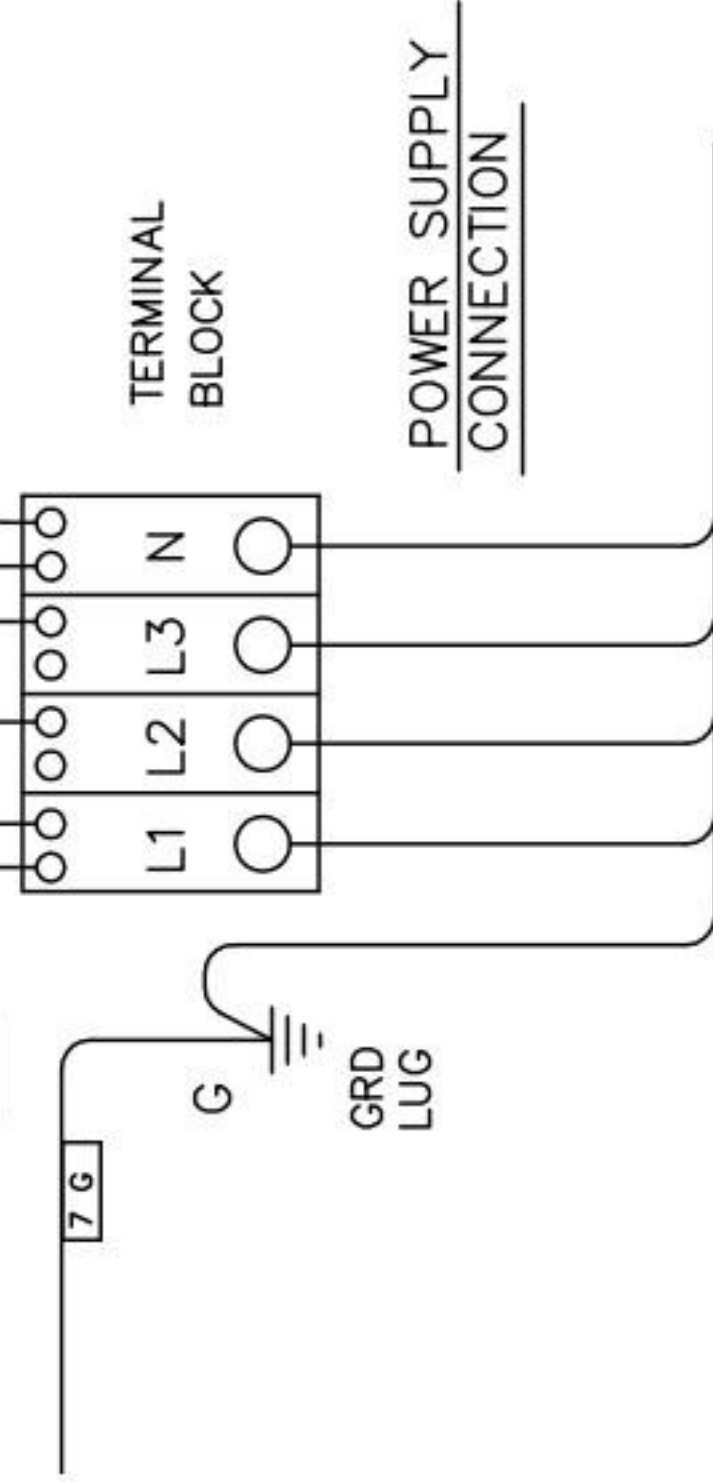
3 POLE MD 50A.
CONTACTOR
208/240V. COIL

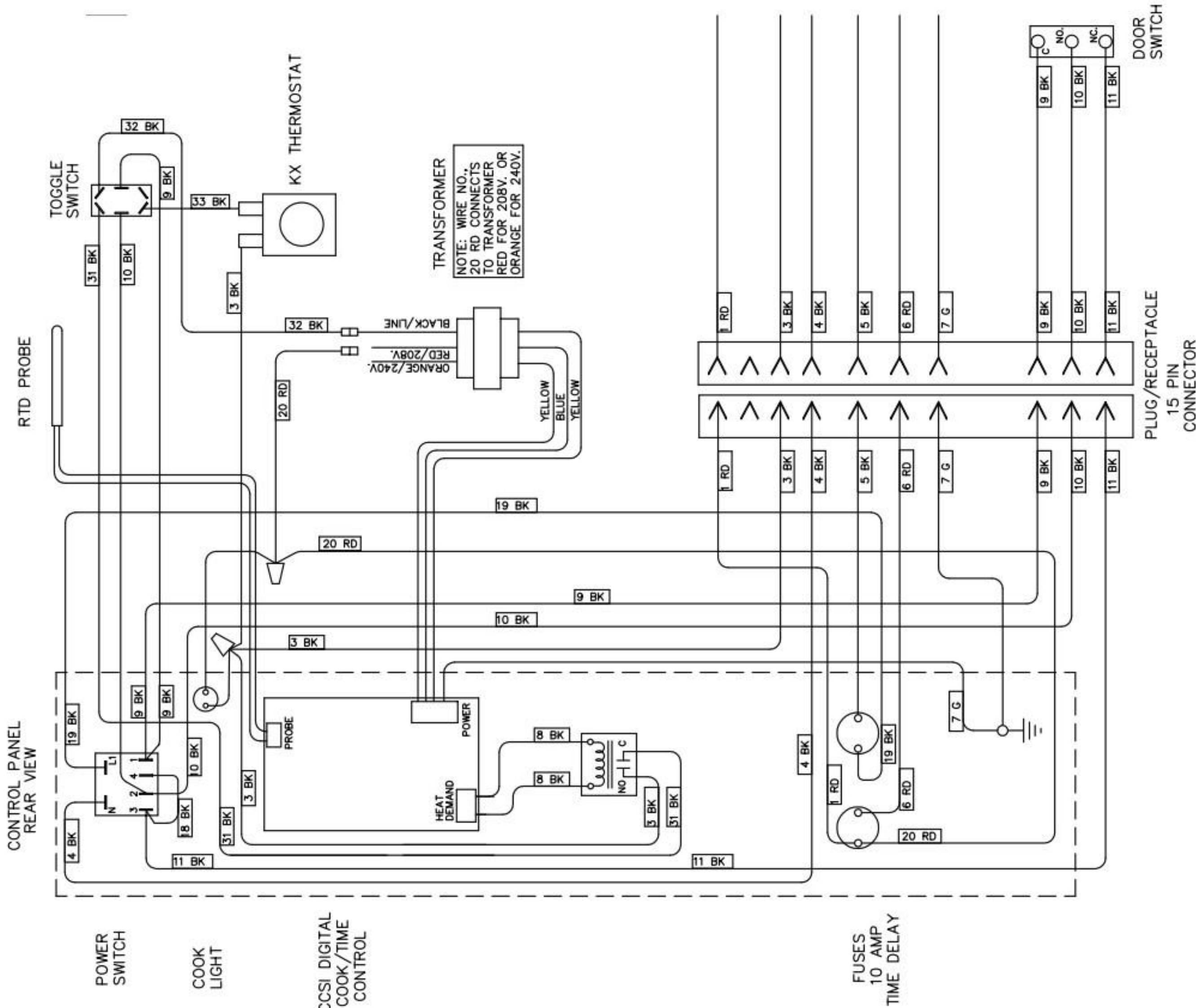
ELEMENTS 3 PHASE CONNECTION



WIRE COLOR CODE

BK - BLACK
RD - RED
W - WHITE
G - GREEN





CONTROL PANEL
REAR VIEW

POWER
SWITCH

COOK
LIGHT

CCSI DIGITAL
COOK/TIME
CONTROL

FUSES
10 AMP
TIME DELAY

PLUG/RECEPTACLE
15 PIN
CONNECTOR

DOOR
SWITCH

RTD PROBE

TOGGLE
SWITCH

KX THERMOSTAT

TRANSFORMER
NOTE: WIRE NO.
20 RD CONNECTS
TO TRANSFORMER
RED FOR 208V, OR
ORANGE FOR 240V.

BLACK/LINE
RED/208V.
ORANGE/240V.

YELLOW
BLUE
YELLOW

HEAT
DEMAND

NO
C

1 RD
6 RD
20 RD

7 G

C
NO.
NC.

9 BK
10 BK
11 BK

1 RD
3 BK
4 BK
5 BK
6 RD
7 G
9 BK
10 BK
11 BK

1 RD
3 BK
4 BK
5 BK
6 RD
7 G
9 BK
10 BK
11 BK

4 BK
11 BK
18 BK
31 BK
3 BK
10 BK
9 BK
9 BK
19 BK
31 BK
10 BK
32 BK
9 BK
32 BK

3 BK

20 RD

20 RD

3 BK

19 BK

10 BK

9 BK

11 BK

4 BK

9 BK

10 BK

11 BK

