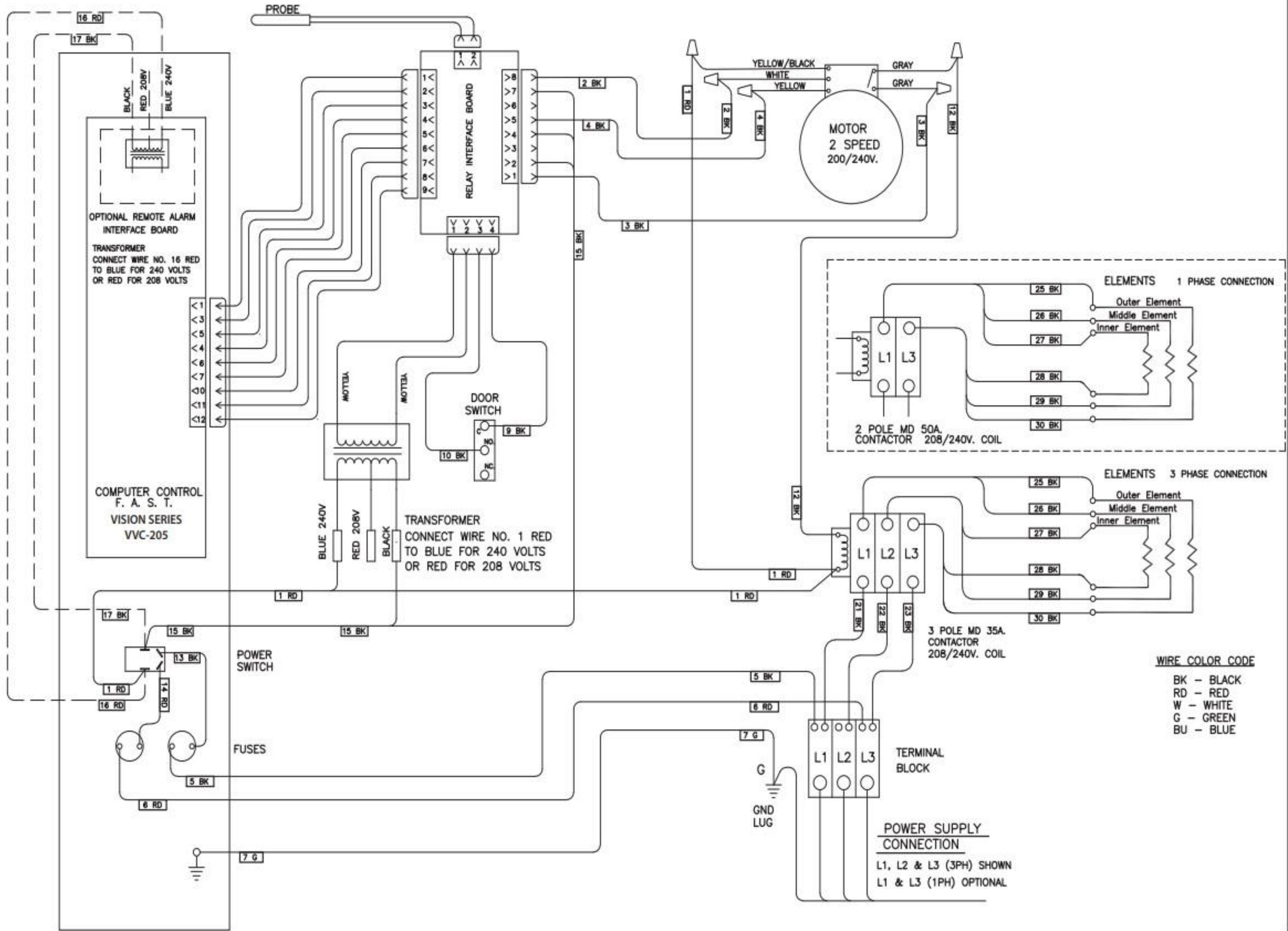


"ZZ" CONTROLLER WIRING SCHEMATIC

CONTROL PANEL
REAR VIEW



WIRE COLOR CODE
 BK - BLACK
 RD - RED
 W - WHITE
 G - GREEN
 BU - BLUE

POWER SUPPLY CONNECTION
 L1, L2 & L3 (3PH) SHOWN
 L1 & L3 (1PH) OPTIONAL