



Your Solutions Partner

Illustrated Parts List

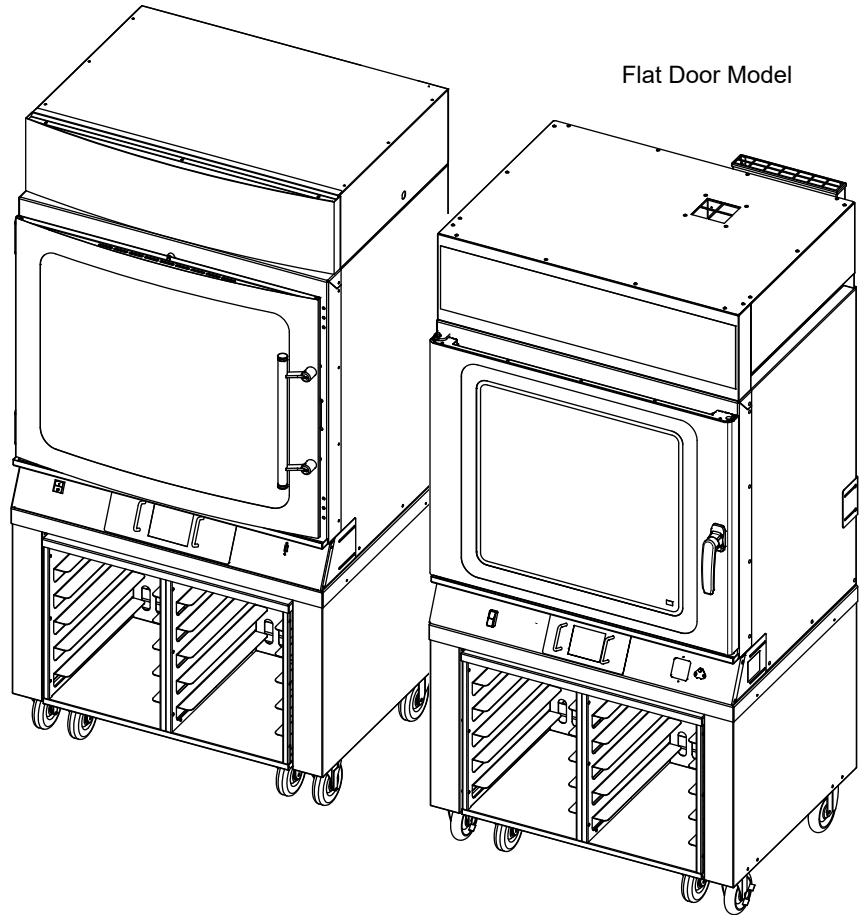
FLEXBAKE 5™ PROOF AND BAKE OVEN

MODELS

5R-DBPS

Curved Door Model

Flat Door Model



*This manual is Copyright © 2019 Duke Manufacturing Co. All rights reserved.
Reproduction without written permission is prohibited. Duke is a registered
trademark of the Duke Manufacturing Co.*

Duke Manufacturing Co.

2305 N. Broadway • St. Louis, MO 63102

800.735.3853 • 314.231.1130

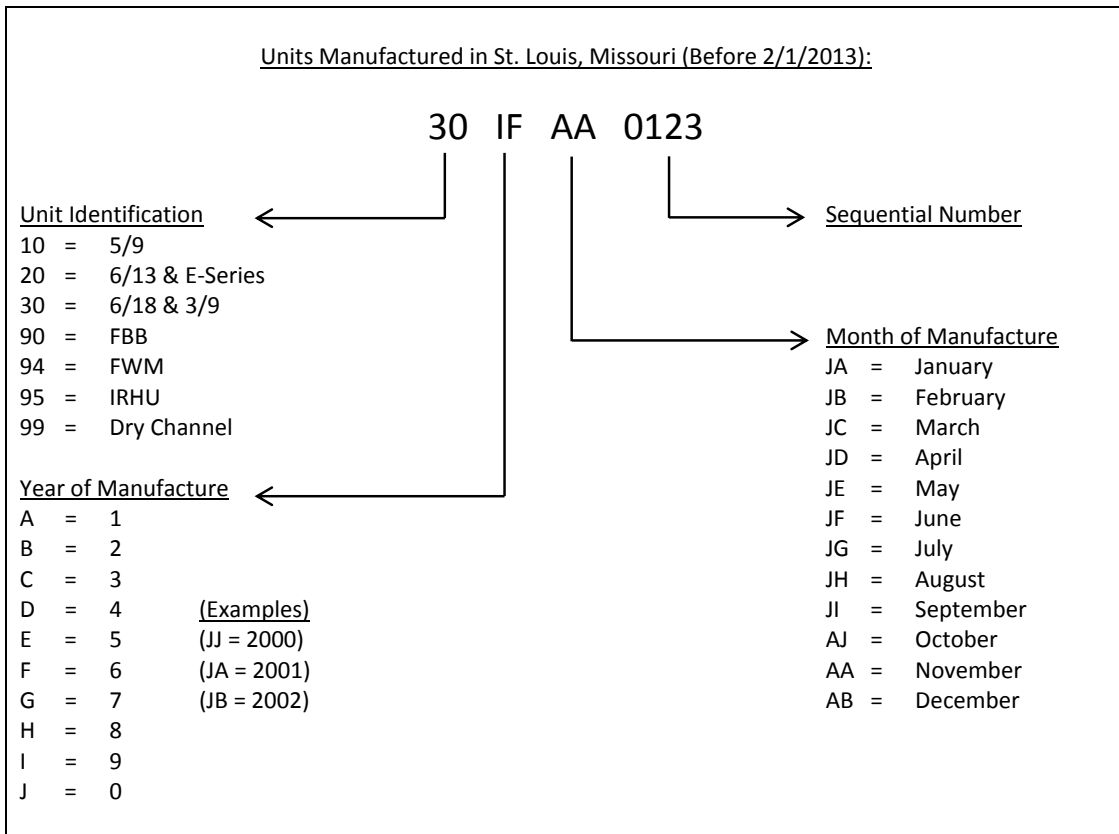
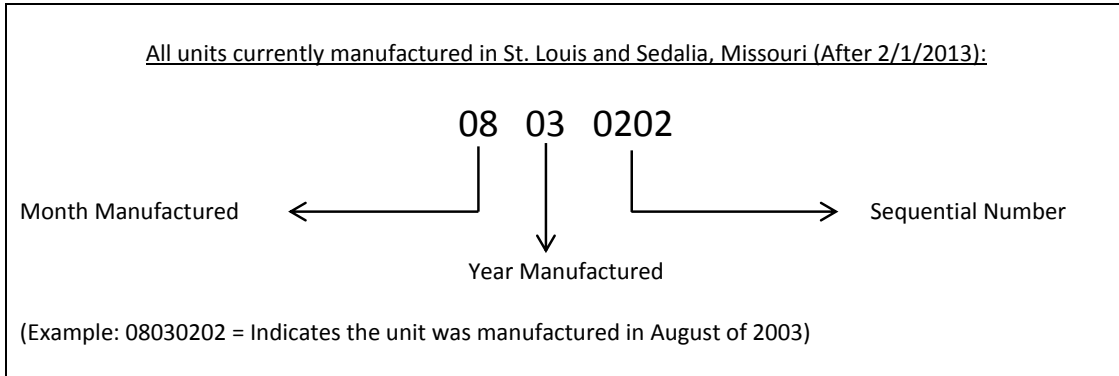
Fax: 314-231-5074

www.dukemfg.com

TABLE OF CONTENTS

| | |
|--|-------|
| FLEXBAKE 5 PROOF AND BAKE OVEN – CURVED DOOR MODELS – FRONT..... | 4-5 |
| FLEXBAKE 5 PROOF AND BAKE OVEN – CURVED DOOR MODELS – REAR | 6-7 |
| FLEXBAKE 5™ CURVED OVEN DOOR ASSEMBLY..... | 8-9 |
| COMPONENT PANEL – CURVED DOOR MODELS | 10 |
| CONTROL PANEL ASSEMBLY – CURVED DOOR MODELS | 11 |
| FACADE ASSEMBLY – CURVED DOOR MODELS | 12 |
| CONVECTION MOTOR ASSEMBLY – CURVED DOOR MODELS | 13 |
| FLEXBAKE 5 PROOF AND BAKE OVEN – FLAT DOOR MODELS – FRONT..... | 14-15 |
| FLEXBAKE 5 PROOF AND BAKE OVEN – FLAT DOOR MODELS – REAR | 16-17 |
| FLEXBAKE 5™ FLAT OVEN DOOR ASSEMBLY | 18-19 |
| COMPONENT PANEL, NON WI FI – FLAT DOOR MODELS | 20 |
| COMPONENT PANEL, WI FI ENABLED – FLAT DOOR MODELS | 21 |
| CONTROL PANEL ASSEMBLY, NON WI FI – FLAT DOOR MODELS | 22 |
| CONTROL PANEL ASSEMBLY, WI FI ENABLED – FLAT DOOR MODELS..... | 23 |
| FACADE ASSEMBLY – FLAT DOOR MODELS – DOMESTIC UNITS..... | 24 |
| FACADE ASSEMBLY – FLAT DOOR MODELS – CE UNITS..... | 25 |
| CONVECTION MOTOR ASSEMBLY – FLAT DOOR MODELS | 26 |
| WATER COMPONENTS ASSEMBLY – ALL MODELS | 27 |
| INLET DUCT ASSEMBLY – ALL MODELS | 28 |
| DOOR SWITCH ASSEMBLY – ALL MODELS | 29 |
| PROOFER-OVEN PARTS KIT – ALL MODELS | 29 |
| OVEN STAND – ALL MODELS..... | 30-31 |
| COOLRACK BREAD RACK – ALL MODELS | 31 |
| WIRING DIAGRAM – CURVED DOOR MODELS..... | 32 |
| WIRING DIAGRAM – FLAT DOOR MODELS | 33 |
| WIRING DIAGRAM, WI FI ENABLED – FLAT DOOR MODELS..... | 34 |

How to Determine Manufacture Date from Duke Equipment Serial Numbers



For service to the serial numbers below, please refer to the following tables:

06172214 07170163 07170557 07171335 07171681 07171799
07171846 07171902 07172734 07172922 08170678

PL-2 Flexbake 5 Proof and Bake Oven - Curved Door Models - Rear (Harnesses and RTD Only)
PL-4 Component Panel - Curved Door Models
PL-5 Control Panel Assembly - Curved Door Models

FLEXBAKE 5 PROOF AND BAKE OVEN – CURVED DOOR MODELS – FRONT

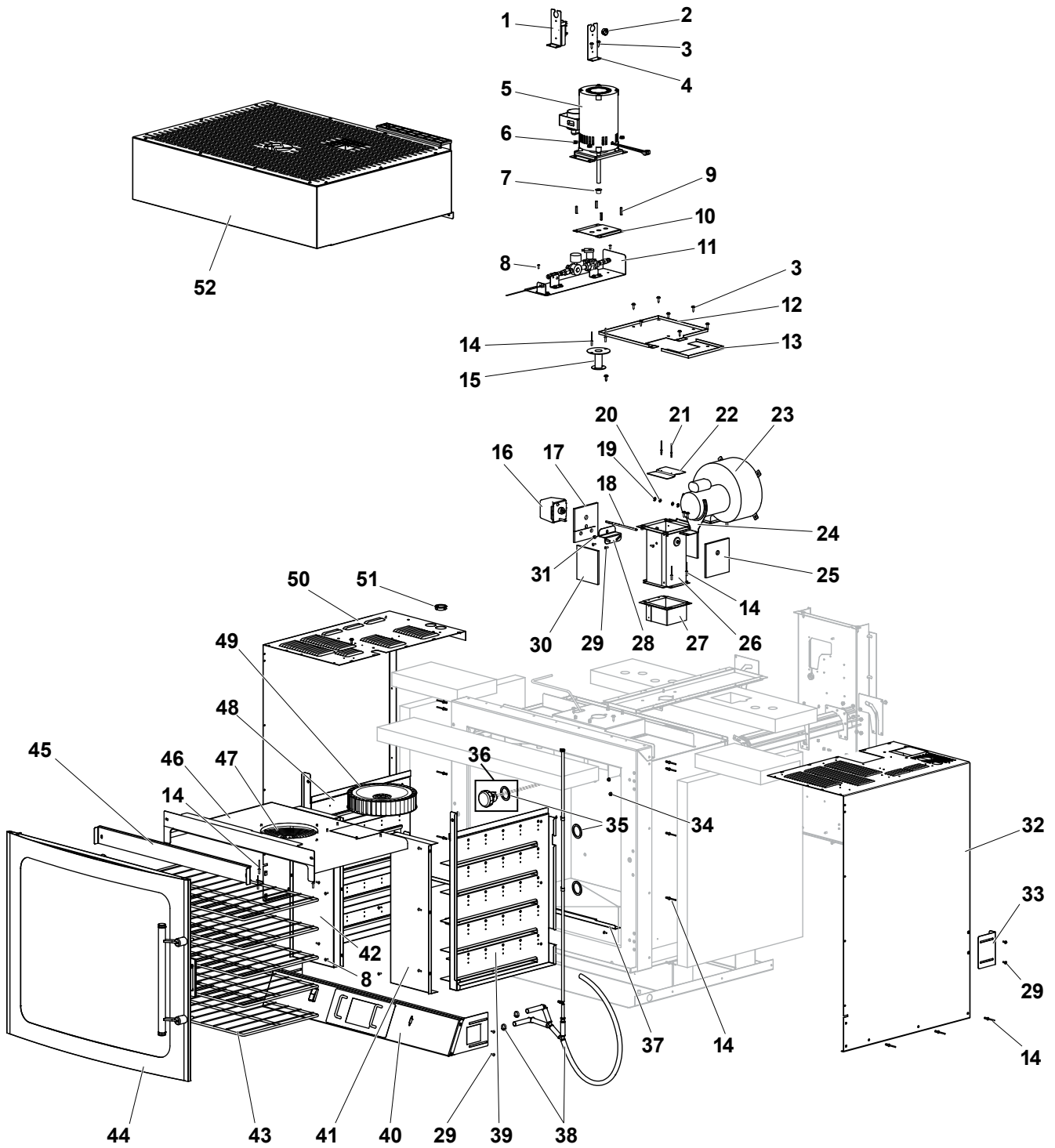


Figure: PL-1 FLEXBAKE 5 Proof and Bake Oven – Curved Door Models – Front

| Item | Part No. | Description | Qty |
|-----------|-------------------------|---|-----|
| 1 | 514082 | PB ASY, SUPPORT & RELAY (BAR ELE) | 1 |
| 2 | 514795 | BUSHING, .875 O/C HEYCO 2874 | 1 |
| 3 | 430463 | SCREW, 10-16X3/4IHXX US ZP-TEK | 52 |
| 4 | 514496 | PB SUPPORT, WIRE HARNESS, MED | 1 |
| 5 | 514070K | Service Kit, PB ASY, Convection Motor, 208V 60Hz (Ref- 514070) | 1 |
| | 514217K | Service Kit, PB ASY. Convection Motor, 240V 60Hz (Ref-514217) | |
| 6 | 213042 | NUT, 1/4-20 SERRATED ZINC | 4 |
| 7 | 514741 | BUSHING, PTFE #2706T26 | 1 |
| 8 | 279500 | SCREW, 8-32X1/2" PTHMS 18-8SS | 12 |
| 9 | 120016 | STANDOFF, 8-32X1 HX AL | 4 |
| 10 | 514349 | PB PLATE, MOUNTING, SEAL, ALL IN ONE OVEN | 1 |
| 11 | 514019 | PB ASY, WATER COMPONENTS | 1 |
| 12 | 514467 | PB PAN, EXHAUST, REAR, ALL IN ONE | 1 |
| 13 | 514466 | PB PAN, EXHAUST, FRONT, ALL IN ONE | 1 |
| 14 | 218861 | RIVET, 3/16" S/S MONOBOLT | 36 |
| 15 | 514043 | PB WELDMENT, MOTOR SHAFT COVER | 1 |
| 16 | 514810 | ACTUATOR, MOTOR, 4 RPM | 1 |
| | 514829 | ACTUATOR, DAMPER, 4 RPM, 240V 60HZ | |
| 17 | 514823 | PB INSUL., EXH. DUCT LEFT, FLEXBAKE 5 | 1 |
| 18 | 514833 | PB SHAFT, EXHAUST DAMPER | 1 |
| | 514723 | PB SHAFT, EXHAUST DAMPER (Old Style - Replaced by 514833) | |
| 19 | 514857 | RING, RETAINING, E-CLIP, SS, .250 | 2 |
| 20 | 514858 | WASHER, FLAT, SS, .250 | 4 |
| 21 | 213336 | RIVET, 1/8" SSx3/8-POP SSD-44-SSBS | 2 |
| 22 | 514522 | PB DAMPER, EXHAUST | 1 |
| | 514338 | PB DAMPER, EXHAUST (Old Style - Replaced By 514522) | |
| 23 | 514710 | BLOWER, COOL DOWN/IVS (ALL-N-ONE) | 1 |
| 24 | 514097 | ASY, BLOWER MOTOR SUPPORT | 1 |
| 25 | 514824 | PB INSUL., EXH. DUCT RIGHT, FLEXBAKE 5 | 1 |
| 26 | 514229 | PB ASY, EXHAUST DUCT | 1 |
| 27 | 514069 | PB WELDMENT, EXHAUST DUCT, LOWER (BAR ELE) | 1 |
| 28 | 514340 | PB BRACKET, ACTUATOR, ALL IN ONE OVEN | 1 |
| 29 | 213027 | SCREW, 10-24x1/2" PTHMS S/S | 38 |
| 30 | 514822 | PB INSUL., EXH. DUCT FRONT, REAR, FLEXBAKE 5 | 2 |
| 31 | 513158 | NUT, 8-32 SHLDR SERRATED HEX FLANGE Z ZINC | 6 |
| 32 | 514076 | PB WELDMENT, RIGHT SIDE (BAR ELE) | 1 |
| 33 | 514558 | PB BRKT, WALL MOUNTING | 2 |
| 34 | 168144 | NUT, SERRATED 10-32 S/S V#NSFL10F00HSTSS | 4 |
| Not Shown | 512495 | LAMP, 10W, 12V, HALOGEN (BI-PIN) | 3 |
| Not Shown | 502794 | LENS, FLAT 58MM | 3 |
| 35 | 502795 | GASKET, LAMP SILICONE | 3 |
| 36 | 600414 | KIT, SERVICE HALOGEN LAMP | 3 |
| 37 | 514503 | PB INSERT, DRIP TRAY - ALL IN ONE OVEN | 1 |
| 38 | 514053 | PB ASY, TUBING, DRAIN KIT | 1 |
| 39 | 514221 | PB WELDMENT, DUCT SIDE, RIGHT | 1 |
| 40 | 514025 | PB ASY, CONTROL PANEL | 1 |
| 41 | 514367 | PB CHANNEL, VENT, ALL IN ONE OVEN | 1 |
| 42 | 514368 | PB CHANNEL, BLANK, ALL IN ONE OVEN | 1 |
| 43 | 154547 | RACK, WIRE - PROOFER | 5 |
| 44 | 259743 | ASY, DOOR OVEN PB5 CURVED | 1 |
| 45 | 514364 | PB PLATE, TOP, ALL IN ONE OVEN | 1 |
| 46 | 514077 | PB WELDMENT, BLOWER INTAKE (BAR ELE) | 1 |
| 47 | 512740 | GUARD, FAN (S/S ver.) | 1 |
| 48 | 514220 | PB WELDMENT, DUCT SIDE, LEFT | 1 |
| 49 | 514740 | WHEEL, BLOWER SS ALL-N-ONE OVEN | 1 |
| 50 | 514075 | PB WELDMENT, LEFT SIDE (BAR ELE) | 1 |
| 51 | 175513 | BUSHING, HEYCO OPEN/CLOSE1-1/2 | 2 |

Table: PL-1 FLEXBAKE 5 Proof and Bake Oven – Curved Door Models – Front

FLEXBAKE 5 PROOF AND BAKE OVEN – CURVED DOOR MODELS – REAR

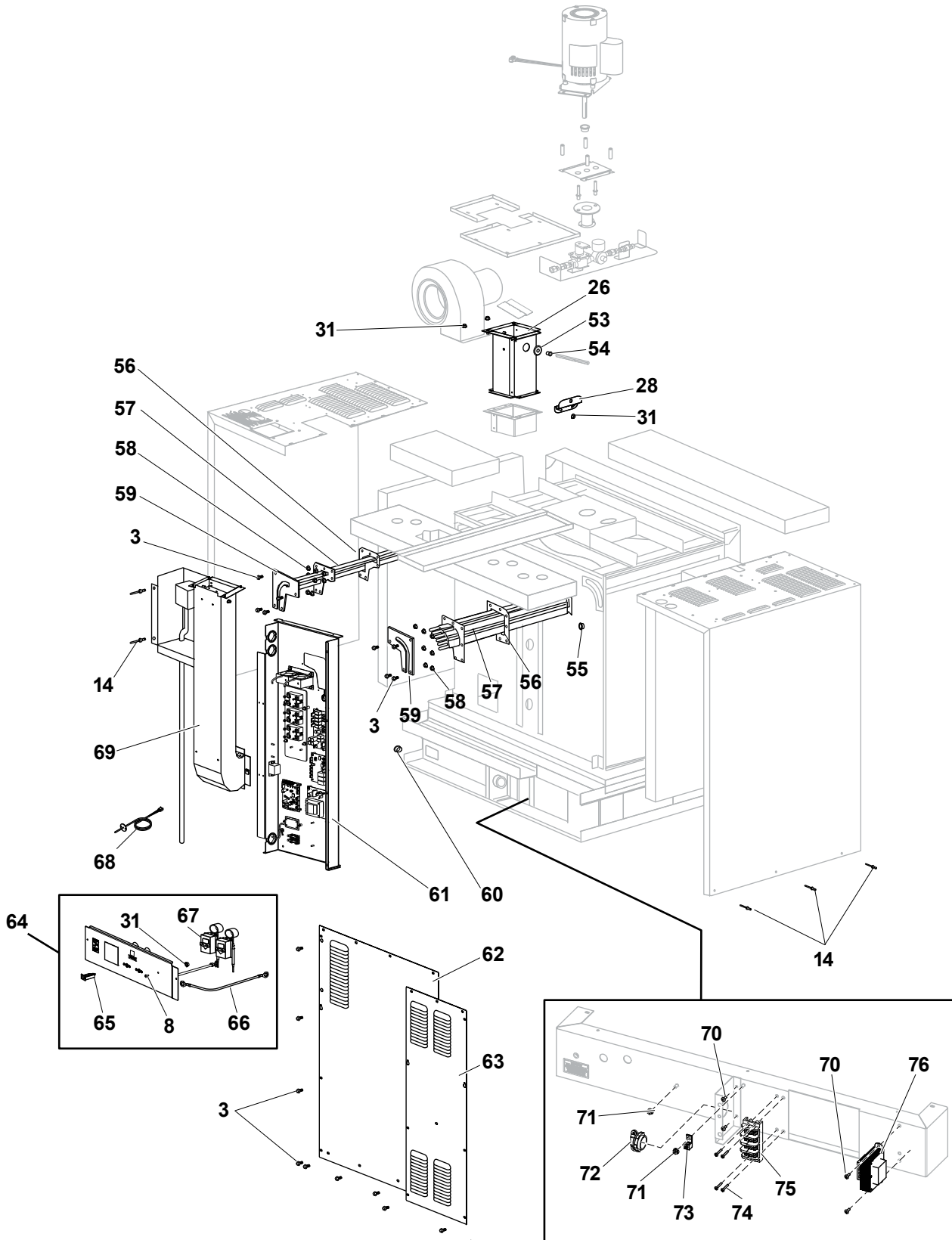


Figure: PL-2 FLEXBAKE 5 Proof and Bake Oven – Curved Door Models – Rear

Illustrated Parts Lists – FLEXBAKE 5
Proof and Bake Oven

| Item | Part No. | Description | Qty |
|-----------|----------|---|-----|
| 52 | 514244 | PB ASY, FAÇADE, DOM | 1 |
| 53 | 514855 | GROMMET, SILICONE, 1" | 2 |
| 54 | 514856 | BEARING, PTFE, .250ID X .375OD X .375 LG | 2 |
| 55 | 153115 | GROMMET, SILICONE | 2 |
| 56 | 514790 | GASKET, BAR HEATER | 2 |
| 57 | 514090 | PB ASY COMPLETE, BAR ELEMENT, 208V | 2 |
| | 514215 | PB ASY COMPLETE, BAR ELEMENT, 240V | |
| 58 | 213041 | NUT, 10-24 SERRATED ZNC | 16 |
| 59 | 514083 | PB ASY, BAR ELEMENT COVER (BAR ELE) | 2 |
| 60 | 212911 | BUSHING, 7/8" HEYCO 2850 | 1 |
| 61 | 514066 | PB ASY, COMPONENT PANEL | 1 |
| 62 | 514343 | PB PANEL, BACK, RIGHT, ALL IN ONE OVEN | 1 |
| 63 | 514346 | PB PANEL, BACK, LEFT, ALL IN ONE OVEN | 1 |
| 64 | 514024 | PB ASY, SERVICE CONN. | 1 |
| 65 | 512880 | BREAKER, CIRCUIT THERMAL | 1 |
| 66 | 514873 | WIRE, GROUND | 1 |
| 67 | 512765 | THERMOSTAT, HI-LIMIT | 2 |
| 68 | 512777 | RTD, PROOFER/OVEN | 1 |
| 69 | 514137 | PB ASY DUCT INLET LW 208V | 1 |
| | 514251 | PB ASY DUCT INLET LW 240V | |
| 70 | 279500 | SCREW, 8-32X1/2" PTHMS 18-8SS | 4 |
| 71 | 156953 | NUT, M6 S/S SERRATED FLANGE LOCK (NSFL060C000PL188) | 2 |
| 72 | 155419 | CONNECTOR, 1" CABLE | 1 |
| 73 | 983385 | LUG, GROUND ILSCO TA-2 | 1 |
| 74 | 10280000 | SCREW, 8-32X1"TR PH SS MACHINE | 1 |
| 75 | 120001 | BLOCK, TERMINAL 4 POLE | 1 |
| 76 | 502840 | TRANSFORMER, 208V AHPO | 1 |
| | 502937 | TRANSFORMER, 230V AHPO | |
| Not Shown | 512906 | RTV, RED-HIGH TEMP NSF FDA,USDA,UL-10.1 CARTRIDG | 1 |
| Not Shown | 155811 | CONNECTOR, COMPACT TWO POSITION | 4 |
| Not Shown | 514803 | CONNECTOR, COMPACT, 3 POS. #222-413 | 4 |
| Not Shown | 514749 | HARNESS TB TO SAFETY STATS | 1 |
| Not Shown | 514755 | HARNESS, LINE POWER REAT CNTL | 1 |
| Not Shown | 514756 | HARNESS, REAR CNTL OUTPUT VDC | 1 |
| Not Shown | 514757 | HARNESS, REAR TO FRONT LOW VOLTAGE | 1 |
| Not Shown | 514804 | HARNESS, SAFETY STATS TO SSR | 1 |
| Not Shown | 514805 | HARNESS, TOP AC, RT HEATER & COOLDOWN | 1 |
| Not Shown | 514806 | HARNESS, TOP AC, CONV. MOTOR & VALVE | 1 |
| Not Shown | 514807 | HARNESS, REAR AC CONTROL PANEL | 1 |
| Not Shown | 514808 | HARNESS, CONV. MTR SPEED INTERLOCK | 1 |
| Not Shown | 514809 | JUMPER, CONV. MTR SPEED CONTROL | 1 |
| Not Shown | 514881 | JUMPER – OVEN LIGHTS | 1 |
| Not Shown | 600525 | KIT, WATER SUPPLY LINE (100') | 1 |

Table: PL-2 FLEXBAKE 5 Proof and Bake Oven – Curved Door Models – Rear

FLEXBAKE 5™ CURVED OVEN DOOR ASSEMBLY

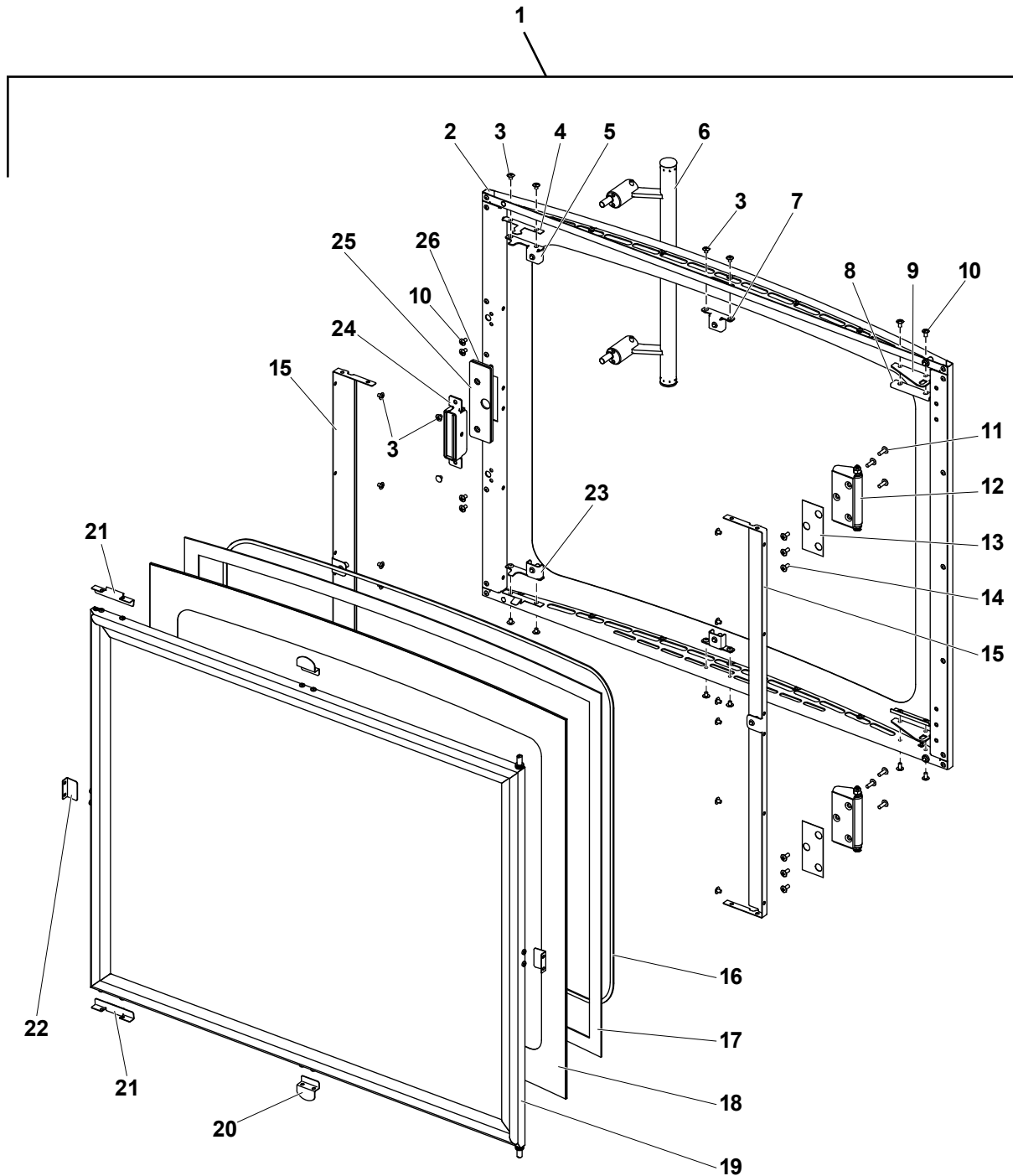


Figure: PL-3 FLEXBAKE 5™ Curved Oven Door Assembly

| Item | Part No. | Description | Qty |
|-----------|------------------------|--|-----|
| 1 | 259743 | ASY, DOOR OVEN PB5 CURVED | 1 |
| 2 | 259742 | ASY, FRAME OVEN PB5 | 1 |
| 3 | 213051 | SCREW, 10-24x1/4" PTHMS S/S | 24 |
| 4 | 2500186 | LATCH, INNER DOOR PB5 | 2 |
| 5 | 2500194 | ASY, BRACKET, SPRING PIN, LATCH RT, DOOR FB5 OVEN | 1 |
| 6 | 259594 | ASY, HANDLE OVEN DOOR CURVED | 1 |
| 7 | 2500196 | ASY, BRACKET, SPRING PIN CENTER, DOOR FB5 OVEN | 2 |
| 8 | 2500197 | ASY, BRACKET DRIP HINGE, DOOR FB5 OVEN | 2 |
| 9 | 514407 | PLATE HINGE FLAT, INNER DOOR TSC/PB | 2 |
| 10 | 213028 | SCREW, 10-24x3/8" PTHMS S/S | 8 |
| 11 | 213078 | SCREW, 10-24X5/8 PHTHSS | 6 |
| 12 | 259744 | ASY, HINGE OVEN DOOR CURVED | 2 |
| 13 | 514133 | PLATE, HINGE SPACER DOOR OFFSET | 2 |
| 14 | 213027 | SCREW, 10-24x1/2" PTHMS S/S | 6 |
| 15 | 2500112 | ASY, RETAINER GLASS OVEN PB5 W/ PLUNGER | 2 |
| 16 | 514709 | EXTRUSION, SILICONE SPONGE 3/16"x1/4" | 9 |
| 17 | 220520 | TAPE, 7058 80MIL, 25MM X 18M ACXPLUS CLEAR ACRYLIC | AR |
| 18 | 224803 | GLASS, CVD. 27.92" OVEN PB5 | 1 |
| 19 | 223334 | DOOR, INNER GLASS PB5 | 1 |
| Not Shown | 223813 | GASKET, INNER DOOR (27.262" x 33.052") | 1 |
| 20 | 514409 | TAB, SWITCH DOOR, TSC/PB OVEN INNER DOOR | 2 |
| 21 | 2500212 | TAB, LATCH ANGLED SHORT, INNER DOOR FB5 OVEN | 2 |
| 22 | 2500113 | PLATE, PLUNGER STRIKE MID VERT, PB OVEN INNER DOOR | 2 |
| 23 | 2500195 | ASY, BRACKET, SPRING PIN, LATCH LT, DOOR FB5 OVEN | 1 |
| 24 | 259898 | ASY, MAGNET LATCH DOOR | 1 |
| 25 | 514893 | PLATE, SPACER DOOR NICKEL+CHRO | 1 |
| 26 | 514892 | PLATE, DOOR STRIKE NICKEL+CHRO | 1 |

Table: PL-3 FLEXBAKE 5™ Curved Oven Door Assembly

COMPONENT PANEL – CURVED DOOR MODELS

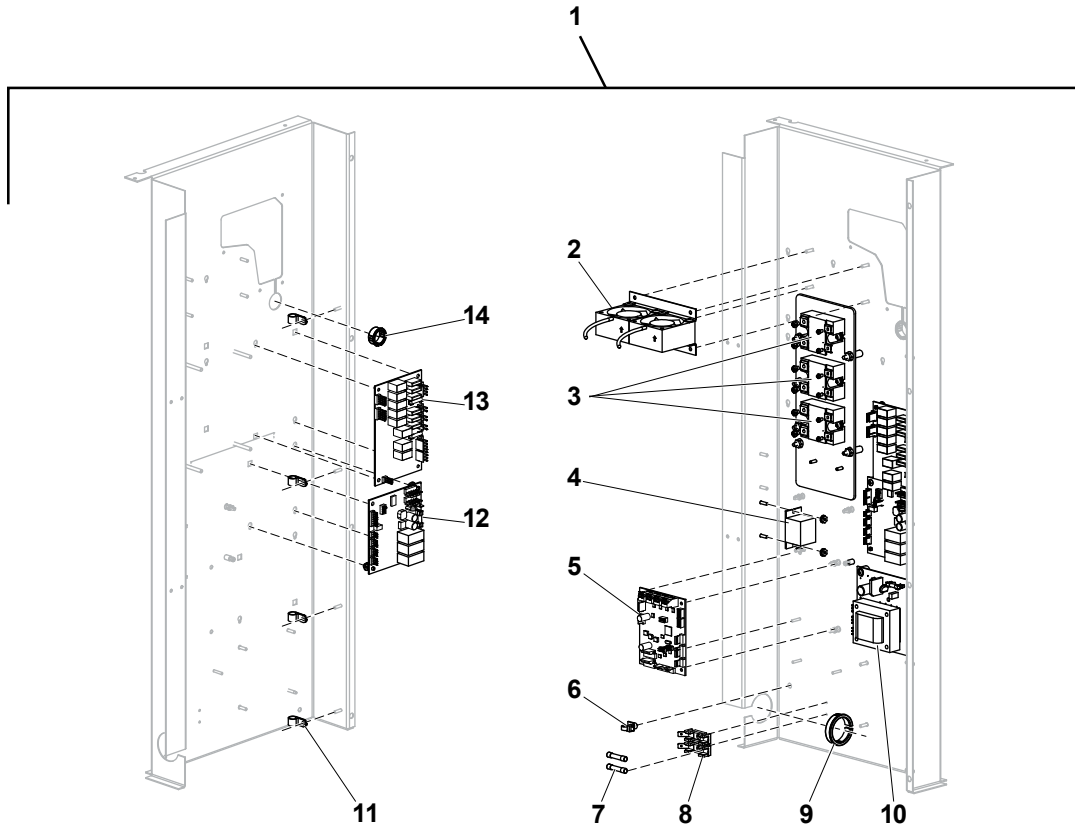


Figure: PL-4 Component Panel – Curved Door Models

| Item | Part No | Description | Qty |
|------|------------------------|--|-----|
| 1 | 514066 | PB ASY, COMPONENT PANEL | 1 |
| 2 | 514017 | PB ASY, AXIAL FANS | 1 |
| 3 | 600373 | KIT, SSR & HEAT TRANSFER PAD (Ref- 120005 & 210503) | 1 |
| 4 | 514798 | RELAY GENERAL PURPOSE SPST 30A 12V | 1 |
| 5 | 514801 | PCB, IO MODULE (IO4) | 1 |
| 6 | 514738 | CABLE TIE, PANEL MOUNT#6686K21 | 1 |
| 7 | 120103 | FUSE, MOD CTRL TSC, #fwh-12.5a6f | 2 |
| 8 | 120102 | HOLDER, FUSE MOD CTRL TSC 354802-GY | 1 |
| 9 | 175513 | BUSHING, HEYCO OPEN/CLOSE1-1/2 | 1 |
| 10 | 600351 | KIT, POWER SUPPLY (Ref- 120011) | 1 |
| 11 | 514748 | CLAMP, LOOP 3/8" NYLON #8876T38 | 2 |
| 12 | 600350 | PCB, IO MODULE (Ref- ELC0058-1) | 1 |
| 13 | 514603 | KIT, REPLACE 514703 RELAY BOARD | 1 |
| 14 | 514795 | BUSHING, .875 O/C HEYCO 2874 | 1 |
| NS | 120104 | HARNESS, JUMPER MOD CTRL TSC | 1 |

Table: PL-4 Component Panel – Curved Door Models

CONTROL PANEL ASSEMBLY – CURVED DOOR MODELS

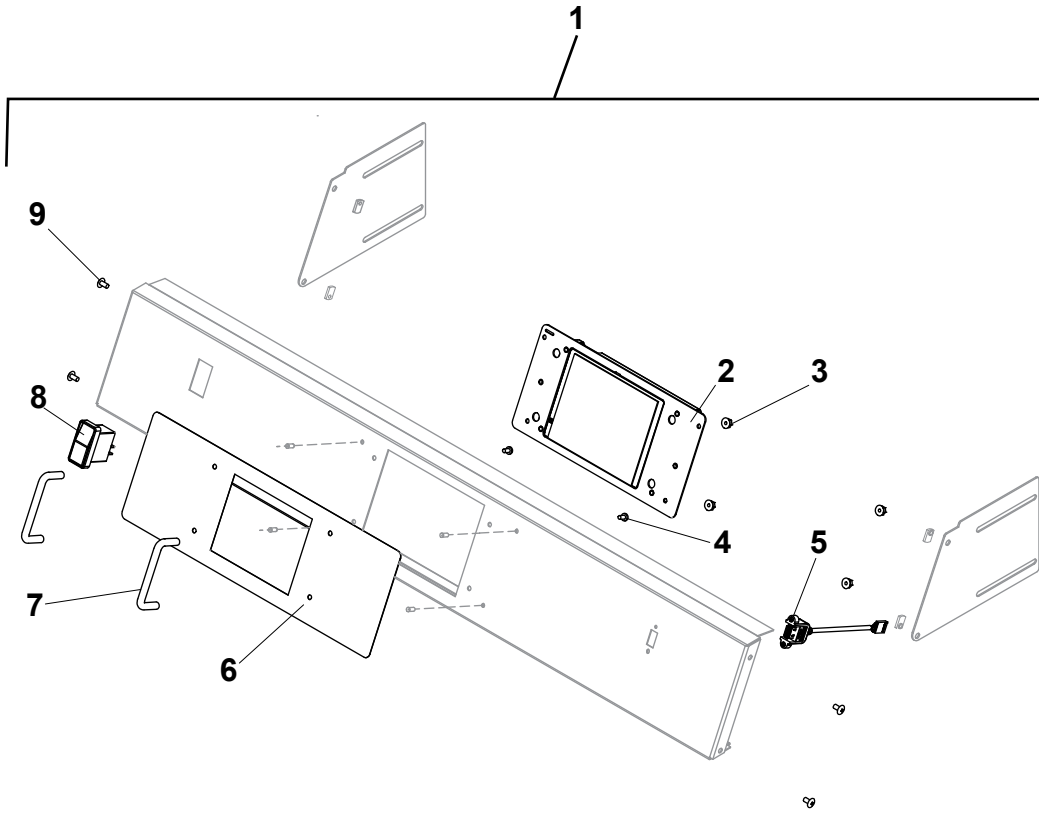


Figure: PL-5 Control Panel Assembly – Curved Door Models

| Item | Part No. | Description | Qty |
|-----------|------------------------|---|-----|
| 1 | 514025 | PB ASY, CONTROL PANEL | 1 |
| 2 | 514608 | KIT, REPLACE 514784 CONTROL MODULE 5R-DBPS | 1 |
| 3 | 513158 | NUT, 8-32,SERRATED FLANGE | 4 |
| 4 | 512611 | SCREW, 8-32X5/16"PN PH ZP | 4 |
| 5 | 120007 | CONNECTOR, USB PANEL MOUNT UPMA5-075M/CA USB-A NCMR | 1 |
| 6 | 514891 | OVERLAY, TOUCHSCREEN ALL-IN-ONE OVEN | 1 |
| 7 | 120026 | HANDLE, .312 DIA x 3" WIDE x 1.312 DEEP | 2 |
| 8 | 169629 | SWITCH, SEALED CARLING | 1 |
| 9 | 213028 | SCREW, 10-24x3/8" PTHMS S/S | 4 |
| Not shown | 512766 | BUZZER, ULTRA SOUND (LOCATED BEHIND CONTROL PANEL ASSEMBLY) | 1 |

Table: PL-5 Control Panel Assembly – Curved Door Models

FACADE ASSEMBLY – CURVED DOOR MODELS

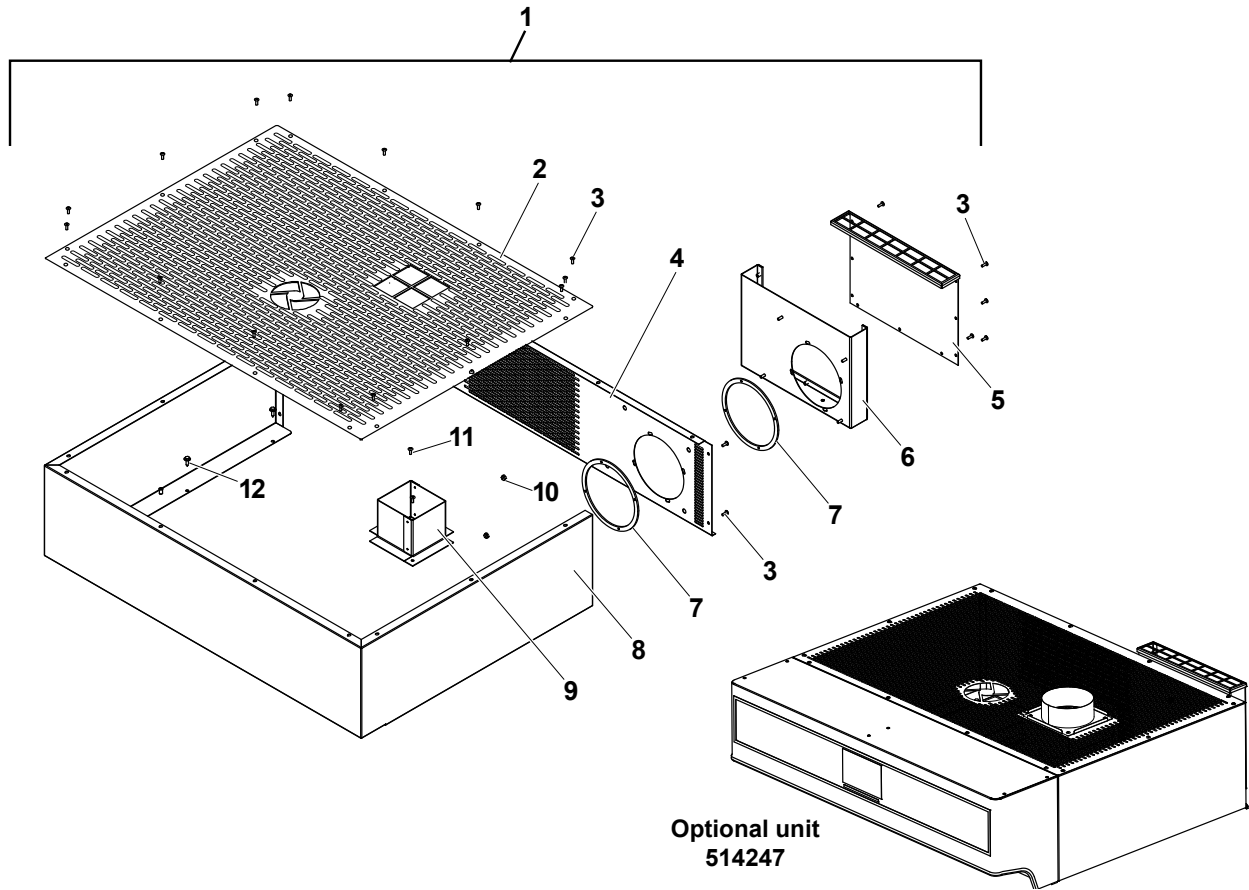


Figure: PL-6 Facade Assembly – Curved Door Models

| Item | Part No. | Description | Qty |
|--------|------------------------|--|-----|
| 1 | 514244 | PB ASY, FAÇADE, DOM | 1 |
| 2 | 514562 | PB COVER, TOP, FAÇADE, DOM | 1 |
| 3 | 279500 | SCREW, 8-32X1/2" PTHMS 18-8SS | 31 |
| 4 | 514563 | PB PANEL, REAR, FAÇADE, DOM | 1 |
| 5 | 514565 | PB COVER, VENT BOX, SHORT | 1 |
| 6 | 514243 | PB ASY, VENT BOX, DOM FAÇADE | 1 |
| 7 | 514814 | GASKET, ROUND, VENT BOX FB5 | 2 |
| 8 | 514561 | PB WRAPPER, FAÇADE, DOM | 1 |
| 9 | 514242 | PB WELDMENT, EXH EXT, DOM FAÇADE | 1 |
| 10 | 168144 | NUT, SERRATED 10-32 S/S V#NSFL10F00HSTSS | 4 |
| 11 | 213027 | SCREW, 10-24x1/2" PTHMS S/S | 2 |
| 12 | 430463 | SCREW, 10-16X3/4IHXW US ZP-TEK | 6 |
| OPTION | 514247 | ASY, TOP LEVEL, IVS, DOM | 1 |

Table: PL-6 Facade Assembly – Curved Door Models

CONVECTION MOTOR ASSEMBLY – CURVED DOOR MODELS

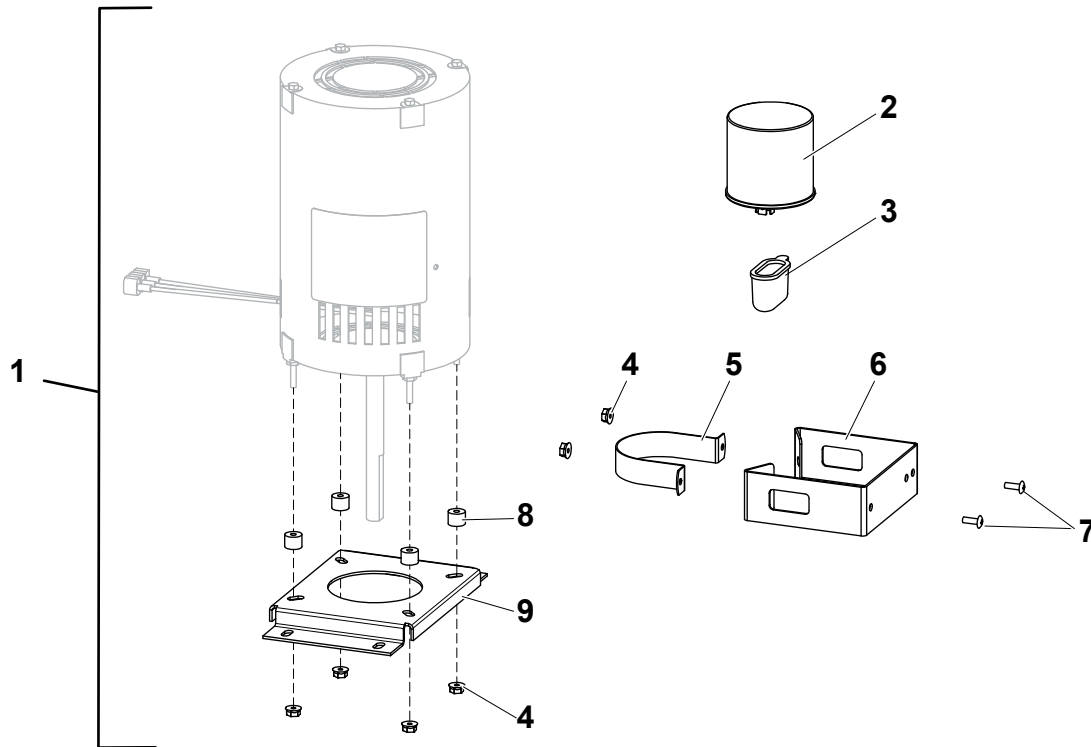


Figure: PL-7 Convection Motor Assembly – Curved Door Models

| Item | Part No. | Description | Qty |
|------|-------------------------|---|-----|
| 1 | 514070K | Service Kit, PB ASY, Convection Motor, 208V 60Hz (Ref-514070) | 1 |
| | 514217K | Service Kit, PB ASY. Convection Motor, 240V 60Hz (Ref-514217) | |
| 2 | 514885 | CAPACITOR RUN 15MF, 660V, 70C | 1 |
| 3 | 514888 | BOOT, CAPACITOR, BLUFFTON 292540101 | 1 |
| 4 | 513158 | NUT, 8-32 SHLDR SERRATED HEX FLANGE Z ZINC | 6 |
| 5 | 514895 | STRAP, CAPACITOR, 2.5" DIA. | 1 |
| 6 | 514568 | PB BRKT, CAPACITOR, CONV, MOTOR | 1 |
| 7 | 279500 | SCREW, 8-32X1/2" PTHMS 18-8SS | 2 |
| 8 | 514797 | SPACER, .166X.500X.375 LONG | 4 |
| 9 | 512523 | BRACKET, MOTOR MTG OVEN NO AUDIT | 1 |

Table: PL-7 Convection Motor Assembly – Curved Door Models

FLEXBAKE 5 PROOF AND BAKE OVEN – FLAT DOOR MODELS – FRONT

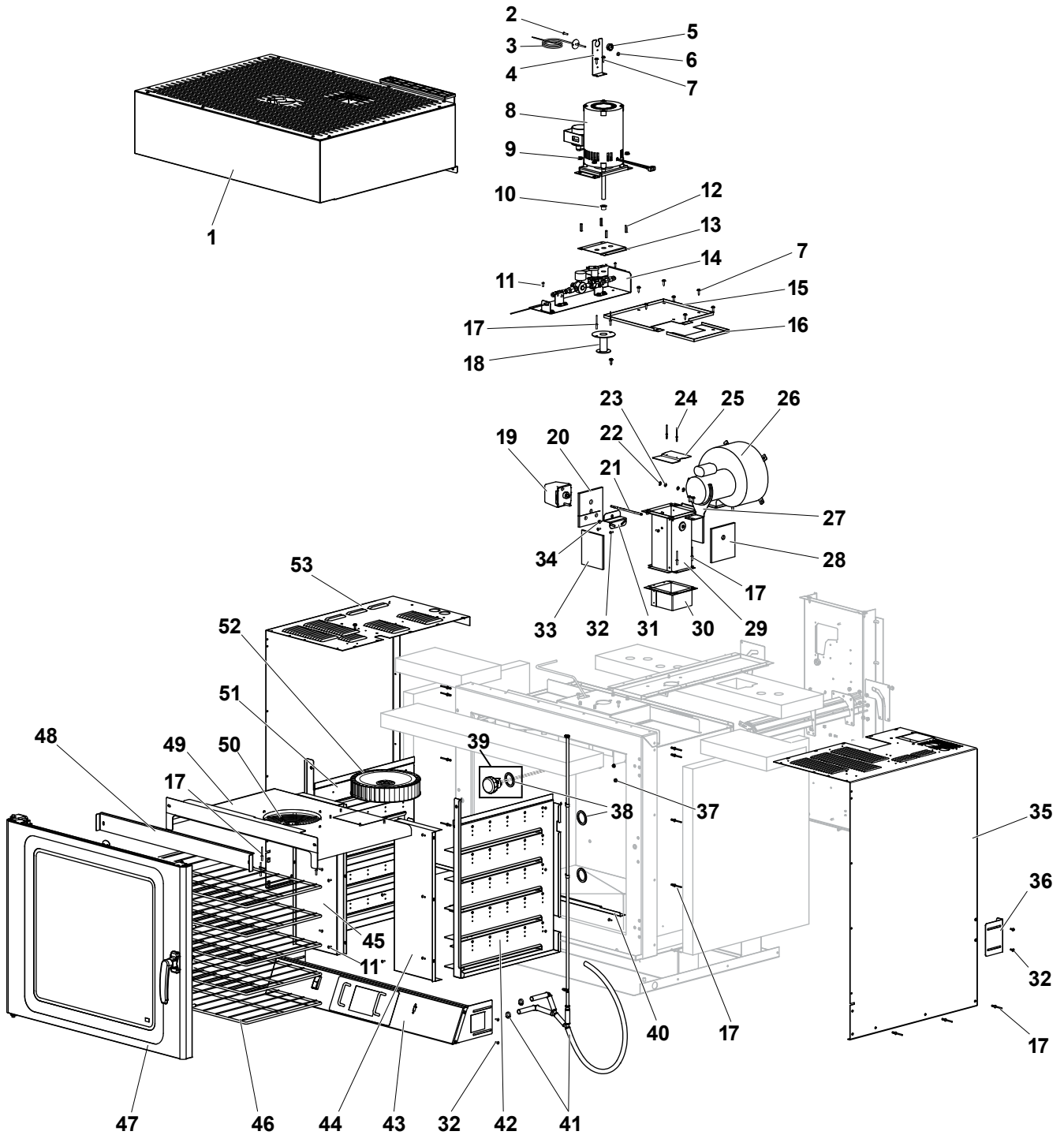


Figure: PL-8 FLEXBAKE 5 Proof and Bake Oven – Flat Door Models – Front

Illustrated Parts Lists – FLEXBAKE 5
Proof and Bake Oven

| Item | Part No. | Description | Qty |
|-----------|----------|---|--------|
| 1 | 514244 | PB ASY, FAÇADE, DOM | 1 |
| | 514225 | PB ASY, FAÇADE, CE | |
| 2 | 175604 | SCREW, 6 x 1/2" | 1 |
| 3 | 514867 | RTD, 1000 ohm (Qty = 3 on Wi-Fi Enabled Units) | 1 or 3 |
| 4 | 514496 | PB SUPPOT, WIRE HARNESS, MED | 1 |
| 5 | 514795 | BUSHING, .875 O/C HEYCO 2874 | 1 |
| 6 | 223400 | NUT, 6-32 HEX SS | 1 |
| 7 | 430463 | SCREW, 10-16X3/4IH XW US ZP-TEK | 52 |
| 8 | 514070K | Service Kit, PB ASY, Convection Motor, 208V 60Hz (Ref-514070) | 1 |
| | 514217K | Service Kit, PB ASY, Convection Motor, 240V 60Hz (Ref-514217) | |
| | 514232K | Service Kit, PB ASY, Convection Motor, 230V 50Hz (Ref-514232) | |
| 9 | 213042 | NUT, 1/4-20 SERRATED ZINC | 4 |
| 10 | 514741 | BUSHING, PTFE #2706T26 | 1 |
| 11 | 279500 | SCREW, 8-32X1/2" PTHMS 18-8SS | 12 |
| 12 | 120016 | STANDOFF, 8-32X1 HX AL | 4 |
| 13 | 514349 | PB PLATE, MOUNTING, SEAL, ALL IN ONE OVEN | 1 |
| 14 | 514019 | PB ASY, WATER COMPONENTS | 1 |
| 15 | 514467 | PB PAN, EXHAUST, REAR, ALL IN ONE | 1 |
| 16 | 514466 | PB PAN, EXHAUST, FRONT, ALL IN ONE | 1 |
| 17 | 218861 | RIVET, 3/16" S/S MONOBOLT | 36 |
| 18 | 514043 | PB WELDMENT, MOTOR SHAFT COVER | 1 |
| 19 | 514810 | ACTUATOR, DAMPER, 4 RPM, 208V 60Hz | 1 |
| | 514864 | ACTUATOR, DAMPER, 4 RPM, 240V 60Hz | |
| | 514829 | ACTUATOR, DAMPER, 4 RPM, 230VAC, 50Hz | |
| 20 | 514823 | PB INSUL., EXH. DUCT LEFT, FLEXBAKE 5 | 1 |
| 21 | 514833 | PB SHAFT, EXHAUST DAMPER | 1 |
| | 514723 | PB SHAFT, EXHAUST DAMPER (Old Style - Replaced by 514833) | |
| 22 | 514857 | RING, RETAINING, E-CLIP, SS, .250 | 2 |
| 23 | 514858 | WASHER, FLAT, SS, .250 | 4 |
| 24 | 213336 | RIVET, 1/8" SSx3/8-POP SSD-44-SSBS | 2 |
| 25 | 514522 | PB DAMPER, EXHAUST | 1 |
| | 514338 | PB DAMPER, EXHAUST (Old Style - Replaced By 514522) | |
| 26 | 514710 | BLOWER, COOL DOWN/IVS (ALL-N-ONE) | 1 |
| 27 | 514097 | Asy, Blower Motor Support | 1 |
| 28 | 514824 | PB INSUL., EXH. DUCT RIGHT, FLEXBAKE 5 | 1 |
| 29 | 514229 | PB ASY, EXHAUST DUCT | 1 |
| 30 | 514069 | PB WELDMENT, EXHAUST DUCT, LOWER (BAR ELE) | 1 |
| 31 | 514340 | PB BRACKET, ACTUATOR, ALL IN ONE OVEN | 1 |
| 32 | 213027 | SCREW, 10-24x1/2" PTHMS S/S | 38 |
| 33 | 514822 | PB INSUL., EXH. DUCT FRONT, REAR, FLEXBAKE 5 | 2 |
| 34 | 513158 | NUT, 8-32 SHLDR SERRATED HEX FLANGE Z ZINC | 6 |
| 35 | 514076 | PB WELDMENT, RIGHT SIDE (BAR ELE) | 1 |
| 36 | 514558 | PB BRKT, WALL MOUNTING | 2 |
| 37 | 168144 | NUT, SERRATED 10-32 S/S V#NSFL10F00HSTSS | 4 |
| Not Shown | 512495 | LAMP, 10W, 12V, HALOGEN (BI-PIN) | 3 |
| Not Shown | 502794 | LENS, FLAT 58MM | 3 |
| 38 | 502795 | GASKET, LAMP SILICONE | 3 |
| 39 | 600414 | KIT, SERVICE HALOGEN LAMP | 3 |
| 40 | 514503 | PB INSERT, DRIP TRAY - ALL IN ONE OVEN | 1 |
| 41 | 514053 | PB ASY, TUBING, DRAIN KIT | 1 |
| 42 | 514221 | PB WELDMENT, DUCT SIDE, RIGHT | 1 |
| 43 | 514246 | PB ASY, CONTROL PANEL, 5R-DPBS | 1 |
| 44 | 514367 | PB CHANNEL, VENT, ALL IN ONE OVEN | 1 |
| 45 | 514368 | PB CHANNEL, BLANK, ALL IN ONE OVEN | 1 |
| 46 | 154547 | RACK, WIRE - PROOFER | 5 |
| 47 | 514110 | ASSY DOOR FLAT FB5 5/8" RADIUS CORNERS | 1 |
| 48 | 514364 | PB PLATE, TOP, ALL IN ONE OVEN | 1 |
| 49 | 514077 | PB WELDMENT, BLOWER INTAKE (BAR ELE) | 1 |
| 50 | 512740 | GUARD, FAN (S/S ver.) | 1 |
| 51 | 514220 | PB WELDMENT, DUCT SIDE, LEFT | 1 |
| 52 | 514740 | WHEEL, BLOWER SS ALL-N-ONE OVEN | 1 |

Table: PL-8 FLEXBAKE 5 Proof and Bake Oven – Flat Door Models – Front

FLEXBAKE 5 PROOF AND BAKE OVEN – FLAT DOOR MODELS – REAR

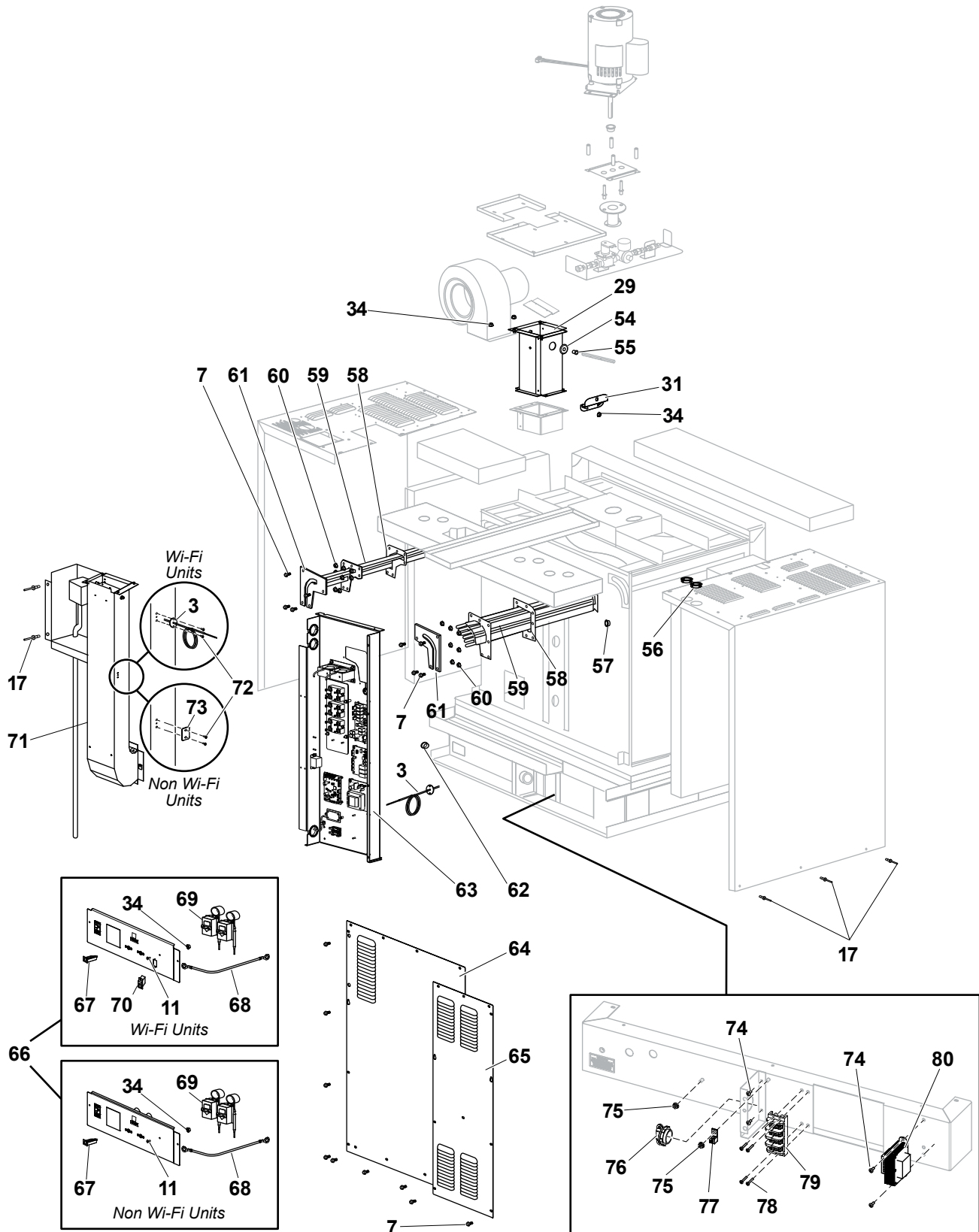


Figure: PL-9 FLEXBAKE 5 Proof and Bake Oven – Flat Door Models – Rear

| Item | Part No. | Description | Qty |
|-----------|----------|---|--------|
| 53 | 514075 | PB WELDMENT, LEFT SIDE (BAR ELE) | 1 |
| 54 | 514855 | GROMMET, SILICONE, 1" | 2 |
| 55 | 514856 | BEARING, PTFE, .250ID X .375OD X .375 LG | 2 |
| 56 | 175513 | BUSHING, HEYCO OPEN/CLOSE1-1/2 | 2 |
| 57 | 153115 | GROMMET, SILICONE | 2 |
| 58 | 514790 | GASKET, BAR HEATER | 2 |
| 59 | 514090 | PB ASY COMPLETE, BAR ELEMENT, 208V | 2 |
| | 514228 | PB ASY COMPLETE, BAR ELEMENT, 230V | |
| | 514215 | PB ASY COMPLETE, BAR ELEMENT, 240V | |
| 60 | 213041 | NUT, 10-24 SERRATED ZNC | 16 |
| 61 | 514083 | PB ASY, BAR ELEMENT COVER (BAR ELE) | 2 |
| 62 | 212911 | BUSHING, 7/8" HEYCO 2850 | 1 |
| 63 | 514227 | PB ASY, COMPONENT PANEL | 1 |
| 64 | 514343 | PB PANEL, BACK, RIGHT, ALL IN ONE OVEN | 1 |
| 65 | 514346 | PB PANEL, BACK, LEFT, ALL IN ONE OVEN | 1 |
| Not Shown | 514271K | Service Replacement, IPX Shield (230/400V CE Units Only) | 2 |
| 66 | 514024 | PB ASY, SERVICE CONN. <i>(Non Wi-Fi Units)</i> | 1 |
| | 514291 | PB ASY, SERVICE CONN. <i>(Wi-Fi Units)</i> | 1 |
| 67 | 512880 | BREAKER, CIRCUIT THERMAL | 1 |
| 68 | 514873 | WIRE, GROUND | 1 |
| 69 | 512765 | THERMOSTAT, HI-LIMIT | 2 |
| 70 | 156617 | COUPLER, STRAIGHT 8X8 RJ45 IVORY <i>(Wi-Fi Units)</i> | 1 |
| 71 | 514137 | PB ASY DUCT INLET LW 208V | 1 |
| | 514251 | PB ASY DUCT INLET LW 240V | |
| | 514252 | PB ASY DUCT INLET LW 230V 50HZ | |
| 72 | 223471 | SCREW, TRUSS HE PHILLIPS SS 4-40 x 3/8" | 2 |
| 73 | 514591 | Cover Plate, RTD Holes in Inlet Duct <i>(Non Wi-Fi Units)</i> | 1 |
| 74 | 279500 | SCREW, 8-32X1/2" PTHMS 18-8SS | 4 |
| 75 | 156953 | NUT, M6 S/S SERRATED FLANGE LOCK <i>(Qty = 3 on 230V Units)</i> | 2 or 3 |
| 76 | 155419 | CONNECTOR, 1" CABLE <i>(208/240V 60Hz Units)</i> | 1 |
| | 512614 | CORD GRIP, HARNESS, CE <i>(230V 50Hz Units)</i> | 1 |
| Not Shown | ELC0175 | CABLE, SHIELDED, POWER & CAN <i>(Wi-Fi Units)</i> | 1 |
| 77 | 983385 | LUG, GROUND ILSCO TA-2 <i>(Qty = 2 on 230V Units)</i> | 1 or 2 |
| 78 | 10280000 | SCREW, 8-32X1"TR PH SS MACHINE | 1 |
| 79 | 120001 | BLOCK, TERMINAL 4 POLE | 1 |
| 80 | 502840 | TRANSFORMER, <i>(208V 60Hz Units)</i> | 1 |
| | 502937 | TRANSFORMER, <i>(240/230V 50/60Hz Units)</i> | |
| Not Shown | 512906 | RTV, RED-HIGH TEMP NSF FDA,USDA,UL-10.1 CARTRIDG | 1 |
| Not Shown | 155811 | CONNECTOR, COMPACT TWO POSITION | 4 |
| Not Shown | 514803 | CONNECTOR, COMPACT, 3 POS. #222-413 | 4 |
| Not Shown | 514874 | HARNESS, REAR CONTROL AC | 1 |
| Not Shown | 514875 | HARNESS DC LOAD CONTROL | 1 |
| Not Shown | 514876 | HARNESS DC POWER & CAN <i>(Non Wi-Fi Units)</i> | 1 |
| Not Shown | 514877 | HARNESS – TOP FB5 | 1 |
| Not Shown | 514878 | HARNESS MAIN SW. & POWER FB5 | 1 |
| Not Shown | 514879 | HARNESS HEAT LOAD CONTROL | 1 |
| Not Shown | 514880 | HARNESS S.S. TO T.B. | 1 |
| Not Shown | 514881 | JUMPER – OVEN LIGHTS | 1 |
| Not Shown | 600525 | KIT, WATER SUPPLY LINE (100') | 1 |
| Not Shown | 120140 | ASY, FILTER CE UNITS | 1 |
| Not Shown | ELC0176 | JUMPER, DOOR, BEEPER, & PWR <i>(Wi-Fi Units)</i> | 1 |
| Not Shown | ELC0183 | JUMPER, DE CAN & POWER <i>(Wi-Fi Units)</i> | 1 |
| Not Shown | ELC0213 | JUMPER, CURRENT SENSE 14" <i>(Wi-Fi Units)</i> | 1 |
| Not Shown | 166104 | JUMPER, IO TO IO <i>(Wi-Fi Units)</i> | 1 |
| Not Shown | ELC0215 | FILTER ASSY, 200pF 1KV <i>(Wi-Fi Units)</i> | 2 |

Table: PL-9 FLEXBAKE 5 Proof and Bake Oven – Flat Door Models – Rear

FLEXBAKE 5™ FLAT OVEN DOOR ASSEMBLY

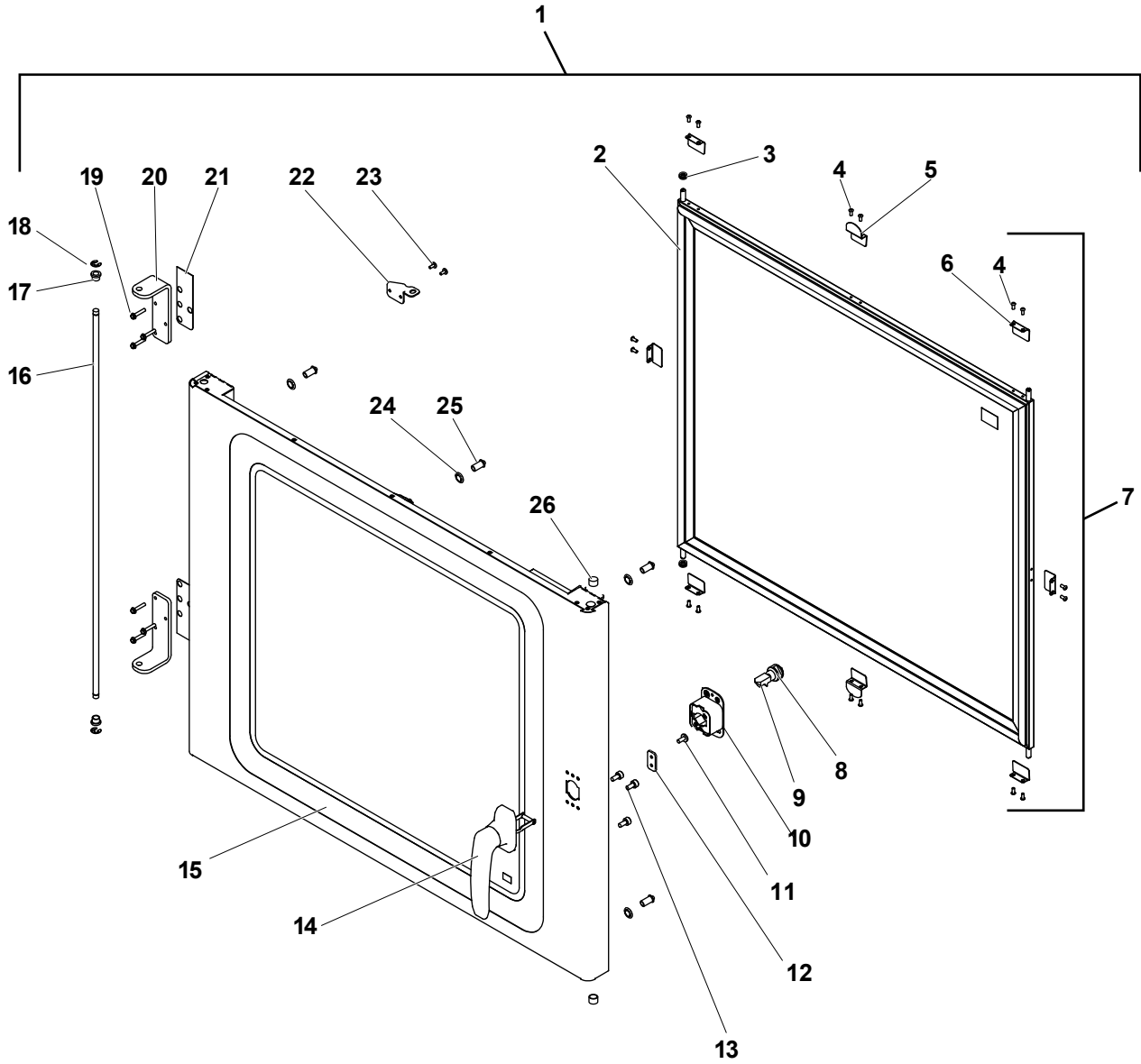


Figure: PL-10 FLEXBAKE 5™ Flat Oven Door Assembly

| Item | Part No. | Description | Qty |
|-----------|----------|--|-----|
| 1 | 514110 | ASSY DOOR FLAT FB5 5/8" RADIUS CORNERS | 1 |
| 2 | 223891 | DOOR, INNER FB5 FLAT DOOR 5-RACK | 1 |
| Not Shown | 2503602 | GASKET, INNER DOOR, REPLACEMENT (27.262" x 32.052") | 1 |
| 3 | 502762 | WASHER, TFLN.500OD.320ID.063T | 8 |
| 4 | TA-8 | SCREW, 8-32 x 3/8"RD PH SS NYLCK MACHINE W/NYLOK PATCH | 16 |
| 5 | 514129 | TAB SWITCH EXTENDED INNER DOOR FB5 | 2 |
| 6 | 514128 | PLATE STRIKE INNER DOOR FB5 | 6 |
| 7 | 2500310 | ASM, DOOR INNER FB5 | 1 |
| 8 | 223894 | NUT, JAM DOOR STRIKE | 1 |
| 9 | 223442 | ASSEMBLY, STRIKE, 2 POSITION | 1 |
| 10 | 223437 | INSERT, HYGIENE | 1 |
| 11 | 223353 | SCREW, 8-32 x 3/8 PPHTCS F W/THREAD LOCK | 1 |
| 12 | 514125 | PLATE BACKER INSERT HYGIENE FB5 | 1 |
| 13 | 223433 | M5-0.8 x 10 SOCKET HEAD CAP SCREW, PLAIN | 3 |
| 14 | 223435 | LATCH, PENDULUM 59.5-69.5MM | 1 |
| 15 | 514111 | ASSY SKIN DOOR FB5 5/8" RADIUS CORNERS | 1 |
| 16 | 223893 | ROD, DOOR/HINGE FLEX BAKE 5, 31" | 1 |
| 17 | 215045 | BRONZE FLANGE BUSHING .625 OD. .38 ID. | 2 |
| 18 | 213324 | E-CLIP FOR HINGE - 3/8" ROD #98408A134 | 2 |
| 19 | 223432 | 10-24 x 1" SERR. HX W/HD MCH SCREW, 18.8 S/S | 6 |
| 20 | 514122 | BRACKET HINGE TL / BR FB5 DOOR | 1 |
| | 514130 | BRACKET HINGE BL / TR FB5 DOOR | |
| 21 | 514123 | PLATE SHIM HINGE FB5 DOOR | 2 |
| 22 | 514118 | HINGE DOOR INNER FB5 LEFT | 1 |
| | 514119 | HINGE DOOR INNER FB5 RIGHT | |
| 23 | 213317 | SCREW, 8-32 x 3/8 PH.TR. SS FOR BURGER KING - 4 PER | 4 |
| 24 | 223419 | RING, LOCKING EXTERNAL 1/2 SHAFT DIA. | 8 |
| 25 | 226161 | PLUNGER SPRING, 1/2" DIA. 4-9 LBS. PRESS FIT | 8 |
| 26 | 216639 | PLUG,HOLE HEYCO 1/2" 3 PER LINE-UP | 2 |

Table: PL-10 FLEXBAKE 5™ Flat Oven Door Assembly

COMPONENT PANEL, NON WI FI – FLAT DOOR MODELS

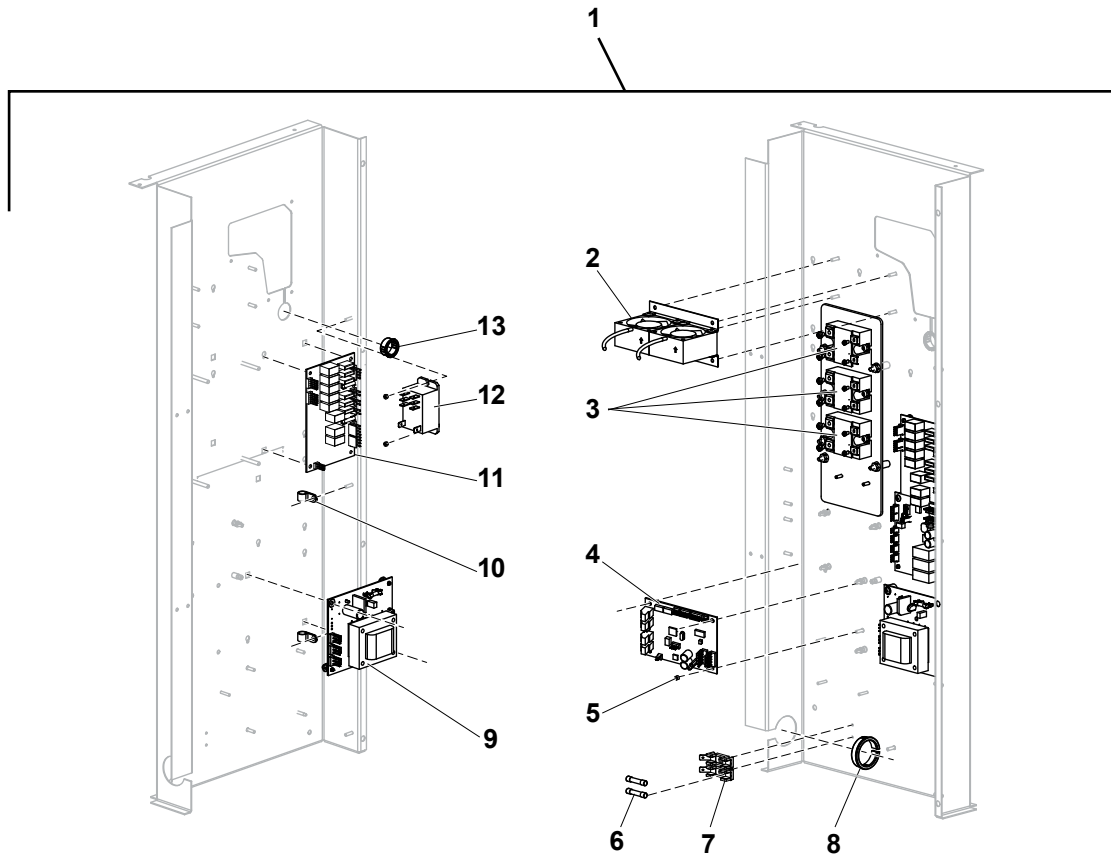


Figure: PL-11 Component Panel, Non Wi Fi – Flat Door Models

| Item | Part No | Description | Qty |
|-----------|------------------------|---|-----|
| 1 | 514227 | PB ASSEMBLY, COMPONENT PANEL | 1 |
| 2 | 514017K | PB ASSEMBLY, AXIAL FANS | 1 |
| 3 | 600373 | KIT, SSR & HEAT TRANSFER PAD (Ref-120005 & 210503) | 1 |
| 4 | 514605 | KIT, REPLACE ELC0001-1, PCB, IO3, FB5 | 1 |
| 5 | 112807 | NUT, 4-40 LOCKNUT, NYLON INSERT, THIN PATTERN ZINC PLATED | 2 |
| 6 | 120103 | FUSE, MODULE CONTROL | 2 |
| 7 | 120102 | Fuse HOLDER, MODULE CONTROL | 1 |
| 8 | 175513 | BUSHING, HEYCO OPEN/CLOSE1-1/2 | 1 |
| 9 | 600351 | SERVICE KIT, 120011 POWER SUPPLY | 1 |
| 10 | 514748 | CLAMP, LOOP 3/8" NYLON | 2 |
| 11 | 514603 | KIT, REPLACE 514703 RELAY BOARD | 1 |
| 12 | 512781 | RELAY, 230V DPDT | 1 |
| 13 | 514795 | BUSHING, .875 O/C HEYCO | 1 |
| Not shown | 120104 | HARNESS, JUMPER MODULE CONTROL | 1 |

Table: PL-11 Component Panel, Non Wi Fi – Flat Door Models

COMPONENT PANEL, WI FI ENABLED – FLAT DOOR MODELS

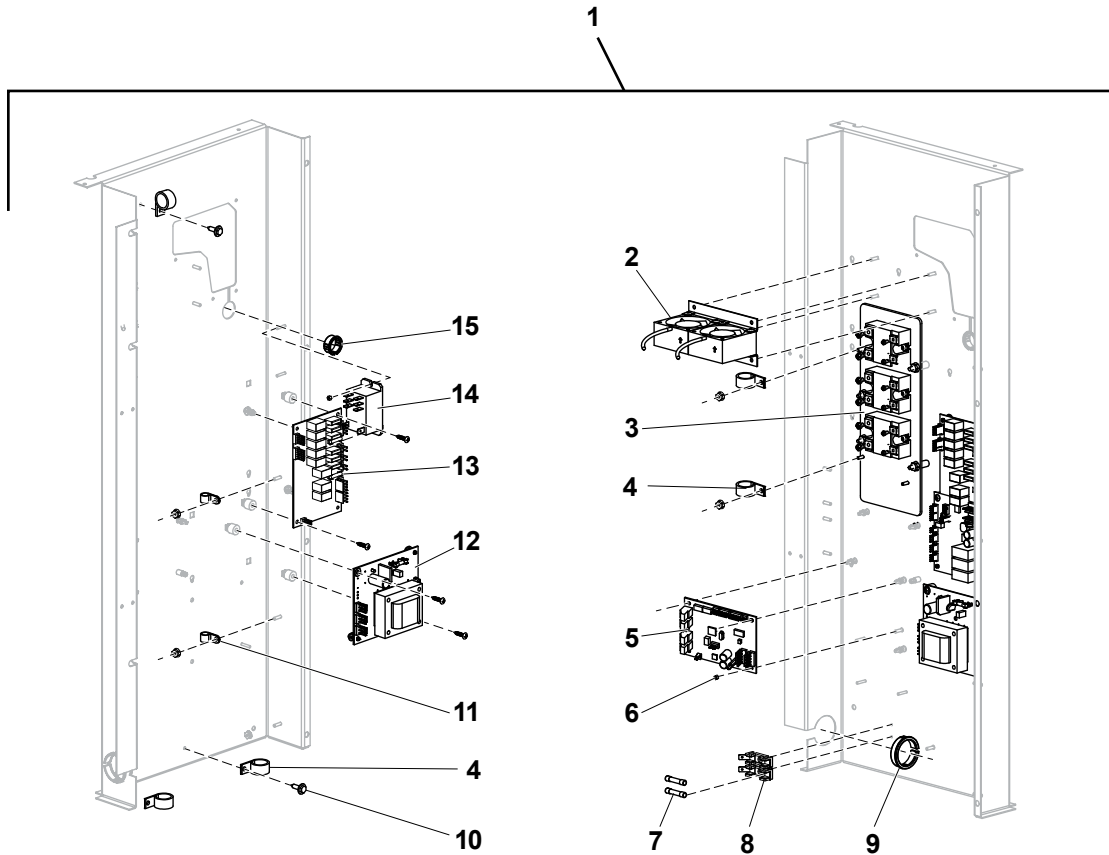


Figure: PL-12 Component Panel, Wi-Fi Enabled – Flat Door Models

| Item | Part No | Description | Qty |
|-----------|---------|---|-----|
| 1 | 514299 | COMPONENT PANEL, WI-FI ENABLED | 1 |
| 2 | 514017K | PB ASY, AXIAL FANS (Ref-514017) | 1 |
| 3 | 600373 | KIT, SSR & HEAT TRANSFER PAD (Ref-120005 & 210503) | 1 |
| 4 | 514872 | CLAMP, WIRE HARNESS, .75" | 5 |
| 5 | 600528 | SERVICE ASSEMBLY, ELC0001-5, IO3 BOARD, FB5 | 1 |
| 6 | 112807 | NUT, 4-40 LOCKNUT, NYLON INSERT, THIN PATTERN ZINC PLATED | 3 |
| 7 | 120103 | FUSE, MODULE CONTROL | 2 |
| 8 | 120102 | FUSE HOLDER, MODULE CONTROL | 1 |
| 9 | 175513 | BUSHING, HEYCO, OPEN/CLOSE1-1/2 | 1 |
| 10 | 430463 | SCREW, 10-16 x 3/4 IHXW US ZP-TEK | 2 |
| 11 | 514748 | CLAMP, LOOP 3/8" NYLON | 2 |
| 12 | 600351 | SERVICE KIT, 120011 POWER SUPPLY | 1 |
| Not Shown | ELC0277 | PCB-VOLTAGE SENSE DAUGHTER (Ref-120011 Power Supply) | 1 |
| Not Shown | ELC0290 | JUMPER CURRENT SENSE 3 TURN (Ref-120011 Power Supply) | 1 |
| 13 | 514603 | SERVICE KIT, 514703 RELAY BOARD | 1 |
| 14 | 512781 | RELAY, 230V DPDT | 1 |
| 15 | 514795 | BUSHING, .875 O/C HEYCO | 1 |
| Not shown | 120104 | HARNESS, JUMPER MODULE CONTROL | 1 |
| Not shown | 167614 | SENSOR, CURRENT | 1 |

Table: PL-12 Component Panel, Wi-Fi Enabled – Flat Door Models

CONTROL PANEL ASSEMBLY, NON WI FI – FLAT DOOR MODELS

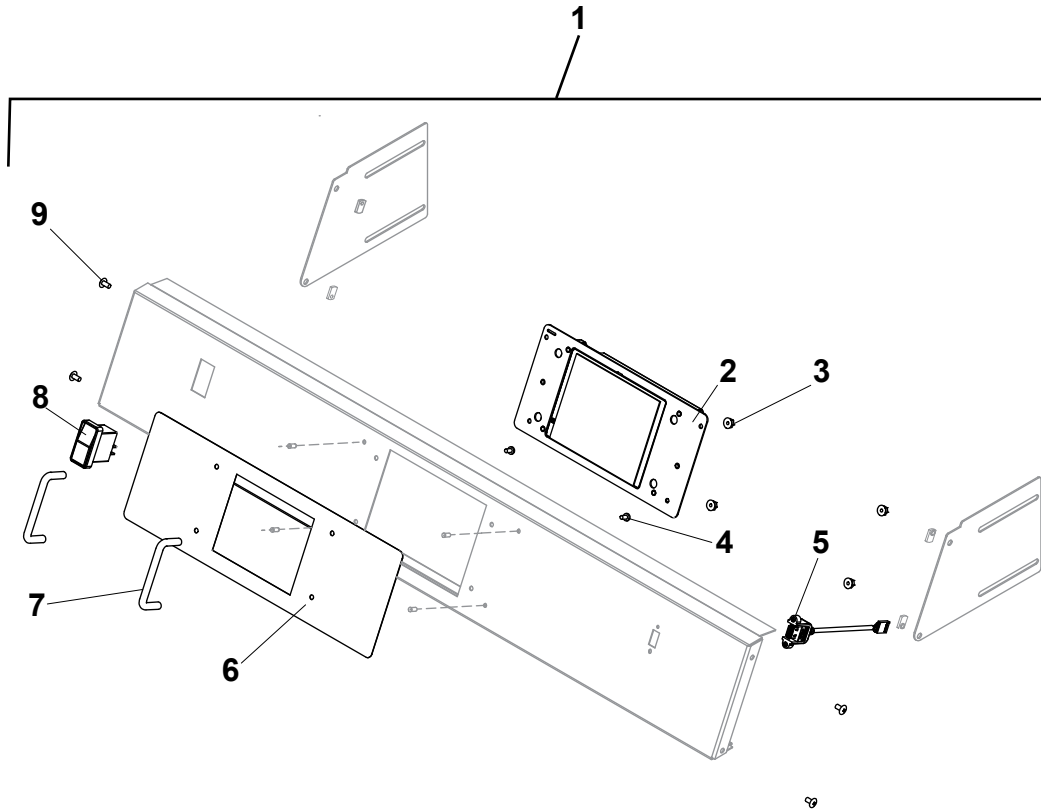


Figure: PL-13 Control Panel Assembly, Non Wi Fi – Flat Door Models

| Item | Part No. | Description | Qty |
|-----------|------------------------|---|-----|
| 1 | 514246 | PB ASY, CONTROL PANEL, 5R-DPBS | 1 |
| 2 | 514609 | KIT, REPLACE ELC0017-3, PCB, FB5 | 1 |
| 3 | 513158 | NUT, 8-32, SHOULDER, SERRATED HEX | 4 |
| 4 | 512611 | SCREW, 8-32X5/16"PN PH ZP | 4 |
| 5 | 120007 | CONNECTOR, USB PANEL MOUNT UPMA5-075M/CA USB-A NCMR | 1 |
| 6 | 514891 | OVERLAY, TOUCHSCREEN ALL-IN-ONE OVEN | 1 |
| 7 | 120026 | HANDLE, .312 DIA x 3" WIDE x 1.312 DEEP | 2 |
| 8 | 169629 | SWITCH, SEALED CARLING | 1 |
| 9 | 213028 | SCREW, 10-24x3/8" PTHMS S/S | 4 |
| Not shown | 512766 | BUZZER, ULTRA SOUND (LOCATED BEHIND CONTROL PANEL ASSEMBLY) | 1 |

Table: PL-13 Control Panel Assembly, Non Wi Fi – Flat Door Models

CONTROL PANEL ASSEMBLY, WI FI ENABLED – FLAT DOOR MODELS

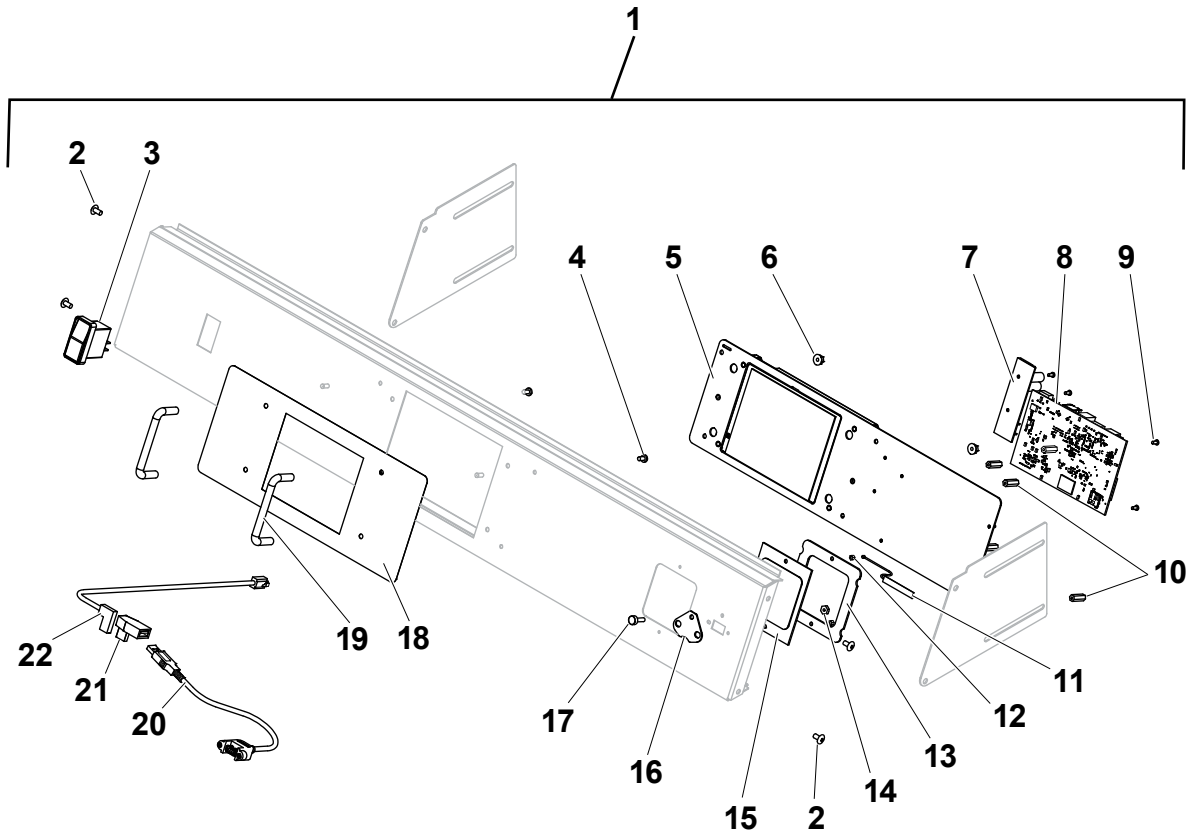


Figure: PL-14 Control Panel Assembly, Wi Fi Enabled – Flat Door Models

| Item | Part No. | Description | Qty |
|------|------------------------|--|-----|
| 1 | 514273 | PB ASSEMBLY, CONTROL PANEL (Wi-Fi Enabled Units) | 1 |
| 2 | 213028 | SCREW, 10-24 x 3/8" PTHMS S/S | 4 |
| 3 | 169629 | SWITCH, SEALED CARLING | 1 |
| 4 | 512611 | SCREW, 8-32 x 5/16" PN PH ZP | 4 |
| 5 | 600521 | SERVICE KIT, ELCOO17-5 PCB | 1 |
| 6 | 513158 | NUT, 8-32 SHOULDER SERRATED HEX FLANGE Z ZINC | 4 |
| 7 | 600524 | SERVICE KIT, ELC1084 FILTER BOARD, FB5 | 1 |
| 8 | 600522 | SERVICE KIT, ELC0221 DEB, FB5 (Ref-ELC0218 Programmed) | 1 |
| 9 | 514903 | Screw, Nylon, PPH, 4-40 x 1/4" LG | 6 |
| 10 | 514901 | Standoff | 6 |
| 11 | 514896 | Antenna, Taoglas | 1 |
| 12 | 112807 | NUT, 4-40 LOCKNUT, NYLON INSERT, THIN PATTERN ZINC PLATED | 2 |
| 13 | 514587 | PB PLATE, SUPPORT, ANTENNA WINDOW | 1 |
| 14 | 1059-0732 | FLEX HEAD LOCKNUT, 8-32 SS | 1 |
| 15 | 514899 | PB COVER, ANTENNA | 1 |
| 16 | 1059-0679 | COVER, USB | 1 |
| 17 | 1059-0731 | SCREW, KNURLED THUMB, 8-32 x 5/8 SS | 1 |
| 18 | 514891 | OVERLAY, TOUCHSCREEN ALL-IN-ONE OVEN | 1 |
| 19 | 120026 | HANDLE, .312 DIA x 3" WIDE x 1.312 DEEP | 2 |
| 20 | 166141 | JUMPER, USB TO USB | 1 |
| 21 | 118712 | Right Angle USB 2.0 Male to Right Facing Female Vertical Extension Adapter | 1 |
| 22 | 514904 | Cable, CAT5e, Left Angle to Straight | 1 |

Table: PL-14 Control Panel Assembly, Wi Fi Enabled – Flat Door Models

FACADE ASSEMBLY – FLAT DOOR MODELS – DOMESTIC UNITS

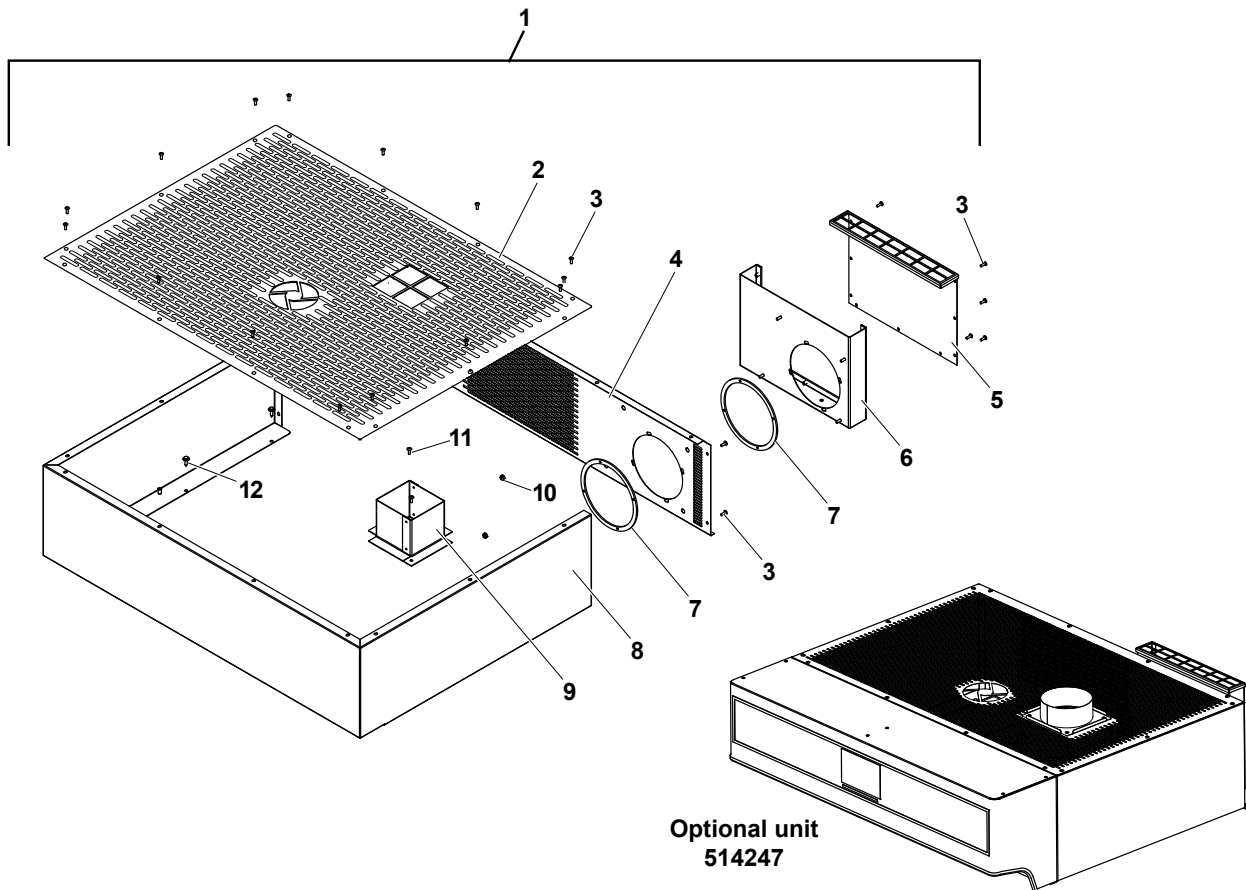


Figure: PL-15 Facade Assembly – Flat Door Models – Domestic Units

| Item | Part No. | Description | Qty |
|---------------|------------------------|--|-----|
| 1 | 514244 | PB ASY, FAÇADE, DOM | 1 |
| 2 | 514562 | PB COVER, TOP, FAÇADE, DOM | 1 |
| 3 | 279500 | SCREW, 8-32X1/2" PTHMS 18-8SS | 31 |
| 4 | 514563 | PB PANEL, REAR, FAÇADE, DOM | 1 |
| 5 | 514565 | PB COVER, VENT BOX, SHORT | 1 |
| 6 | 514243 | PB ASY, VENT BOX, DOM FAÇADE | 1 |
| 7 | 514814 | GASKET, ROUND, VENT BOX FB5 | 2 |
| 8 | 514561 | PB WRAPPER, FAÇADE, DOM | 1 |
| 9 | 514242 | PB WELDMENT, EXH EXT, DOM FAÇADE | 1 |
| 10 | 168144 | NUT, SERRATED 10-32 S/S V#NSFL10F00HSTSS | 4 |
| 11 | 213027 | SCREW, 10-24x1/2" PTHMS S/S | 2 |
| 12 | 430463 | SCREW, 10-16X3/4IHXW US ZP-TEK | 6 |
| Optional Unit | 514247 | ASY, TOP LEVEL, IVS, DOM | 1 |

Table: PL-15 Facade Assembly – Flat Door Models – Domestic Units

FACADE ASSEMBLY – FLAT DOOR MODELS – CE UNITS

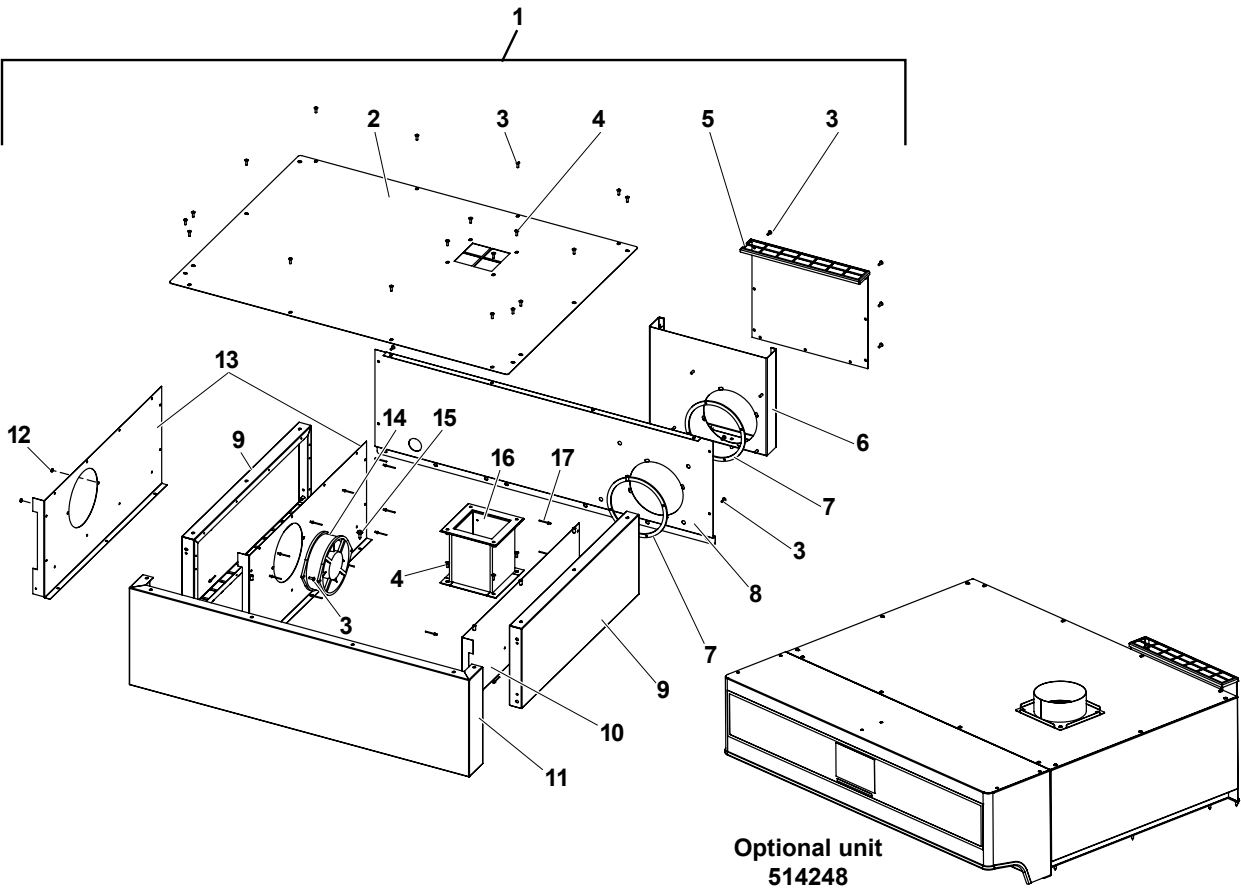


Figure: PL-16 Facade Assembly – Flat Door Models – CE Units

| Item | Part No. | Description | Qty |
|---------------|----------|-----------------------------------|-----|
| 1 | 514225 | PB ASY, FAÇADE, CE | 1 |
| 2 | 514552 | PB COVER, FAÇADE | 1 |
| 3 | 279500 | SCREW, 8-32X1/2" PTHMS 18-8SS | 31 |
| 4 | 213027 | SCREW, 10-24x1/2" PTHMS S/S | 8 |
| 5 | 514530 | PB COVER, VENT BOX | 1 |
| 6 | 514222 | PB ASY, VENT BOX | 1 |
| 7 | 514814 | GASKET, ROUND, VENT BOX FB5 | 2 |
| 8 | 514531 | PB IVS BACK, FAÇADE, CE | 1 |
| 9 | 514549 | PB PANEL, SIDE, FAÇADE | 2 |
| 10 | 514551 | PB PANEL, INNER, RIGHT | 1 |
| 11 | 514548 | PB FRONT, FAÇADE | 1 |
| 12 | 213214 | NUT PEM 8-32 PF-H | 2 |
| 13 | 514550 | PB PANEL, INNER, LEFT | 1 |
| 14 | 514866 | FAN, AXIAL, 230V | 1 |
| 15 | 430463 | SCREW, 10-16X3/4IHXX US ZP-TEK | 6 |
| 16 | 514230 | PB ASY, EXHAUST EXTENSION, UPPER | 1 |
| 17 | 213111 | RIVET 1/8"DIA SS/SS POP 42D SS/SS | 26 |
| Optional Unit | 514248 | ASY, TOP LEVEL, IVS, CE | 1 |

Table: PL-16 Facade Assembly – Flat Door Models – CE Units

CONVECTION MOTOR ASSEMBLY – FLAT DOOR MODELS

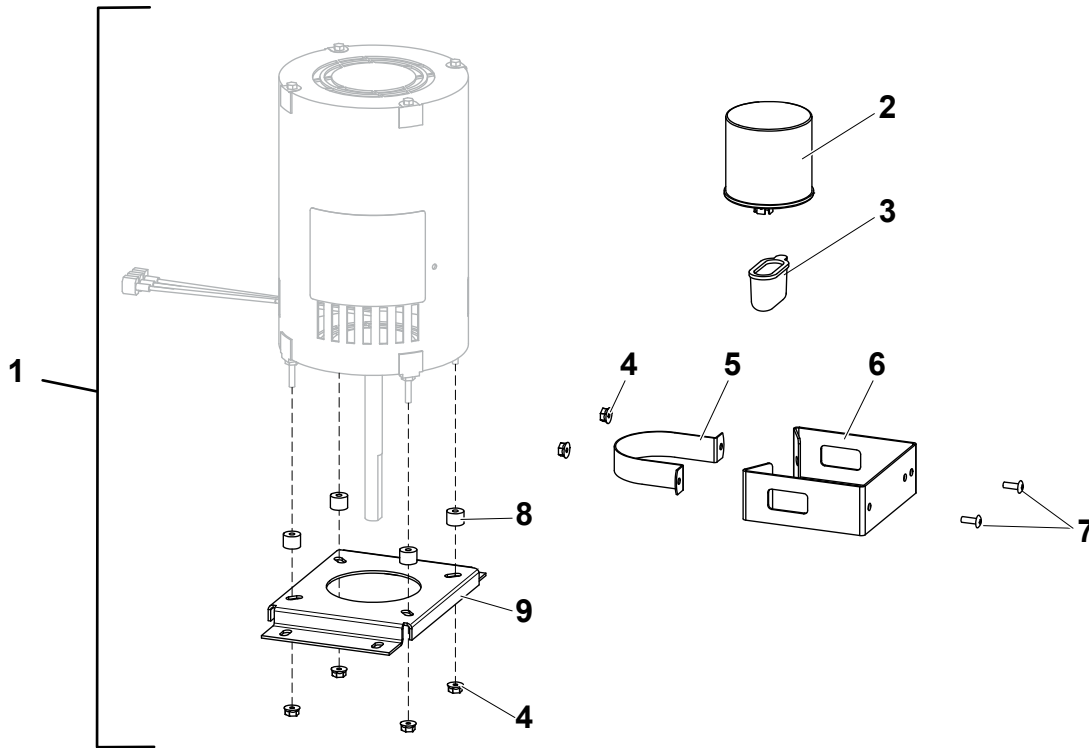


Figure: PL-17 Convection Motor Assembly – Flat Door Models

| Item | Part No. | Description | Qty |
|------|-------------------------|---|-----|
| 1 | 514070K | Service Kit, Convection Motor, 208V 60Hz (Ref-514070) | 1 |
| | 514217K | Service Kit, Convection Motor, 240V 60Hz (Ref-514217) | |
| | 514232K | Service Kit, Convection Motor, 230V 50Hz (Ref-514232) | |
| 2 | 514885 | CAPACITOR RUN 15MF, 660V, 70C | 1 |
| 3 | 514888 | BOOT, CAPACITOR, BLUFFTON 292540101 | 1 |
| 4 | 513158 | NUT, 8-32 SHLDR SERRATED HEX FLANGE Z ZINC | 6 |
| 5 | 514895 | STRAP, CAPACITOR, 2.5" DIA. | 1 |
| 6 | 514568 | PB BRKT, CAPACITOR, CONV, MOTOR | 1 |
| 7 | 279500 | SCREW, 8-32X1/2" PTHMS 18-8SS | 2 |
| 8 | 514797 | SPACER, .166X.500X.375 LONG | 4 |
| 9 | 512523 | BRACKET, MOTOR MTG OVEN NO AUDIT | 1 |

Table: PL-17 Convection Motor Assembly – Flat Door Models

WATER COMPONENTS ASSEMBLY – ALL MODELS

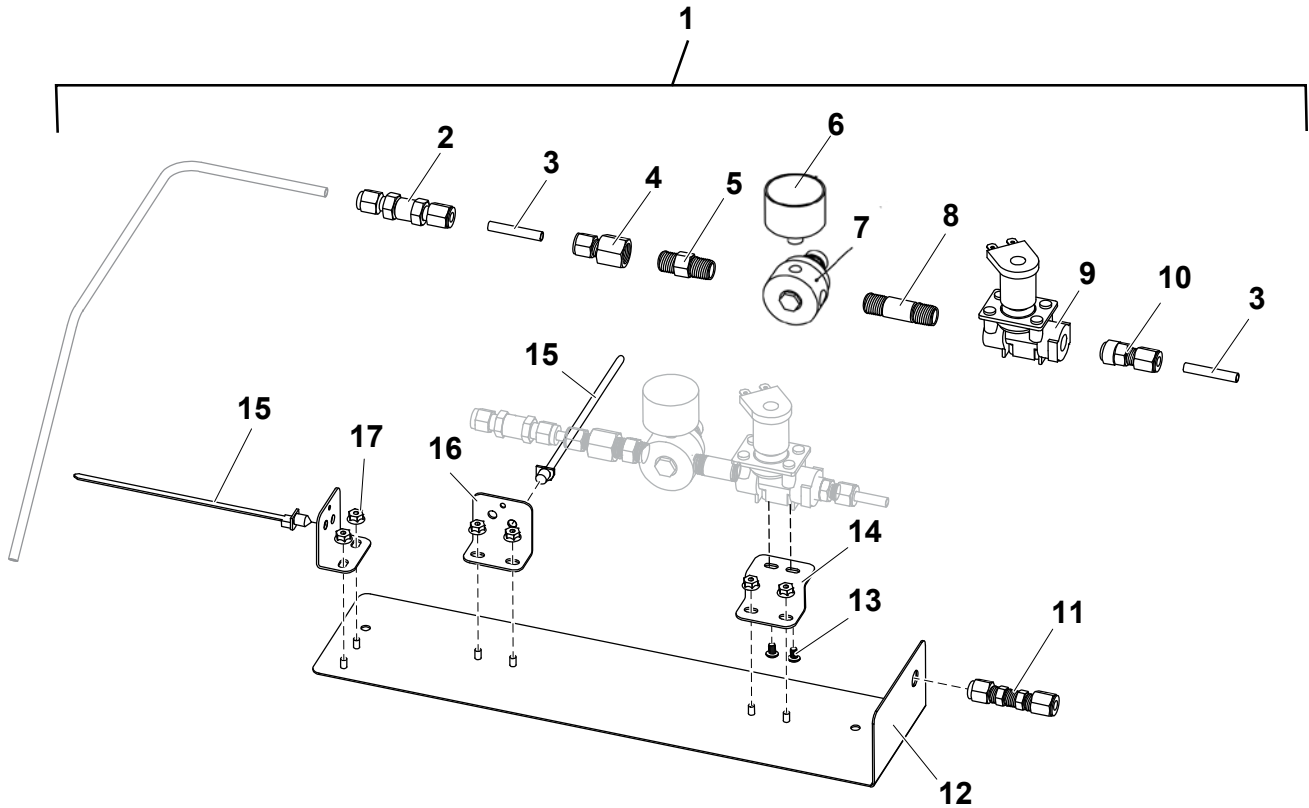


Figure: PL-18 Water Components Assembly – All Models

| Item | Part No. | Description | Qty |
|-----------|------------------------|--|-----|
| 1 | 514019 | ASSEMBLY, WATER COMPONENTS | 1 |
| 2 | 514734 | CHECK VALVE #45385K54 | 1 |
| 3 | 514730 | TUBING, PB BULKHEAD TO TEE PB5 (ALL-N-ONE) | 2 |
| 4 | 514733 | FITTING, 1/4 PIPE FEMALE X 1/4 TUBE #5182K251 | 1 |
| 5 | 169602 | ORIFICE, FLOW RESTRICTOR 0.035" ORIFICE DIA. 1/4"NPT MALE | 1 |
| 6 | 524833 | PRESSURE GUAGE | 1 |
| 7 | 524832 | REGULATOR | 1 |
| 8 | 514732 | NIPPLE, PIPE 1/4NPTX2" 304SS #4830K133 | 1 |
| 9 | 514731 | VALVE, SOLENOID WATER #P462 W/41.9.5.9 | 1 |
| 10 | 514737 | FITTING, 1/4 PIPE MALE TO 1/4 TUBE #5182K111 | 1 |
| 11 | 514729 | BULKHEAD, 1/4" TUBE 316SS. #5182K375 | 1 |
| Not Shown | 169735 | FITTING, ELBOW 1/4" TUBE X 1/4" TUBE <i>(Used with 512531 Clips)</i> | 1 |
| Not Shown | 512531 | CLIP, RED LOCKING 1/4" TUBE <i>(Used with 169735 Fitting)</i> | 2 |
| 12 | 514033 | PB ASY, PLATE, WATER COMP | 1 |
| 13 | 514735 | SCREW, THREAD FORMING FOR PLASTIC #8-16 1/4L SS | 2 |
| 14 | 514352 | PB BRACKET, WATER SOLENOID, ALL IN ONE OVEN | 1 |
| 15 | 514738 | CABLE TIE, PANEL MOUNT #6686K21 | 1 |
| 16 | 514353 | PB ANGLE, CHECK VALVE, ALL IN ONE OVEN | 2 |
| 17 | 513158 | NUT, 8-32 SHLDR SERRATED HEX FLANGE Z ZINC | 6 |

Table: PL-18 Water Components Assembly – All Models

INLET DUCT ASSEMBLY – ALL MODELS

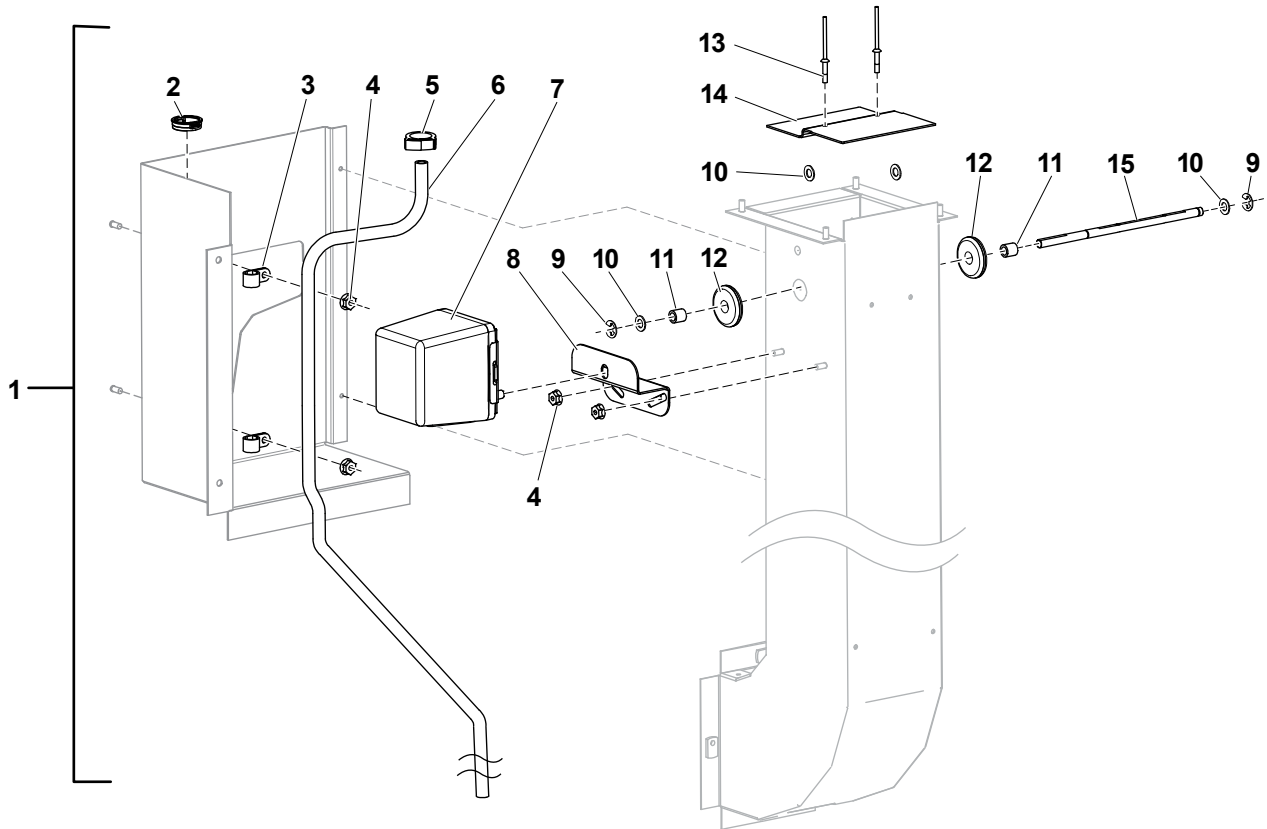


Figure: PL-19 Inlet Duct Assembly – All Models

| Item | Part No. | Description | Qty |
|------|------------------------|--|-----|
| 1 | 514137 | PB ASY DUCT INLET LW 208V | 1 |
| | 514251 | PB ASY DUCT INLET LW 240V | |
| | 514252 | PB ASY DUCT INLET LW 230V 50Hz | |
| 2 | 212911 | BUSHING,7/8" HEYCO 2850 | 1 |
| 3 | 514748 | CLAMP, LOOP 3/8 NYLON | 2 |
| 4 | 513158 | NUT, 8-32 SHLDR SERRATED HEX FLANGE Z ZINC | 4 |
| 5 | 514827 | CLAMP, HOSE 22/64" TO 25/64" RANGE. SINGLE SNP NYLON | 1 |
| 6 | 514791 | PB TUBE, BLOWER DRAWIN PB5 OVEN | 1 |
| 7 | 514810 | ACTUATOR, DAMPER, 4 RPM, 208V 60Hz | 1 |
| | 514864 | ACTUATOR, DAMPER, 4 RPM, 240V 60HZ | |
| | 514829 | ACTUATOR, DAMPER, 4 RPM, 230V 50HZ | |
| 8 | 514340 | PB BRACKET, ACTUATOR, ALL IN ONE OVEN | 1 |
| 9 | 514857 | RING, RETAINING, E-CLIP, SS, .250 | 2 |
| 10 | 514858 | WASHER, FLAT, SS, .250 | 4 |
| 11 | 514856 | BEARING, PTFE, .250ID X .375OD X .375 LG | 2 |
| 12 | 514855 | GROMMET, SILICONE, 1" | 2 |
| 13 | 213336 | RIVET, 1/8" SSx3/8-POP SSD-44-SSBS | 2 |
| 14 | 514523 | PB DAMPER, INLET | 1 |
| 15 | 514834 | PB SHAFT, INLET DAMPER | 1 |

Table: PL-19 Inlet Duct Assembly – All Models

DOOR SWITCH ASSEMBLY – ALL MODELS

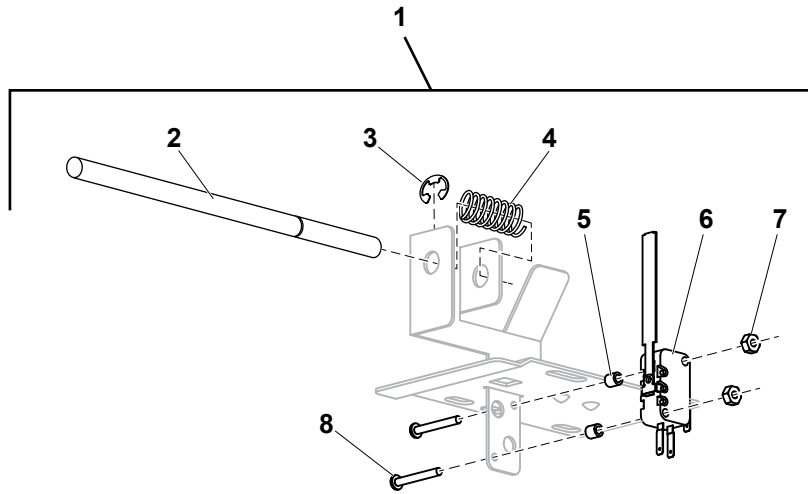


Figure: PL-20 Door Switch Assembly – All Models

| Item | Part No. | Description | Qty |
|------|----------|------------------------------------|-----|
| 1 | 512569 | ASY, DOOR SWITCH MOUNTING BRACKET | 1 |
| 2 | 512821 | PLUNGER, ROD DOOR SWITCH | 1 |
| 3 | 512828 | CLIP, RETAINING E-RING | 1 |
| 4 | 512843 | SPRING, COMPRESSION STAINLESS | 1 |
| 5 | 502787 | SPACER, ALUM. #4-406-- # 92510A295 | 2 |
| 6 | 512814 | SWITCH, DOOR AHPO-6/18 | 1 |
| 7 | 112807 | NUT, 4-40 LOCKNUT, NYLON INSERT | 2 |
| 8 | 512248 | SCREW, 4-40X7/8"PN PH ZP | 2 |

Table: PL-20 Door Switch Assembly – All models

PROOFER-OVEN PARTS KIT – ALL MODELS

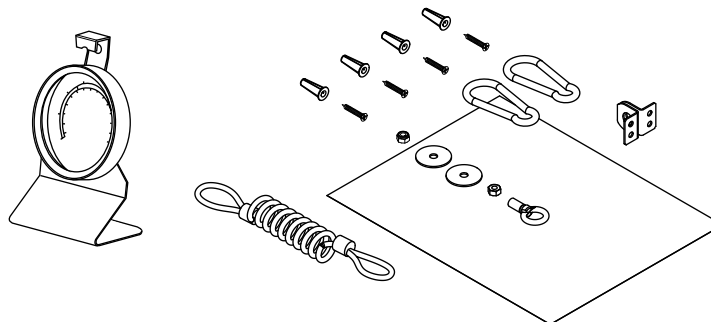


Figure: PL-21 Proofer-Oven Parts Kit – All models

| Item | Part No. | Description | Qty |
|------|----------|-------------------------|-----|
| 1 | 502928 | KIT, PARTS PROOFER/OVEN | 1 |

Table: PL-21 Proofer-Oven Parts Kit – All Models

OVEN STAND – ALL MODELS

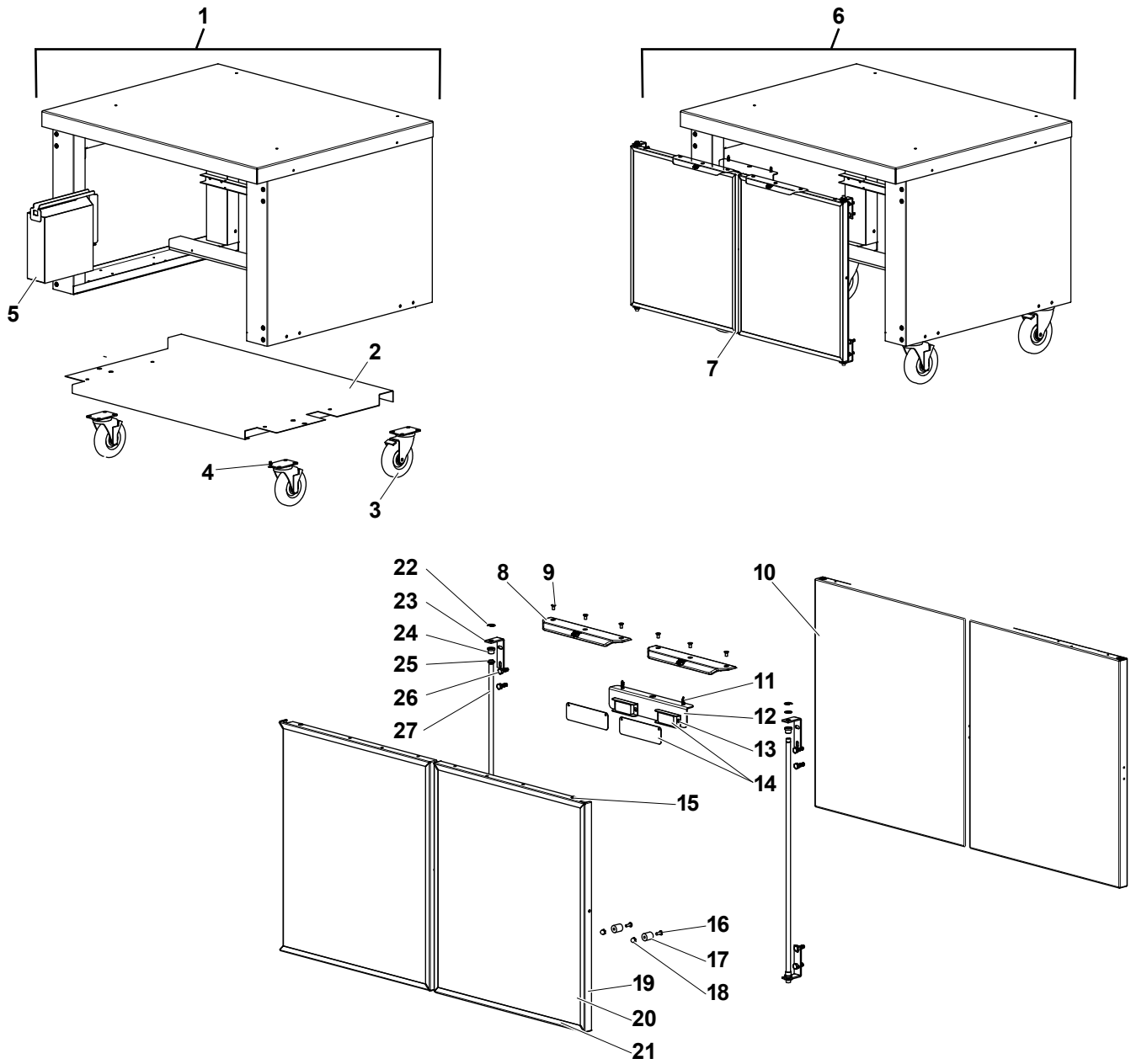
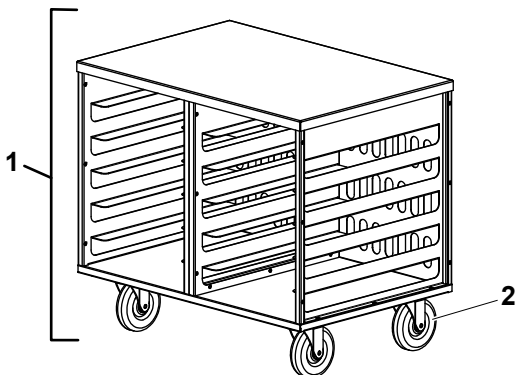


Figure: PL-22 Oven Stand – All Models

| Item | Part No. | Description | Qty |
|------|----------|---|-----|
| 1 | 259789 | OVEN STAND, WITHOUT DOORS & SHELF | 1 |
| 2 | 514275 | ASY, SHELF, OVEN STAND, FB5 | 1 |
| 3 | 214535 | CASTER, 5" W/BRK SWIVEL (6" LOAD HEIGHT) | 4 |
| 4 | 213023 | SCREW, 1/4-20x1/2" TRD FRM | 1 |
| 5 | 514000 | PB WELDMENT, WATER PAN, ALL-IN-ONE OVEN STAND | 1 |
| 6 | 514277 | OVEN STAND, WITH DOORS & SHELF | 1 |
| 7 | 514276 | ASY, DOORS, OVEN STAND, FB5 | 1 |
| 8 | 255941 | ASY, BC HANDLE PAINTED BOM QTY/ PAINT LABOR | 2 |
| 9 | 213391 | SCREW, 10-24x3/8"PHFLHD SS PAINTED BLACK | 6 |
| 10 | RS048530 | ASY DOOR PAINTED 37.313 X 28T | 2 |
| 11 | 430463 | SCREW, 10-16X3/4IHXW US ZP-TEK | 2 |
| 12 | RS049571 | ANGLE DOOR MTG SS ROTF | 1 |
| 13 | 213192 | RIVET, #54D SS POP RIVET | 1 |
| 14 | 215318 | MAGNET,#M35-1000 W/STRIKE SUBWAY DOORS MAGNET | 2 |
| 15 | 213266 | SCREW, 8-32x3/16" TRUSS HD SLOTTED MACHINE SCREW | 4 |
| 16 | 213064 | SCREW, 10-24x1/2" TCS RD H | 2 |
| 17 | 214400 | BUMPER, RUBBER W/WASHER | 2 |
| 18 | 213040 | NUT, 10-24 HEX CAP NICKEL PLATED MILD STEEL | 2 |
| 19 | RS049379 | TRIM DOOR 37.313 TR/BL 28t ROTF FB5 STAND .5" | 2 |
| 20 | 2501411 | LAMINATE 430SS 17.907 X 20.188TALL OVENSTAND | 2 |
| 21 | RS049378 | TRIM DOOR 37.313 TL/BR 28t ROTF FB5 STAND .5" | 2 |
| 22 | 213324 | E-CLIP FOR HINGE - 3/8" ROD #98408A134 | 4 |
| 23 | 251420 | ANGLE DOOR HINGE SC ROD WITH HARDWARE | 4 |
| 24 | 215045 | BRONZE FLANGE BUSHING .625 OD. .38 ID. | 4 |
| 25 | 213325 | WASHER, FLAT 5/8OD X.390ID SS,.031 thick, 18-8 ss | 4 |
| 26 | 213290 | BOLT, 1/4-20 X 3/4 IND HD | 8 |
| 27 | RS020028 | ROD HINGE S.S. 21.625" 3/8" SUBWAY BC | 2 |
| NS | 514274 | KIT, DOORS & SHELF, OVEN STAND, FB5 | 1 |

Table: PL-22 Oven Stand

COOLRACK BREAD RACK – ALL MODELS

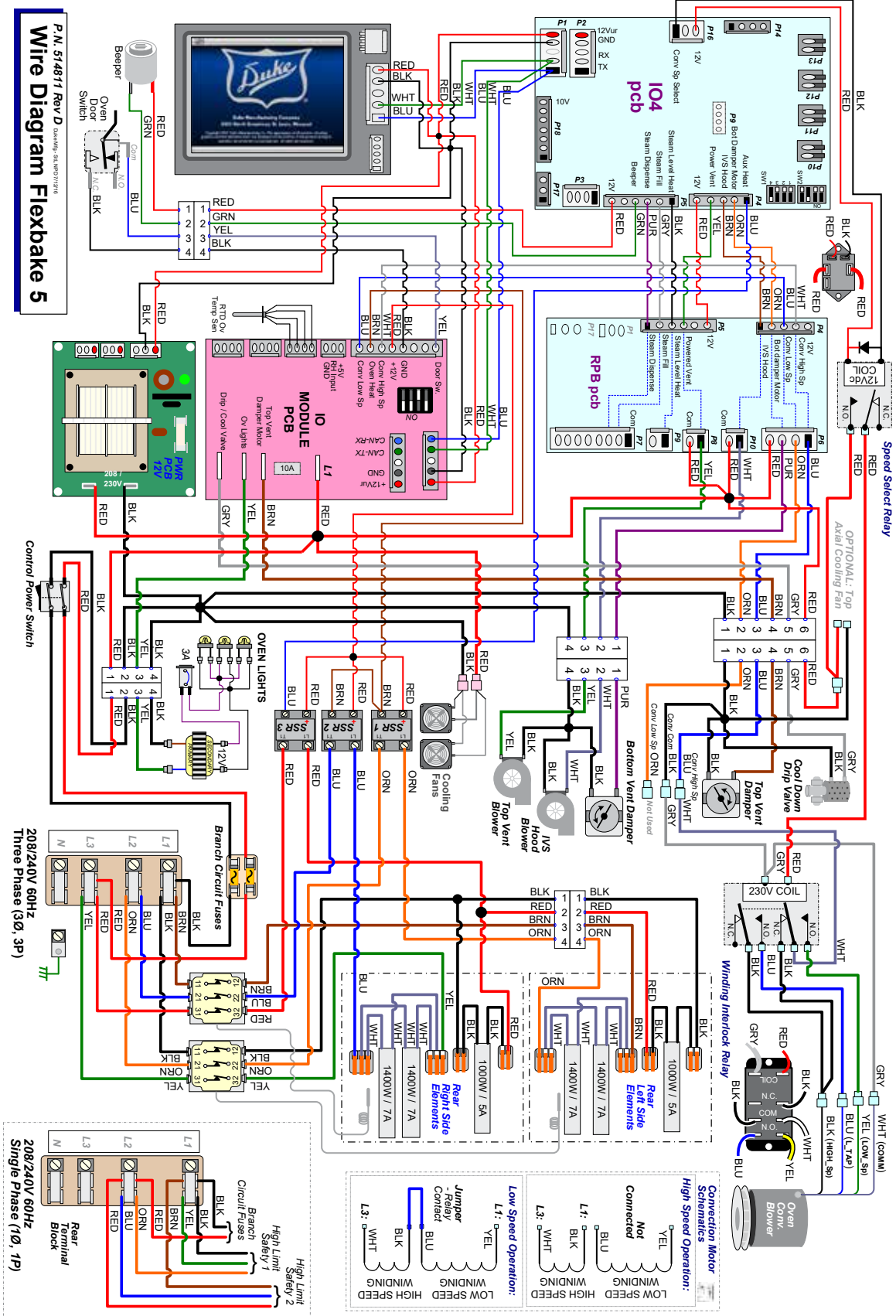


| Item | Part No. | Description | Qty |
|------|----------|--|-----|
| 1 | 259716 | COOLRACK, BREAD RACK | 1 |
| 2 | 214540 | CASTER,5"SWIVEL,6"LOADHT POLYURETHANE, PLATE STYLE | 4 |

Table: PL-23
Coolrack Bread Rack – All Models

Figure: PL-23
Coolrack Bread Rack – All Models

WIRING DIAGRAM – CURVED DOOR MODELS



Notes:



Your Solutions Partner

Duke Manufacturing Company

2305 N. Broadway
St. Louis, MO 63102
Phone: 314-231-1130
Toll Free: 1-800-735-3853
Fax: 314-231-5074
www.dukemfg.com