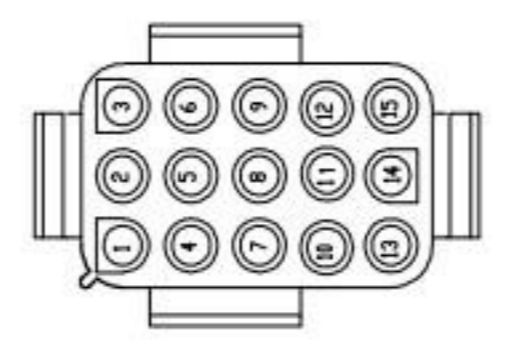
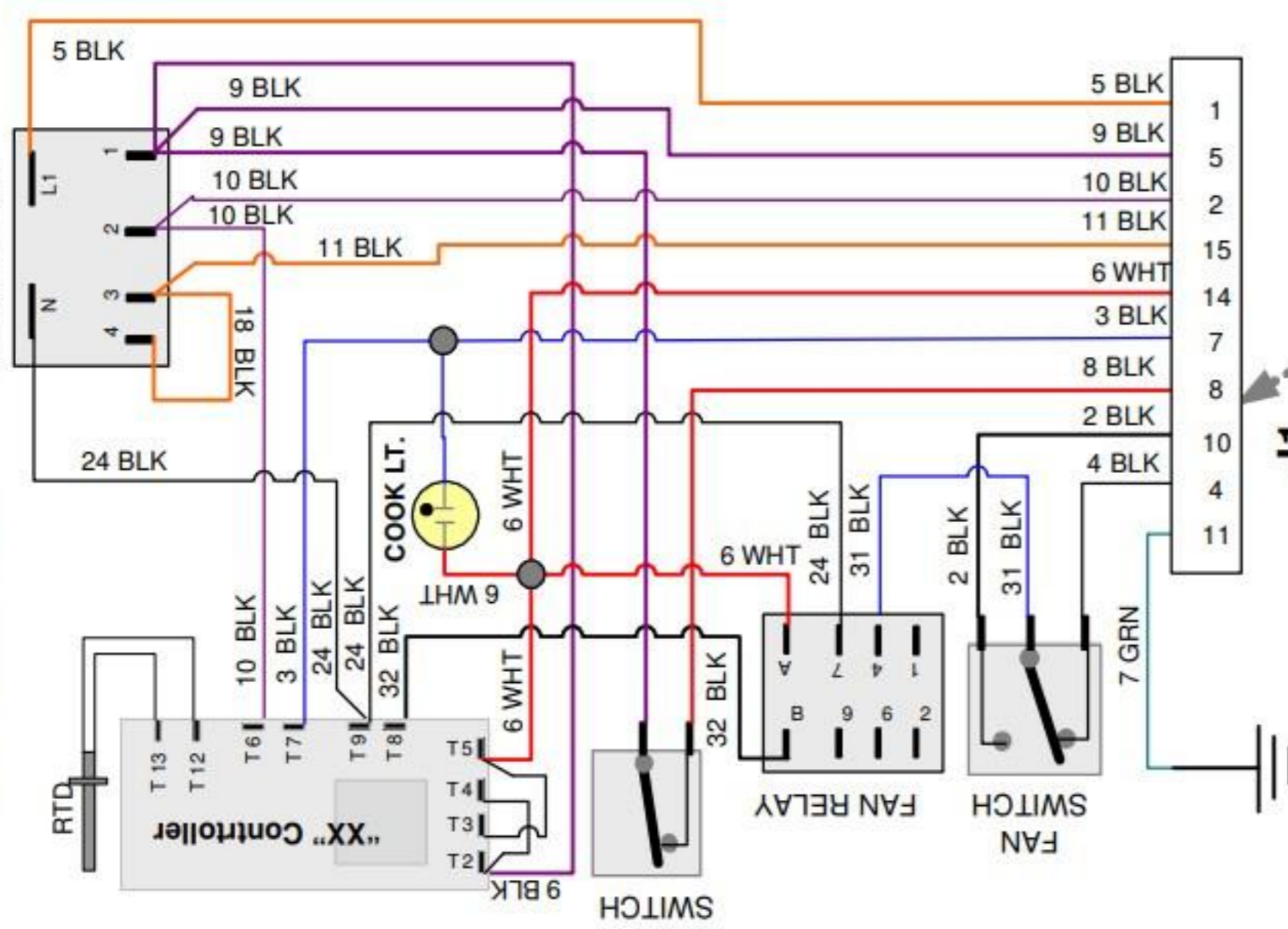
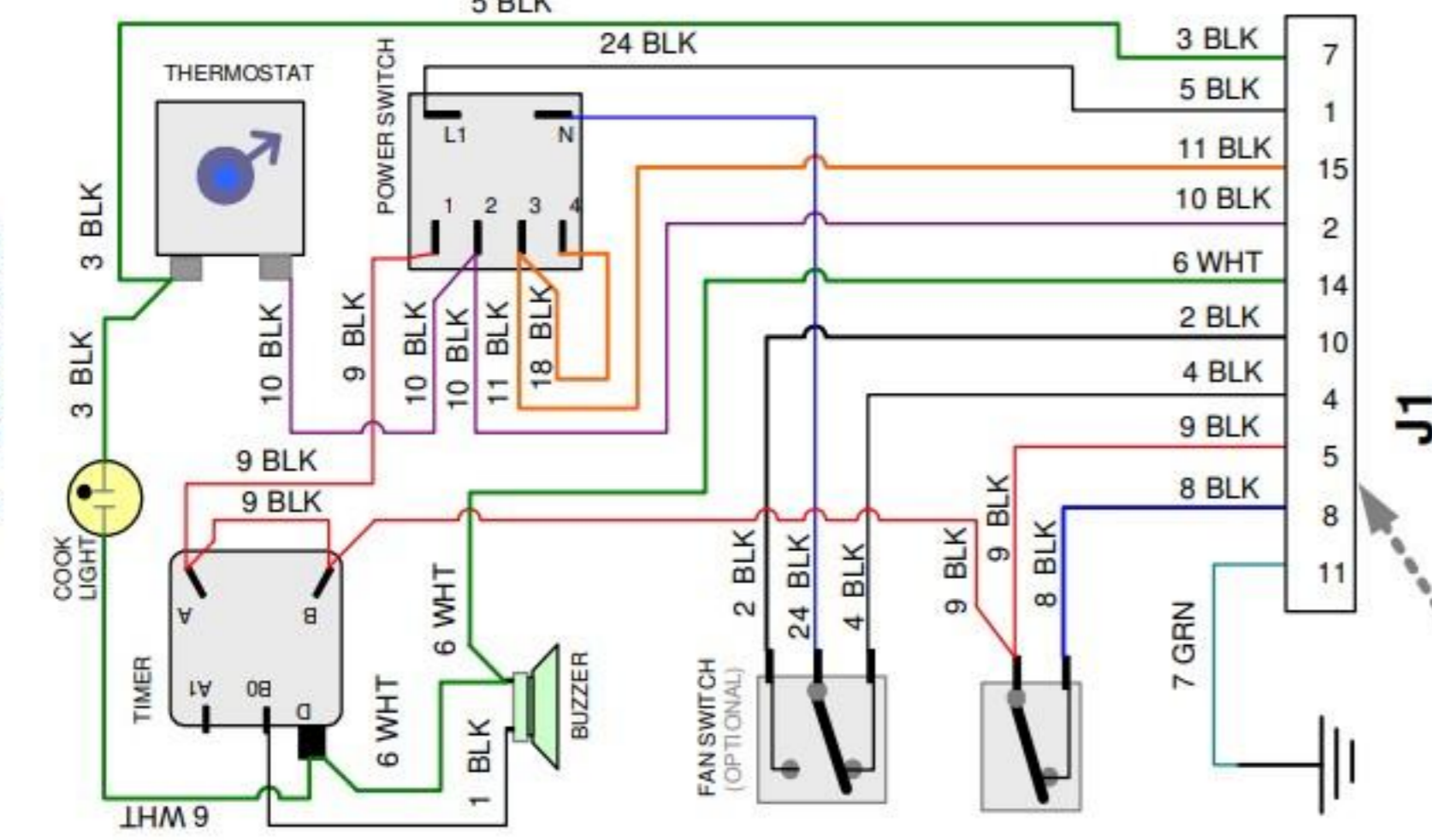


"XX" Controller

"V" Controller



J1
Cabinet Harness
(optional J1 controller harness connect)

