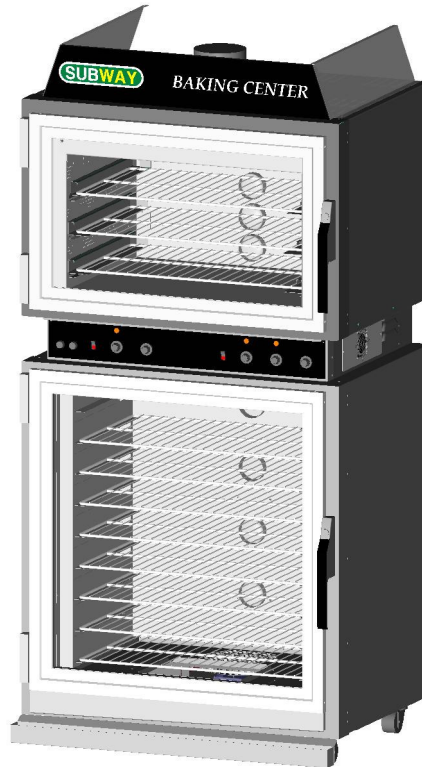




AHPO-6/18 GOLD Proofer Oven

Installation and Service guide
For Service and Installation Personnel Only



For information or technical assistance, call

011-314-231-1130

TABLE OF CONTENTS

GENERAL SPECIFICATIONS..... 3
INSTALLATION 4-7
DOOR ADJUSTMENTS & GASKET MAINTENANCE 8
REVERSING OVEN DOOR SWING DIRECTION..... 8
PROOFER DRIP CHANNEL REVERSAL 9
DOOR GASKET LEAK ADJUSTMENTS 10
GASKET REPLACEMENT 11
ELECTRICAL SCHEMATICS 12
REPLACEMENT PARTS..... 13-15

NOTE:

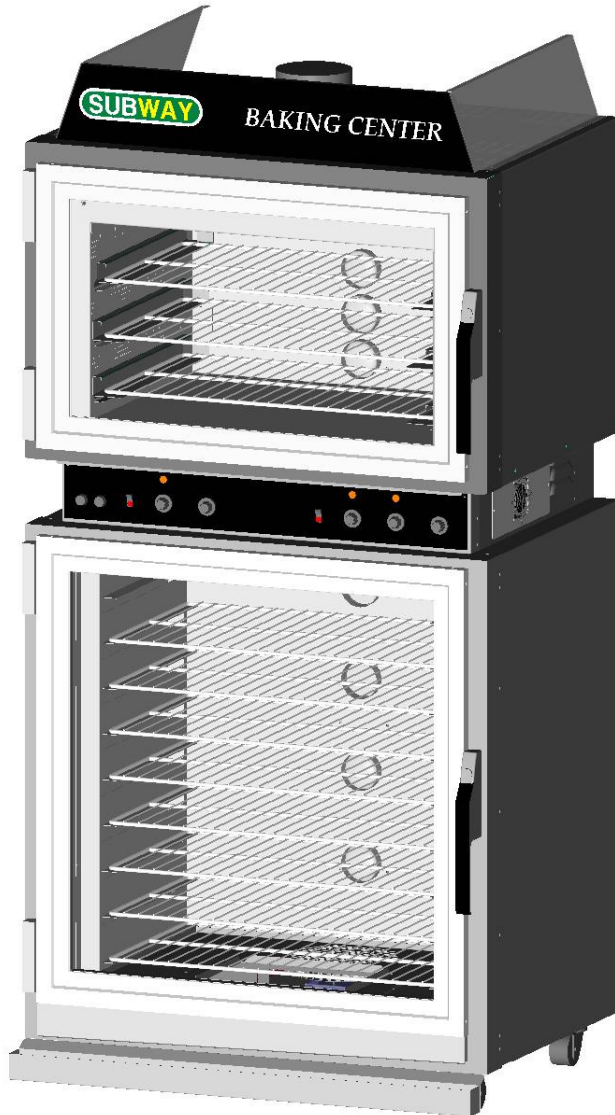
This manual intended to be used by qualified service personnel only.

WARNING:

A disconnection means having a contact spacing of at least 3 mm in all poles shall be incorporated in the fixed wiring. Appliance power switches do not provide sufficient spacing to be used as a disconnection means.



General Specifications



Supplier Name: Duke Manufacturing Co.
 Address: 2305 North Broadway
 St. Louis, MO 63102
 Model #: **AHPO-6/18**
 Serial #: _____
 Date Received: _____
 Date Installed: _____
 Toll Free Telephone: **1-800-735-3853**
 Fax: 1-314-231-5074
 Service Referral #: _____
 Local Service Name: _____
 Local Service #: _____

General Specifications

Model #: **AHPO-6/18**

Overall Dimensions

Height: 77 3/4 in./197.5cm
 Width: 37 1/4 in./94.6cm
 Depth: 27 1/4 in./69.2cm

ELECTRICAL SPECIFICATIONS

Phase	Volts	AMPS	WATTS
1	230	26.5	6100
3N	230/400	16.0	6100

Shipping Weight: 550lbs / 250kg

Installation Requirements

Power Connection: Unit is to be permanently attached to fixed wiring using conduit or cable only. To be installed by qualified service personnel only.
NO ALUMINUM WIRING ALLOWED

WARNING:

Risk of Injury.

Unit must be permanently attached to wall using wall-mounting brackets. See Figure 1.1 on page 4

WARNING:

A disconnection means having a contact spacing of at least 3 mm in all poles shall be incorporated in the fixed wiring. Appliance power switches do not provide sufficient spacing to be used as a disconnection means.



INSTALLATION

INSPECTION

- **Damage** - Inspect the exterior of the shipping container carefully and note any damage on the delivery receipt. Remove the shipping container and check for damage to the oven. If there is any damage file a freight claim with the carrier and call Duke at 800-735-3853.
- **Voltage** - Compare the voltage and phase from the oven specification label to the power supply for the oven and call Duke if there is a difference. If the phase is wrong, a qualified service technician can change the wire connections inside the oven to correct the problem.
- **Doors** - Check the swing of the door. The hinge side can be changed by following the instructions on page 7. The door swing direction can be changed in the field after you have a new drip channel for the proofer door. Call Duke to get the new drip channel for the proofer door.
- **Seals** - Check the door seal and make sure both doors close completely. If they do not close and seal properly, call Duke for assistance. See instructions on page 9.

SETUP

- **Wall Brackets** – To prevent tipping, securely attach oven to wall using brackets shown in figure 1.1 on page 4.
- **IMPORTANT:** A minimum clearance of 6" from the top of the unit to the ceiling must be provided.
- **Lights** - Remove the light bulbs from the shipping container and install them in the oven and proofer before the oven is connected to the power supply. The light bulb covers can be removed by turning them counter-clockwise. Make sure the gasket is in place when replacing the covers. If you replace the light bulbs, make sure they are the correct voltage and a maximum rating of 40 watts. Contact Duke Manufacturing Service for long life replacement bulbs.
- **Racks** – Locate oven and proofer racks and removing all packing materials. Install three (3) racks onto the slides in the oven cavity and the remainder into the slots in the proofer cavity.
- **Water Tray** – Locate water drip tray on the front of the proofer. Ensure tray is slid all the way to the hinge side of the proofer door. This will ensure water from the proofer door drips into the tray and not onto the floor.
- **Electrical Connections** – Connect oven to supply lines as shown in figure 1.2 on page 5.
- **Thermal Cutout Reset Button** – Ensure **Thermal Cutout** is set by pressing reset pushbutton on right side of the oven. See figure 1.3 on page 6 for location.
- **Testing**
 1. Turn the oven and proofer power switches to the ON position.
 2. Set the oven thermostat at 177° C, the proofer thermostat at 40° C, and the proofer humidity at 3.
 3. Ensure all of the indicator lights are on.
 4. Ensure that the oven and proofer fans are turning and the lights are on.
 5. Check that the oven fan stops rotating when the oven door is open. Close the door to continue.
 6. Set both timers to 20 minutes and check to make sure they time down and the buzzers work.
 7. Allow the oven and proofer to pre-heat for at least 30 minutes. Ensure the Heat Indicator Lamps periodically turn off.

NOTE: When using timer for less than 10 minutes, you must turn the knob past 10 then set time.

If there are any problems, call the service department at **Duke Manufacturing Company** for assistance before you call a service agency. If the problem is an operator or procedural error you will be liable for the service charges.

Your Duke AHPO Gold Proofer Oven is now ready to operate.



INSTALLATION

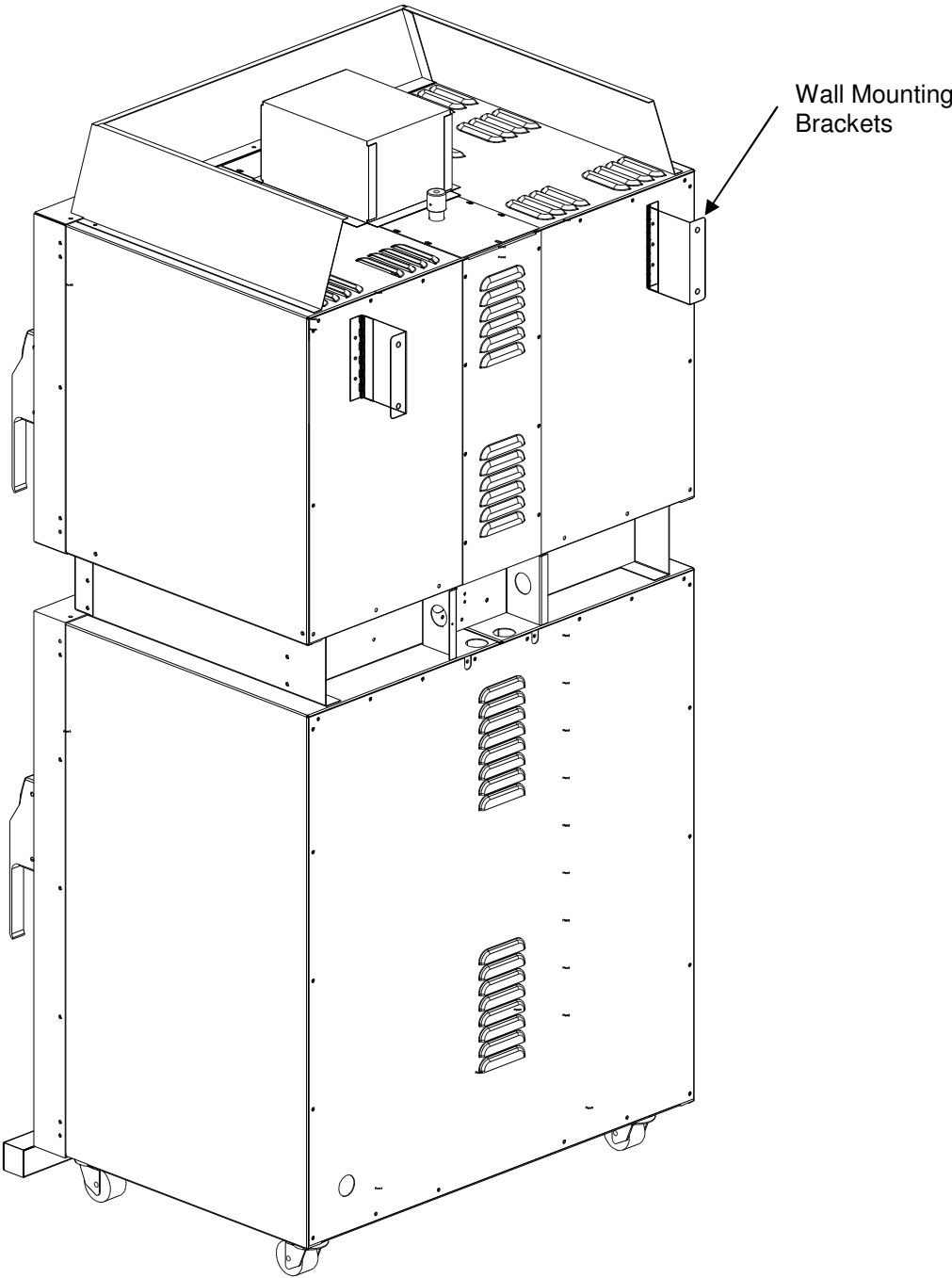
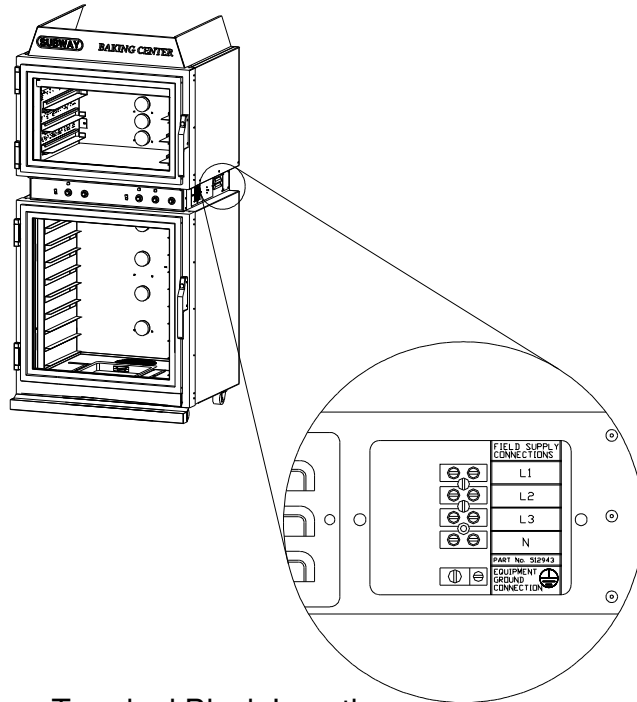


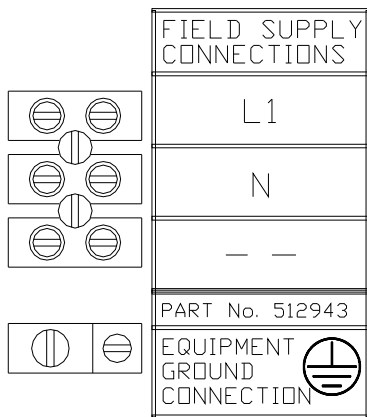
Figure 1.1 Wall Mounting Brackets



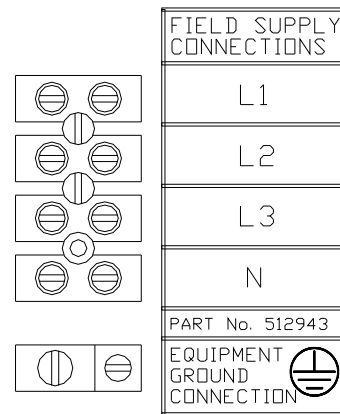
INSTALLATION



Terminal Block Location



Single Phase Terminal Block



Three Phase Terminal Block

Figure 1.2 Electrical Connections



INSTALLATION

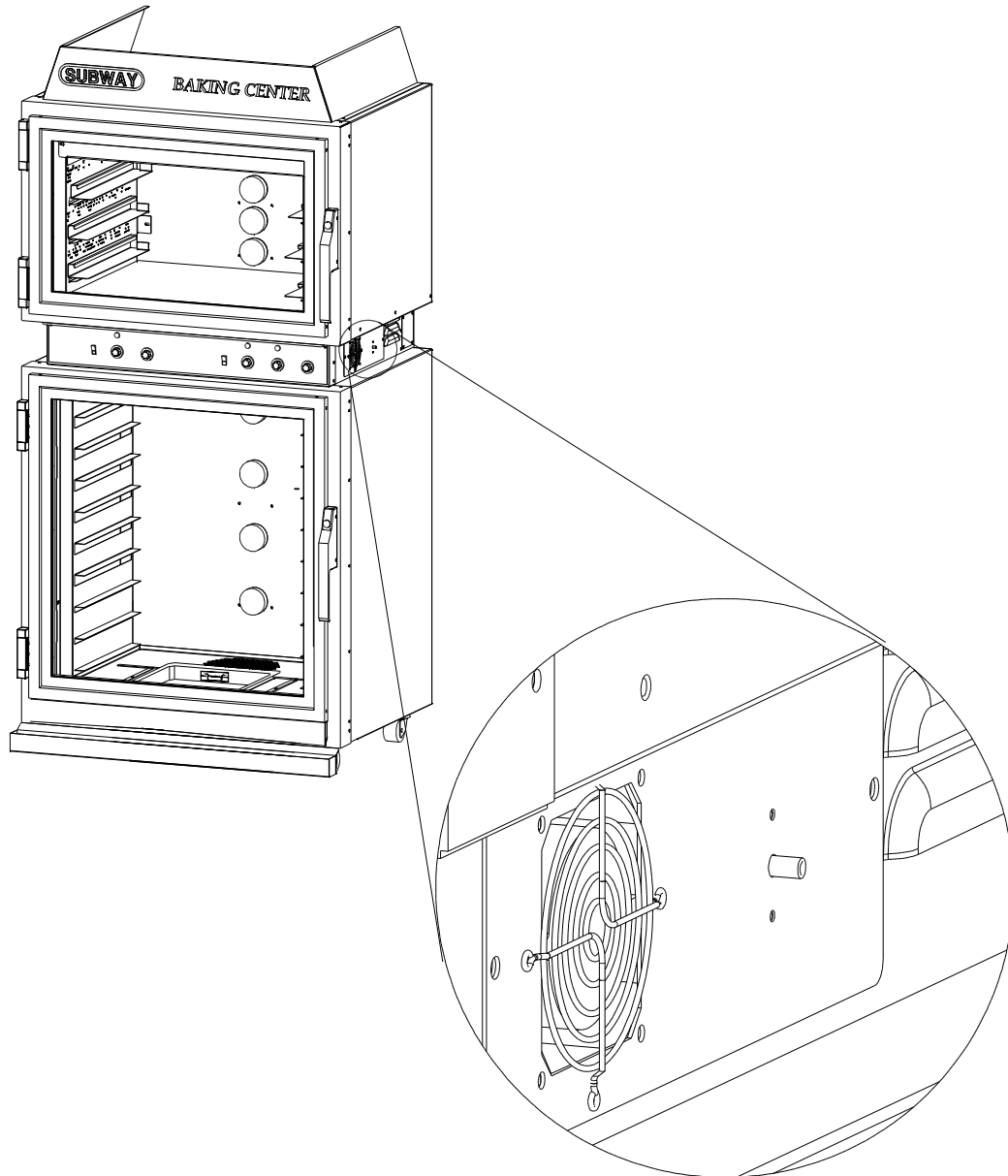


Figure 1.3 Thermal Cutout Reset Button



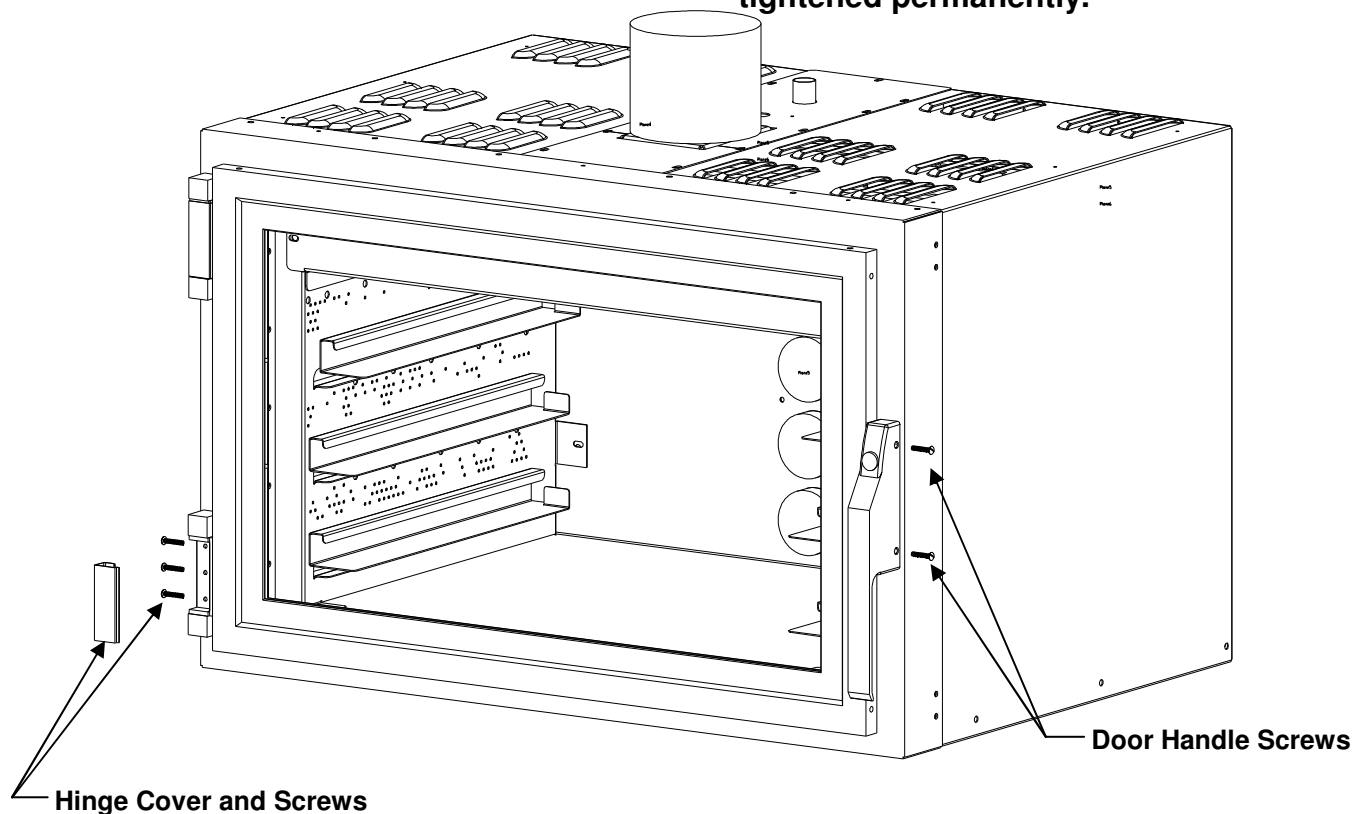
Door Adjustments & Gasket Maintenance

Reversing Oven Door Swing Direction

NOTE

If you reverse the Proofer door you must have the reverse drip channel for the bottom of the door. Call Duke at 800-735-3853 to order the drip channel before you reverse the door swing.

1. Remove cover from hinges to expose the screws that hold the hinge to the front of the oven.
2. Remove the hinge screws and door from the oven.
3. Remove the door handle screws and flip the door handle over and replace it on the door.
4. Remove the six screws on the front of the oven to expose the hinge screw holes for the other swing direction.
5. Use the six screws to fill the unused hinge screw holes on the front of the oven.
6. Remove the latch strike plate from the front of the oven and move it to the other side. Use the screws from the other side to fill the screw holes that are no longer used.
7. Position the door on the front of the oven and tighten the hinge screws. Make sure the door is level with the oven body before the screws are tightened permanently.

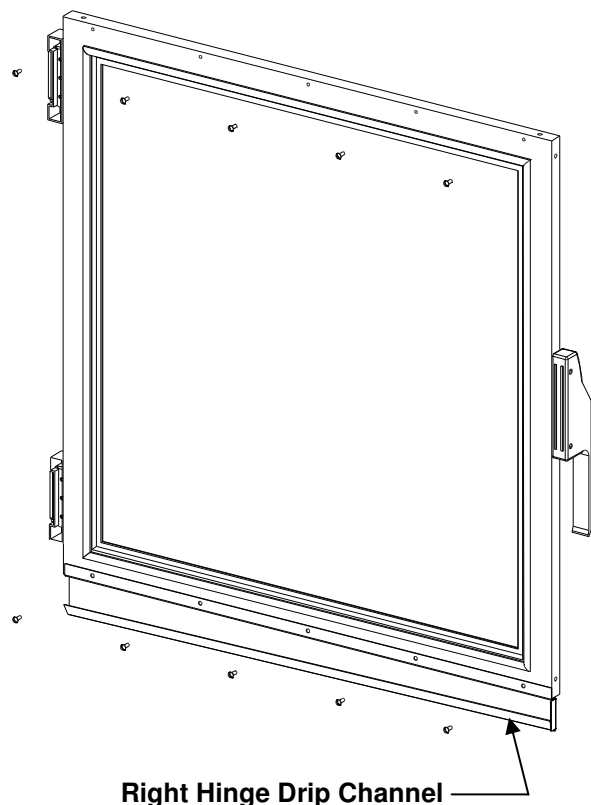
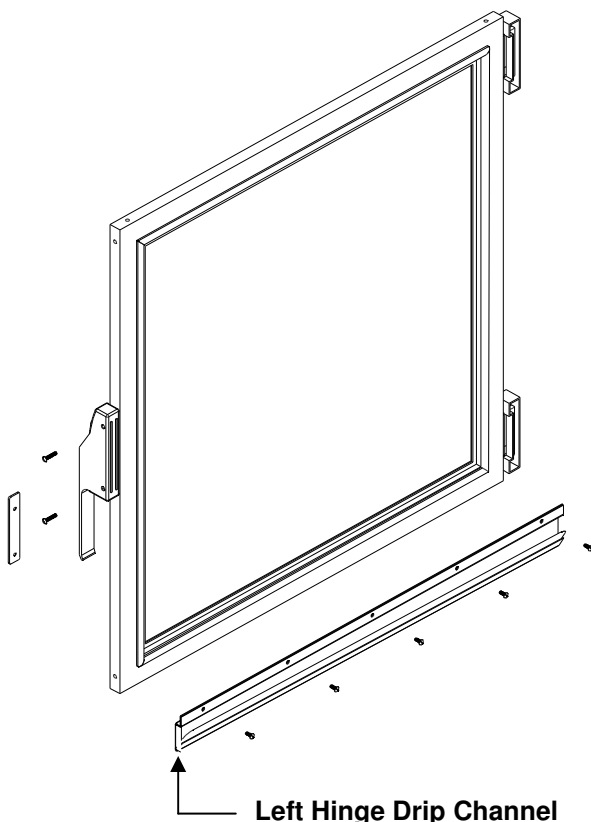


Door Adjustments & Gasket Maintenance

Proofer Drip Channel Reversal

The proofer door has a sloped drip channel on the bottom that directs any water that drips down the door in to the water pan below the door. When the door swing is reversed this drip channel must be replaced with a new channel that has the slope in the proper direction. Contact Duke Manufacturing Service for a new drip channel before changing door swing direction.

1. Follow the directions for removing the door on the last page. When the door is off you can then replace the drip channel.
2. Remove the screws that hold the drip channel on and remove the drip channel. Use the same screws to fill the empty holes after the drip channel is off.
3. Locate the new drip channel on the other end of the door. Make sure that the slope is directed to the hinge side of the door.
4. Fasten the drip channel to the door with the self tapping screws provided with the new drip channel.
5. Follow the directions for mounting the door on the last page.

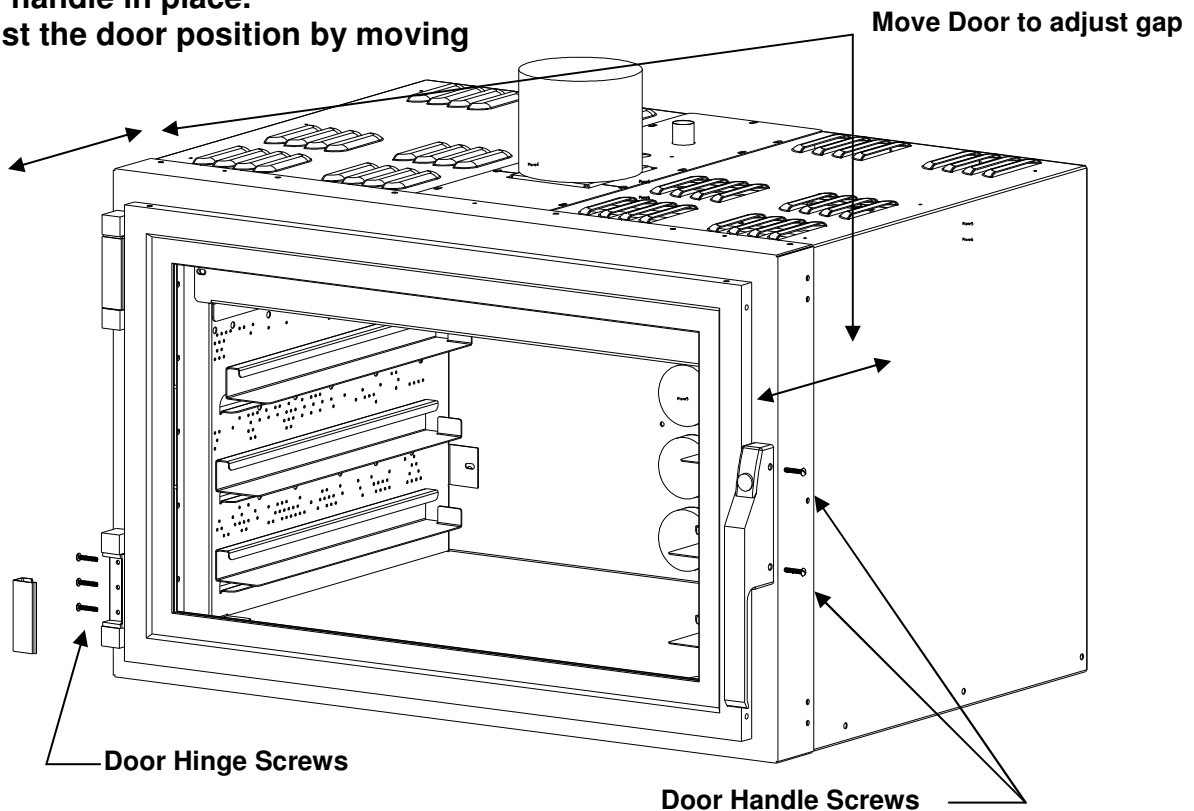


Door Adjustments & Gasket Maintenance

Door Gasket Leak Adjustments

The doors should be checked for leaks every three months. The adjustment can be made by following the instructions below. If the door gasket is damaged, or compressed permanently, it should be replaced. Call Duke Manufacturing Co. at 800-735-3853 to order a new gasket before making adjustments.

1. With the door closed, remove the hinge covers with a screwdriver and loosen the six screws that hold the hinges to the door.
2. Adjust the door position by moving the door frame in or out to seal any gaps between the gasket and the oven front. Be careful not to compress the gasket too much, it will cause the door to bind up on the hinge side.
3. When the door is positioned, tighten the hinge screws.
4. Loosen the two screws that hold the door handle in place.
5. Adjust the door position by moving the door frame in or out to seal any gaps between the gasket and oven front.
6. When the door is positioned, tighten the door handle screws.
7. To check the adjustment, close the door with a dollar bill between the gasket and front of the oven. You should feel resistance when you try to pull the dollar bill out with the door closed. Do this check in several places and readjust the door if necessary.



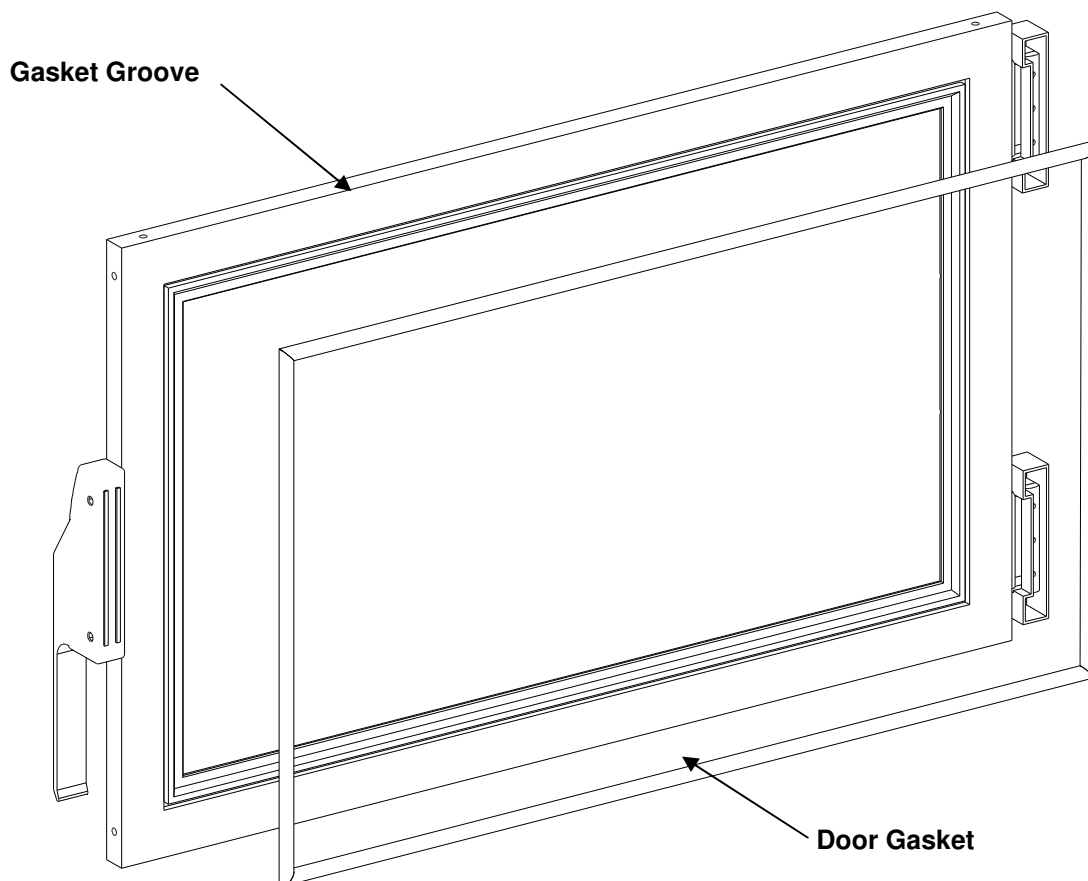
Door Adjustments & Gasket Maintenance

NOTE

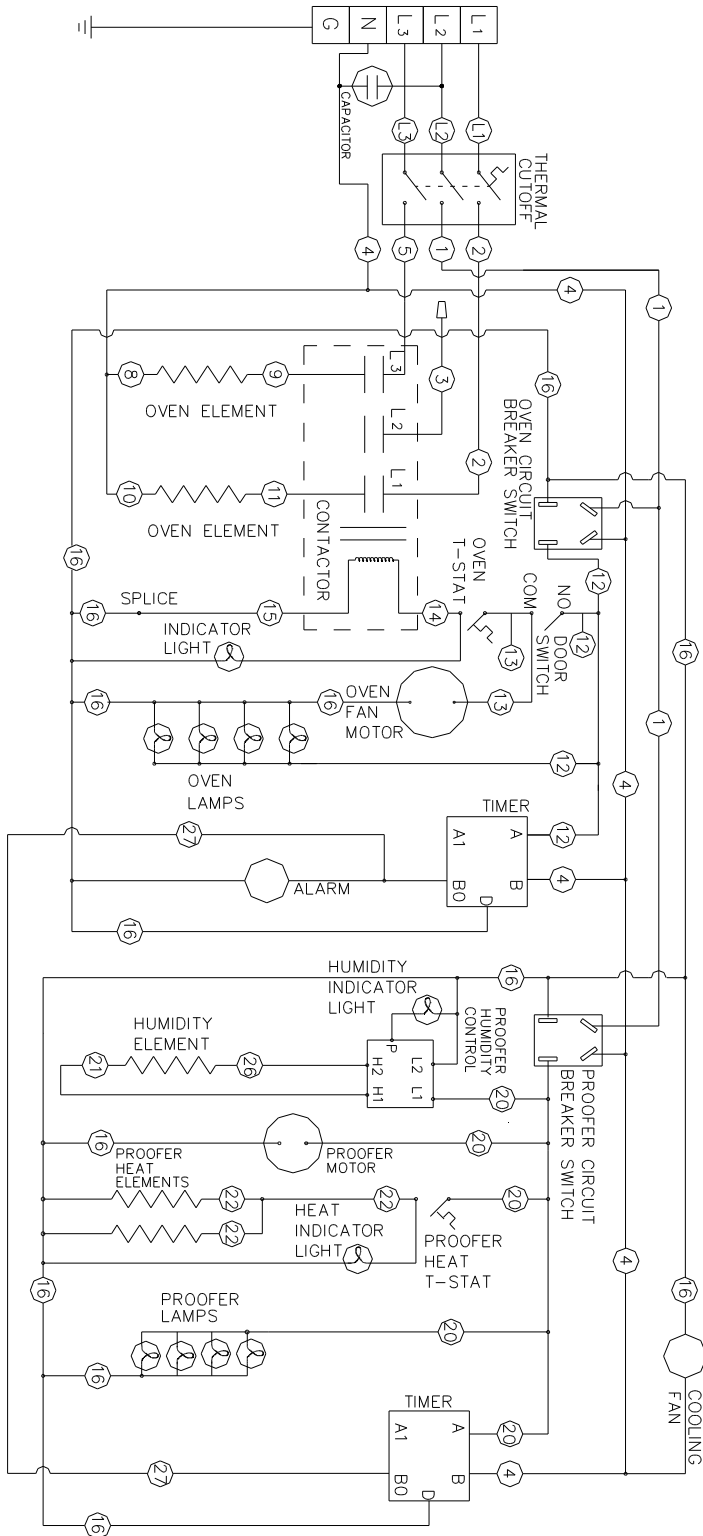
If the door gasket is damaged or overly compressed, it should be replaced.
Call Duke Manufacturing Co. for a new gasket.

Gasket Replacement

1. Remove the old gasket by pulling it out of the groove in the door frame.
2. Clean the groove with a screwdriver or other flat-bladed tool to remove any dirt or gasket pieces.
3. Press the new gasket into the groove. Make sure it is fully seated
4. Check the door adjustment to make sure there are not any leaks or the new gasket is compressed too much, making the door hard to close.

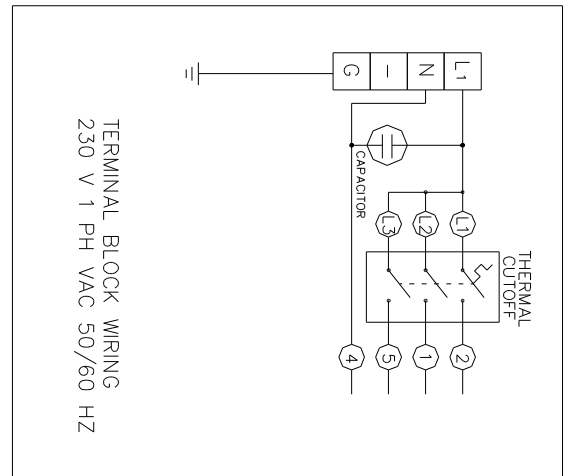


ELECTRICAL SCHEMATICS



DUKE PROOFER OVEN
 "CE" MODELS AHP0-6/18 & EPO-3/9
 230 1PH VAC 50/60 HZ
 230/400 3PH VAC 50/60 HZ

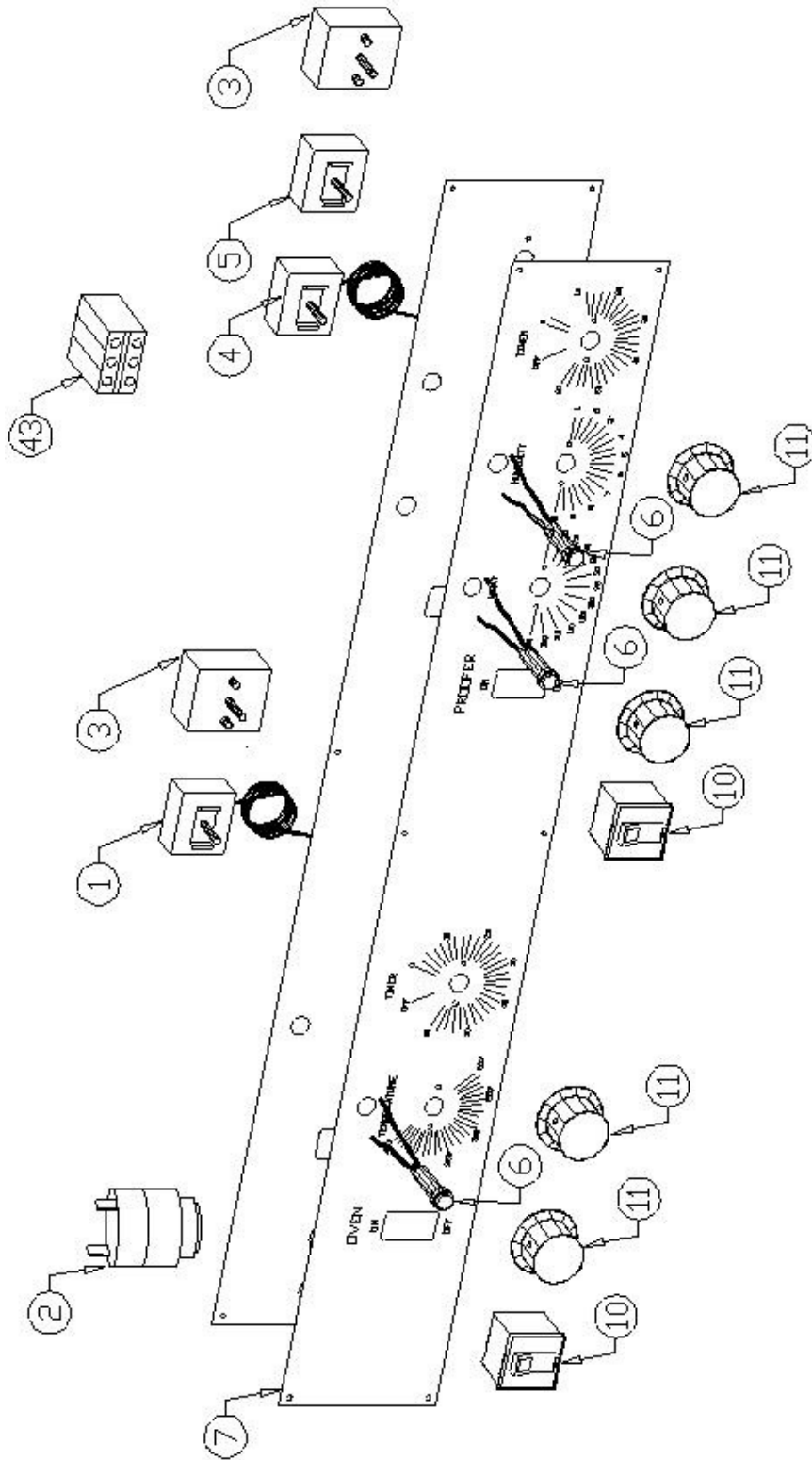
PART NO 512942H



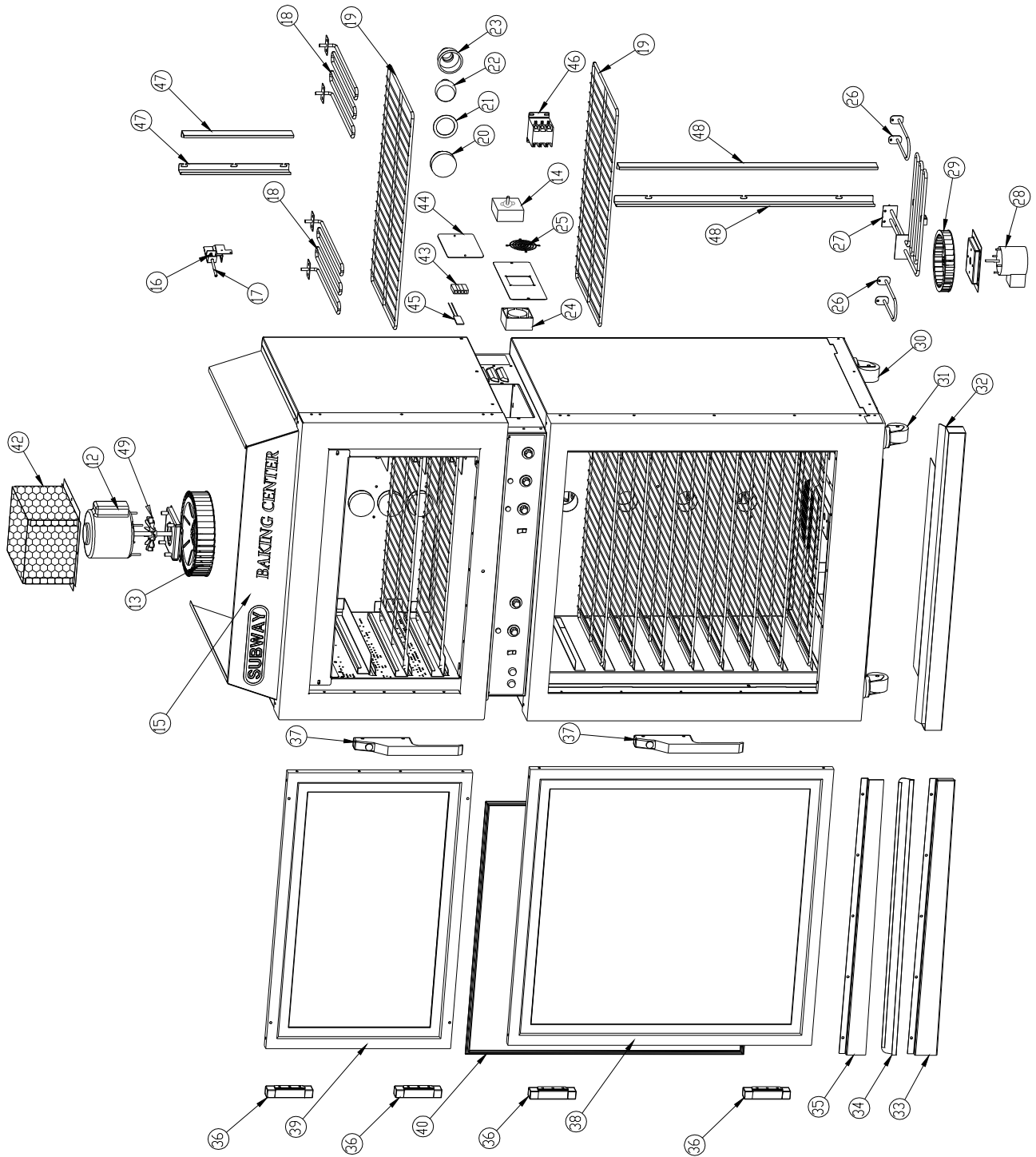
TERMINAL BLOCK WIRING
 230 V 1 PH VAC 50/60 HZ



REPLACEMENT PARTS



REPLACEMENT PARTS



REPLACEMENT PARTS

<u>Item #</u>	<u>Part #</u>	<u>Description</u>
1	512852	Thermostat , Oven
2	502800	Buzzer
3	512972	Timer , 60 minute , 50 Hz
4	512850	Thermostat , proofer
5	512949	Thermostat , humidity
6	512068	Light , indicator
7	502190	Mylar , control panel
10	502805	Switch , power
11	153142	Knob
12	154470	Motor Oven – 230V
13	154039	Blower Wheel , Oven
14	502177	Thermostat , high limit
15	512888	Mylar , Subway
16	512843	Compression spring , door switch assembly
17	512821	Plunger rod , door switch
18	154375	Element , 2.5 KW , oven
19	154547	Wire rack
21	156041	Gasket , lens
22	502341	Bulb , light, 230V, 40 Watt
23	502342	Fixture , Light Assembly
24	512955	Cooling fan
25	512956	Fan guard
26	512849	Element , 250 watt, proofer
27	600103	Element , 450 watt, humidity proofer, (1 Kit)
28	512872	Motor , proofer – 208/240 volt
29	154019	Blower , forward curve , proofer
30	512836	Castor , swivel
31	512835	Castor , locking w/brake
32	512935	Drip pan
33	155977	Housing , drip edge – left hinged door
33	155979	Housing , drip edge – right hinged door
34	155981	Gutter , drip edge
35	155976	Channel , drip edge – left hinged door
35	155978	Channel , drip edge – right hinged door
36	512817	Hinge , door
37	512905	Handle & latch assembly
38	512909	Proofer door assembly
39	512910	Oven door assembly
40	512914	Gasket , proofer door
41	512913	Gasket , oven door
42	502180	Cover, Motor
43	512840	Terminal Block, 3 Pole (230 V single phase)
43	512941	Terminal Block, 4 Pole (230/400V 3 Phase)
44	502195	Cover Access
45	156350	Capacitor, RFI Filter
46	512833	Contact, 30 A
47	502744	Guard, Oven Light
48	502475	Guard, Proofer Light
49	502338	Fan, Motor



