



Your Solutions Partner

## Illustrated Parts List

### ***ELECTRIC OPEN WELL FOOD WARMERS***

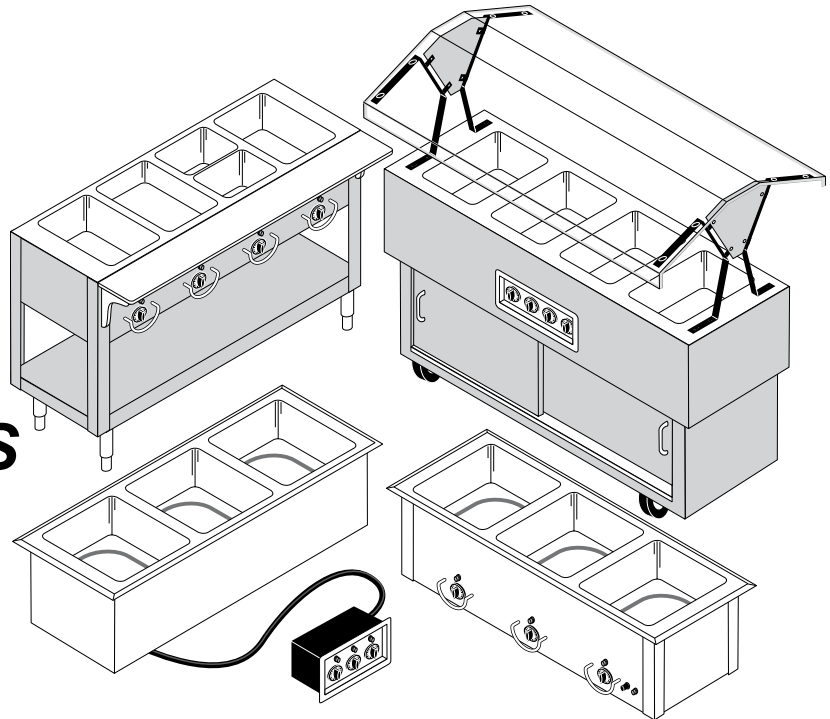
#### **Aerohot**

**E302 – E305**

**EP302 – EP305**

**ADI1E – ADI5E**

**ASI1E – ASI5E**



#### **Economate**

**OPAH2 – OPAH4**

---

*This manual is Copyright © 2021 Duke Manufacturing Company. All rights reserved.  
Reproduction without written permission is prohibited. Duke is a registered  
trademark of the Duke Manufacturing Company.*

## **Duke Manufacturing Company**

**2305 N. Broadway  
St. Louis, MO 63102  
Phone: 314-231-1130  
Toll Free: 1-800-735-3853  
Fax: 314-231-5074  
[www.dukemfg.com](http://www.dukemfg.com)**



## TABLE OF CONTENTS

How to Determine Manufacture Date from Duke Equipment Serial Numbers .....	2
AEROHOT .....	4
Table: PL-1 Aerohot .....	4
Figure: PL-1 Aerohot E and EP Models.....	5
Figure: PL-1 Aerohot Drop-In Models ADI 1E - 5E .....	6
Figure: PL-1 Aerohot Slide-In Models ASI 1E - 5E .....	7
ECONOMATE .....	8
Table: PL-2 Economate OPAH2 – OPAH4 .....	8
Figure: PL-2 Economate OPAH2 – OPAH4.....	9
Types of Hot Food Units and Sample Label .....	10

## AEROHOT ELECTRIC OPEN WELL FOOD WARMERS – PARTS LIST

ITEM	QTY	PART #	DESCRIPTION
1	AR	<a href="#">5580-2</a>	120V Infinite Switch, Bracket, Screws & Palnut <i>(Except ASI Models)</i>
	AR	<a href="#">5578-2</a>	208V Infinite Switch, Bracket, Screws & Palnut <i>(Except ASI Models)</i>
	AR	<a href="#">5579-2</a>	240V Infinite Switch, Bracket, Screws & Palnut <i>(Except ASI Models)</i>
	AR	<a href="#">212081</a>	Electric Thermostat <i>(ASI Models)</i>
<i>(See "Types of Hot Food Units" &amp; "Sample Label" on following pages, to help determine Infinite Switch vs Thermostat)</i>			
2	AR	<a href="#">223592</a>	Infinite Switch Knob
	AR	<a href="#">223590</a>	Thermostat Knob
3	AR	<a href="#">215550</a>	Pilot Light, Amber <i>(115V)</i>
	1	<a href="#">215555</a>	Pilot Light, Amber <i>(230V)</i>
4	AR	<a href="#">214405</a>	Knob Guard
5	1	<a href="#">212113</a>	Switch, Toggle, 1 Phase,
	1	<a href="#">212001</a>	Switch, Toggle, 1 Phase, 40A
	1	<a href="#">212100</a>	Switch, Toggle. 3 Pole, 3 Phase, 220V
6	AR	<a href="#">212942</a>	Element, Dome, 118V, 500 Watt
	AR	<a href="#">212943</a>	Element, Dome, 118V, 750 Watt
	AR	<a href="#">212944</a>	Element, Dome, 208V, 750 Watt
	AR	<a href="#">212945</a>	Element, Dome, 236V, 750 Watt
	AR	<a href="#">212946</a>	Element, Dome, 208V, 1000 Watt
	AR	<a href="#">212947</a>	Element, Dome, 236V, 1000 Watt
	AR	<a href="#">212948</a>	Element, Dome, 115V, 1000 Watt
	AR	<a href="#">212409</a>	Element, Dome, 208V, 500 Watt
	AR	<a href="#">212947</a>	Element, Dome, 236V, 1000 Watt
	AR	<a href="#">212410</a>	Element, Dome, 236V, 500 Watt
	AR	<a href="#">230298</a>	Sealed Well Element Kit-120V, 470W <i>(Ref-222928 Element)</i>
	AR	<a href="#">230299</a>	Sealed Well Element Kit-120V, 780W <i>(Ref-222932 Element)</i>
AR	<a href="#">230300</a>	Sealed Well Element Kit-208V, 750W <i>(Ref-222933 Element)</i>	
AR	<a href="#">230301</a>	Sealed Well Element Kit-208/240V, 900/1200W <i>(Ref-222934 Element)</i>	
AR	<a href="#">230302</a>	Sealed Well Element Kit-240V, 750W <i>(Ref-222935 Element)</i>	
7	AR	<a href="#">06-5013-0032</a>	Element Support Clip (Dome Elements, Ref- <a href="#">2321061152</a> )
8	1	<a href="#">215301</a>	Poly Carving Board, 1/2" x 7" x 30-3/8" <i>(2 Section, E &amp; EP Models)</i>
	1	<a href="#">215302</a>	Poly Carving Board, 1/2" x 7" x 44-3/8" <i>(3 Section, E &amp; EP Models)</i>
	1	<a href="#">215303</a>	Poly Carving Board, 1/2" x 7" x 58-3/8" <i>(4 section, E &amp; EP Models)</i>
	1	<a href="#">215304</a>	Poly Carving Board, 1/2" x 7" x 72-3/8" <i>(5 section, E &amp; EP Models)</i>
9	1	<a href="#">230012</a>	Shelf, Carving Board <i>(2 Section, E &amp; EP Models)</i>
	1	<a href="#">230013</a>	Shelf, Carving Board <i>(3 Section, E &amp; EP Models)</i>
	1	<a href="#">230014</a>	Shelf, Carving Board <i>(4 Section, E &amp; EP Models)</i>
	1	<a href="#">230015</a>	Shelf, Carving Board <i>(5 Section, E &amp; EP Models)</i>
10	AR	<a href="#">215574</a>	Mounting Bracket, 2, 3 & 4 Section Carving Board <i>(E &amp; EP Models)</i>
	AR	<a href="#">215575</a>	Mounting Bracket, 5 Section Carving Board <i>(E &amp; EP Models)</i>
11	4	<a href="#">215587</a>	Kit, Legs, Plastic Feet & Leg Angles <i>(E Models)</i>
	1	<a href="#">FCA-KIT-NEW</a>	Kit, Swivel Casters & Black Handle <i>(EP Models)</i>
12	1	<a href="#">214825</a>	Black Handle 6" <i>(EP Models)</i>
Not Shown	AR	<a href="#">154048</a>	Strainer, Drain

**Table: PL-1 Aerohot**

## AEROHOT E AND EP MODELS

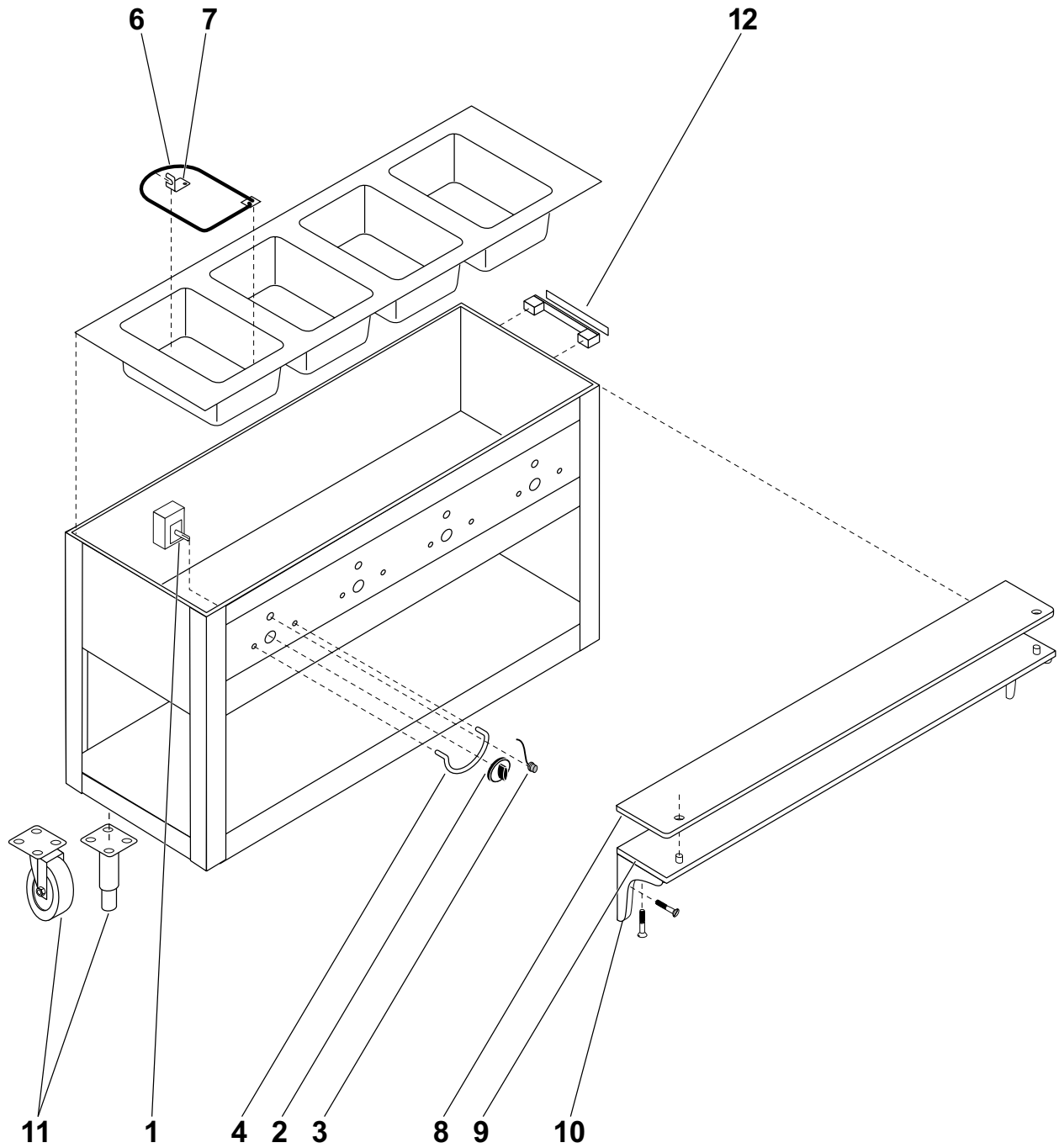


Figure: PL-1 Aerohot



### AEROHOT SLIDE-IN MODELS (ASI-1E THROUGH ASI-5E)

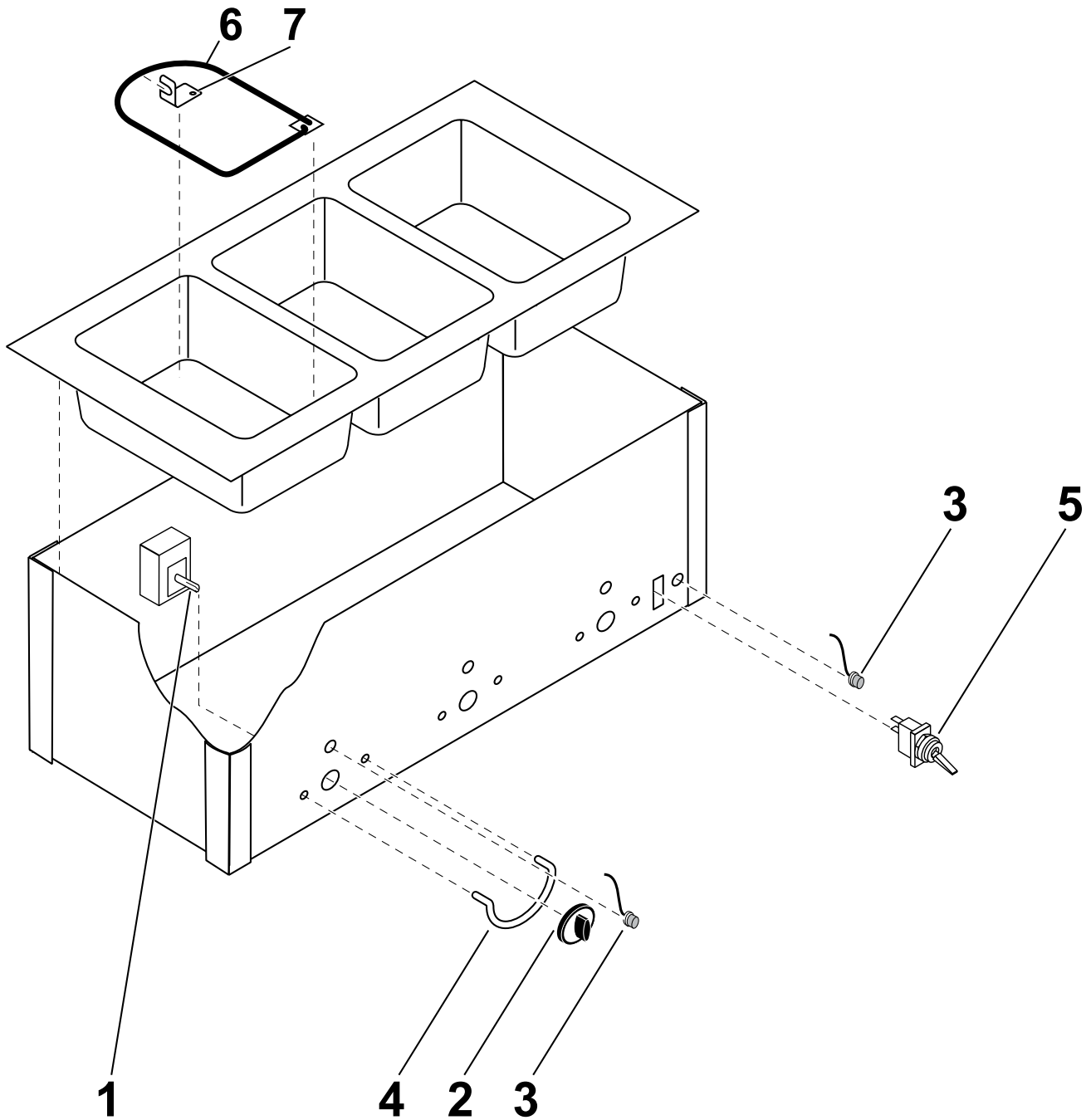


Figure: PL-1 Aerohot Slide-In

## ECONOMATE ELECTRIC OPEN WELL FOOD WARMERS – PARTS LIST

ITEM	QUANTITY	PART NUMBER	DESCRIPTION
1	AR	<a href="#">5580-2</a>	120V Infinite Switch, Bracket, Screws & Palnut
	AR	<a href="#">5578-2</a>	208V Infinite Switch, Bracket, Screws & Palnut
	AR	<a href="#">5579-2</a>	240V Infinite Switch, Bracket, Screws & Palnut
2	AR	<a href="#">223592</a>	Infinite Swtch Knob
3	AR	<a href="#">212942</a>	Element, Dome, 118V, 500 Watt
	AR	<a href="#">212943</a>	Element, Dome, 118V, 750 Watt
	AR	<a href="#">212944</a>	Element, Dome, 208V, 750 Watt
	AR	<a href="#">212945</a>	Element, Dome, 236V, 750 Watt
	AR	<a href="#">212948</a>	Element, Dome, 115V, 1000 Watt
	AR	<a href="#">212409</a>	Element, Dome, 208V, 500 Watt
	AR	<a href="#">212947</a>	Element, Dome, 236V, 1000 Watt
	AR	<a href="#">212410</a>	Element, Dome, 236V, 500 Watt
	4	AR	<a href="#">06-5013-0032</a>
5	1	<a href="#">FCA-KIT-NEW</a>	Kit, Swivel Casters & Black Handle
6	1	213810	Canopy 30 3/8"
	1	213811	Canopy 44 3/8"
	1	<a href="#">213812</a>	Canopy 58 3/8"
7	2	<a href="#">230374</a>	Canopy Bracket LH
8	2	<a href="#">230375</a>	Canopy Bracket RH
9	1	<a href="#">230236</a>	Switch Control Panel – 2 pan unit
	1	<a href="#">230237</a>	Switch Control Panel – 3 pan unit
	1	230238	Switch Control Panel – 4 pan unit
Not Shown	AR	<a href="#">GL-LINER-ELEC-2</a>	Galvanized Well Liner
Not Shown	AR	<a href="#">SS-LINER-ELEC-2</a>	Stainless Steel Well Liner

**Table: PL-2 Economate**

# ECONOMATE

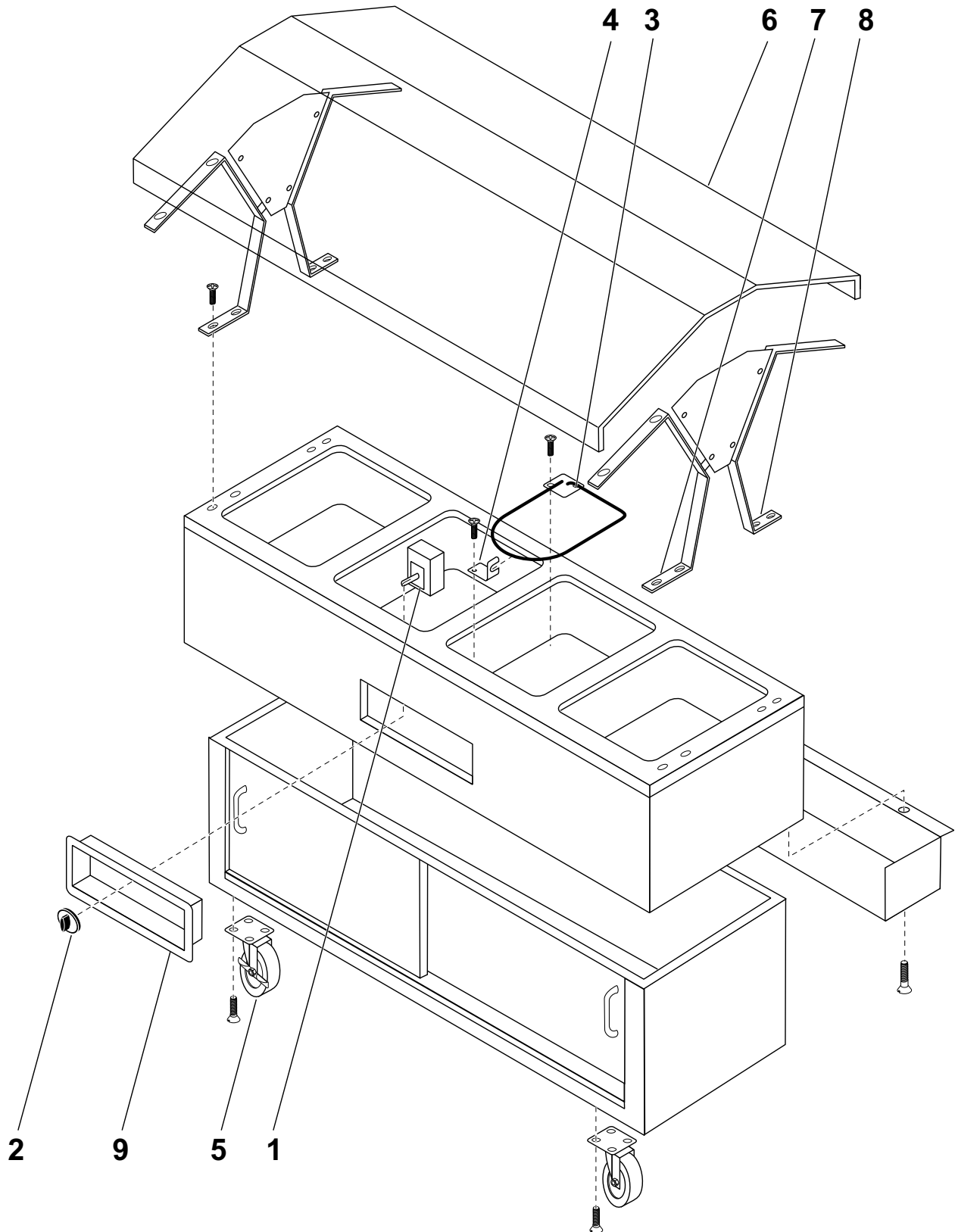


Figure: PL-2 Economate

**TYPES FOR HOT FOOD UNITS**

	ELEMENTS	WIRING	CONTROLS	PILOTS
<b>Element Types:</b>				
Figure 8	F	--	--	--
Loop	C	--	--	--
“U” Shape	U	--	--	--
Dome	D	--	--	--
“W” Shaped APW	A	--	--	--
“W” Shaped C-Top Food WRM (750)	W	--	--	--
Serpentine C-Top Food WRM (1200)	S	--	--	--
Helical Super Serve (2000)	H	--	--	--
Duke (98) Sealed Well Element	I	--	--	--
Wire Harness W/ Connectors	--	C	--	--
None	--	O	--	--
<b>Control Types:</b>				
KA or EA Thermostats	--	--	K	--
D8 Thermostats (480)	--	--	D	--
Infinite Switch	--	--	I	--
APW T-Stat	--	--	A	--
Eliwell T-Stat (Digital)	--	--	E	--
EGO Thermostat	--	--	G	--
Pilot Lamps (1/2” Hole)	--	--	--	A
None	--	--	--	O
In T-Stat	--	--	--	I
In Rocker Switch	--	--	--	S

**SAMPLE LABEL**



- Thurmaduke Sealed Well Type – ICKA
- Thurmaduke Exposed Element Type – DCKA
- Aerohot Sealed Well Type – ICIA
- Aerohot Exposed Element Type – DCIO

Notes:



Your Solutions Partner

## Duke Manufacturing Company

2305 N. Broadway  
St. Louis, MO 63102  
Phone: 314-231-1130  
Toll Free: 1-800-735-3853  
Fax: 314-231-5074  
[www.dukemfg.com](http://www.dukemfg.com)