



Illustrated Parts List

Your Solutions Partner **ICE BATH BREADING TABLE**

MODEL:

BSTA-120-US-ERGO

BSTA-230-US-ERGO

BSTA-120-C

BSTA-230-C



CAUTION: Please read this manual completely before attempting to install, operate or service this equipment

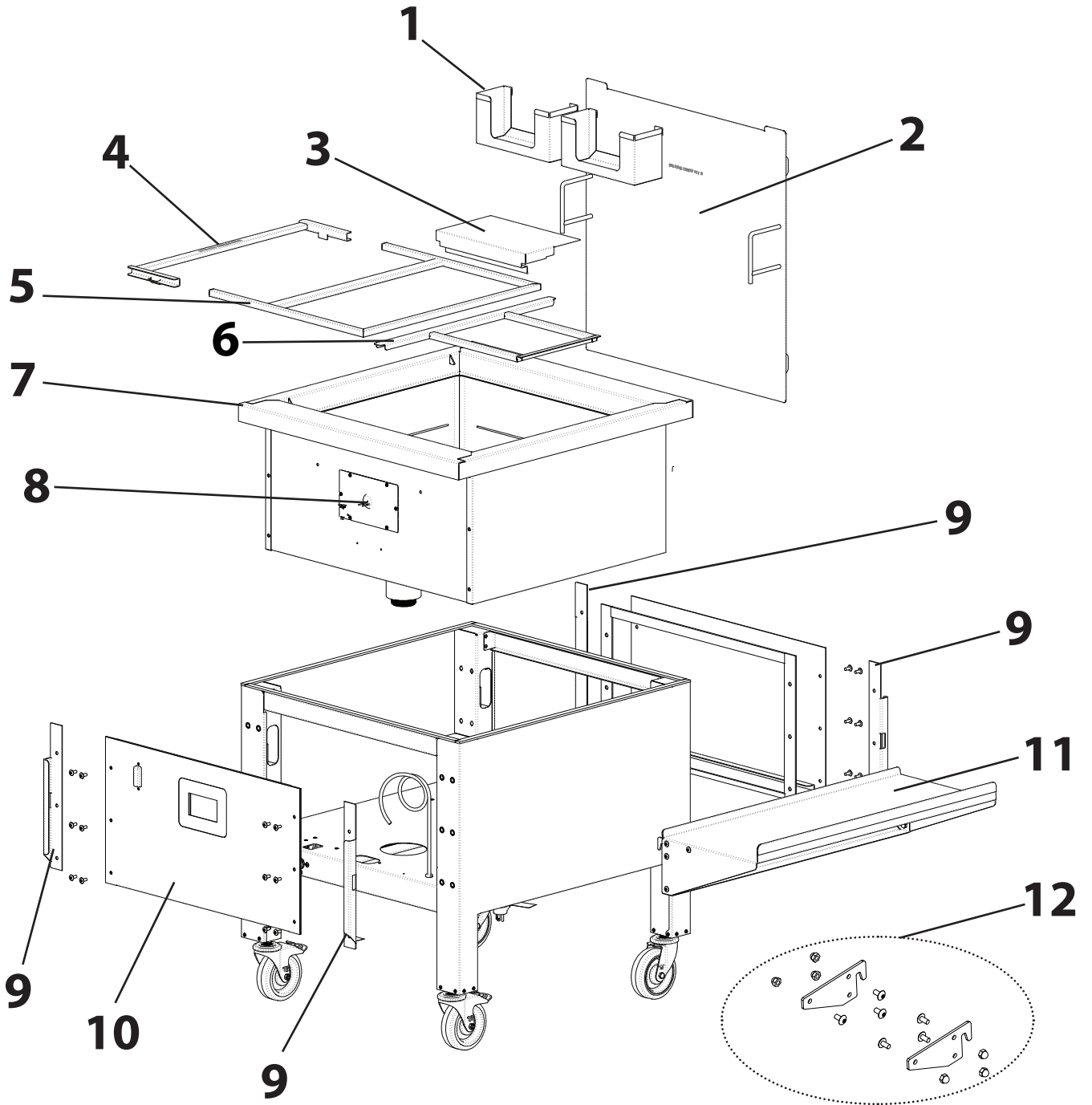
*This manual is Copyright © 2025 Duke Manufacturing Co. All rights reserved.
Reproduction without written permission is prohibited. Duke is a registered
trademark of the Duke Manufacturing Co.*



TABLE OF CONTENTS

How To Determine Mfg Date From Duke Serial Numbers	3
Ice Bath Breeding Table - Top Level Assembly	4
Ice Bath Breeding Table - Body Assembly	6
Ice Bath Breeding Table - Wire Diagram	8

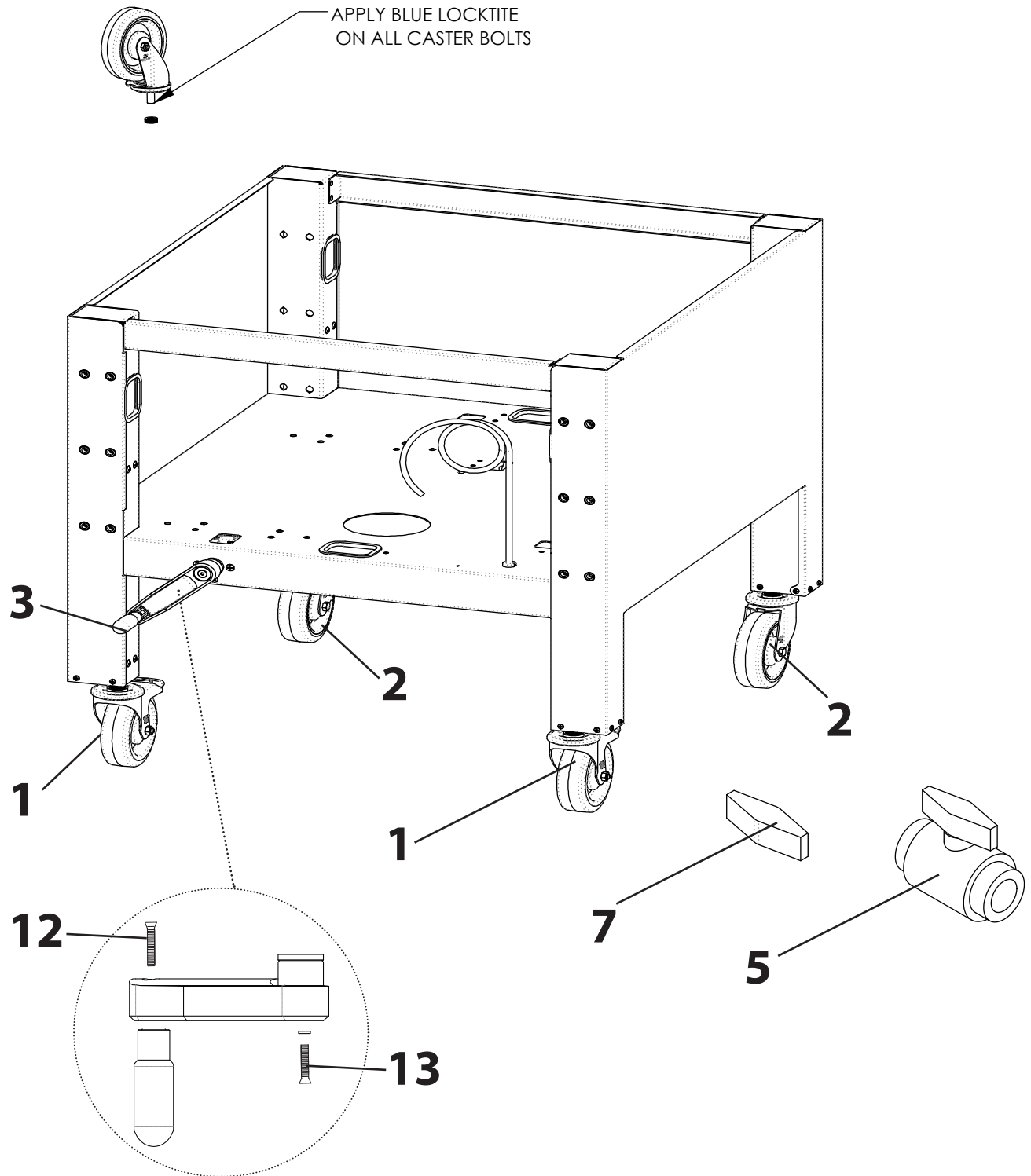
ICE BATH BREADING TABLE - TOP LEVEL ASSEMBLY



ICE BATH BREEDING TABLE - TOP LEVEL ASSEMBLY

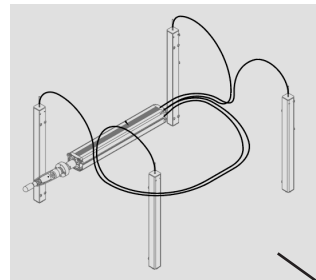
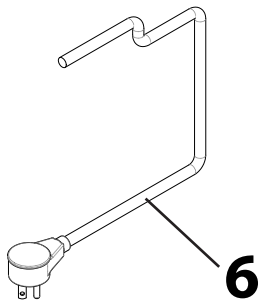
Item	Part #	Description	Qty
1	E08068K	Glove Holder Breeding Table Qty 2	2
2	E080147K	Cover Bowl Ergo Breeding Table	1
3	520785KS	Shelf Transfer Ergo Breeding Table Qty 1	1
4	520838K	Anti-Float Frame Slide Breeding Table	1
5	E080172K	Anti-Float Frame Breeding Table	1
6	E080165K	Pan Organizer Breeding Table	1
7	520826K	CFA Sink Bowl Service Kit	1
8	514911K	CFA Rtd Replacement Service Kit	1
9	520989K	Shelf Bracket Service Kit Cfa Breeding Table (Left And Right Included) <i>Began At SN. 03239549</i>	1
10	520815K	Control Plate Assemb Breeding Table	1
11	520767K	Shelf Side Ergo Breeding Table	1
12	520662K	Bracket Replacement, Ergo Shelf Breeding Station	1

ICE BATH BREADING TABLE - BODY ASSEMBLY

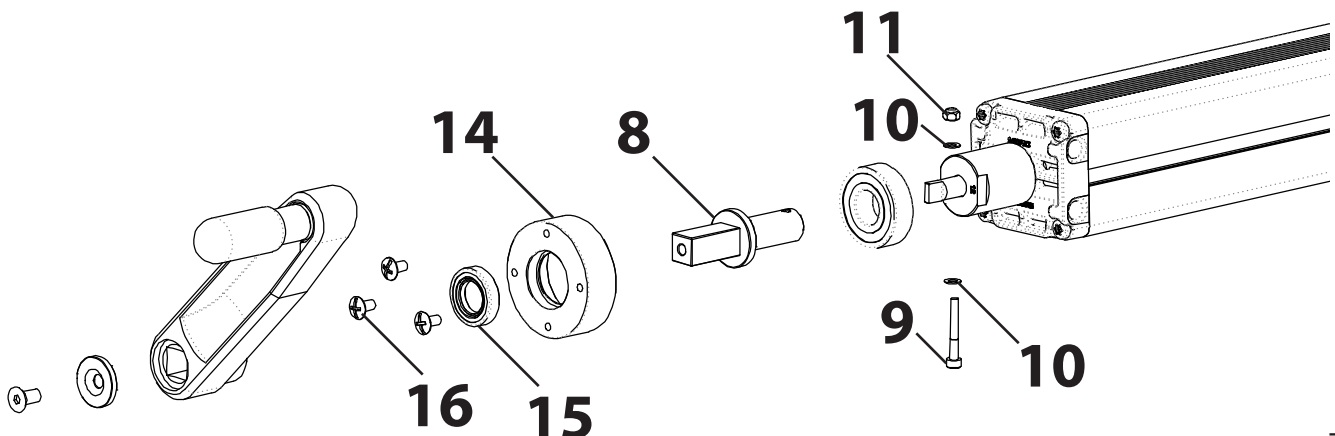


ICE BATH BREADING TABLE - BODY ASSEMBLY

Item	Part #	Description	Qty
1	524925K	CFA Caster W/Brake Service Kit	2
2	524987K	CFA Caster W/Out Brake Service Kit	1
3	524985K	CFA Lift Handle Service Kit	1
4	524855K	CFA Hydraulic Replacement Service Kit	1
5	523131K	CFA Ball Valve Service Kit	1
6	524535K	CFA Power Cord Service Kit	1
7	520870K	CFA Ball Valve Handle Kit	1
8	520784	Adaptor, Ergoswiss To Square Shaft	1
9	524996	Screw, M4 X 0.7 - 30 Mm, Shf-M	1
10	524998	Washer, 4mm - Prf, 4 X 8 X 0.5mm S.s.	2
11	524997	Locknut, M4-0.7 - Hfy, S.s. Nylon Insert	1
12	523229	Screw, 18-8 Stainless Steel Hex Drive (Apply RED Loctite to threads before installing)	1
13	524992	Screw, Stainless Steel 1/4"-20 Thread Size, 1/2" Long	1
14	520632	Carrier, Seal CFA-Bs	1
15	524989	Crank Seal - Ergo Breeding Station	1
16	213028	Screw, 10-24x3/8" Pthms S/S	3



DO NOT DISASSEMBLE
CFA HYDRAULIC REPL SERVICE KIT
The complete hydraulic system is not serviceable, do not loosen or remove the hydraulic lines from the main assembly or legs

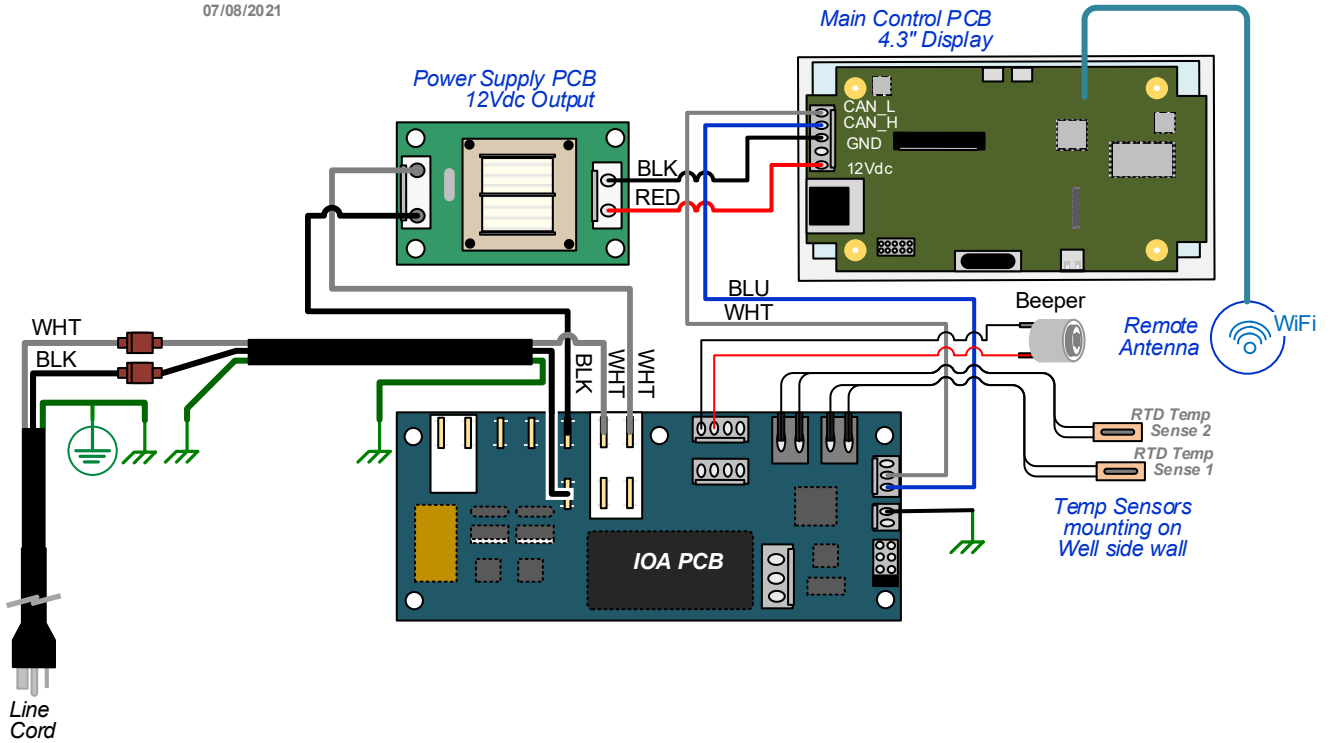


WIRING DIAGRAM

ELC0453

Wire Diagram – CFA Breeding Station

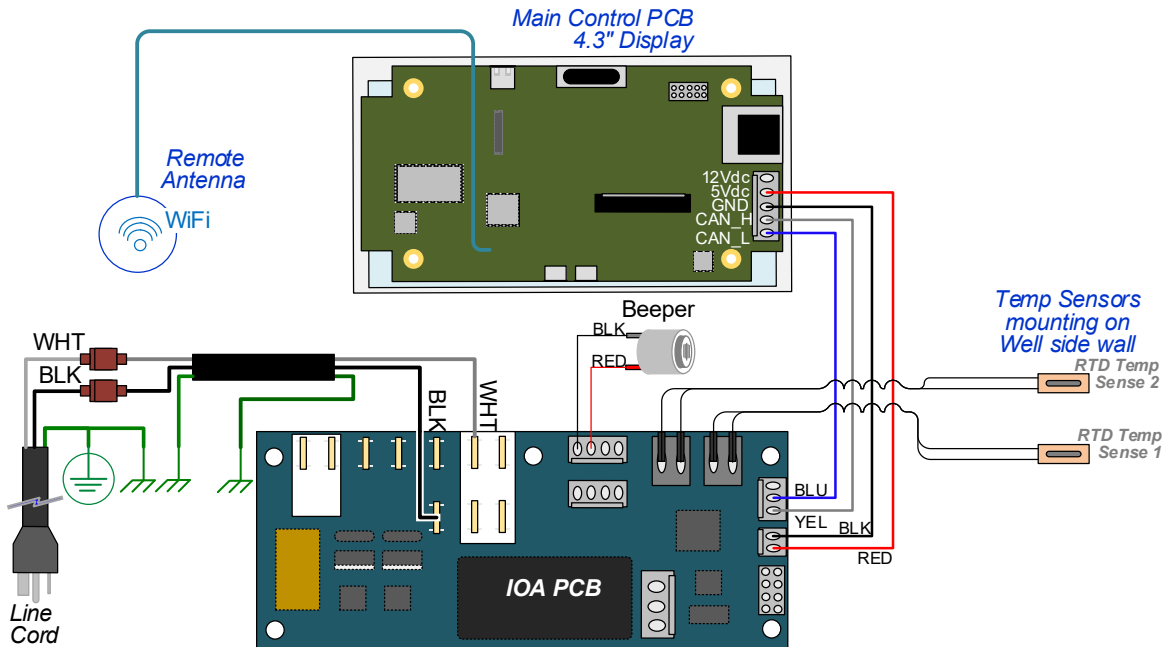
07/08/2021



ELC0708 WIRE DIAGRAM STARTING SERIAL # 04226602

ELC0708 Rev. C 4/20/2022

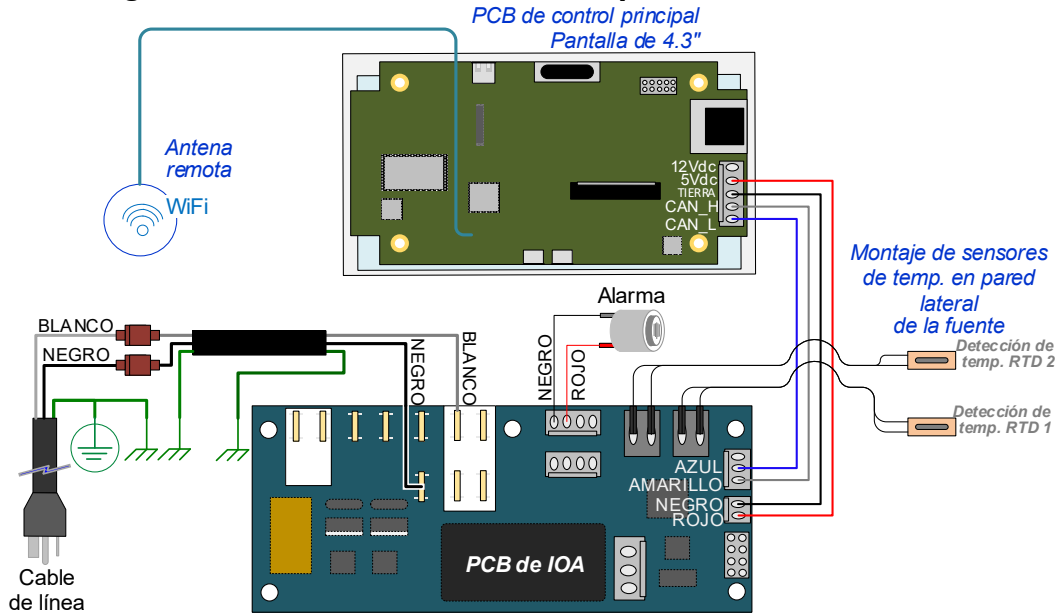
Wire Diagram – CFA Breeding Station



WIRING DIAGRAM

ELC0708 Rev. C 4/20/2022

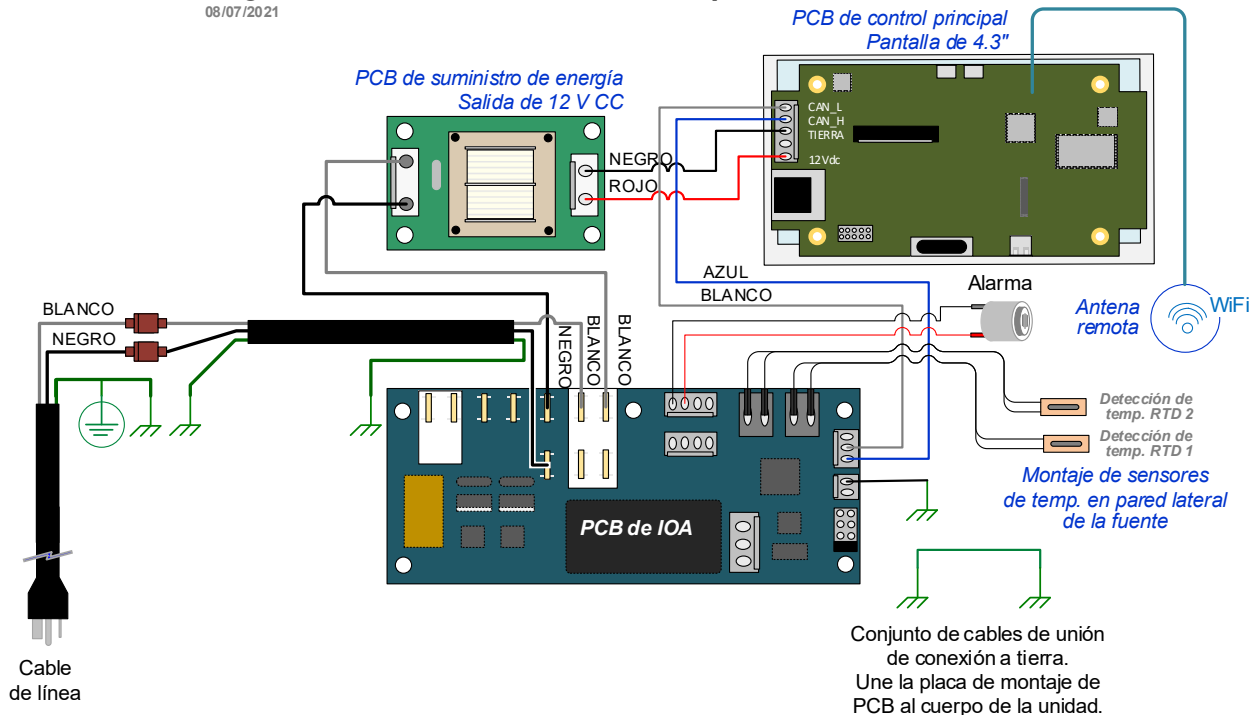
Diagrama de cableado: Estación empanizadora CFA



ELC0453

Diagrama de cableado: Estación empanizadora CFA

08/07/2021



NOTES



Duke Manufacturing Co.
2305 N. Broadway
St. Louis, MO 63102

Phone: 314-231-1130
Toll Free: 1-800-735-3853
Fax: 314-231-5074

www.dukemfg.com